

US00D606380S

(12) **United States Design Patent**
Robitaille

(10) **Patent No.:** **US D606,380 S**

(45) **Date of Patent:** **** Dec. 22, 2009**

(54) **BOX HANDLE CUTTER**

(75) Inventor: **Lionel Laurance Robitaille**, Surrey
(CA)

(73) Assignee: **Merin Services Limited** (CA)

(**) Term: **14 Years**

(21) Appl. No.: **29/322,216**

(22) Filed: **Jul. 30, 2008**

(30) **Foreign Application Priority Data**

Jul. 21, 2008 (CA) 126953

(51) **LOC (9) Cl.** **08-03**

(52) **U.S. Cl.** **D8/98**

(58) **Field of Classification Search** D8/14,
D8/51, 98; 30/305, 315.316, 2, 358, 359,
30/360

See application file for complete search history.

(56) **References Cited**

U.S. PATENT DOCUMENTS

4,277,891 A * 7/1981 Dick 30/316
4,607,553 A * 8/1986 Hartzell 83/164
D397,277 S * 8/1998 Gibbs, Jr. D7/696
5,806,190 A 9/1998 Robitaille
6,874,237 B2 4/2005 Robitaille

* cited by examiner

Primary Examiner—Philip S Hyder

(74) *Attorney, Agent, or Firm*—Fitch, Even, Tabin &
Flannery

(57) **CLAIM**

The ornamental design for a box handle cutter, as shown.

DESCRIPTION

FIG. 1 is a front elevation view of the design of the box handle cutter in the retracted position;

FIG. 2 is a rear elevation view thereof;

FIG. 3 is a right side elevation view thereof;

FIG. 4 is a left side elevation view thereof;

FIG. 5 is a top plan view thereof;

FIG. 6 is a bottom view thereof;

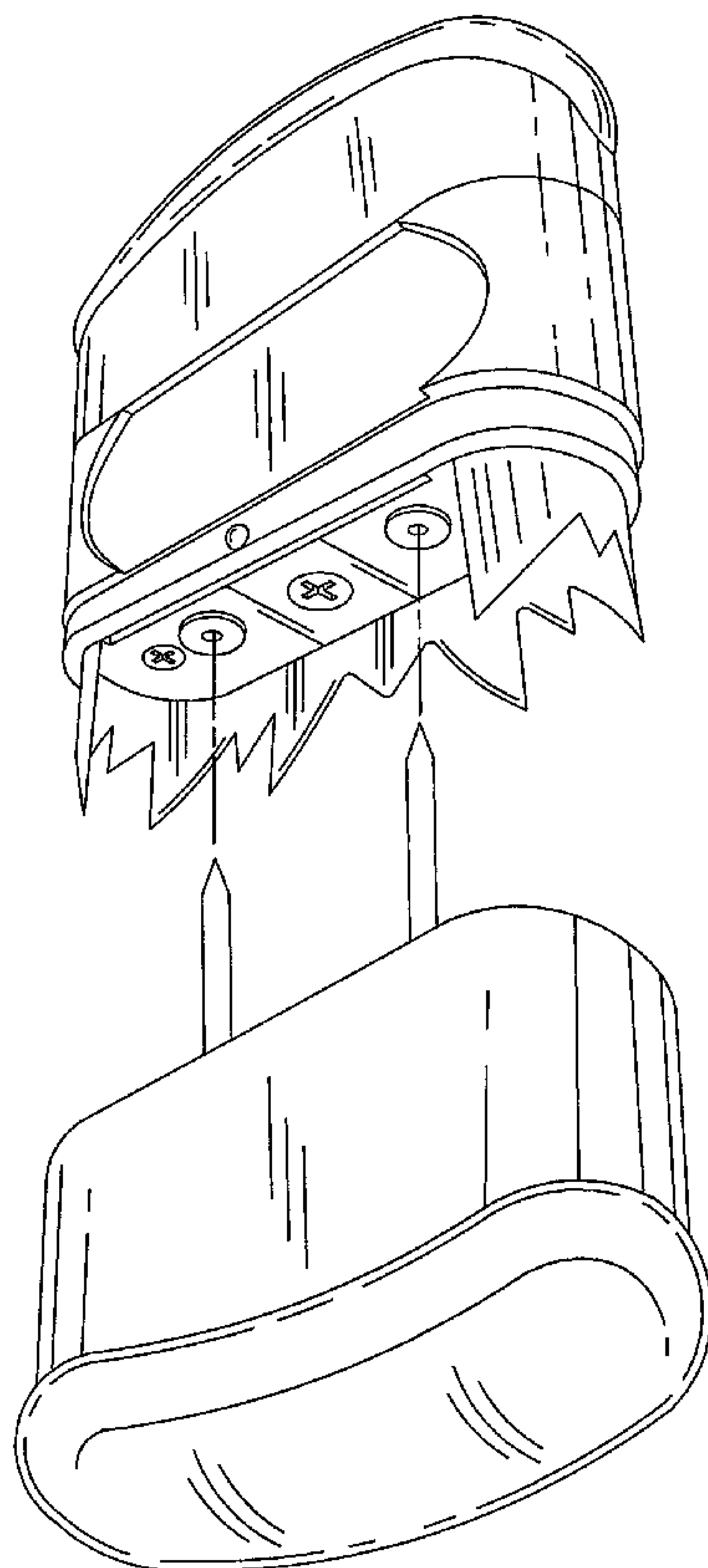
FIG. 7 is a left front perspective view thereof;

FIG. 8 is a front left perspective view from above of the box handle cutter in a first opened and extended position;

FIG. 9 is a left rear perspective view from below of the box handle cutter in a second opened and extended position; and,

FIG. 10 is a right front perspective view from below of the box handle cutter in the second opened and extended position.

1 Claim, 6 Drawing Sheets



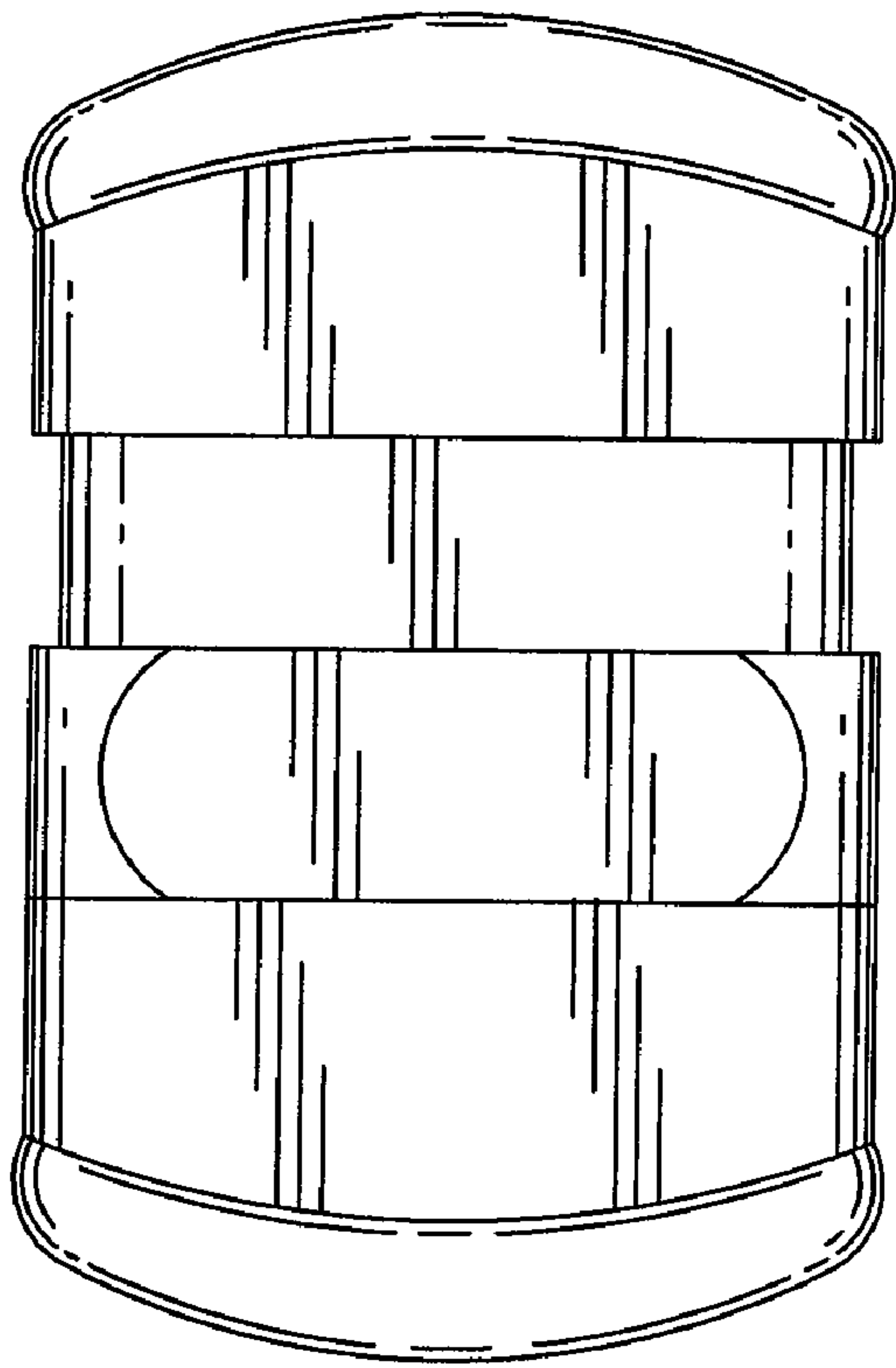


FIG. 1

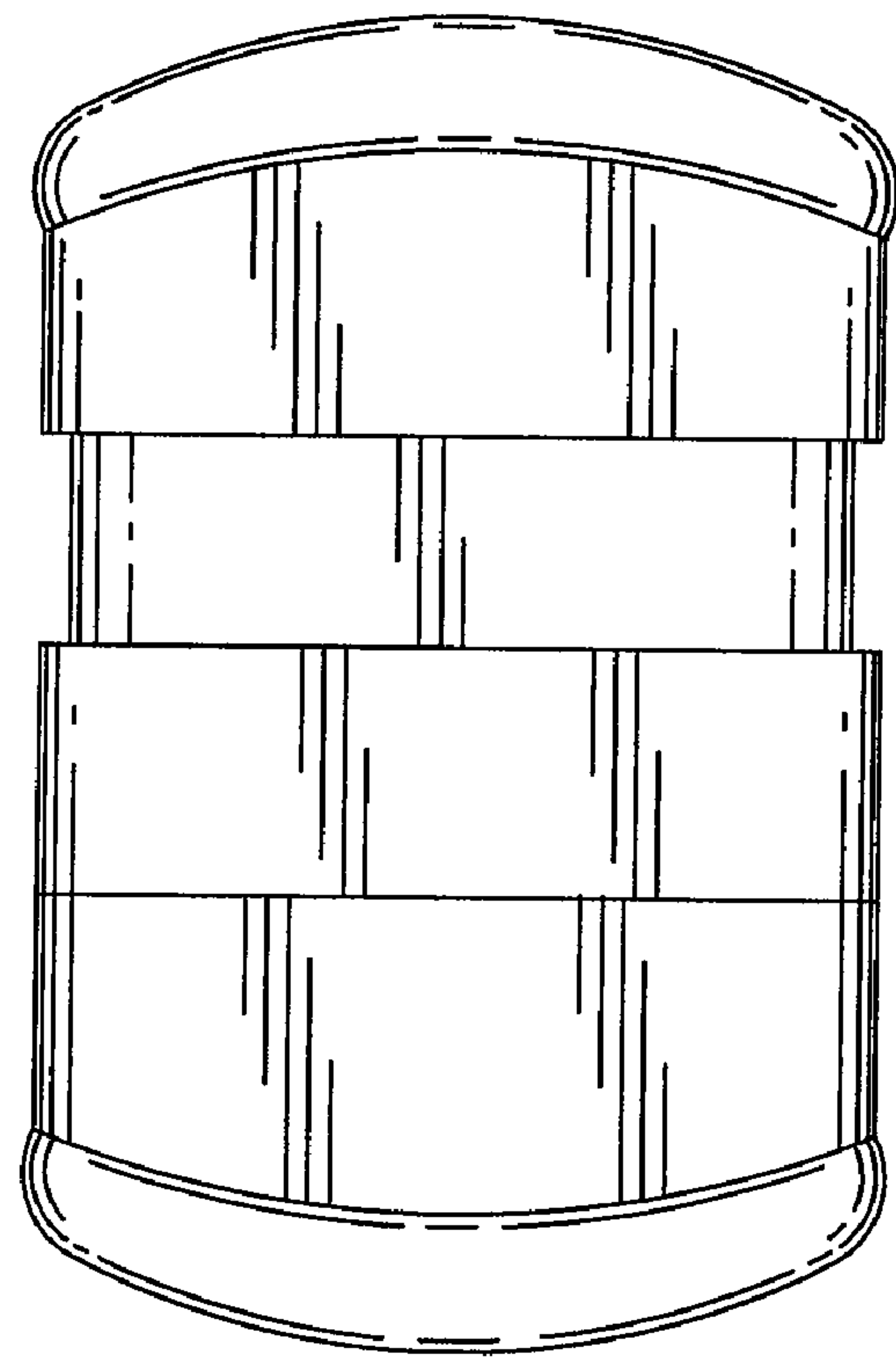


FIG. 2

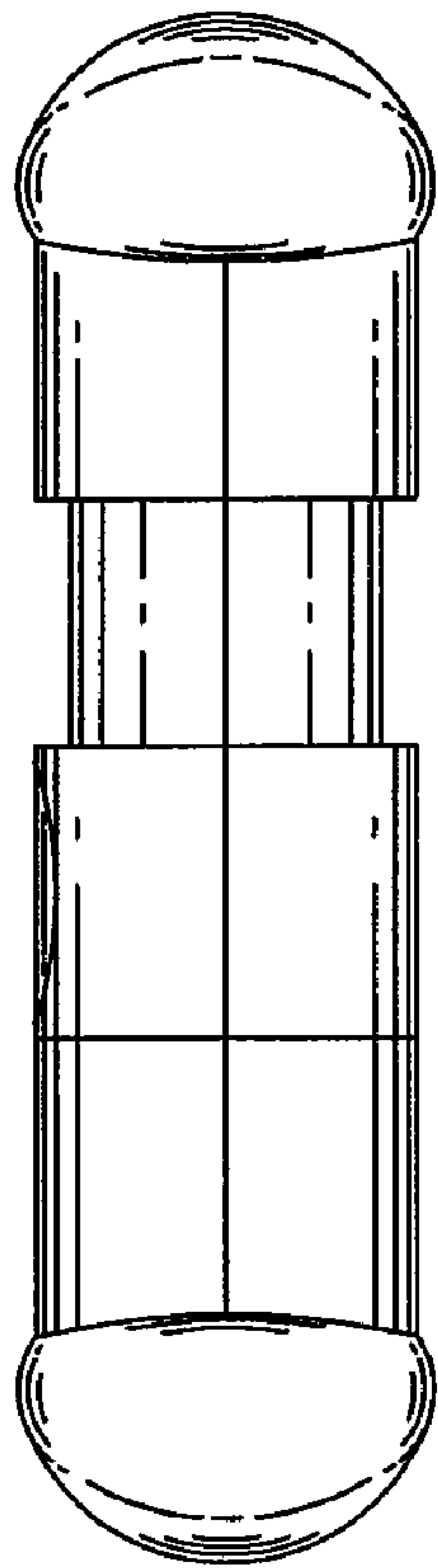


FIG. 3

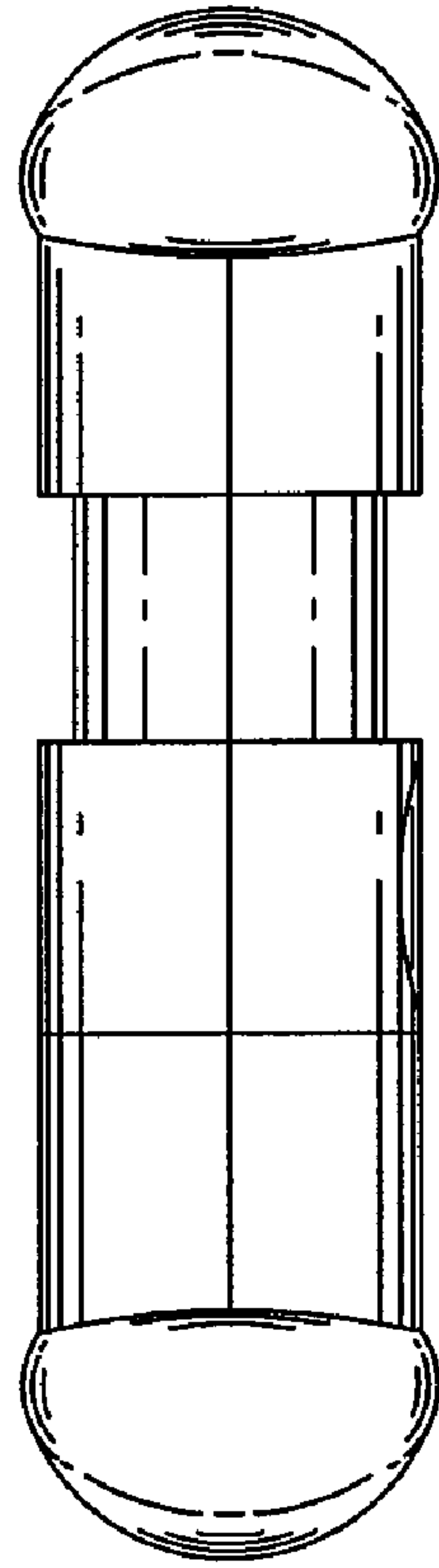


FIG. 4

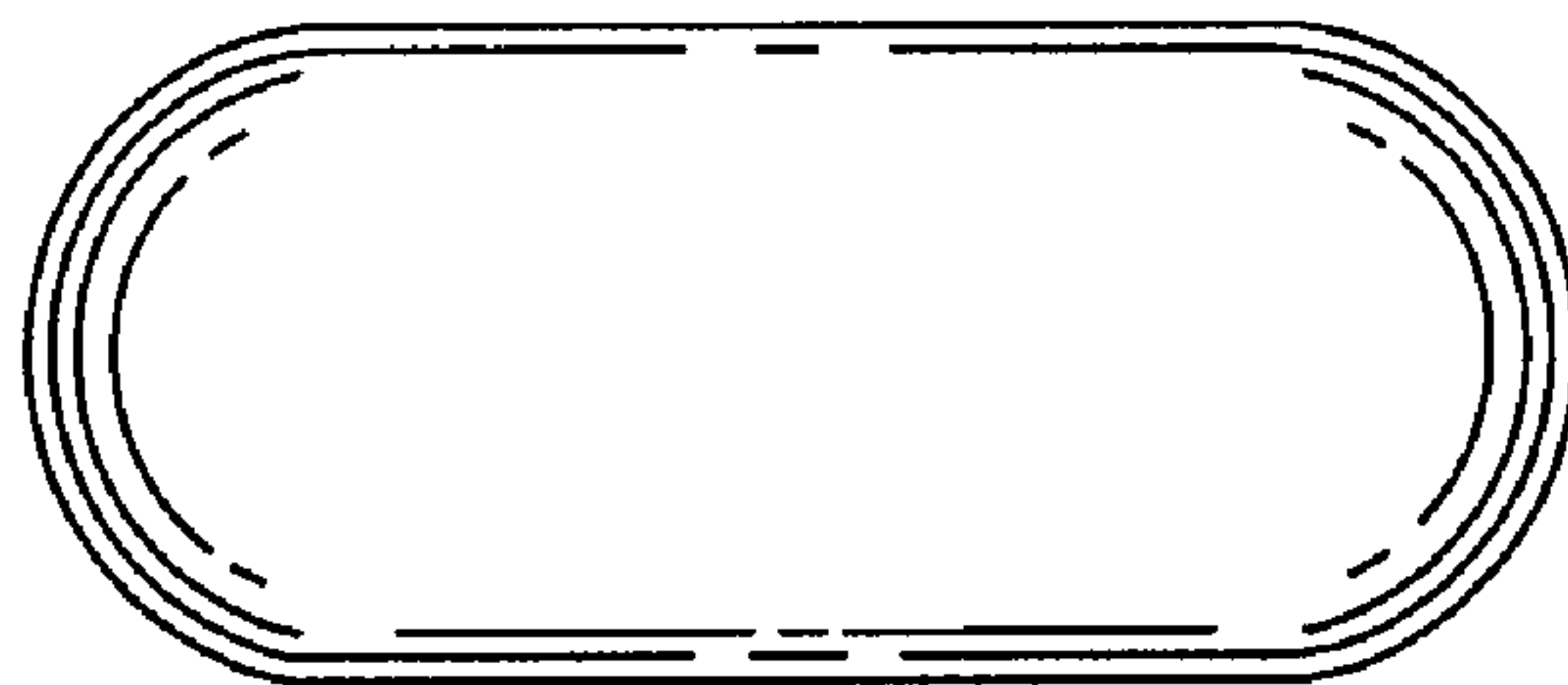


FIG. 5

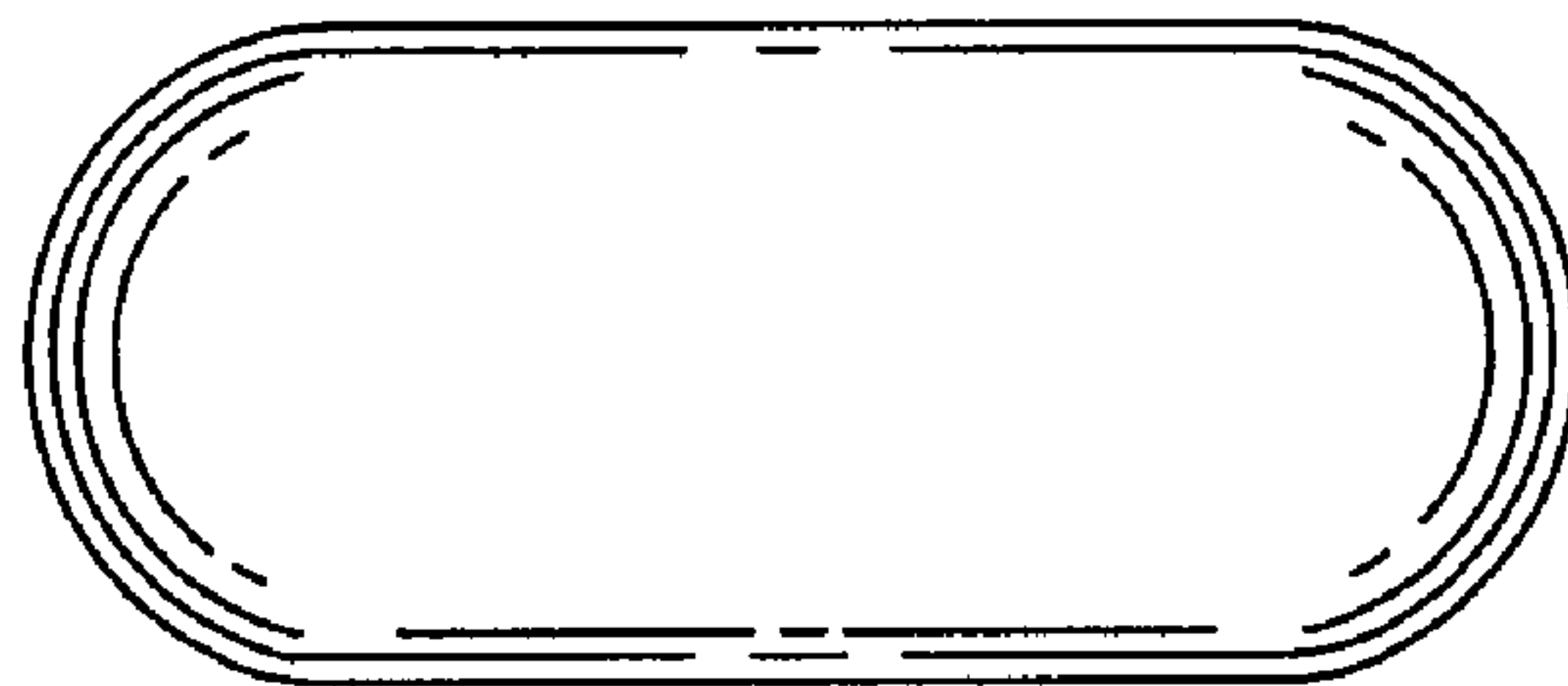


FIG. 6

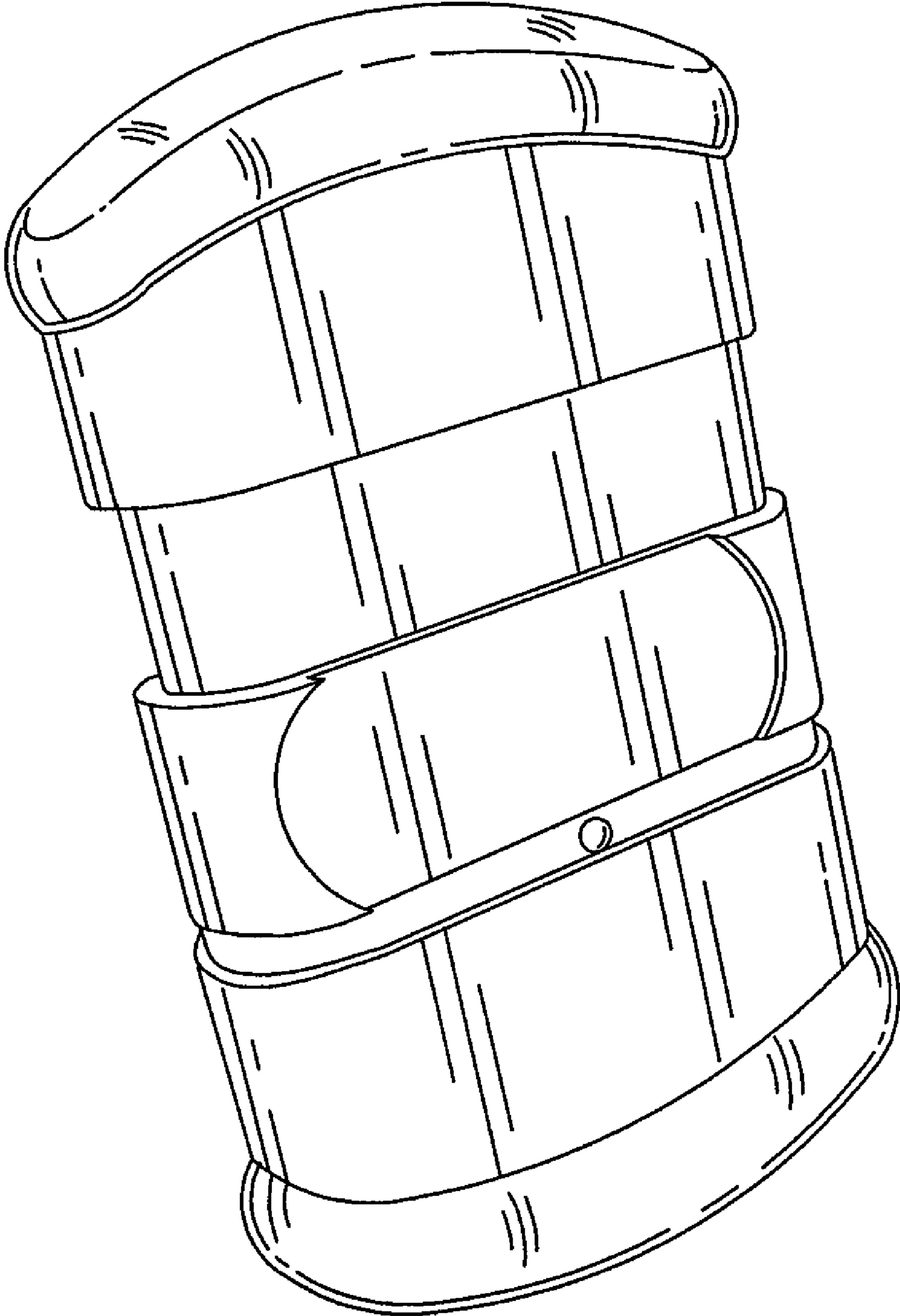


FIG. 7

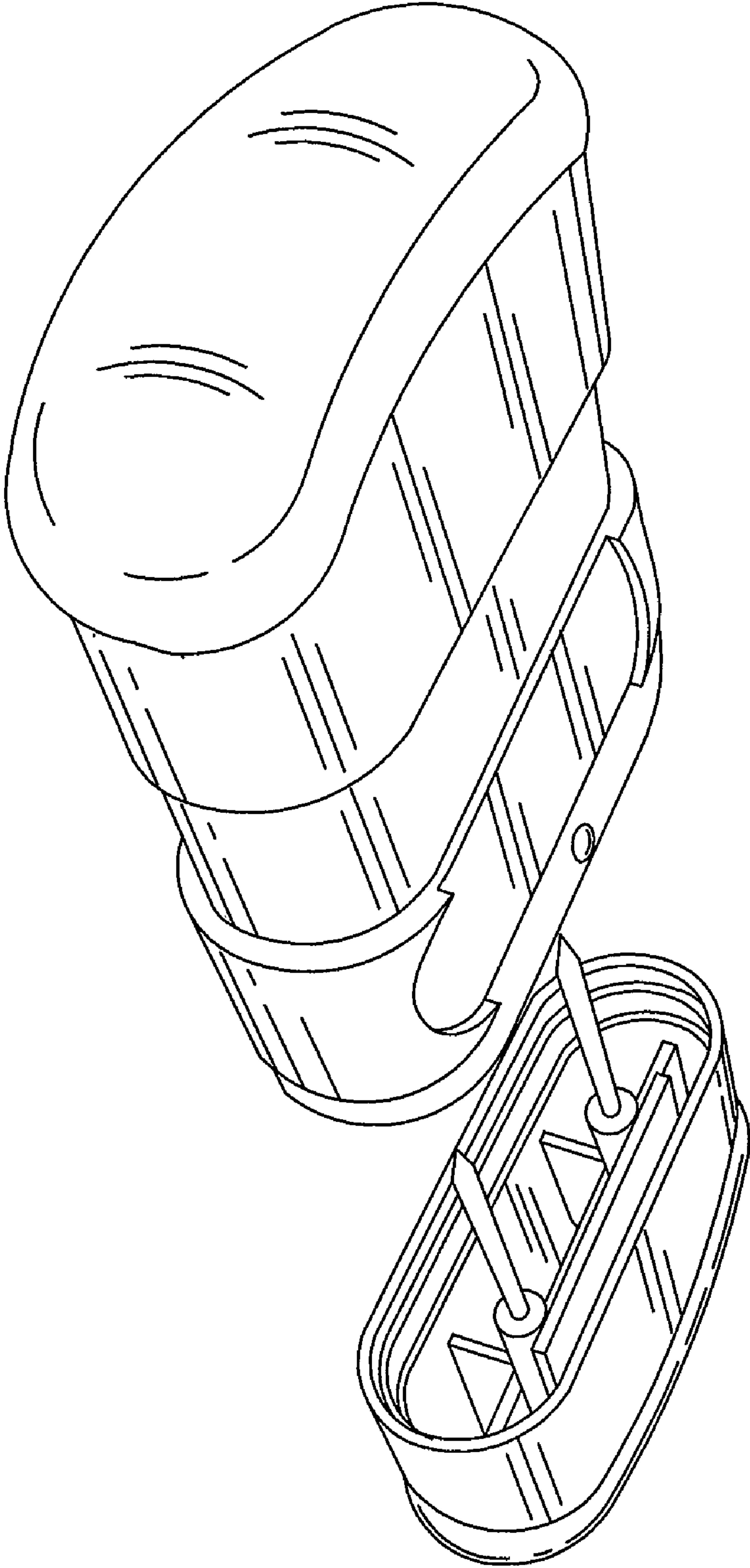


FIG. 8

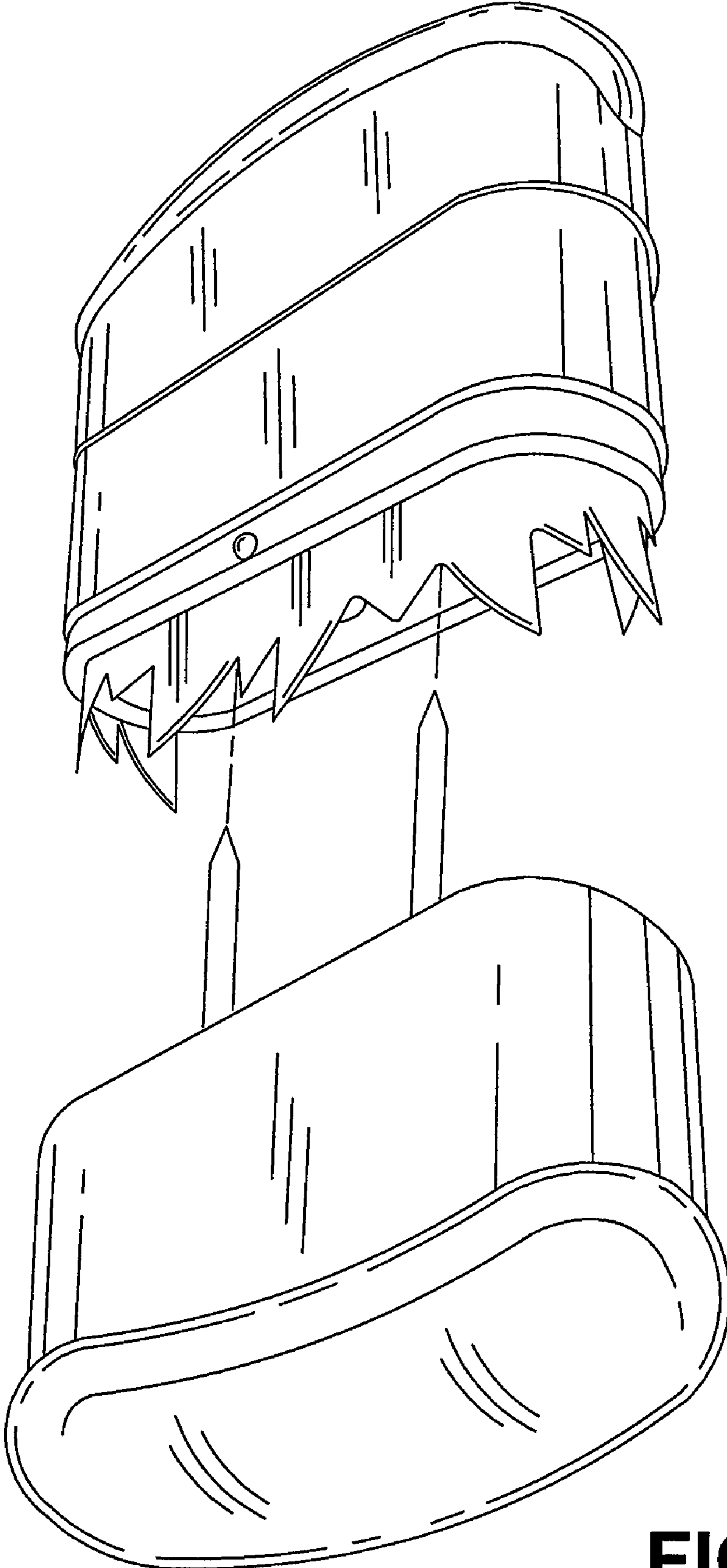


FIG. 9

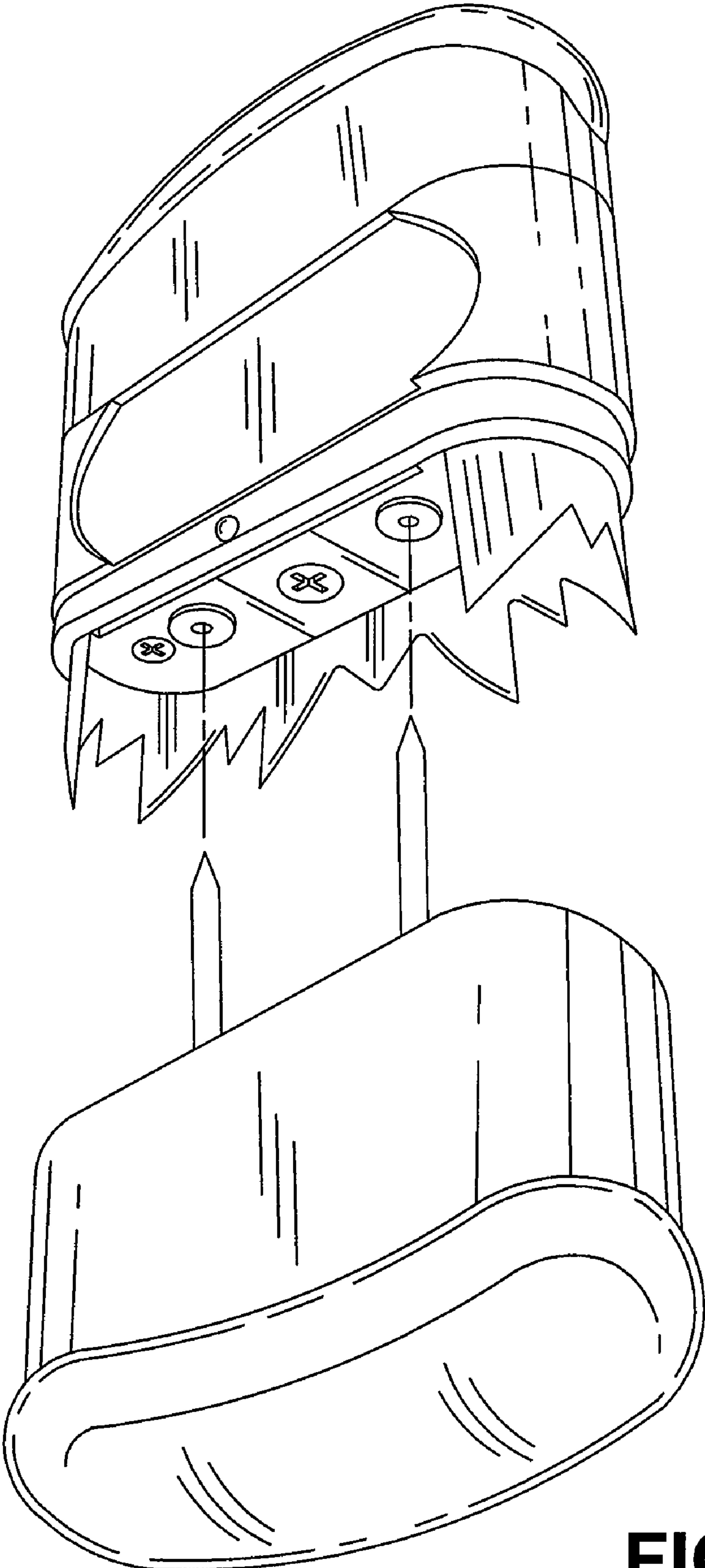


FIG. 10