



US00D606379S

(12) **United States Design Patent**
Hughes

(10) **Patent No.:** **US D606,379 S**

(45) **Date of Patent:** **** Dec. 22, 2009**

(54) **BAR CLAMP EXTENSION FIXTURE**

(75) Inventor: **David A. Hughes**, Atlanta, GA (US)

(73) Assignee: **BESSEY Tool GmbH & Co. KG**,
Bietigheim-Bissingen (DE)

(**) Term: **14 Years**

(21) Appl. No.: **29/289,776**

(22) Filed: **Jul. 30, 2007**

Related U.S. Application Data

(63) Continuation-in-part of application No. 11/305,432,
filed on Dec. 14, 2005, now Pat. No. 7,441,761.

(51) **LOC (9) Cl.** **08-08**

(52) **U.S. Cl.** **D8/72; D8/394**

(58) **Field of Classification Search** D8/394-396,
D8/72; D19/56, 65; D32/60-64; D28/40;
24/67.3; 269/6, 147, 149; D25/119, 121,
D25/222

See application file for complete search history.

(56) **References Cited**

U.S. PATENT DOCUMENTS

1,272,259	A	7/1918	Herold	
1,354,378	A	9/1920	Carpenter	
1,583,611	A *	5/1926	Seely	269/146
D110,202	S *	6/1938	Werner	D8/72
2,642,018	A *	6/1953	Weeber	52/277
3,172,158	A	3/1965	George et al.	
3,286,425	A *	11/1966	Brown	52/396.06
D230,115	S *	1/1974	Beams	D8/394

D236,715	S *	9/1975	Patterson	D25/121
D269,911	S *	7/1983	Lucous	D25/121
D277,934	S *	3/1985	Beckrot	D8/395
D299,869	S *	2/1989	Green	D25/123
D300,063	S *	2/1989	Sheltra	D25/120
4,864,734	A *	9/1989	Woodard et al.	33/428
D308,472	S *	6/1990	Goetz	D8/382
D318,409	S *	7/1991	Garrett	D8/72
D443,125	S *	5/2001	Adams	D99/29
D471,646	S *	3/2003	Westphal et al.	D25/122
6,530,565	B1 *	3/2003	Simpson	269/6
D479,797	S *	9/2003	Wall	D8/382
D483,650	S *	12/2003	Squillante et al.	D8/349
2007/0057424	A1	3/2007	Kern	
2007/0090580	A1	4/2007	Fratianne	
2007/0114708	A1	5/2007	Springer	

* cited by examiner

Primary Examiner—T. Chase Nelson

Assistant Examiner—John Windmuller

(74) *Attorney, Agent, or Firm*—Lipsitz & McAllister, LLC

(57) **CLAIM**

The ornamental design for a bar clamp extension fixture, as shown and described.

DESCRIPTION

FIG. 1 is a front, top and right side perspective view of the bar clamp extension fixture showing my new design;

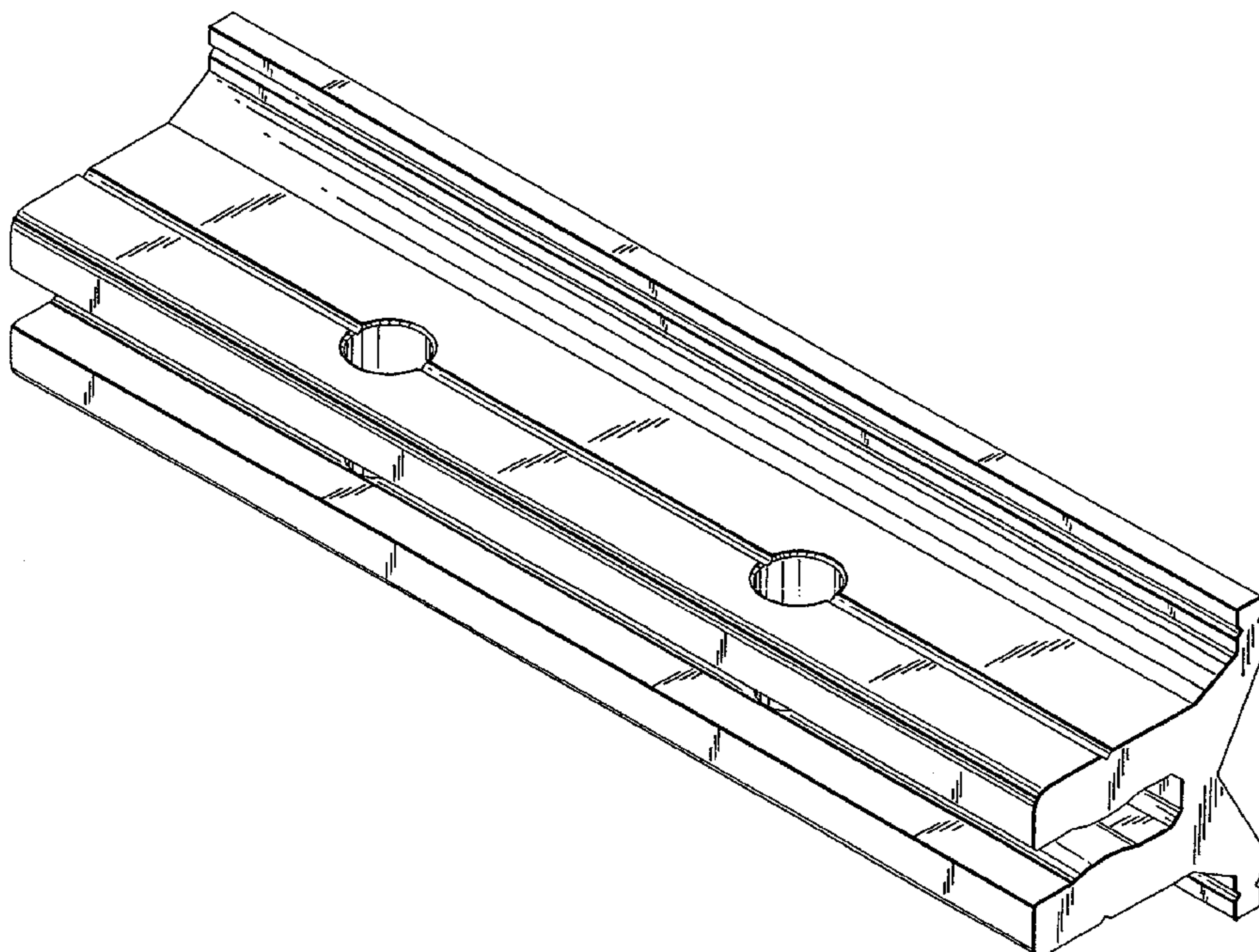
FIG. 2 is a front elevational view of the design;

FIG. 3 is a top plan view of the design;

FIG. 4 is a right side elevational view of the design; and,

FIG. 5 is a rear elevational view of the design.

1 Claim, 3 Drawing Sheets



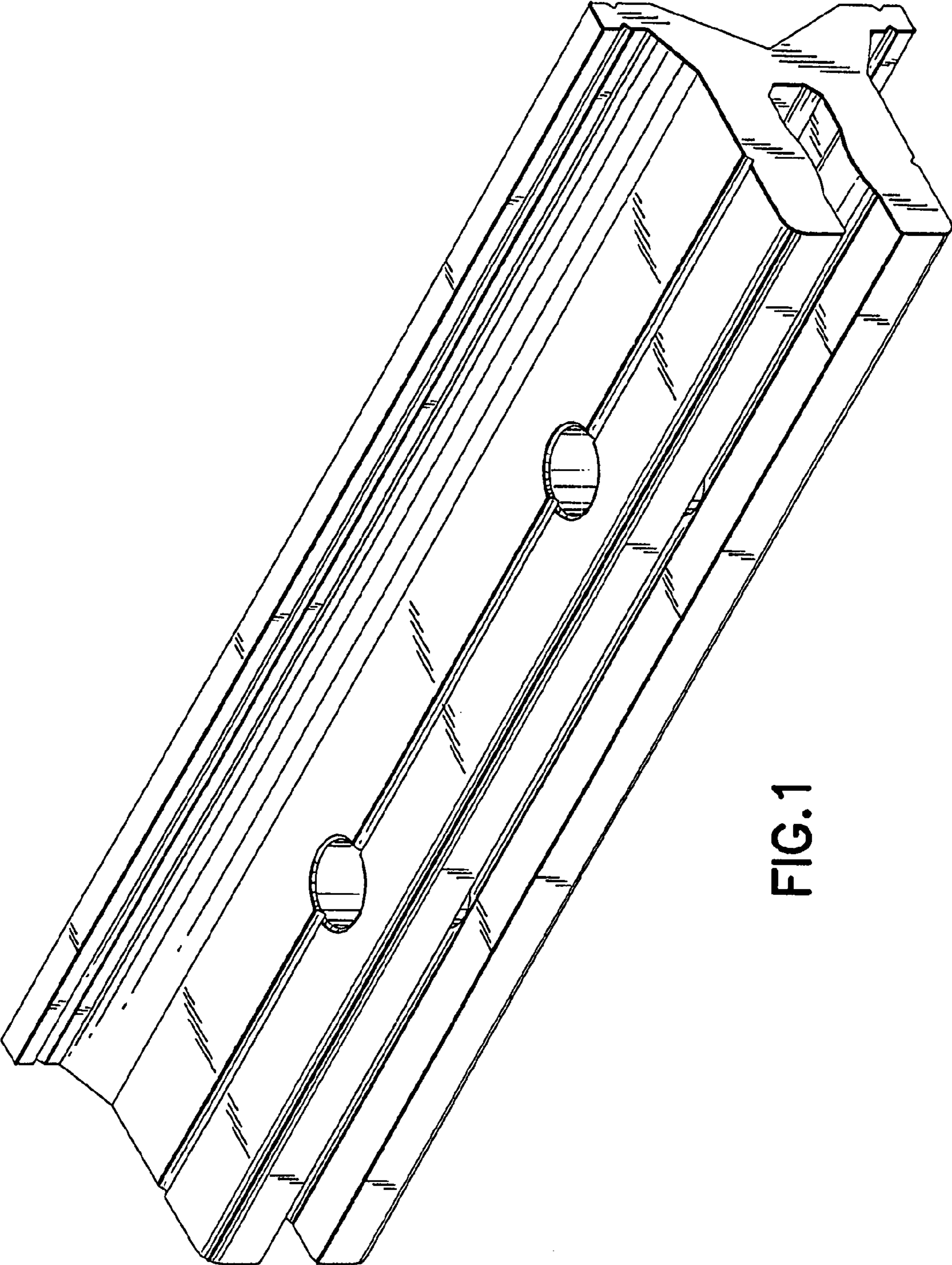


FIG.1

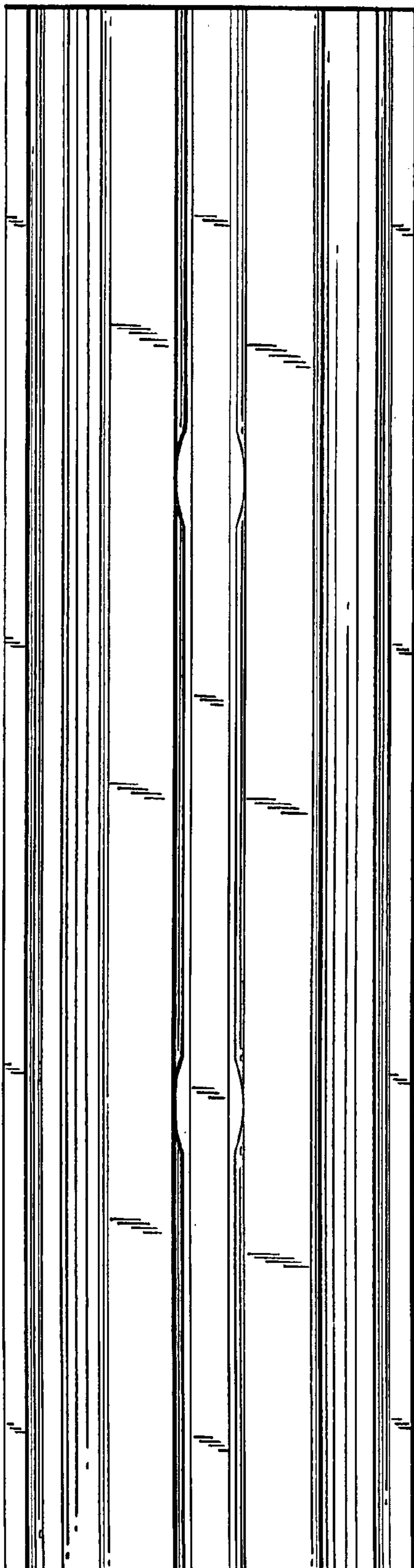


FIG. 2

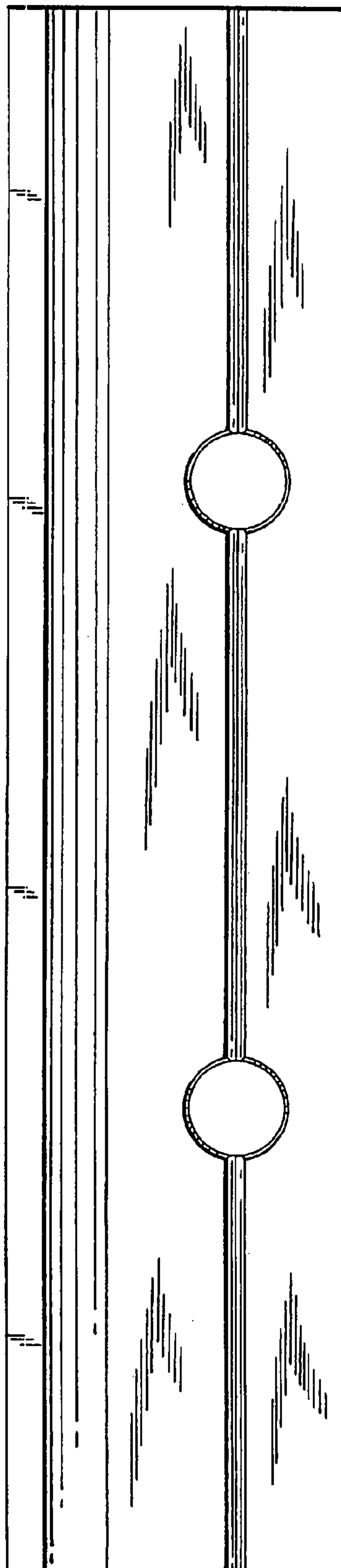


FIG. 3

FIG.4

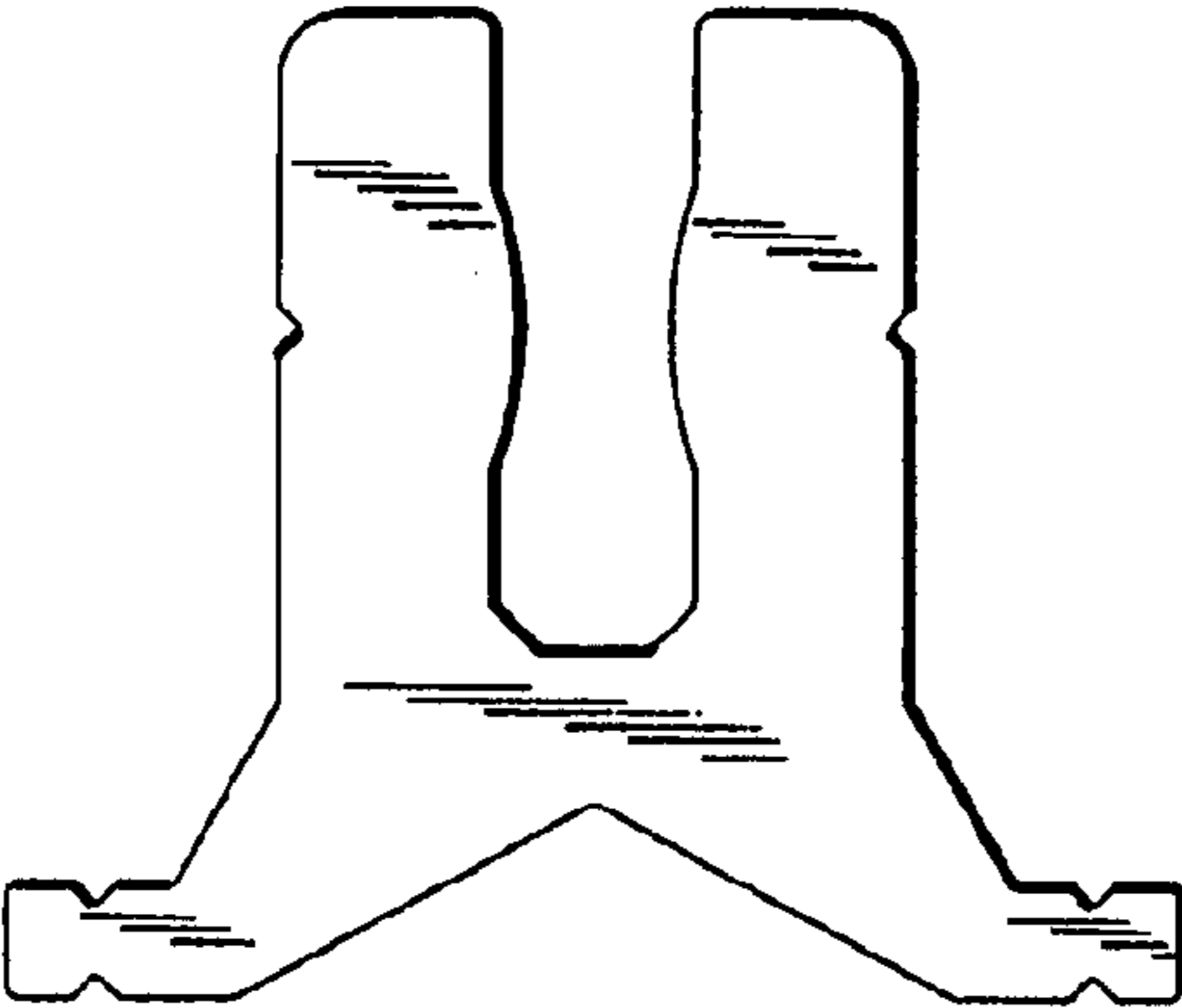


FIG.5

