

US00D606378S

(12) **United States Design Patent**  
**Okuda et al.**

(10) **Patent No.:** **US D606,378 S**

(45) **Date of Patent:** **\*\* Dec. 22, 2009**

(54) **GAS NAILING MACHINE**

(75) Inventors: **Shinsuke Okuda**, Anjo (JP); **Kenichi Miyata**, Anjo (JP)

(73) Assignee: **Makita Corporation**, Anjo-shi (JP)

(\*\*) Term: **14 Years**

(21) Appl. No.: **29/323,752**

(22) Filed: **Aug. 29, 2008**

(30) **Foreign Application Priority Data**

Mar. 11, 2008 (JP) ..... 2008-005954

(51) **LOC (9) Cl.** ..... **08-05**

(52) **U.S. Cl.** ..... **D8/69**

(58) **Field of Classification Search** ..... D8/68-69,  
D8/70; 81/57.11, 429, 454, 455, 456, 469,  
81/489; 173/13, 104, 114, 168, 169-171,  
173/178, 201, 211, 213, 217; 408/20, 124,  
408/125, 234, 241 R; 451/358; 310/50;  
227/113, 114, 120, 130, 136, 142

See application file for complete search history.

(56) **References Cited**

**U.S. PATENT DOCUMENTS**

D527,972 S \* 9/2006 Leasure et al. .... D8/69

D589,196 S \* 3/2009 Stone et al. .... D26/72

D591,132 S \* 4/2009 Fischer-Zernin ..... D8/69  
2007/0034659 A1 \* 2/2007 Moeller et al. .... 227/8  
2008/0296337 A1 \* 12/2008 Yang ..... 227/8

**FOREIGN PATENT DOCUMENTS**

JP S-1295789 2/2007

\* cited by examiner

*Primary Examiner*—Antoine D Davis

(74) *Attorney, Agent, or Firm*—Olliff & Berridge, PLC

(57) **CLAIM**

The ornamental design for a gas nailing machine, as shown and described.

**DESCRIPTION**

FIG. 1 is a perspective view of top, front and left side of a gas nailing machine showing our new design;

FIG. 2 is a front view thereof;

FIG. 3 is a rear view thereof;

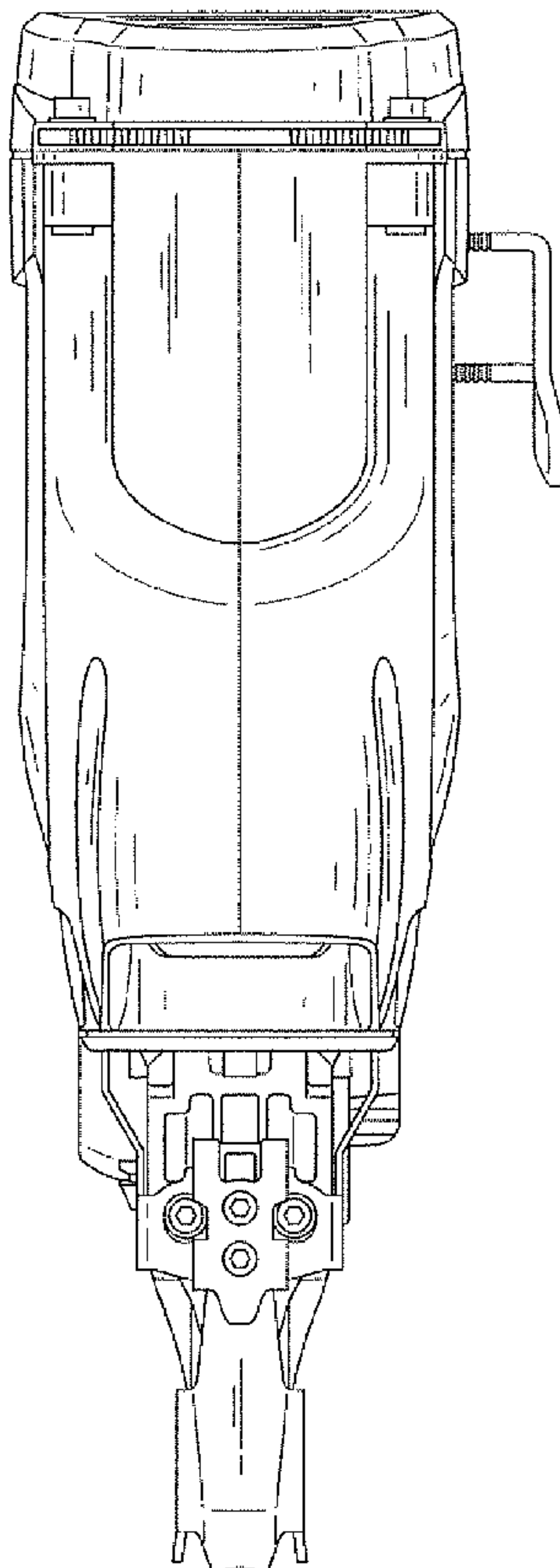
FIG. 4 is a top plan view thereof;

FIG. 5 is a bottom view thereof;

FIG. 6 is a right side view thereof; and,

FIG. 7 is a left side view thereof.

**1 Claim, 6 Drawing Sheets**



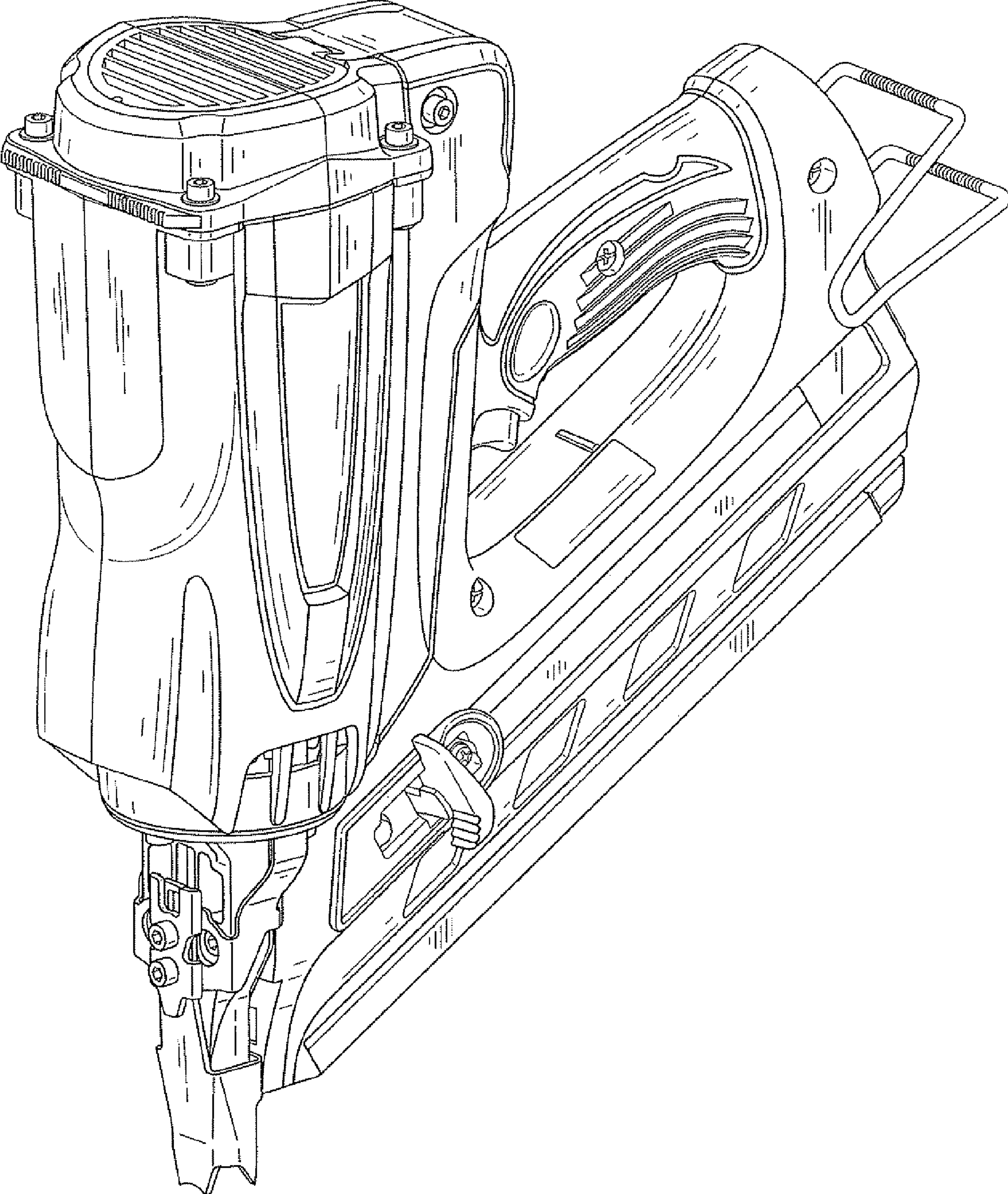


FIG. 1

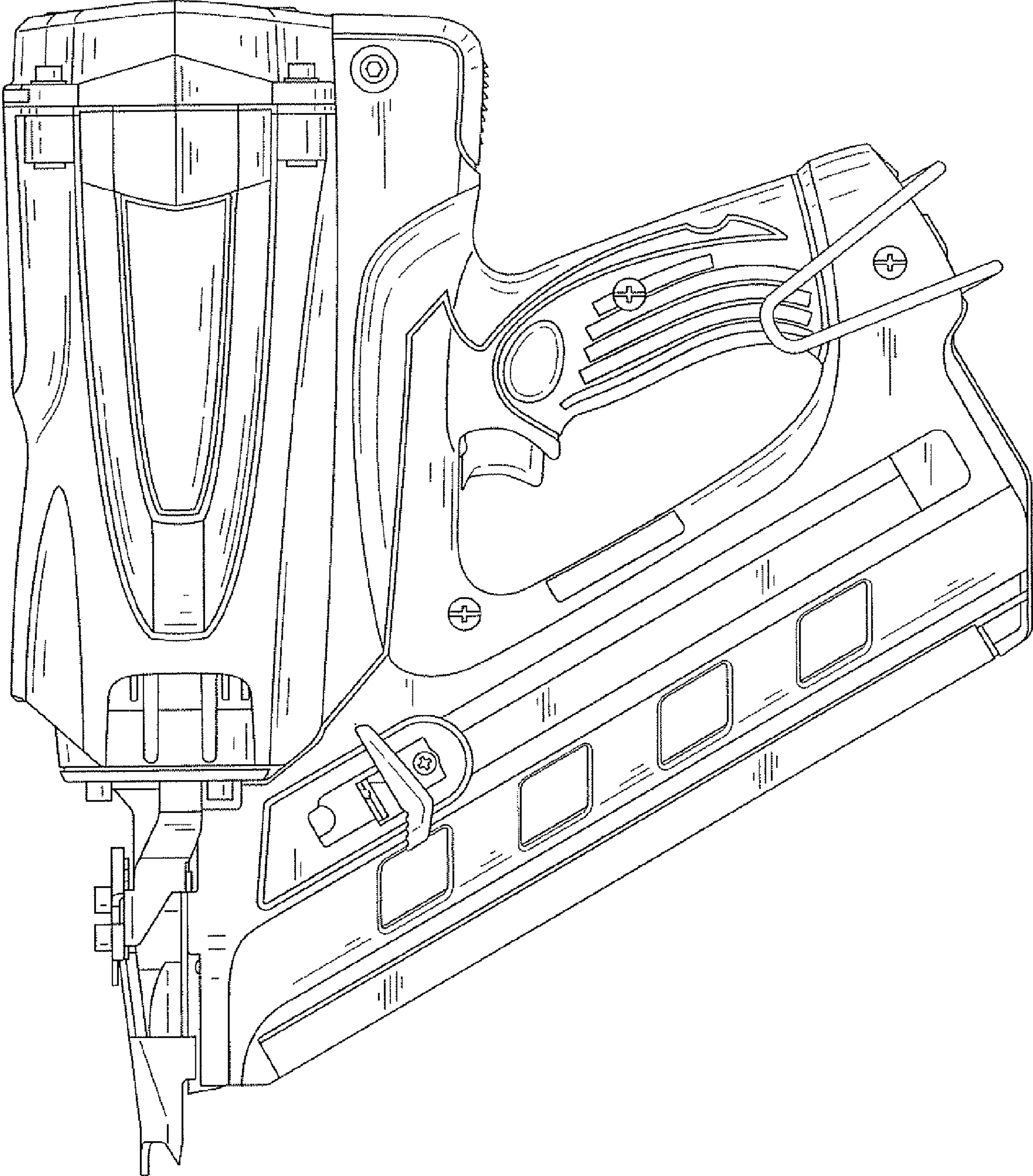


FIG. 2



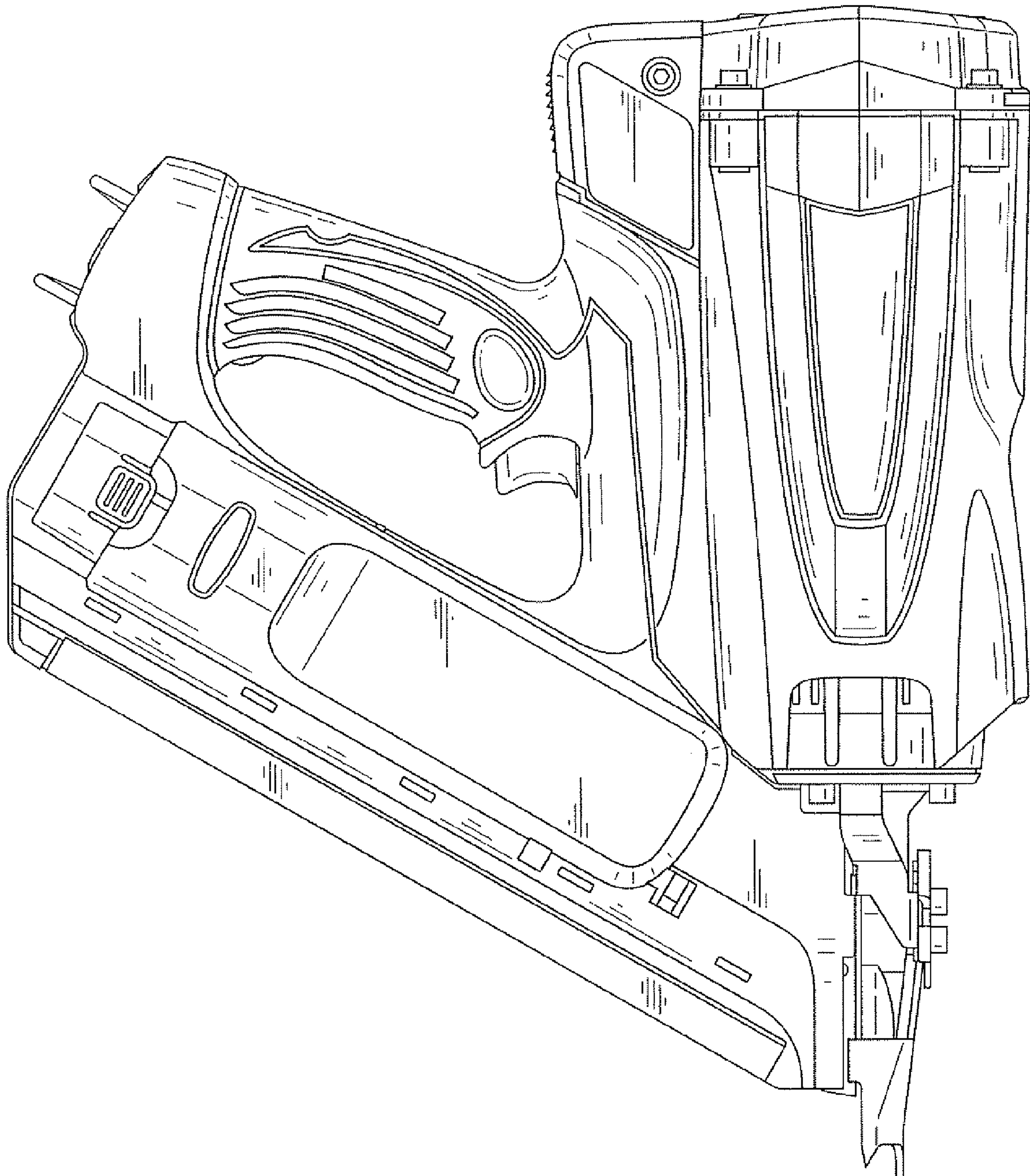


FIG. 3

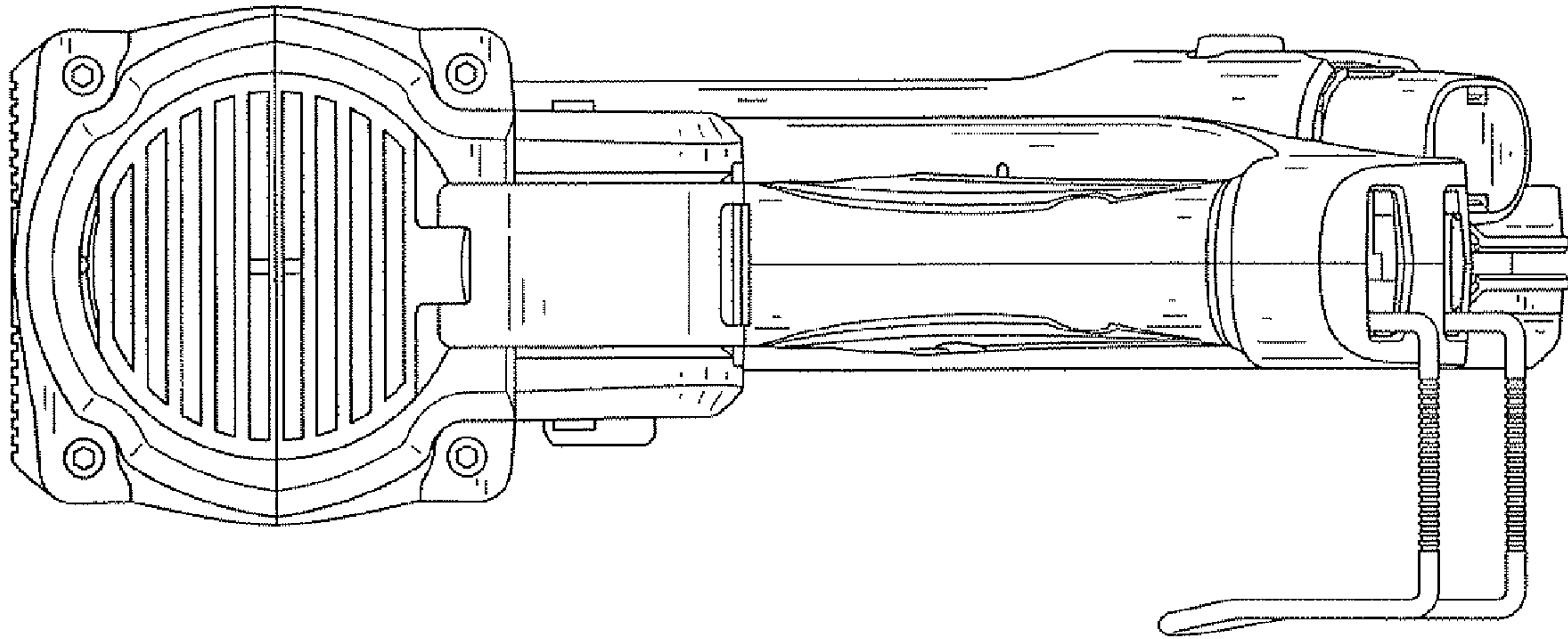


FIG. 4

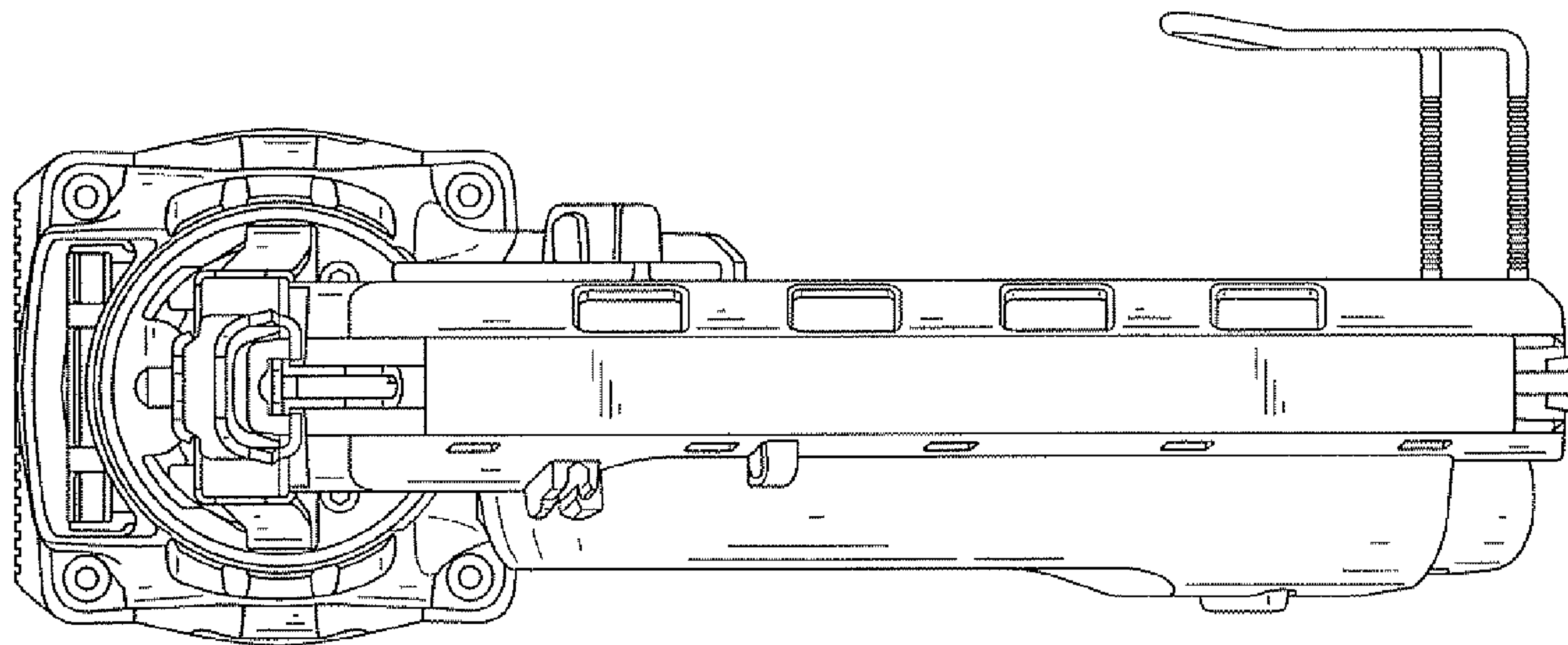


FIG. 5

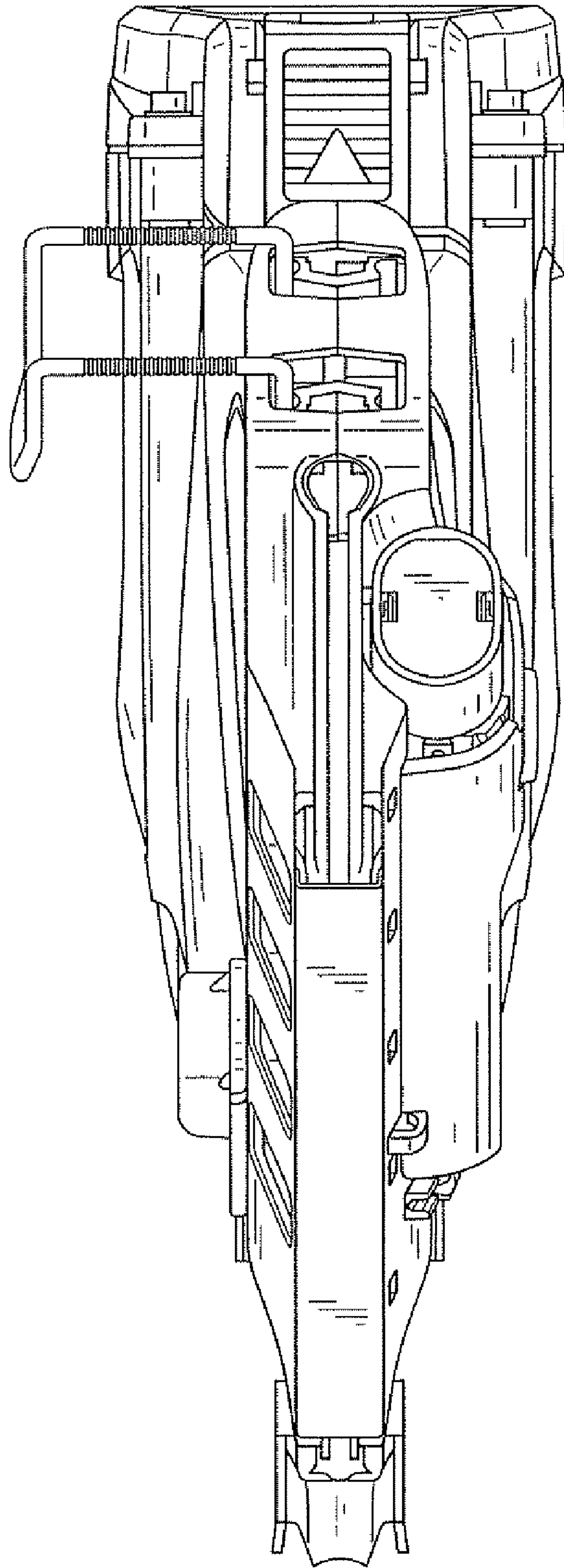
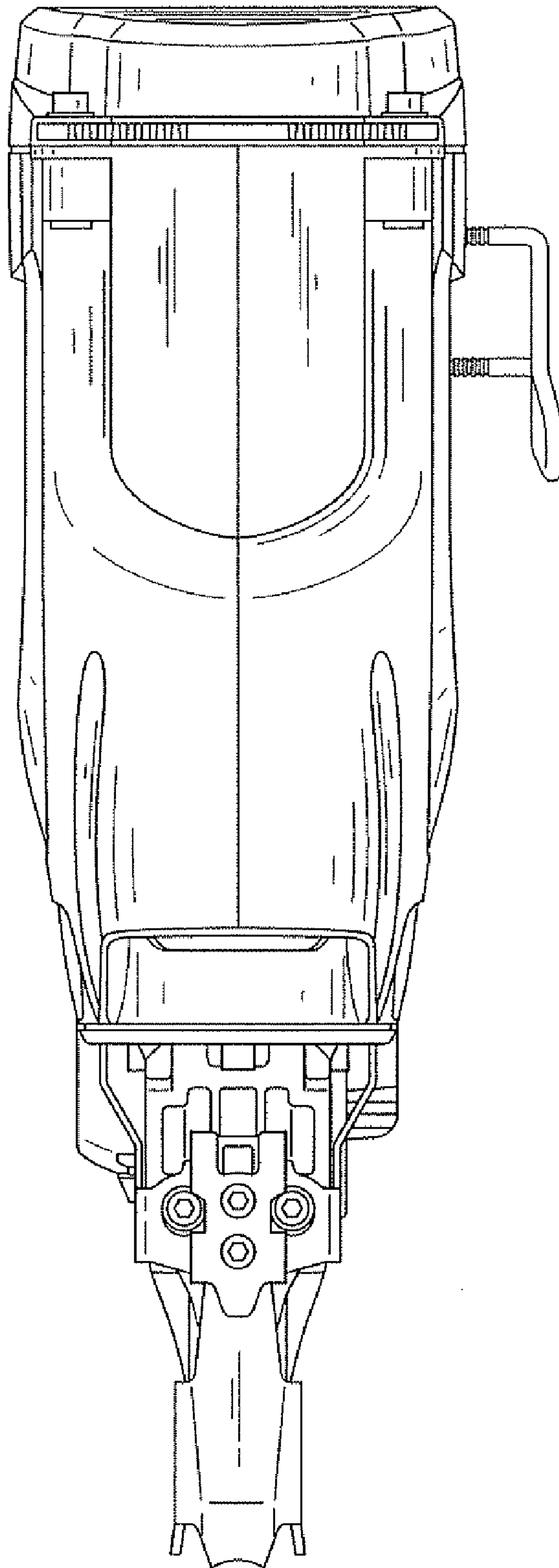


FIG. 6



**FIG. 7**