



US00D606377S

(12) **United States Design Patent**  
**Ho**

(10) **Patent No.:** **US D606,377 S**

(45) **Date of Patent:** **\*\* \*Dec. 22, 2009**

(54) **AIR HAMMER**

(75) Inventor: **Chuan-Cheng Ho**, Taipei (TW)

(73) Assignee: **Yueh-Chi Enterprise Co., Ltd.**, Taiping,  
Taichung Hsien (TW)

(\*\*) Term: **14 Years**

(21) Appl. No.: **29/299,735**

(22) Filed: **Jan. 3, 2008**

(51) **LOC (9) Cl.** ..... **08-06**

(52) **U.S. Cl.** ..... **D8/69**

(58) **Field of Classification Search** ..... D8/14.1,  
D8/61, 62, 63, 64, 65, 66, 67, 68, 69, 70;  
81/57.11, 429, 454, 455, 456, 469, 489; 173/13,  
173/104, 114, 168, 169, 170, 171, 178, 201,  
173/211, 213, 217; 408/20, 124, 125, 234,  
408/241 R; 451/358; 310/50; 227/8, 113,  
227/114, 120, 130, 136, 142

See application file for complete search history.

(56) **References Cited**

**U.S. PATENT DOCUMENTS**

614,160	A *	11/1898	Breitenstein	173/168
1,684,231	A *	9/1928	Levedahl	173/13
D77,937	S *	3/1929	Decker	D8/69
2,068,745	A *	1/1937	Hall	173/178
D117,112	S *	10/1939	Roberts	D8/69
2,440,834	A *	5/1948	Sims, Jr	173/13
D156,320	S *	12/1949	Bushnell	D8/69
2,972,746	A *	2/1961	Skumawitz	D8/69
3,395,765	A *	8/1968	Schnettler	173/13
4,039,034	A *	8/1977	Wagner	D8/69
D292,368	S *	10/1987	Mikiya	D8/61
D329,794	S *	9/1992	Graham	D8/68
D343,345	S *	1/1994	Ogawa et al.	D8/69
D409,468	S *	5/1999	Uchida et al.	D8/69
D411,426	S *	6/1999	Morita	D8/69
D447,677	S *	9/2001	Stirm	D8/69

D473,774	S *	4/2003	Stirm	D8/69
D480,937	S *	10/2003	Vogele et al.	D8/69
D591,130	S *	4/2009	Palermo et al.	D8/69
7,513,317	B2 *	4/2009	Satou	173/162.2
7,549,563	B2 *	6/2009	Mather et al.	227/175.1
2007/0267206	A1 *	11/2007	Chen	173/170
2008/0006419	A1 *	1/2008	Harcar et al.	173/114
2009/0178520	A1 *	7/2009	Engelfried et al.	81/489
2009/0223691	A1 *	9/2009	Ikuta et al.	173/117

**OTHER PUBLICATIONS**

Twin Hammer Impact Wrench model YU-2583T6 by Scorpio/Yueh-Chi Enterprises, dated Jul. 23, 2008 found at: [http://www.scorpiotool.com/pro\\_08\\_01.htm?pid=10](http://www.scorpiotool.com/pro_08_01.htm?pid=10) (1 of 4 pages) in search of Yueh-Chi Enterprise on Sep. 25, 2009.\*

\* cited by examiner

*Primary Examiner*—Robert M Spear

*Assistant Examiner*—Karen Acker

(74) *Attorney, Agent, or Firm*—Morris, Manning & Martin LLP; Tim Tingkang Xia

(57) **CLAIM**

The ornamental design for an air hammer, as shown and described.

**DESCRIPTION**

FIG. 1 is a perspective view of an air hammer showing my new design;

FIG. 2 is a front view thereof;

FIG. 3 is a rear view thereof;

FIG. 4 is a left side view thereof;

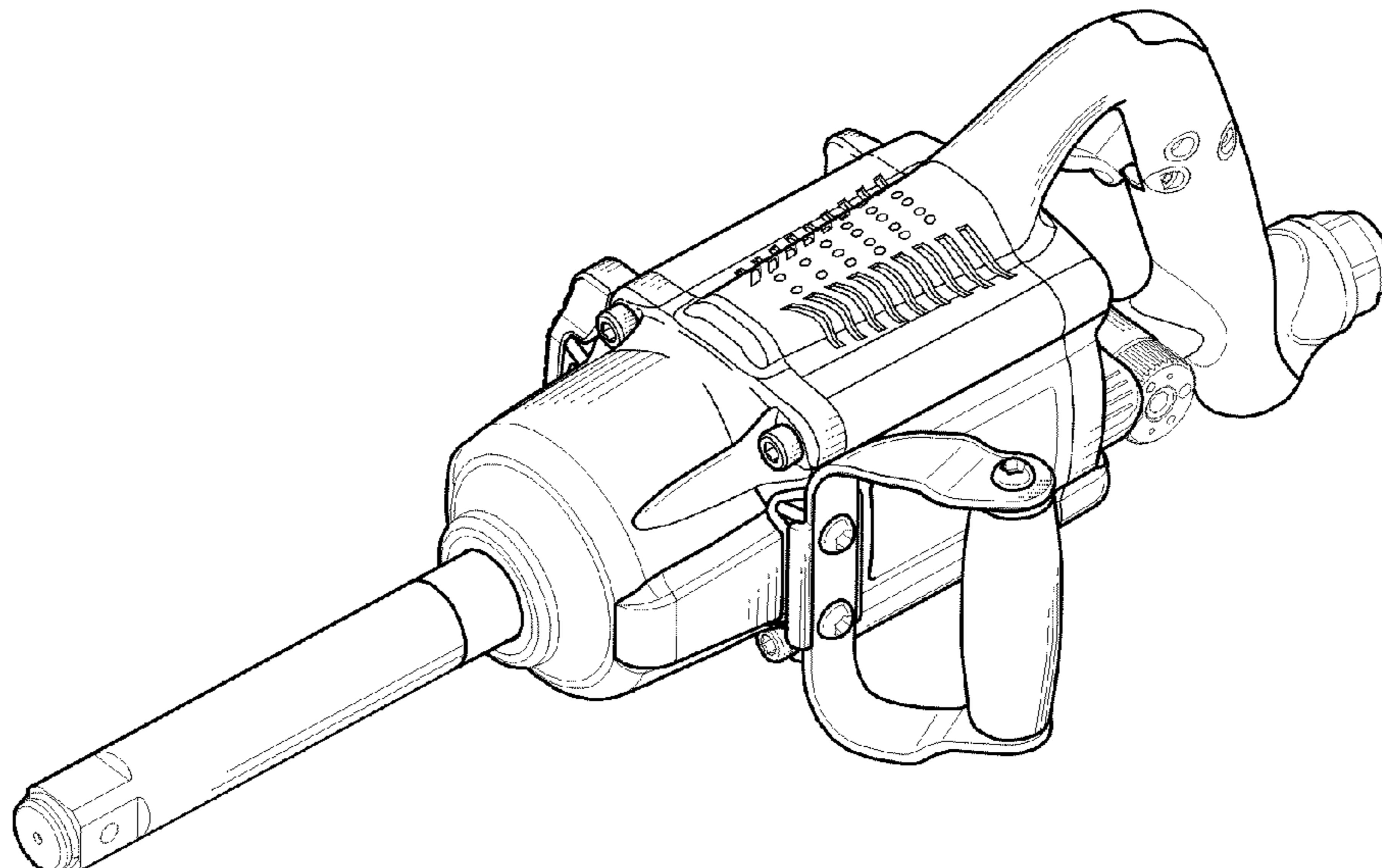
FIG. 5 is a right side view thereof;

FIG. 6 is a top view thereof; and,

FIG. 7 is a bottom view thereof.

The broken lines in the drawings represent unclaimed environmental subject matter.

**1 Claim, 7 Drawing Sheets**



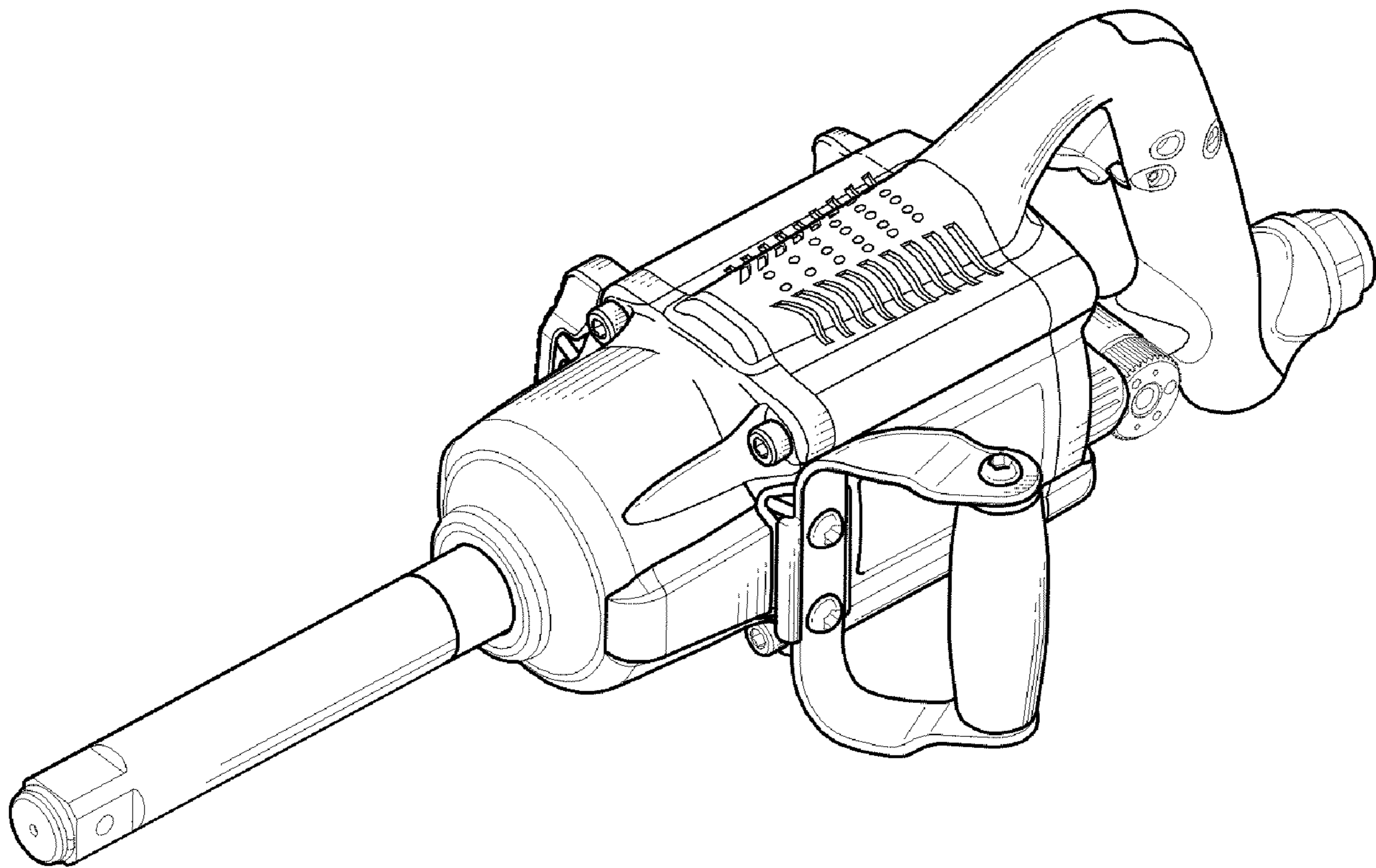


FIG. 1

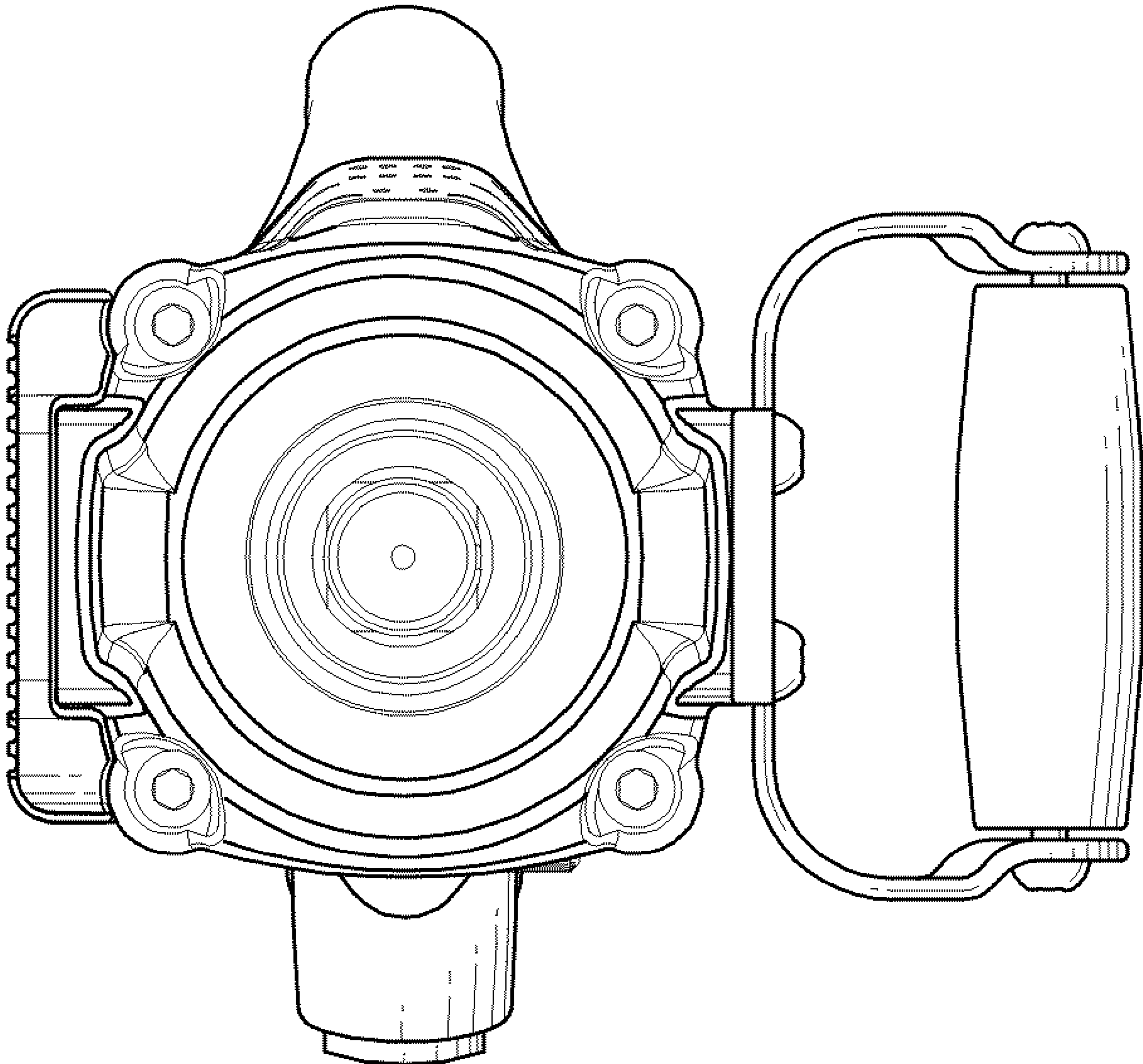


FIG. 2

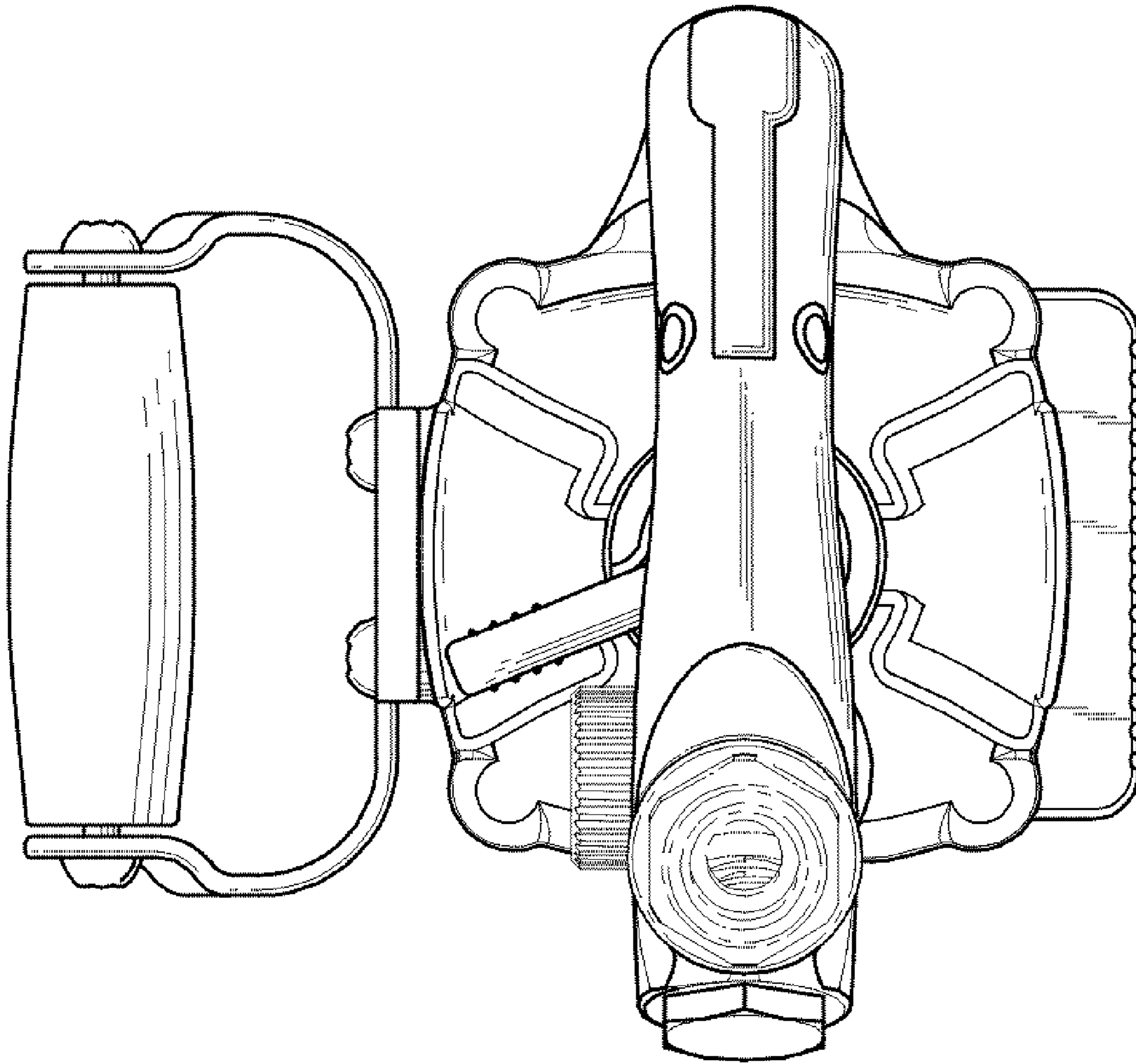


FIG. 3

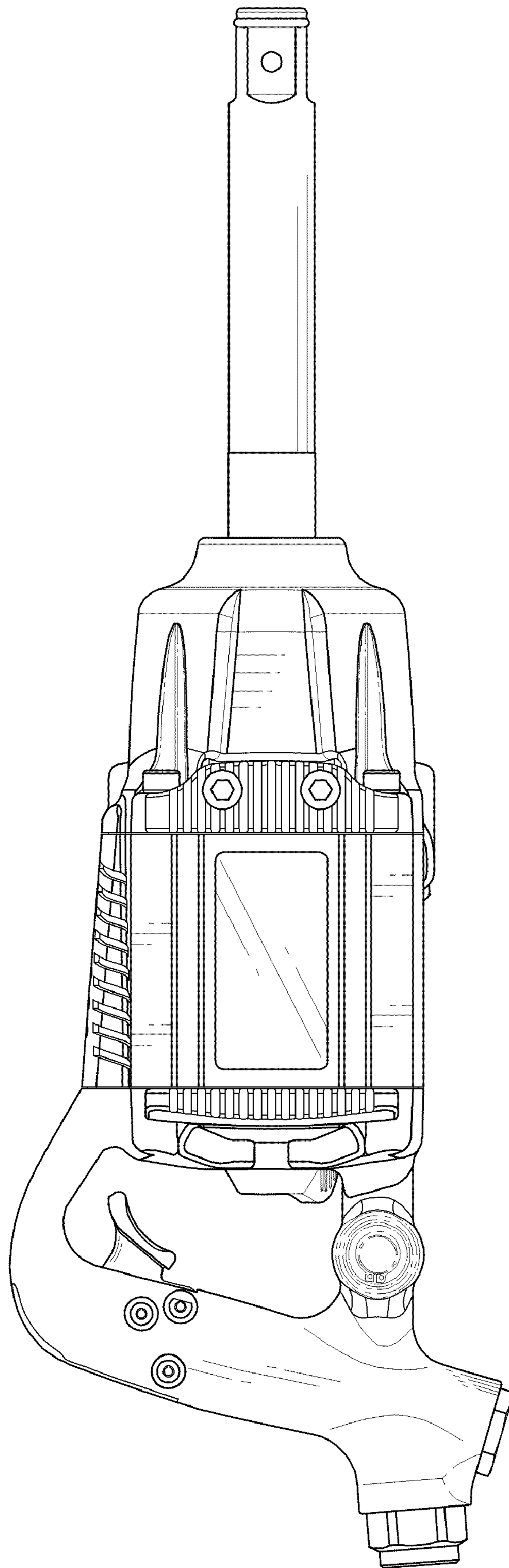


FIG. 4

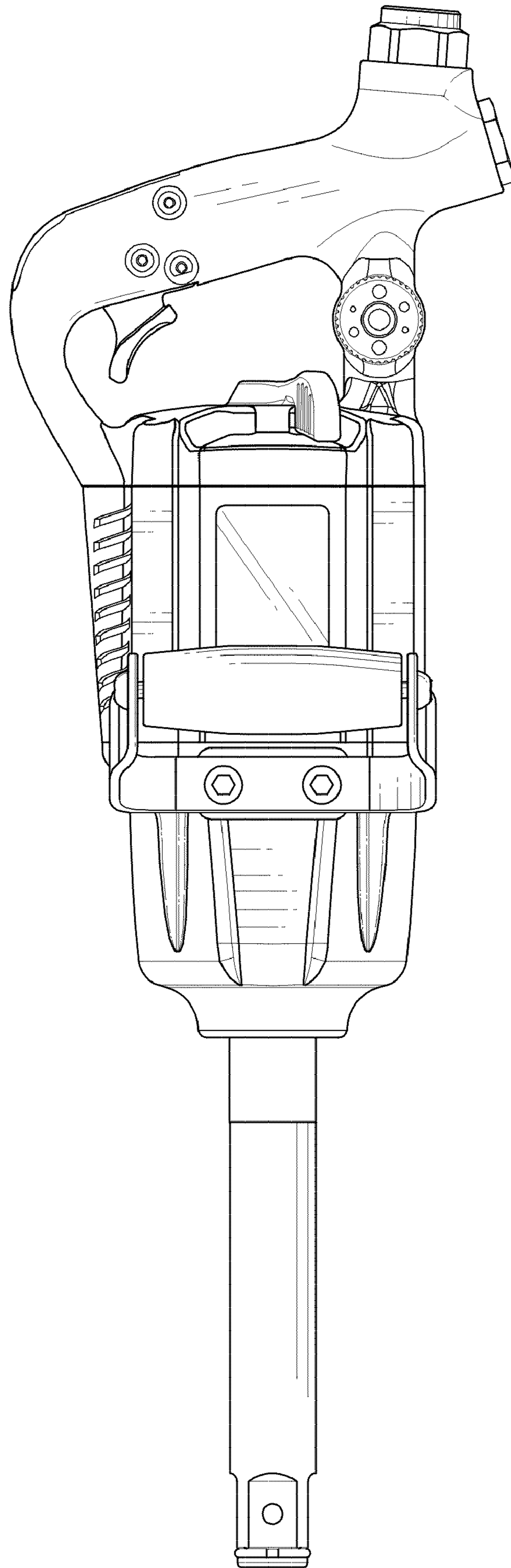


FIG. 5

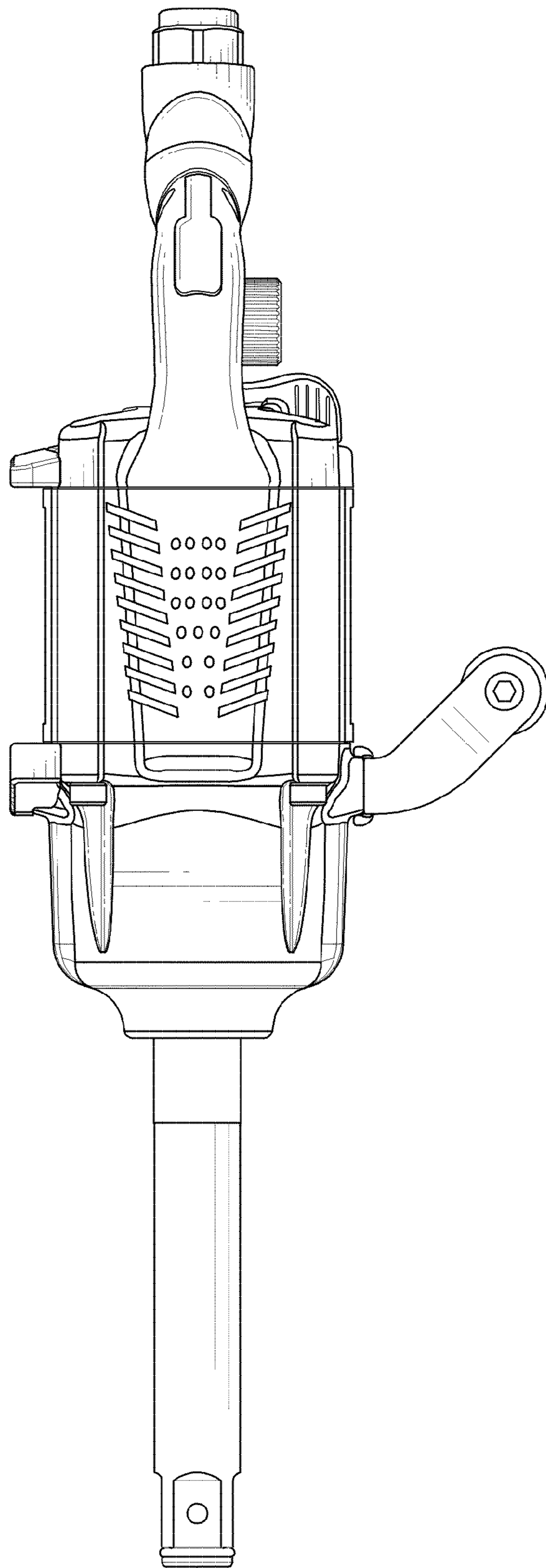


FIG. 6

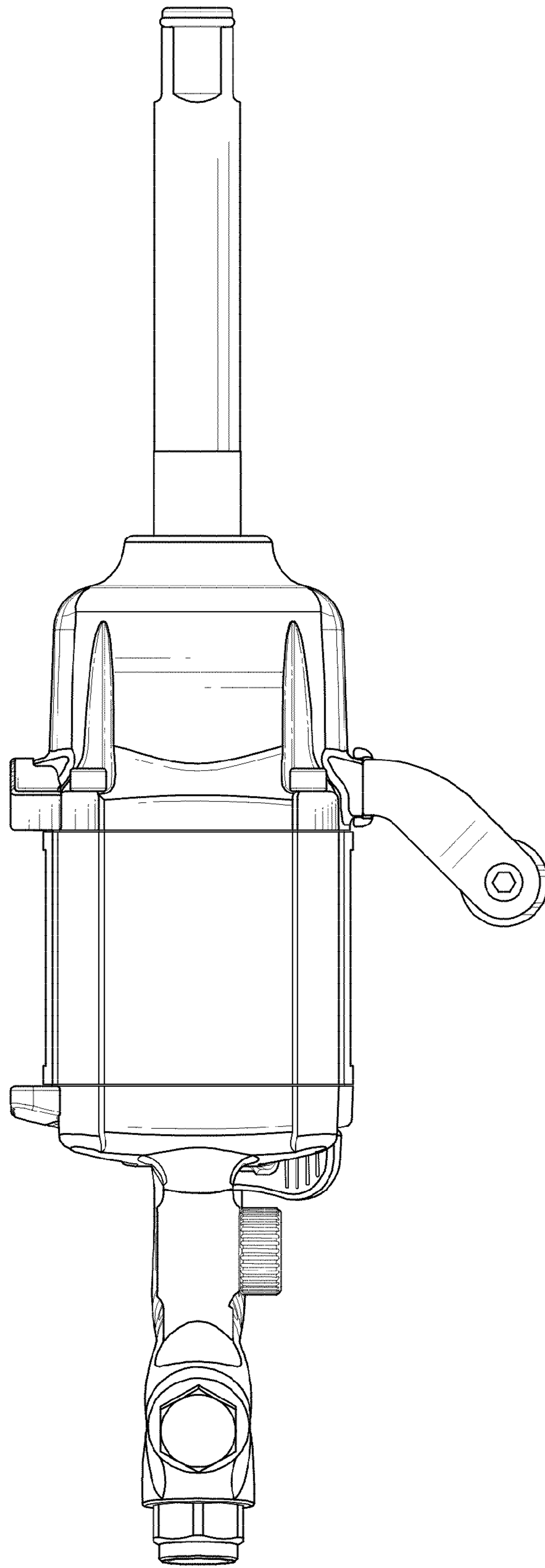


FIG. 7