



US00D606376S

(12) **United States Design Patent**  
**Okuda et al.**

(10) **Patent No.:** **US D606,376 S**  
(45) **Date of Patent:** **\*\* Dec. 22, 2009**

(54) **PORTABLE ELECTRIC DRIVER**

(75) Inventors: **Shinsuke Okuda**, Anjo (JP); **Hidenori Nagasaka**, Anjo (JP)

(73) Assignee: **Makita Corporation**, Anjo (JP)

(\*\*) Term: **14 Years**

(21) Appl. No.: **29/309,525**

(22) Filed: **Aug. 27, 2008**

(30) **Foreign Application Priority Data**

Mar. 10, 2008 (JP) ..... 2008-05755

(51) **LOC (9) Cl.** ..... **08-04**

(52) **U.S. Cl.** ..... **D8/68**

(58) **Field of Classification Search** ..... D8/14.1,  
D8/61, 62, 63, 64, 65, 66, 67, 68, 69, 70;  
81/57.11, 429, 454, 455, 456, 469, 489; 173/13,  
173/104, 114, 168, 169, 170, 171, 178, 201,  
173/211, 213, 217; 408/20, 124, 125, 234,  
408/241 R; 451/358; 310/50; 227/8, 113,  
227/114, 120, 130, 136, 142

See application file for complete search history.

(56) **References Cited**

**U.S. PATENT DOCUMENTS**

D484,385 S \* 12/2003 Sakai et al. .... D8/68  
D519,808 S 5/2006 Otsuka et al.

D525,099 S \* 7/2006 Nagasaka et al. .... D8/68  
D567,615 S \* 4/2008 Taniguchi et al. .... D8/68  
D577,558 S \* 9/2008 Taniguchi et al. .... D8/68  
D578,854 S \* 10/2008 Lopano ..... D8/68  
D579,743 S \* 11/2008 Lopano ..... D8/68  
D584,123 S \* 1/2009 Lopano ..... D8/68  
D585,714 S \* 2/2009 Okuda et al. .... D8/68  
D585,715 S \* 2/2009 Okuda et al. .... D8/68  
D585,716 S \* 2/2009 Taniguchi et al. .... D8/68

\* cited by examiner

*Primary Examiner*—Antoine D Davis

(74) *Attorney, Agent, or Firm*—Olliff & Berridge, PLC

(57) **CLAIM**

The ornamental design for a portable electric driver, as shown and described.

**DESCRIPTION**

FIG. 1 is a perspective view of a portable electric driver showing our new design;

FIG. 2 is a front elevation view thereof;

FIG. 3 is a rear elevation view thereof;

FIG. 4 is a left side elevation view thereof;

FIG. 5 is a right side elevation view thereof;

FIG. 6 is a top plan view thereof; and,

FIG. 7 is a bottom plan view thereof.

**1 Claim, 5 Drawing Sheets**





FIG. 1



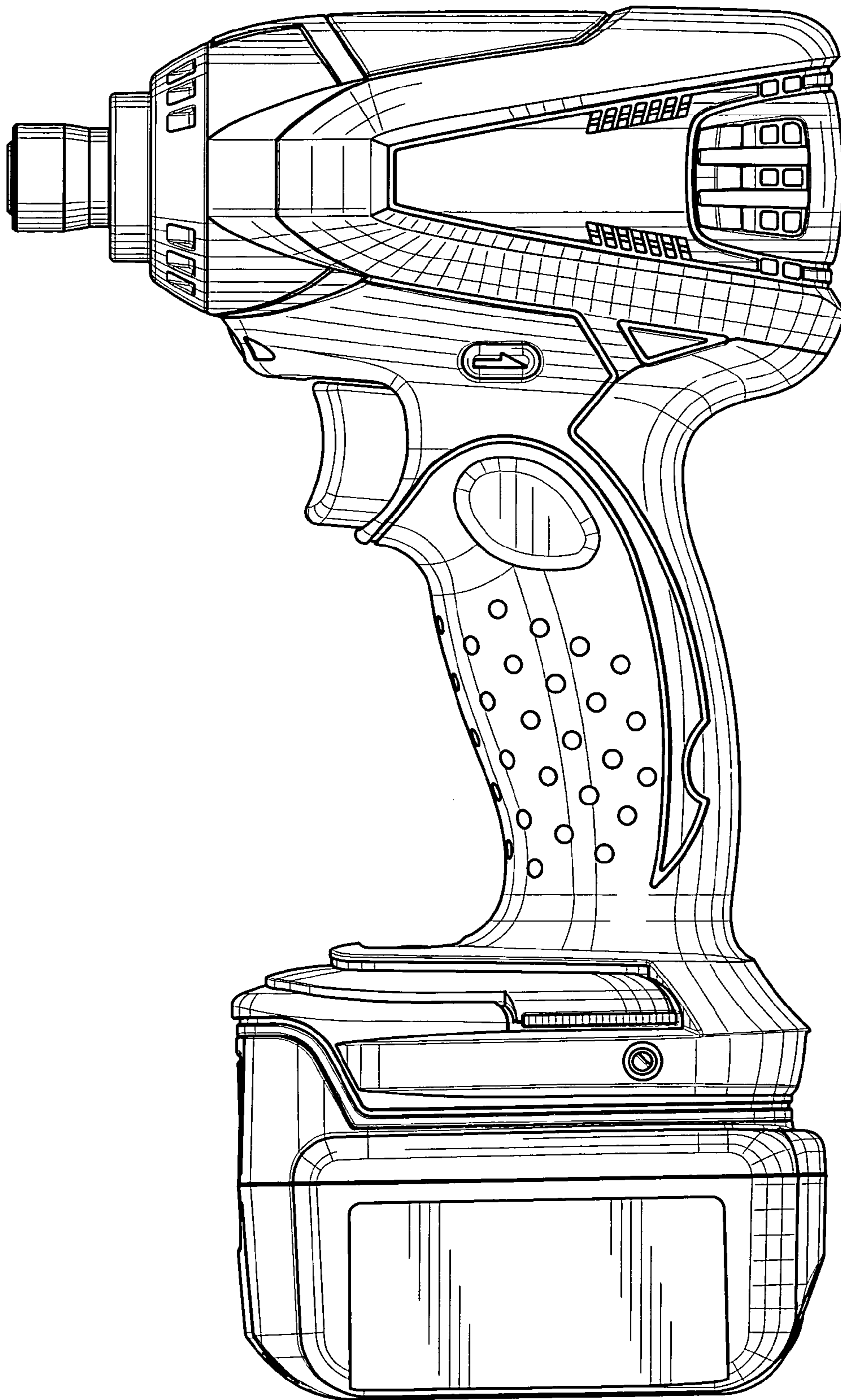


FIG. 2

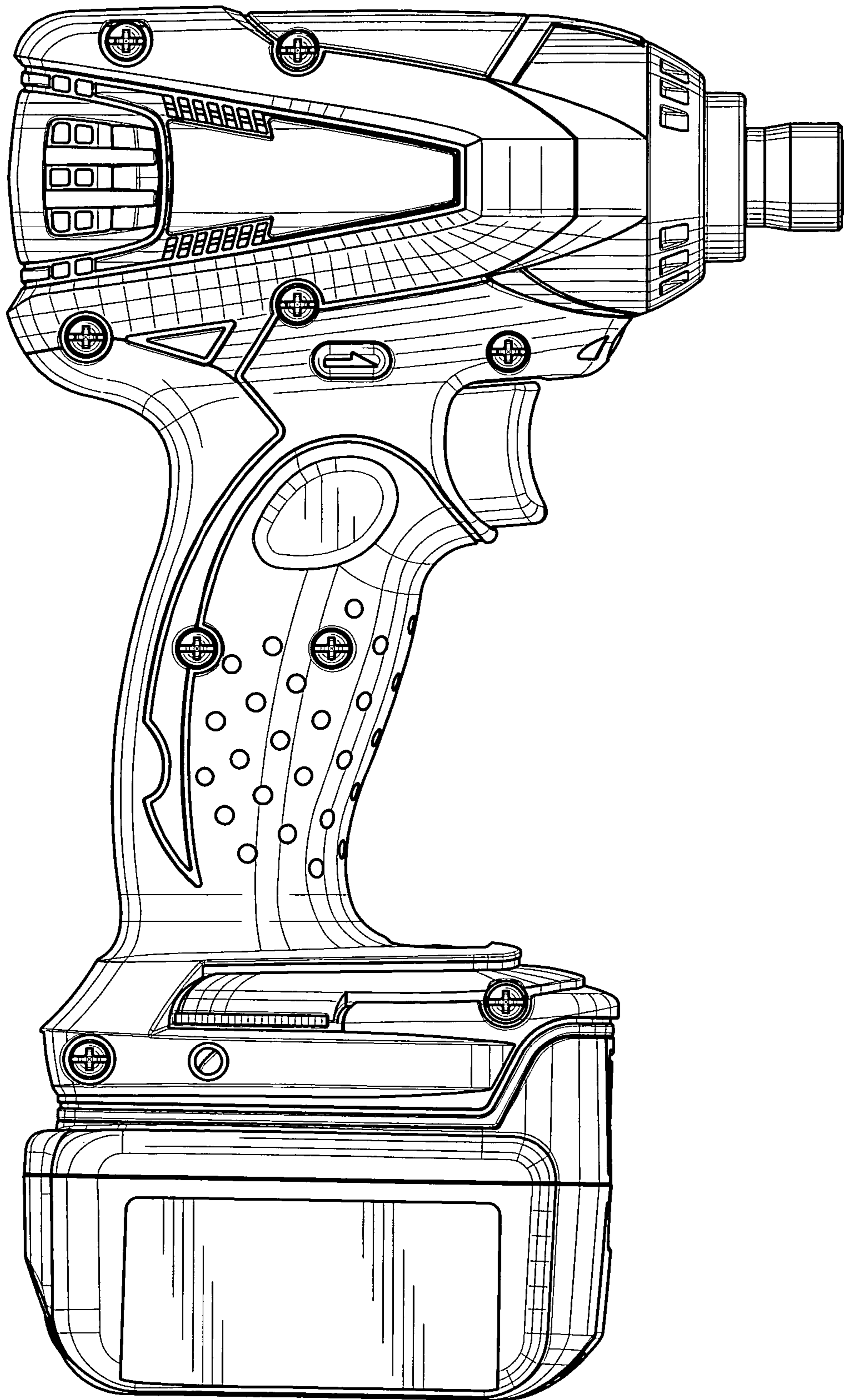


FIG. 3

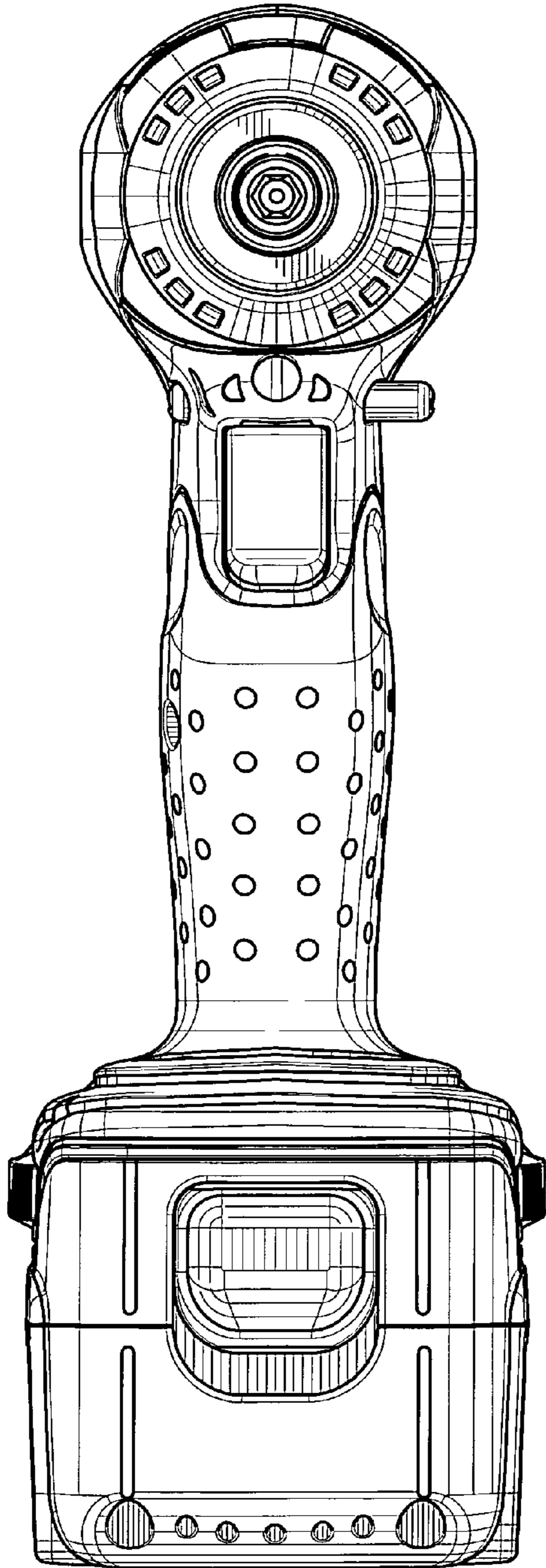


FIG. 4

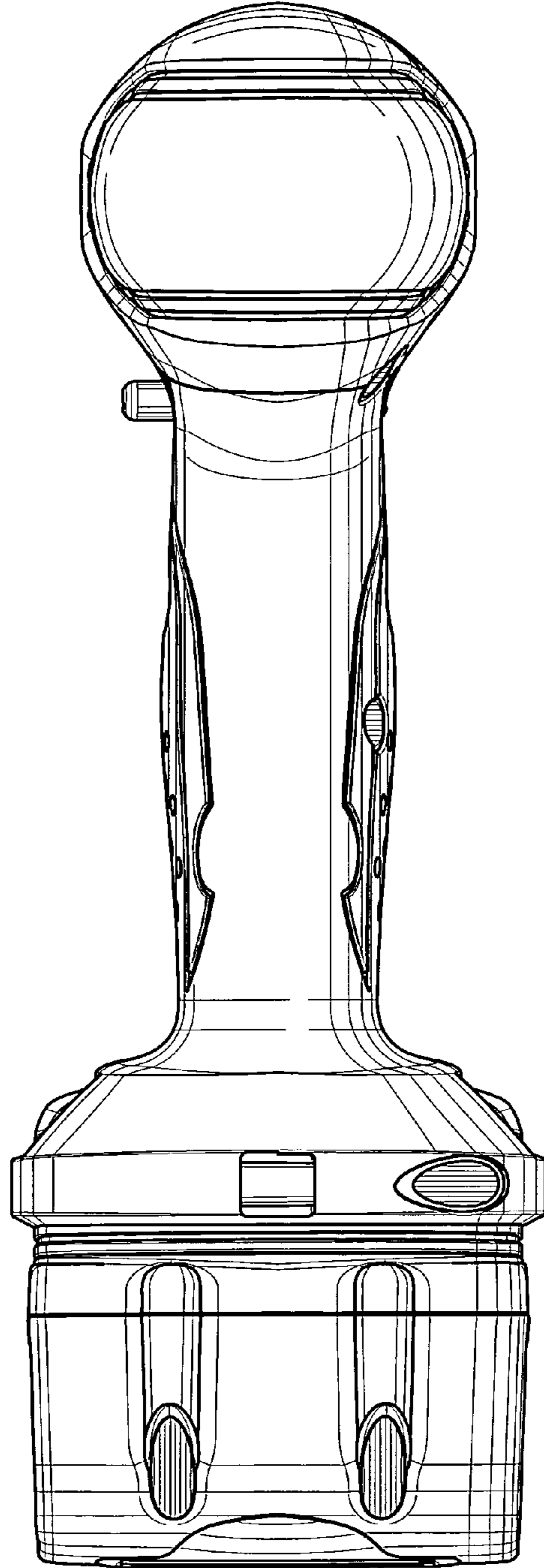


FIG. 5



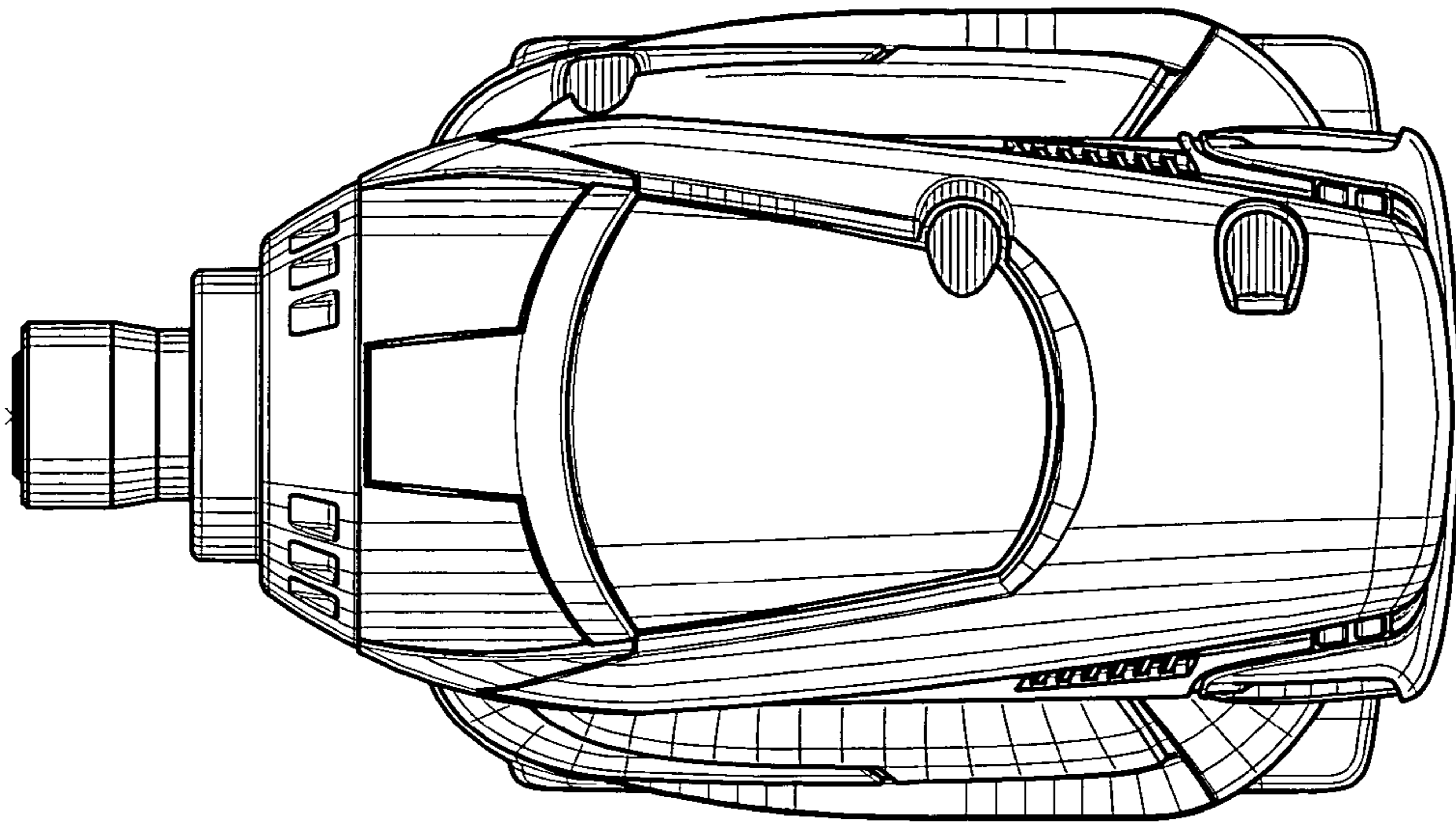


FIG. 6

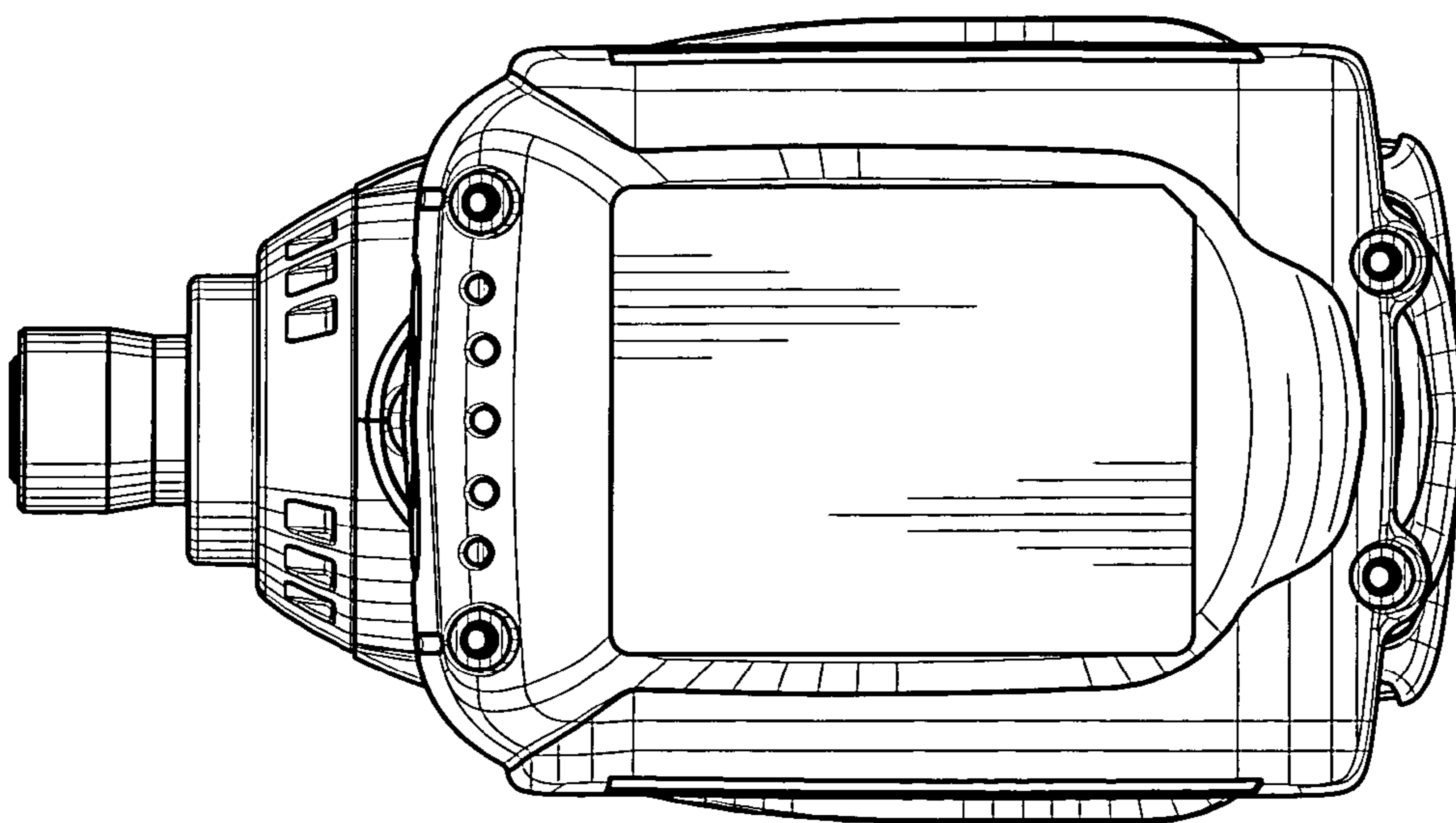


FIG. 7