



US00D606373S

(12) **United States Design Patent**
McCaffery et al.

(10) **Patent No.:** **US D606,373 S**
(45) **Date of Patent:** **** Dec. 22, 2009**

(54) **FUNNEL**

6,539,991 B1 * 4/2003 Ackerman 141/331

(75) Inventors: **Timothy R. McCaffery**, Boston, MA
(US); **Zachary Zguris**, Canterbury, NH
(US)

* cited by examiner

Primary Examiner—Terry A Wallace
(74) *Attorney, Agent, or Firm*—Grossman Tucker Perreault &
Pfleger PLLC

(73) Assignee: **Lime Design, Inc.**, Boston, MA (US)

(**) Term: **14 Years**

(57) **CLAIM**

(21) Appl. No.: **29/328,799**

The ornamental design for the funnel, as shown and
described.

(22) Filed: **Dec. 2, 2008**

DESCRIPTION

(51) **LOC (9) Cl.** **07-99**

FIG. 1 is a perspective view of the funnel of the present
invention;

(52) **U.S. Cl.** **D7/700**

FIG. 2 is a front view thereof;

(58) **Field of Classification Search** D7/700,

FIG. 3 is a rear view thereof;

D7/400; 141/95, 98, 297–300, 331–345

FIG. 4 is left side view thereof;

See application file for complete search history.

FIG. 5 is a right side view thereof;

(56) **References Cited**

U.S. PATENT DOCUMENTS

5,762,120 A * 6/1998 Smith 141/340

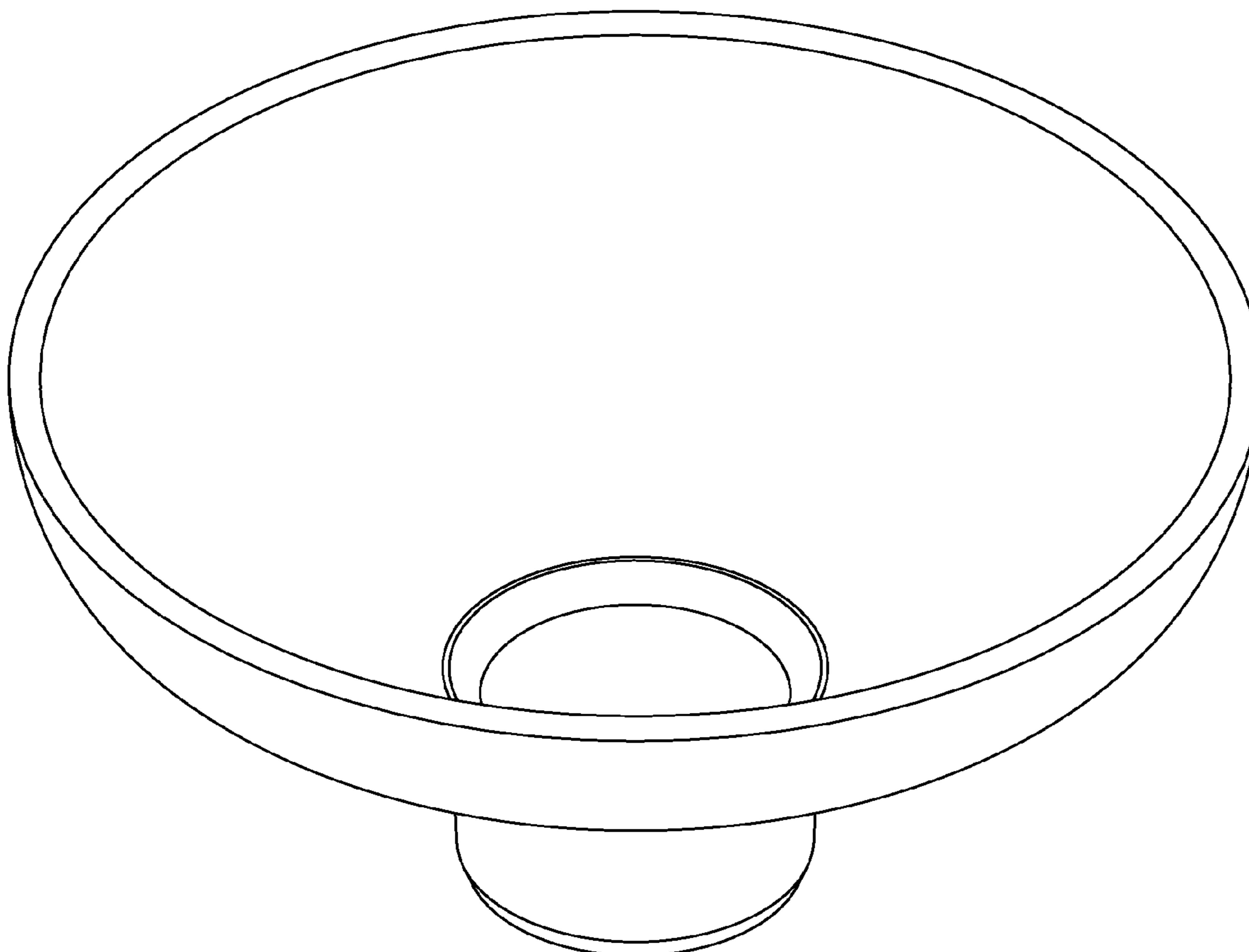
D404,617 S * 1/1999 Mick et al. D7/700

5,871,037 A * 2/1999 Feldt 141/391

FIG. 6 is a top plan view thereof; and,

FIG. 7 is a bottom plan view thereof.

1 Claim, 7 Drawing Sheets



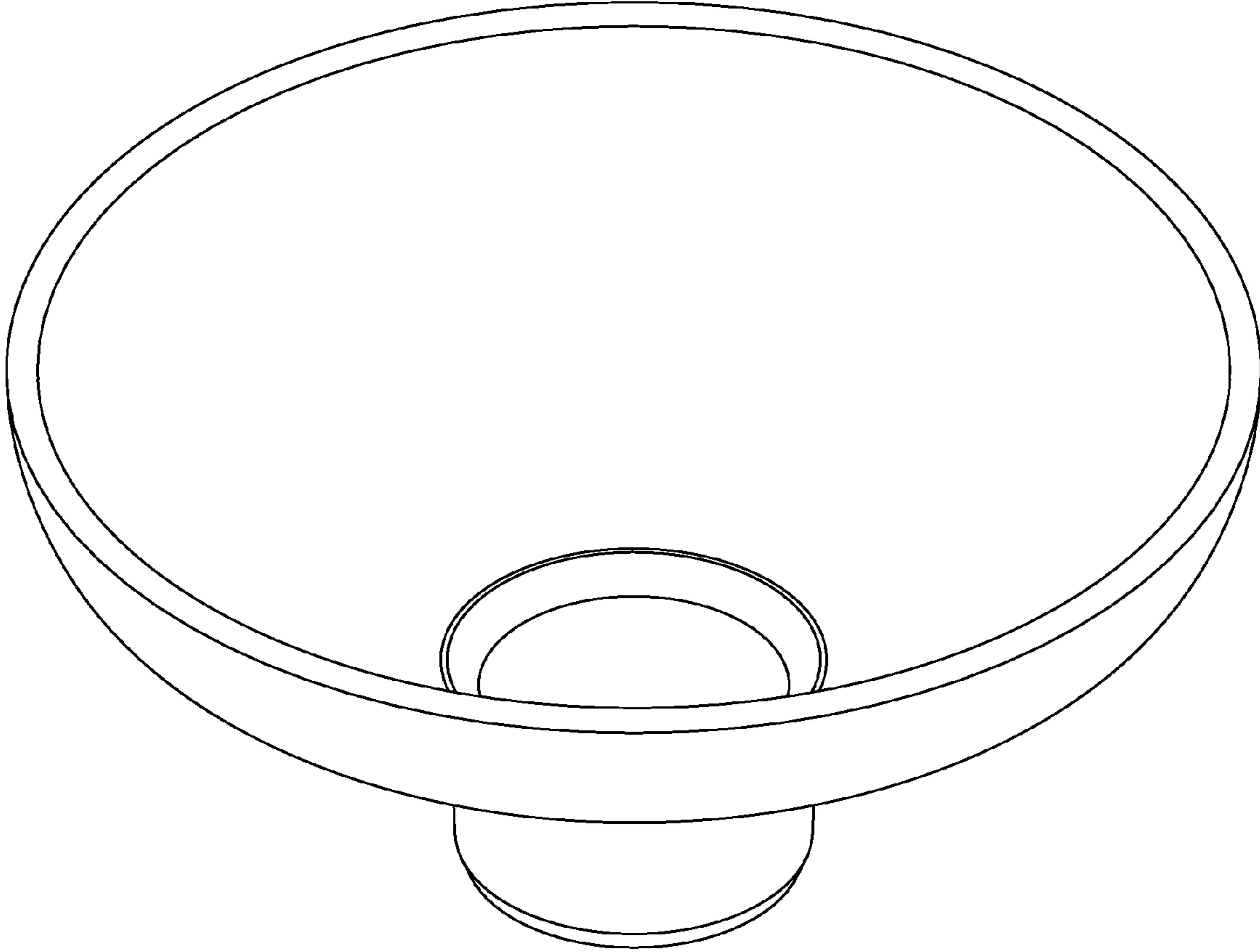


FIG 1.

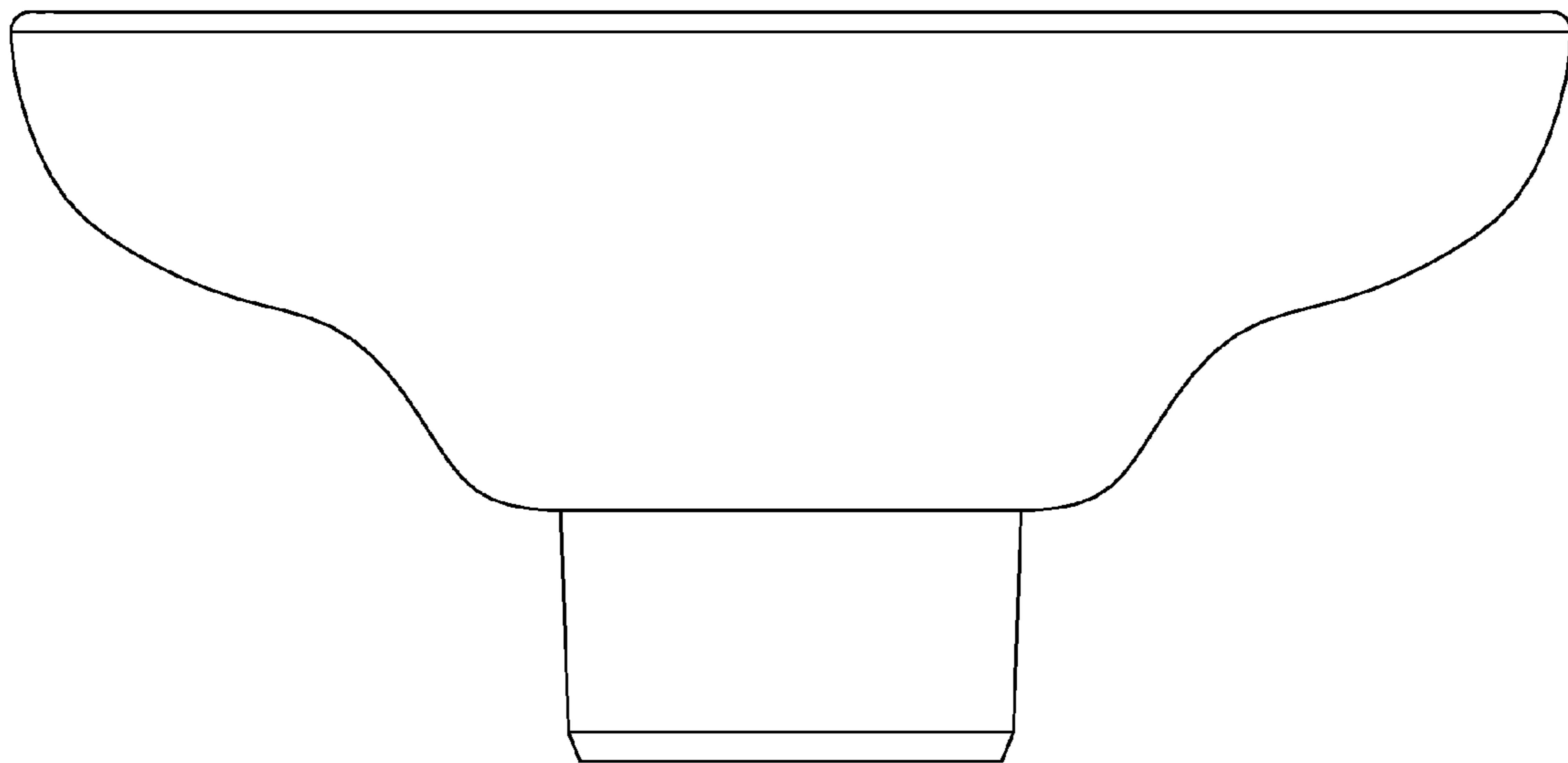


FIG. 2

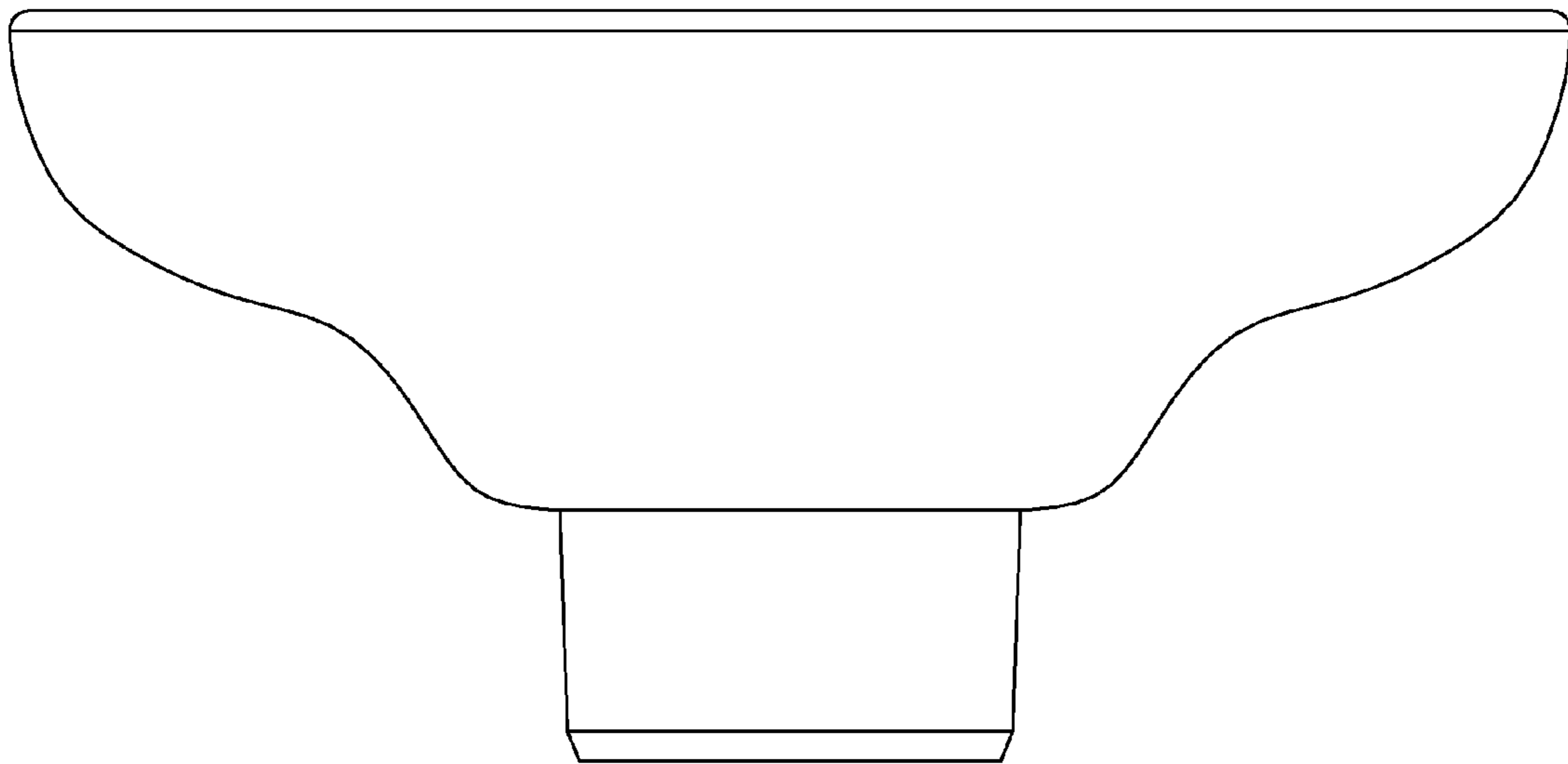


FIG. 3

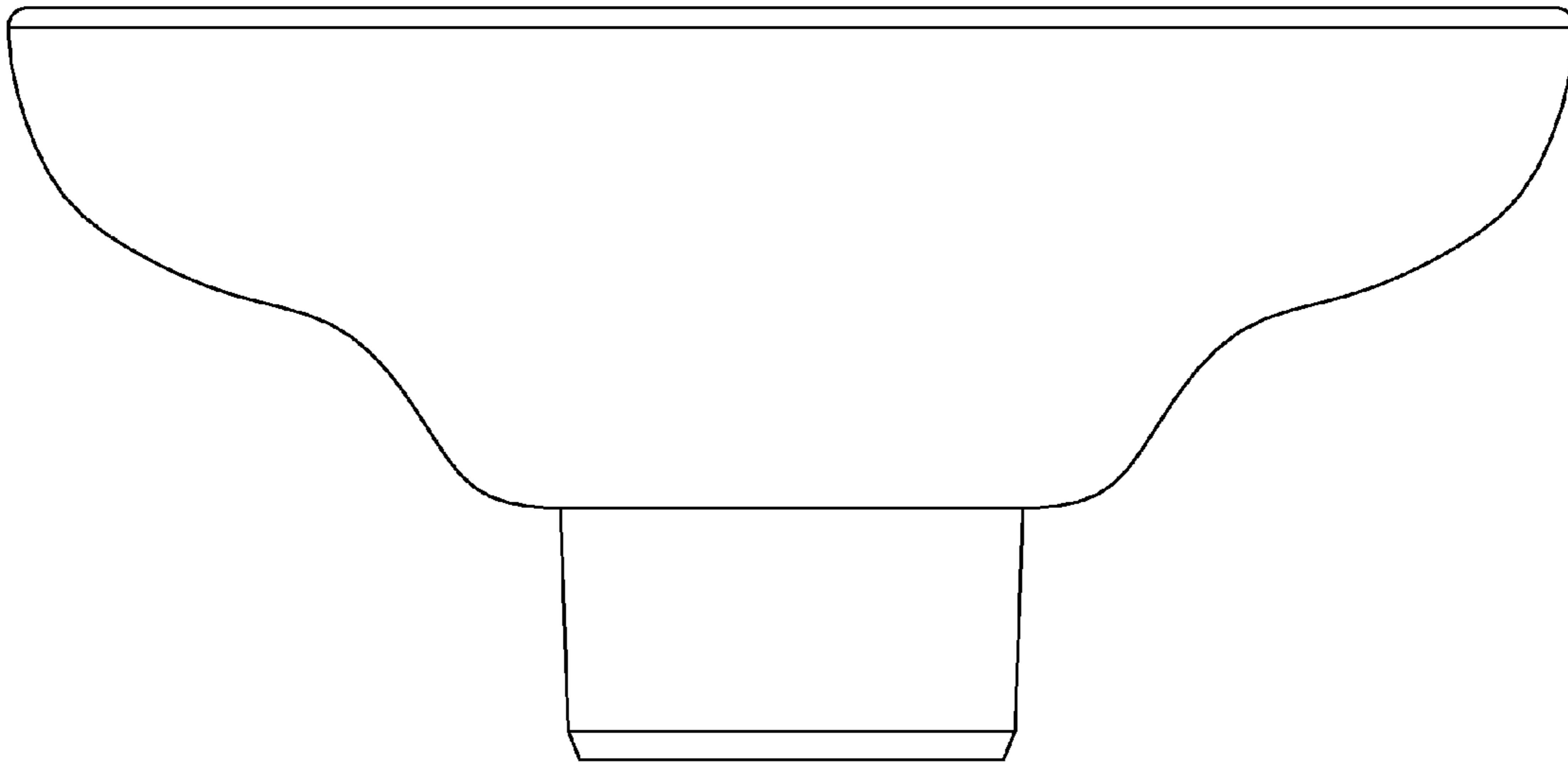


FIG. 4

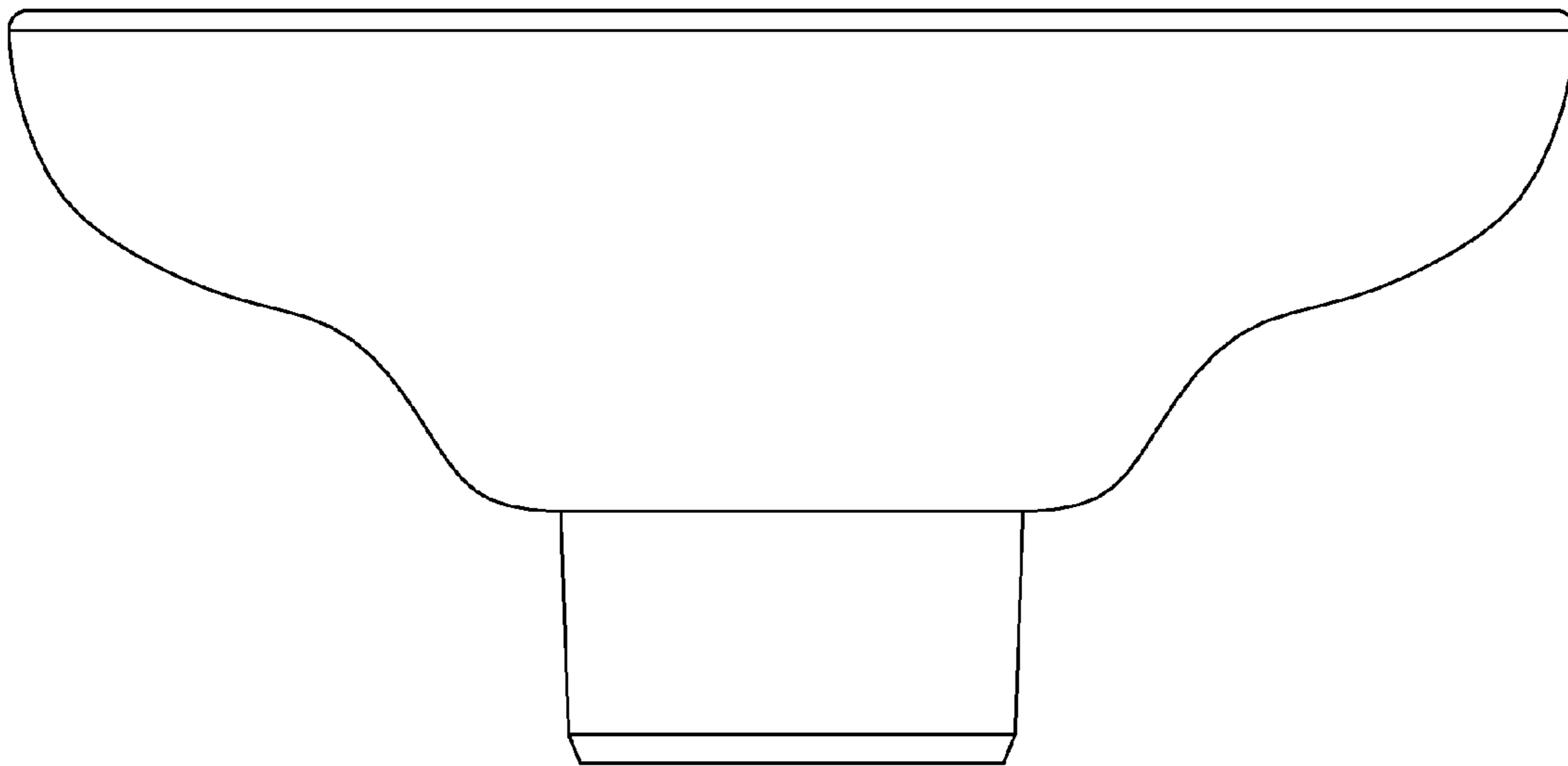


FIG. 5

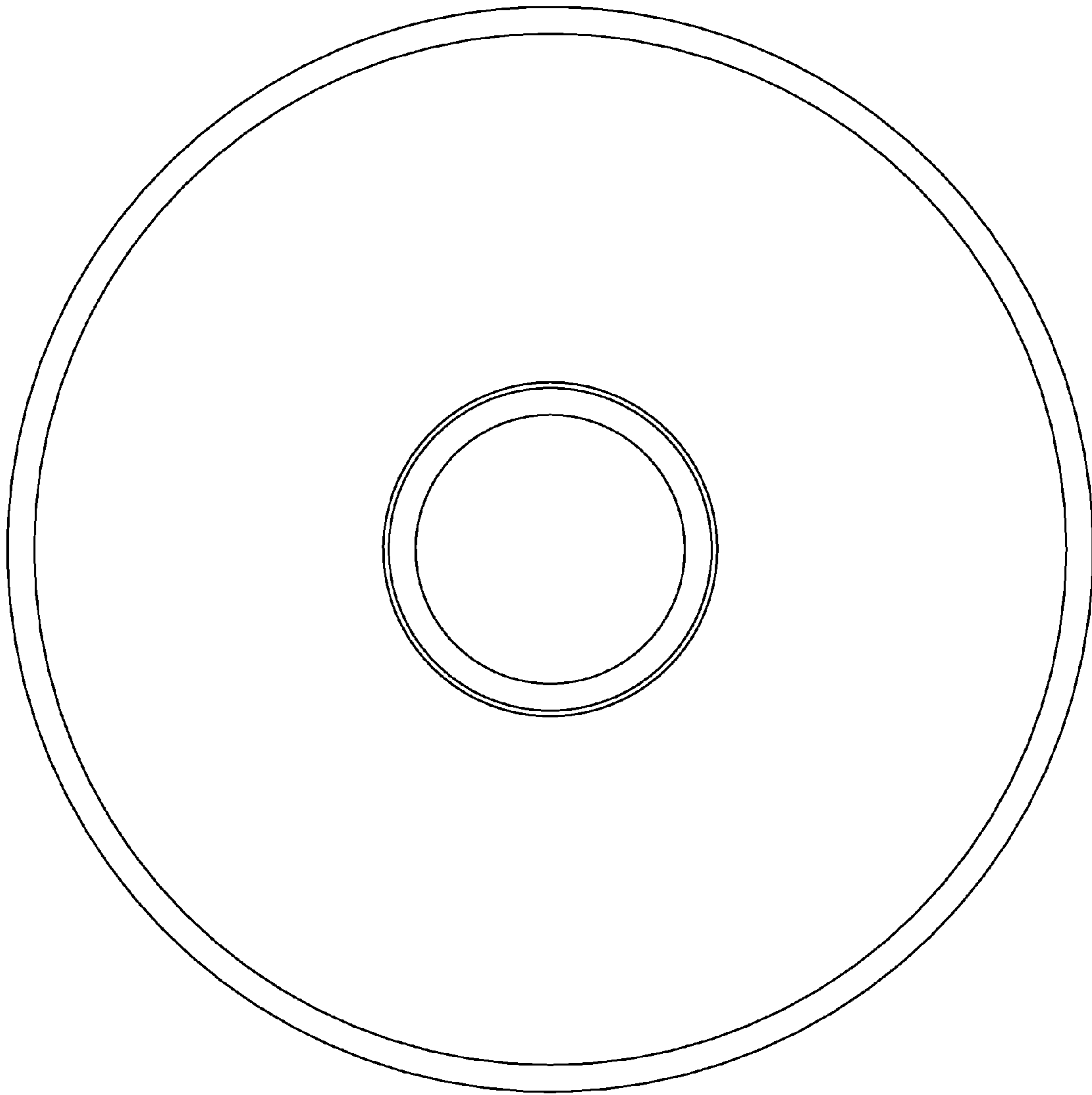


FIG. 6

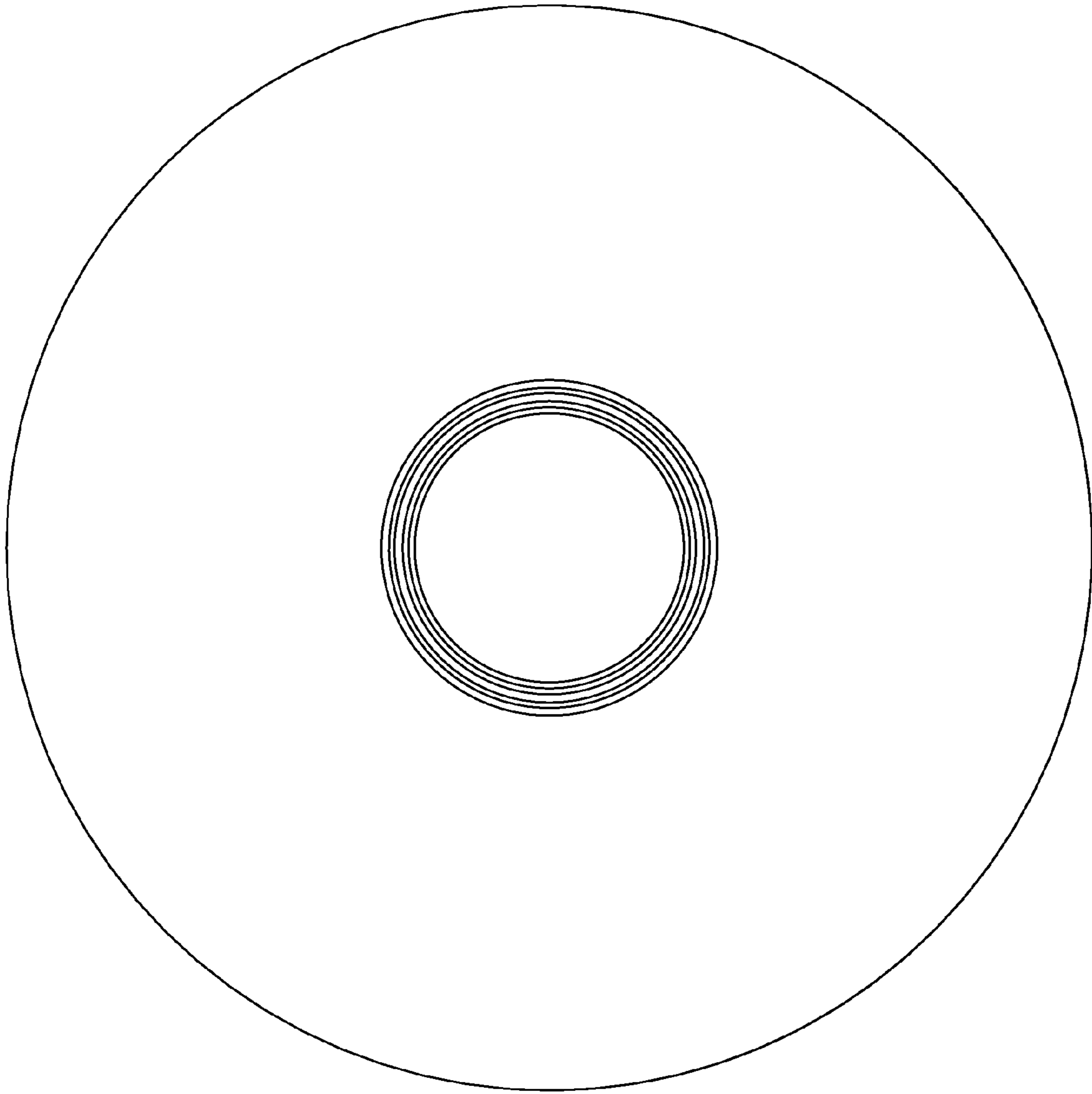


FIG. 7