



US00D606370S

(12) **United States Design Patent**
Araiza et al.

(10) **Patent No.:** **US D606,370 S**
(45) **Date of Patent:** **** Dec. 22, 2009**

(54) **SAUTÉ TONGS**

3,937,510 A 2/1976 Lew

(75) Inventors: **Therese Araiza**, Cary, IL (US); **Nigel Wang**, Taipei (TW)

(Continued)

(73) Assignee: **Columbia Insurance Company**, Omaha, NE (US)

FOREIGN PATENT DOCUMENTS

DE 1116359 11/1961

(**) Term: **14 Years**

(Continued)

(21) Appl. No.: **29/330,298**

OTHER PUBLICATIONS

(22) Filed: **Jan. 5, 2009**

Kentucky Springs; Heimerdinger Cutlery Company Inc., Louisville Kentucky Since 1861; Salad Tongs by Kentucky Springs; <http://www.heimerdingercutlery.com/catalog/category.cfm?Category=145&CFID=7205227...>, Aug. 8, 2006.

(51) **LOC (9) Cl.** **07-06**

(52) **U.S. Cl.** **D7/686; D24/143**

(58) **Field of Classification Search** D7/368, D7/669, 683, 686, 687; D24/143; 294/99.1, 294/99.2, 118

(Continued)

See application file for complete search history.

Primary Examiner—Charles A Rademaker

Assistant Examiner—Dana L Sipos

(74) *Attorney, Agent, or Firm*—Neal Gerber & Eisenberg LLP

(56) **References Cited**

U.S. PATENT DOCUMENTS

389,925 A	9/1888	Griscom
772,566 A	10/1904	Hollowell
1,130,234 A	3/1915	Wrobel
1,260,302 A	3/1918	Barrows
1,432,412 A	10/1922	Rietveld
1,765,974 A	6/1930	Foltis
1,795,256 A	3/1931	Johnson
2,201,566 A	5/1940	Voelker
D138,917 S	9/1944	Frank
D144,310 S	4/1946	Moore
D149,817 S	6/1948	Jackson
2,670,234 A	2/1954	Roop
2,674,793 A	4/1954	Dominick
2,801,877 A	8/1957	Hetrick
2,839,325 A	6/1958	Jeanfavre
2,864,645 A	12/1958	Meldrum
D187,937 S	5/1960	Polk
D187,938 S	5/1960	Polk
2,994,553 A	8/1961	Banton
D193,440 S	8/1962	Vernon et al.
3,103,395 A	9/1963	Winberg
3,356,405 A	12/1967	Gruber
3,596,965 A	8/1971	Woofter

(57) **CLAIM**

The ornamental design for a sauté tongs, as shown and described.

DESCRIPTION

FIG. 1 is a top, front, right side perspective view of sauté tongs showing our new design;

FIG. 2 is a right side elevation view thereof;

FIG. 3 is a left side elevation view thereof;

FIG. 4 is a top plan view thereof;

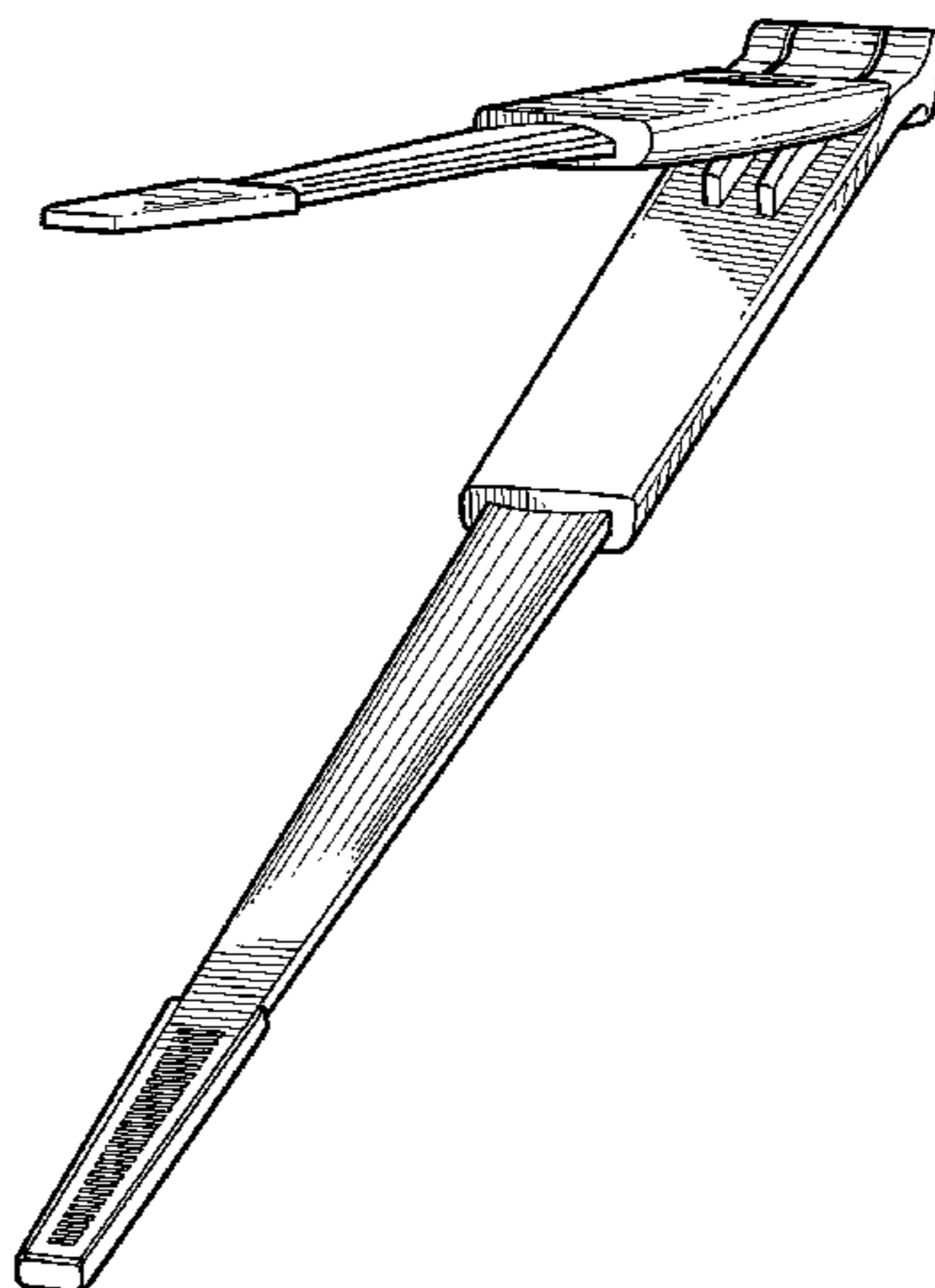
FIG. 5 is a bottom plan view thereof;

FIG. 6 is a front elevation view thereof;

FIG. 7 is a rear elevation view thereof; and,

FIG. 8 is a top front perspective view thereof, shown in a closed position.

1 Claim, 6 Drawing Sheets



U.S. PATENT DOCUMENTS

3,957,298 A 5/1976 Purchase
 4,103,395 A 8/1978 Latorella
 D253,803 S 1/1980 Daemem
 419,180 A 4/1980 Kelly
 D277,446 S 2/1985 Hollinshead
 D285,518 S 9/1986 Hollinshead
 4,609,132 A 9/1986 Brokenshire
 4,663,806 A 5/1987 Mangum
 4,728,139 A 3/1988 Oretti
 D298,398 S 11/1988 Trahar
 4,890,549 A 1/1990 Steiner et al.
 4,955,971 A 9/1990 Goulter
 4,964,663 A 10/1990 Jermyn
 5,054,835 A 10/1991 Loechel et al.
 5,199,756 A 4/1993 Bartlett
 D351,534 S 10/1994 Weber
 5,385,376 A 1/1995 Malaspina et al.
 5,439,012 A 8/1995 D'Agostino
 D364,783 S 12/1995 Weber
 5,487,578 A * 1/1996 Williams 294/99.2
 5,551,741 A 9/1996 LaBocchetta
 5,564,146 A 10/1996 Luu
 5,634,719 A 6/1997 La Neve
 D396,612 S 8/1998 Lillelund et al.
 5,791,053 A 8/1998 Koong
 D406,734 S 3/1999 Doherty et al.
 5,934,721 A 8/1999 Walde
 D414,988 S 10/1999 Santini
 6,056,338 A 5/2000 Kerr
 6,089,631 A 7/2000 Thurlow
 6,092,847 A 7/2000 Kwan
 D435,201 S 12/2000 Wang
 D442,440 S 5/2001 Kopasi
 D442,835 S 5/2001 Kopasi
 6,352,293 B1 3/2002 Baschenis
 D459,954 S 7/2002 Wang et al.
 6,536,819 B2 3/2003 Wang et al.

6,568,728 B1 5/2003 Wang
 6,581,997 B1 6/2003 Martikainen et al.
 D477,504 S 7/2003 Rowe et al.
 D481,915 S 11/2003 Mezger-Boehringer
 D488,032 S 4/2004 Best et al.
 6,726,263 B2 4/2004 Wang et al.
 D491,028 S 6/2004 Claypool et al.
 6,869,117 B1 3/2005 Blum
 7,086,676 B2 8/2006 Sumter et al.
 7,311,344 B2 12/2007 Kerr et al.
 D575,596 S 8/2008 Araiza et al.
 D593,382 S * 6/2009 Lion et al. D7/686
 2001/0033083 A1 10/2001 Kaposi
 2001/0045753 A1 11/2001 Lewis
 2002/0108256 A1 8/2002 Egelund et al.
 2004/0026939 A1 2/2004 Jordan et al.
 2004/0026940 A1 2/2004 Kahler et al.
 2004/0104586 A1 6/2004 Rose
 2005/0145733 A1 7/2005 Silver et al.
 2008/0088142 A1 4/2008 Lubenesky et al.

FOREIGN PATENT DOCUMENTS

DE 2551501 6/1977
 DE 10 2004 050 632 A1 10/2004
 FR 811925 4/1937
 FR 1093186 5/1955
 FR 1213339 3/1960
 GB 454171 9/1936
 WO WO 2004/039228 5/2004

OTHER PUBLICATIONS

COOKING.COM; Amco; Black Nylon Locking Tongs (12-in);
<http://www.cooking.com/products/shprodde.asp?SKU=134287>;
 Aug. 18, 2004.
 U.S. Appl. No. 11/848,734 entitled "Combination Breeding Tongs
 And Dipping Tool" filed Aug. 31, 2007.

* cited by examiner

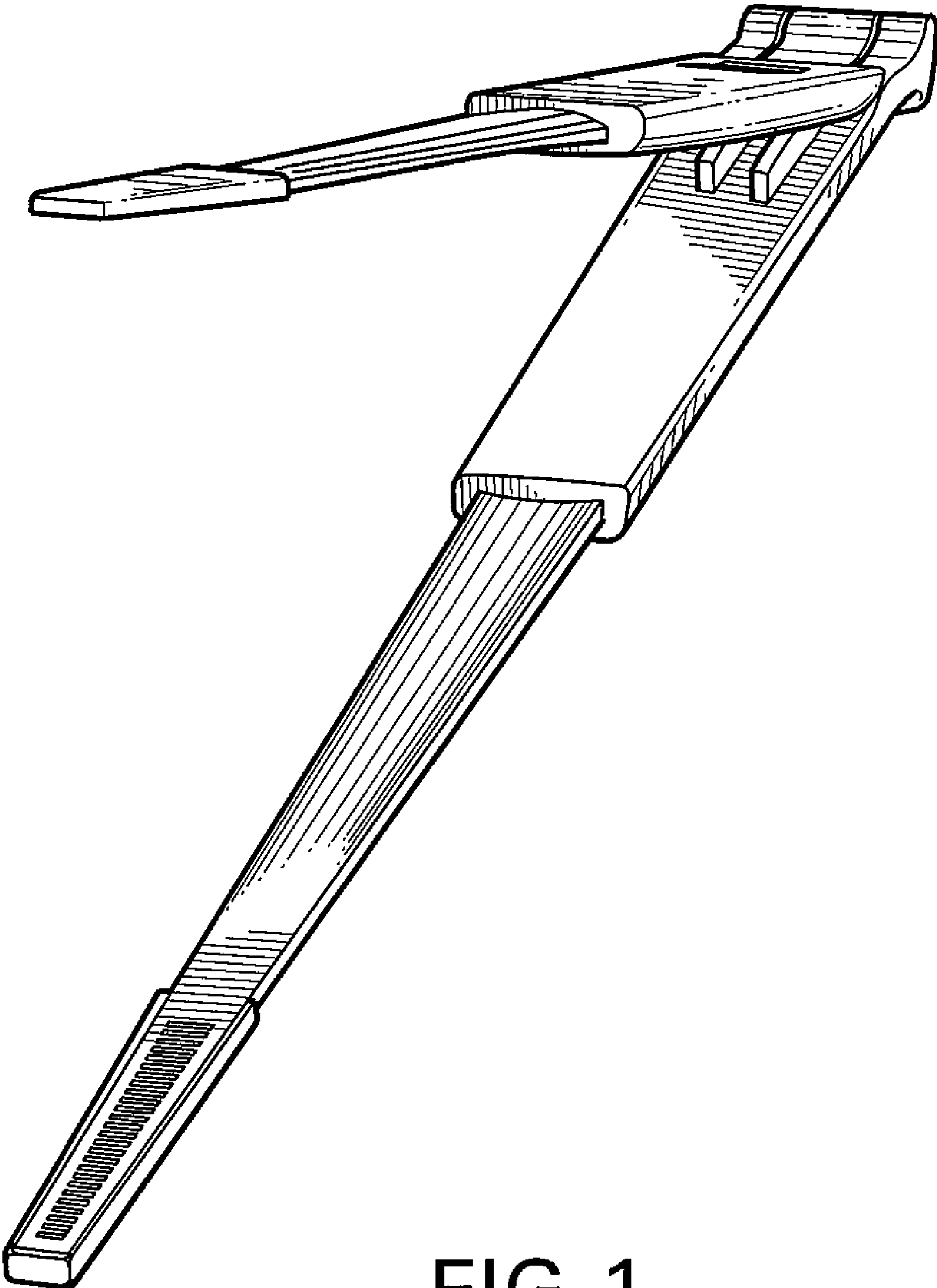


FIG. 1

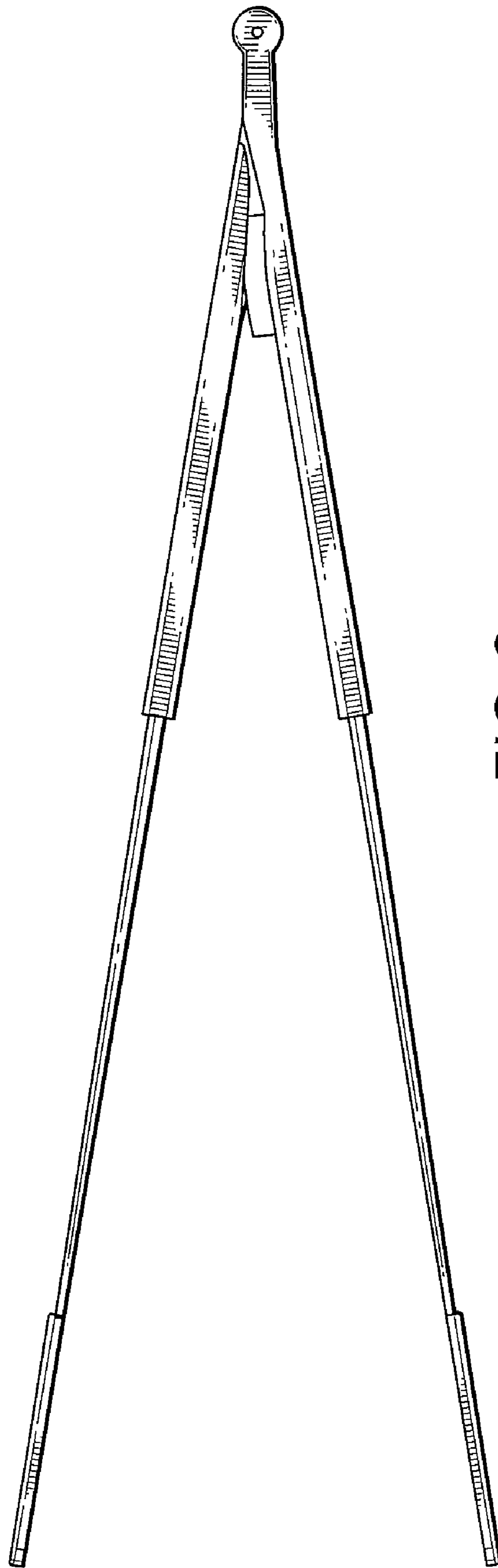


FIG. 2

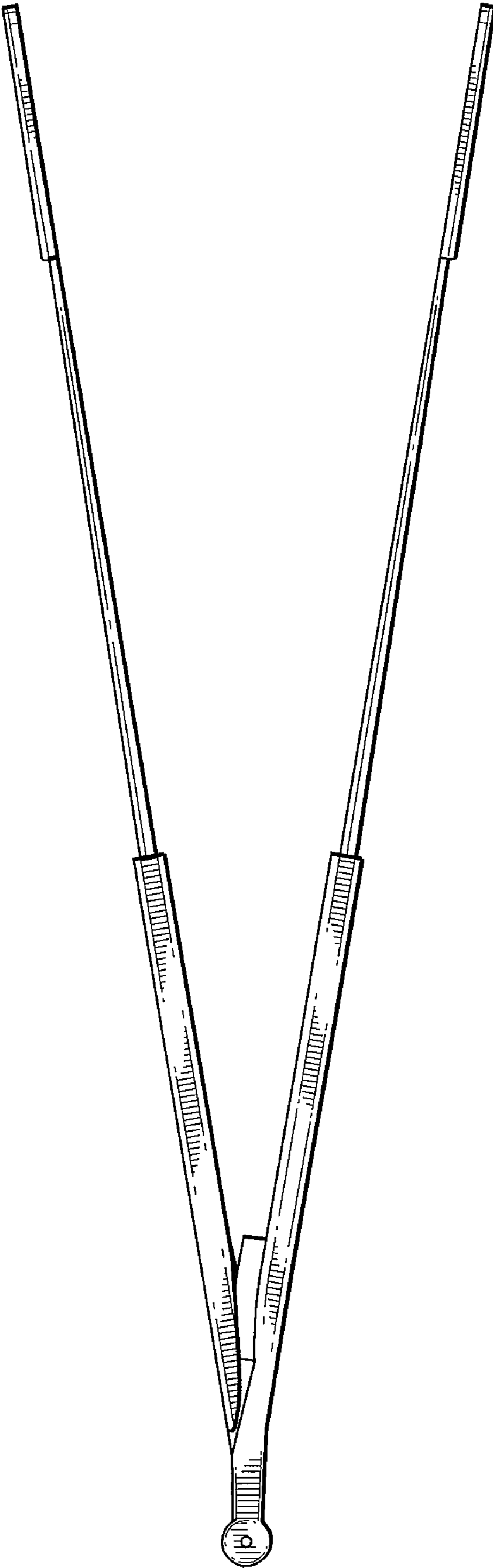


FIG. 3

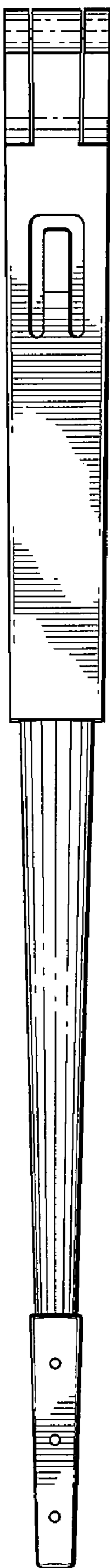


FIG. 4

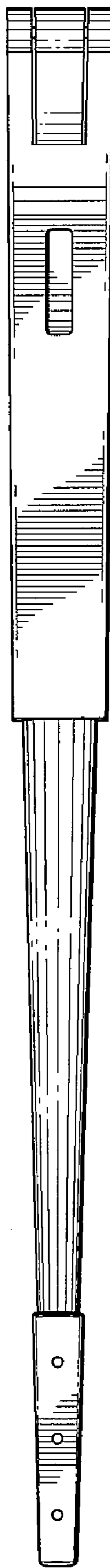


FIG. 5

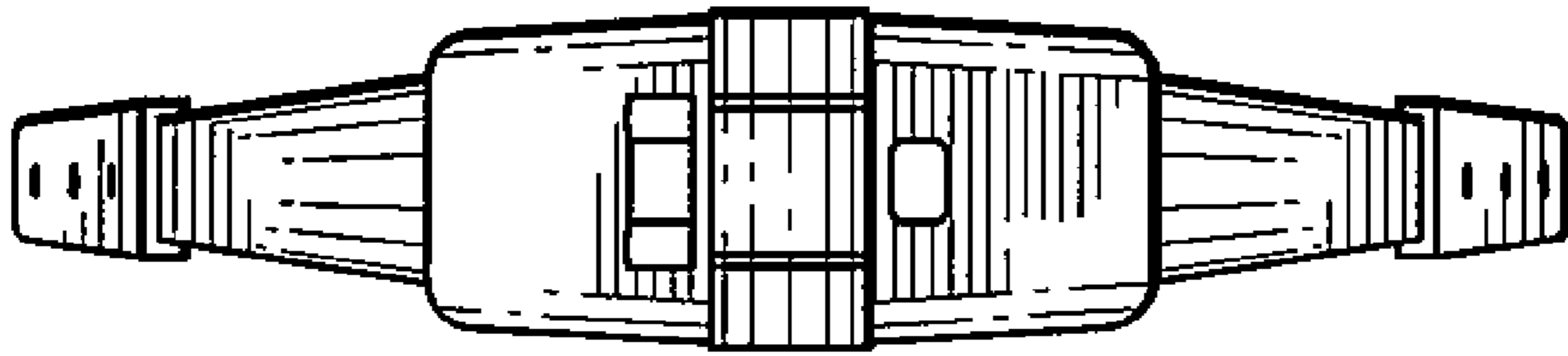


FIG. 6

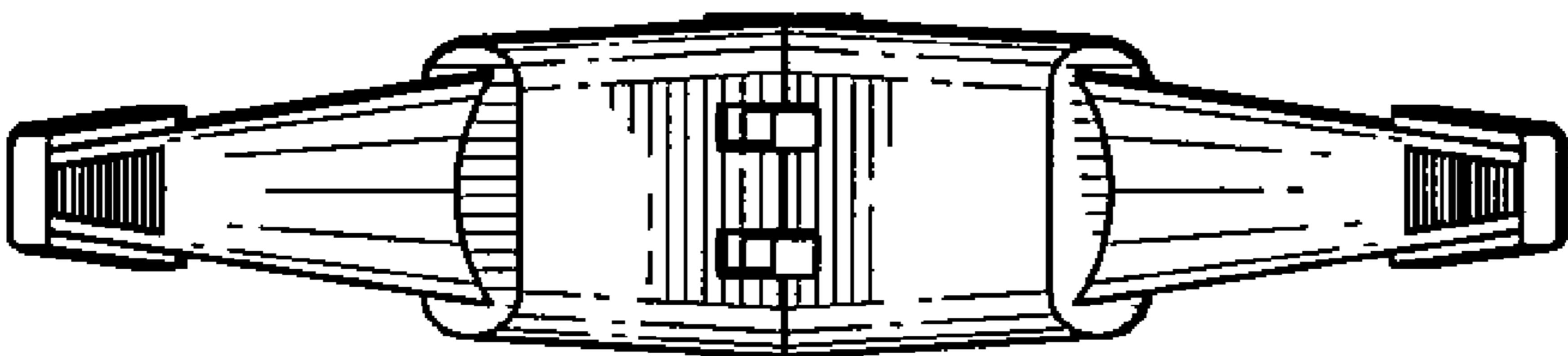


FIG. 7

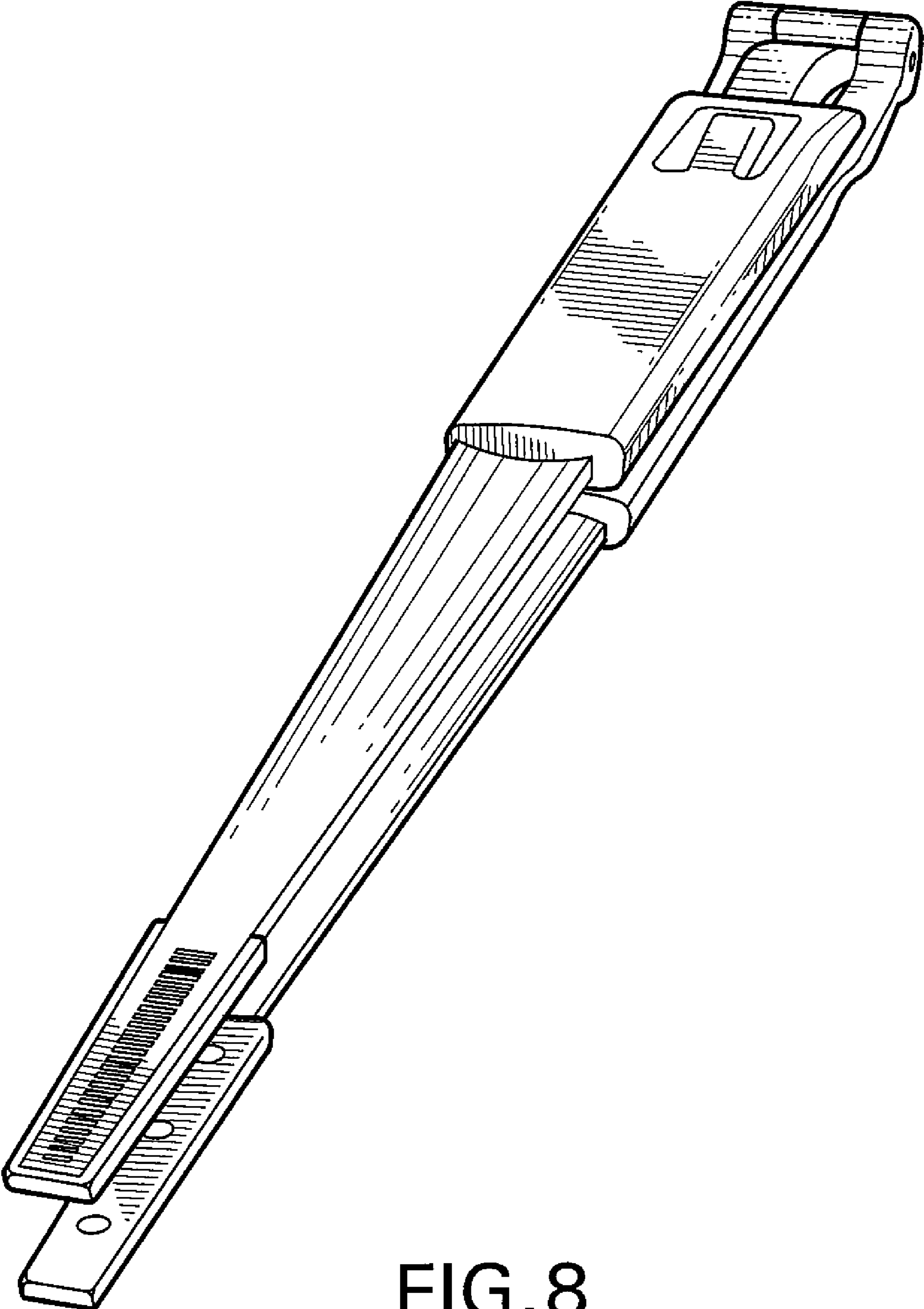


FIG. 8