



US00D606368S

(12) **United States Design Patent**
Wu

(10) **Patent No.:** **US D606,368 S**

(45) **Date of Patent:** **** Dec. 22, 2009**

(54) **CIRCULAR FOOD CONTAINER**

(76) Inventor: **Jingdong Wu**, Room 503, 1st Block,
Zhongshan 3rd Street, Taicheng Town,
Taishan City, Guangdong Province (CN)

(**) Term: **14 Years**

(21) Appl. No.: **29/284,955**

(22) Filed: **Sep. 18, 2007**

(51) **LOC (9) Cl.** **07-07**

(52) **U.S. Cl.** **D7/629**

(58) **Field of Classification Search** D7/601,
D7/602, 629, 538-542; D9/424-432; 220/780-806,
220/574-575

See application file for complete search history.

(56) **References Cited**

U.S. PATENT DOCUMENTS

3,448,888	A *	6/1969	Collie et al.	220/781
4,471,880	A *	9/1984	Taylor et al.	220/792
5,356,026	A *	10/1994	Andress et al.	220/792
D383,671	S *	9/1997	Phillips	D9/429
D411,714	S *	6/1999	Wilson et al.	D7/629
D469,320	S *	1/2003	Pettaweebuncha	D7/629
D491,024	S *	6/2004	Welsh	D7/629
D506,106	S *	6/2005	Ordiway et al.	D7/629
D545,137	S *	6/2007	Furlong et al.	D7/629
D551,516	S *	9/2007	Kortleven	D7/629

FOREIGN PATENT DOCUMENTS

CN	3630081	4/2007
CN	300686069	9/2007

* cited by examiner

Primary Examiner—Terry A Wallace

(74) *Attorney, Agent, or Firm*—Schmeiser, Olsen & Watts

(57) **CLAIM**

The ornamental design of a circular food container, as shown and described.

DESCRIPTION

FIG. 1 is a perspective view of the circular food container according to my design, as seen from above.

FIG. 2 is a perspective view of the circular food container of FIG. 1.

FIG. 3 is a perspective view of the circular food container of FIG. 1, as seen from below.

FIG. 4 is a perspective view of the circular food container of FIG. 1, as seen from above, with the lid separated.

FIG. 5 is a perspective view of the circular food container of FIG. 1, as seen from side, with the lid separated.

FIG. 6 is a perspective view of the circular food container of FIG. 1, as seen from below, with the lid separated.

FIG. 7 is a side view of the circular food container of FIG. 1.

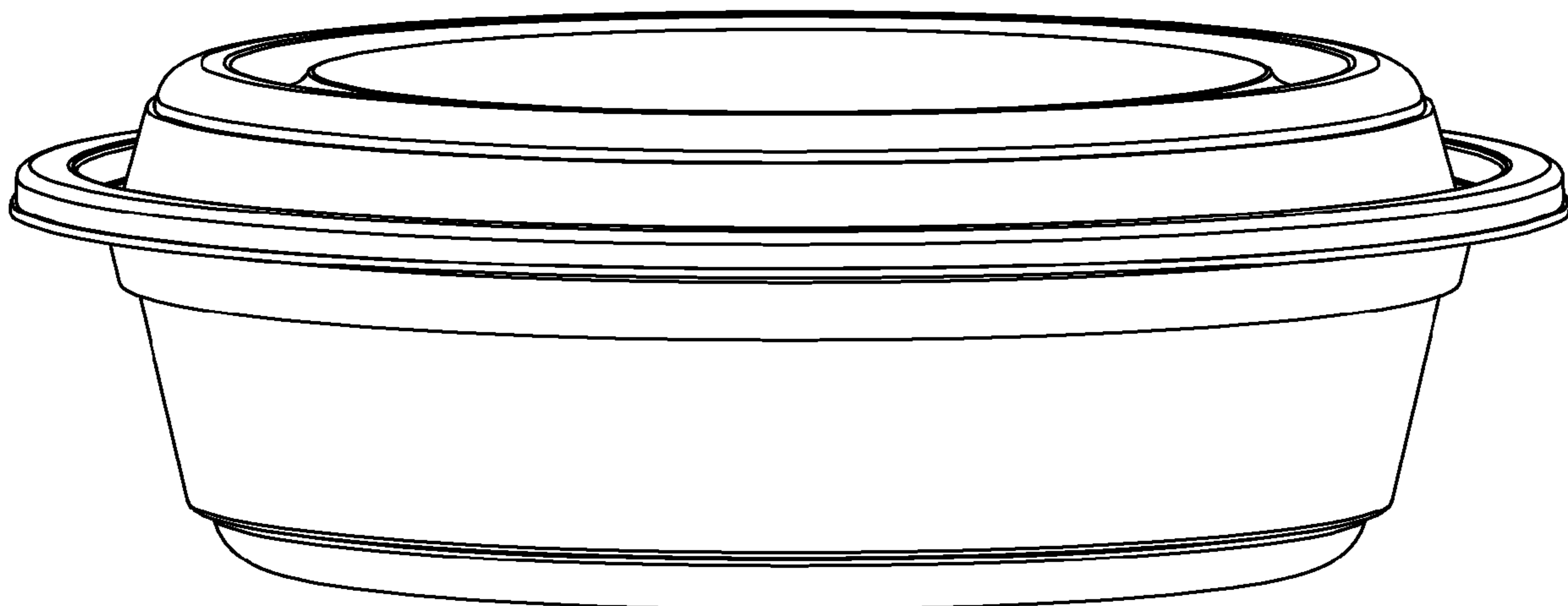
FIG. 8 is a side view of the circular food container of FIG. 1, with the lid separated.

FIG. 9 is a top plan view of the circular food container of FIG. 1.

FIG. 10 is a bottom plan view of the circular food container of FIG. 1; and,

FIG. 11 is a across sectional view through line 11—11 of FIG. 1.

1 Claim, 11 Drawing Sheets



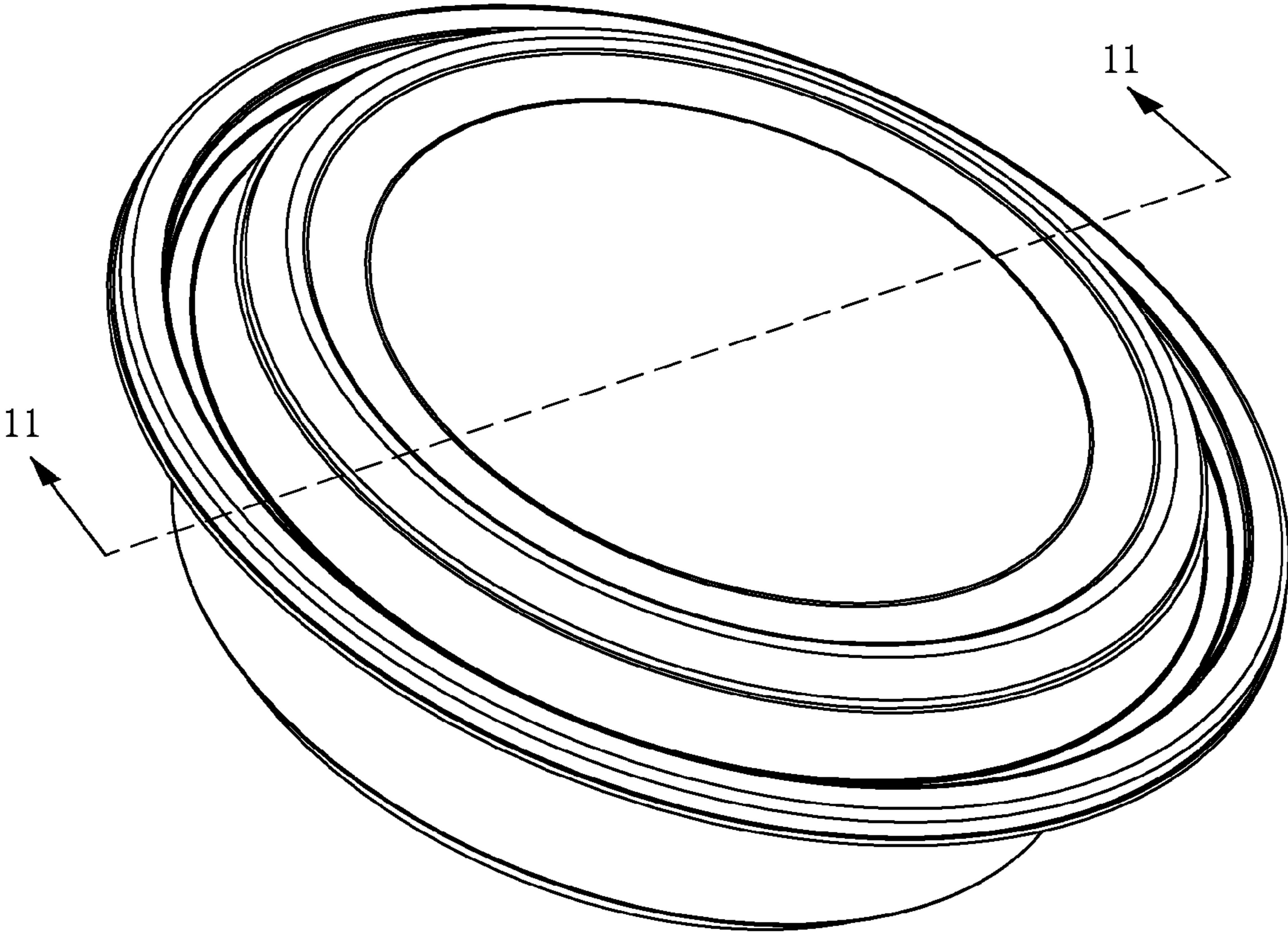


FIG. 1

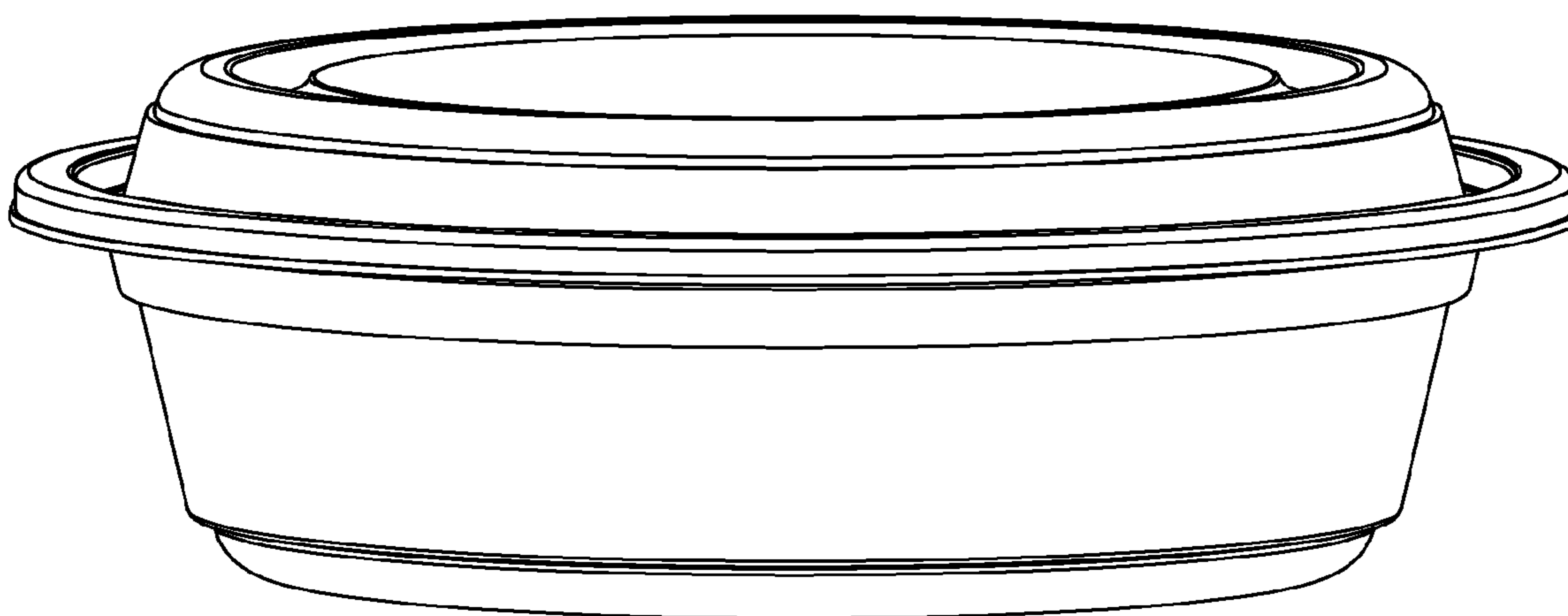


FIG. 2

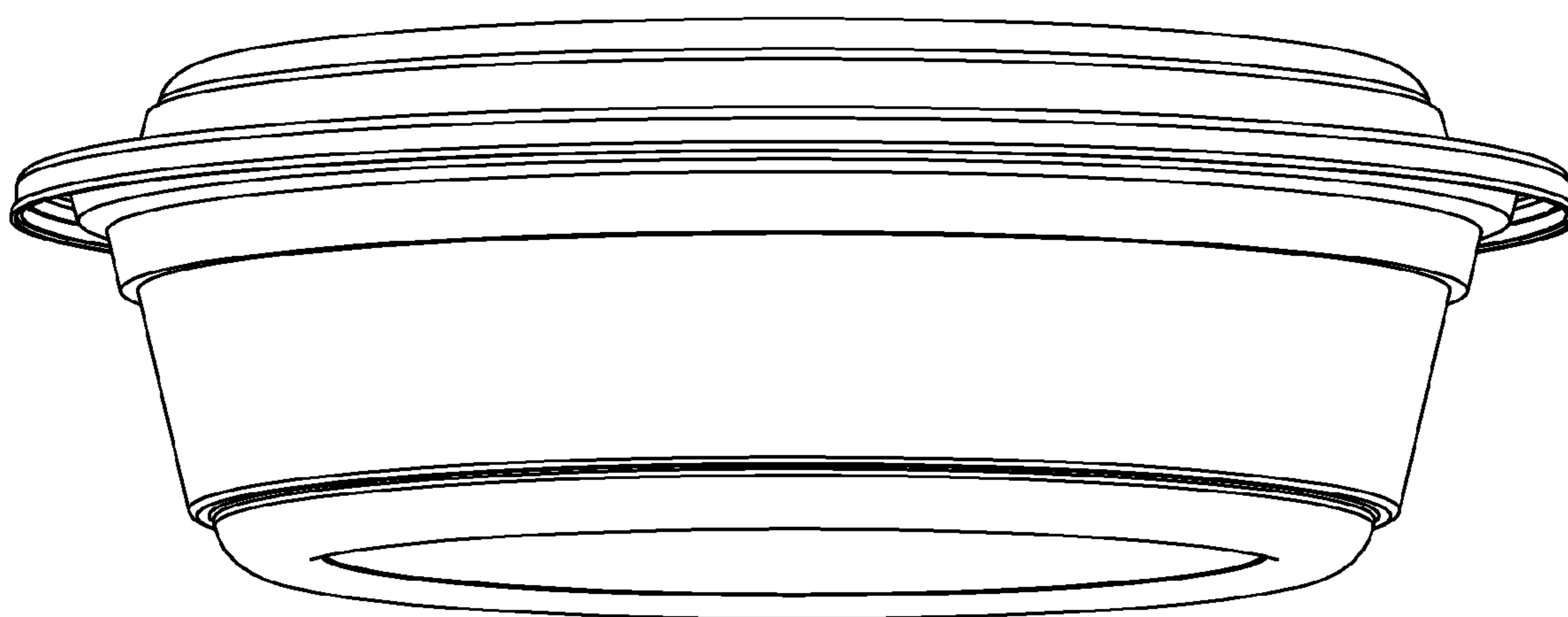


FIG. 3

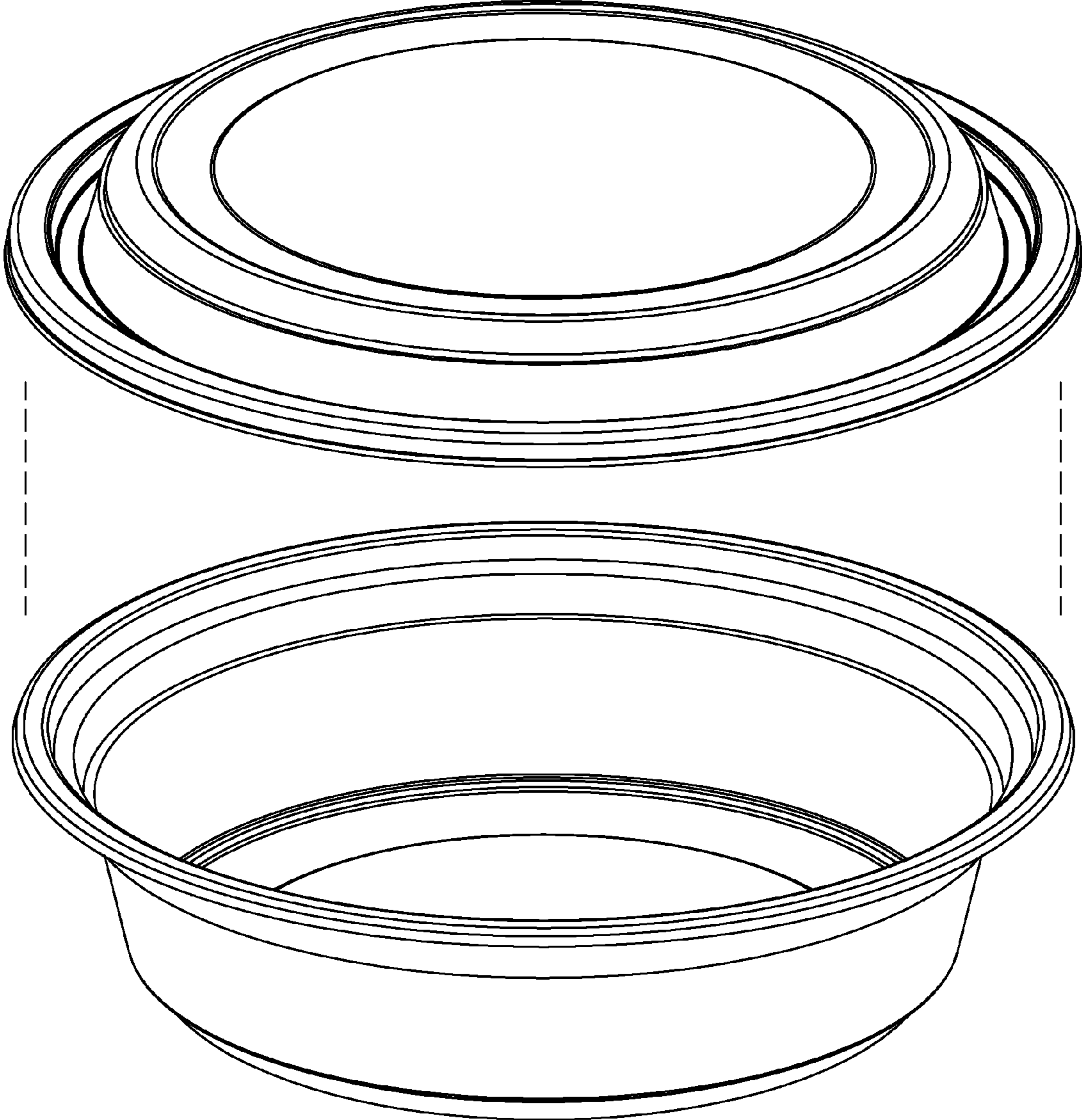


FIG. 4

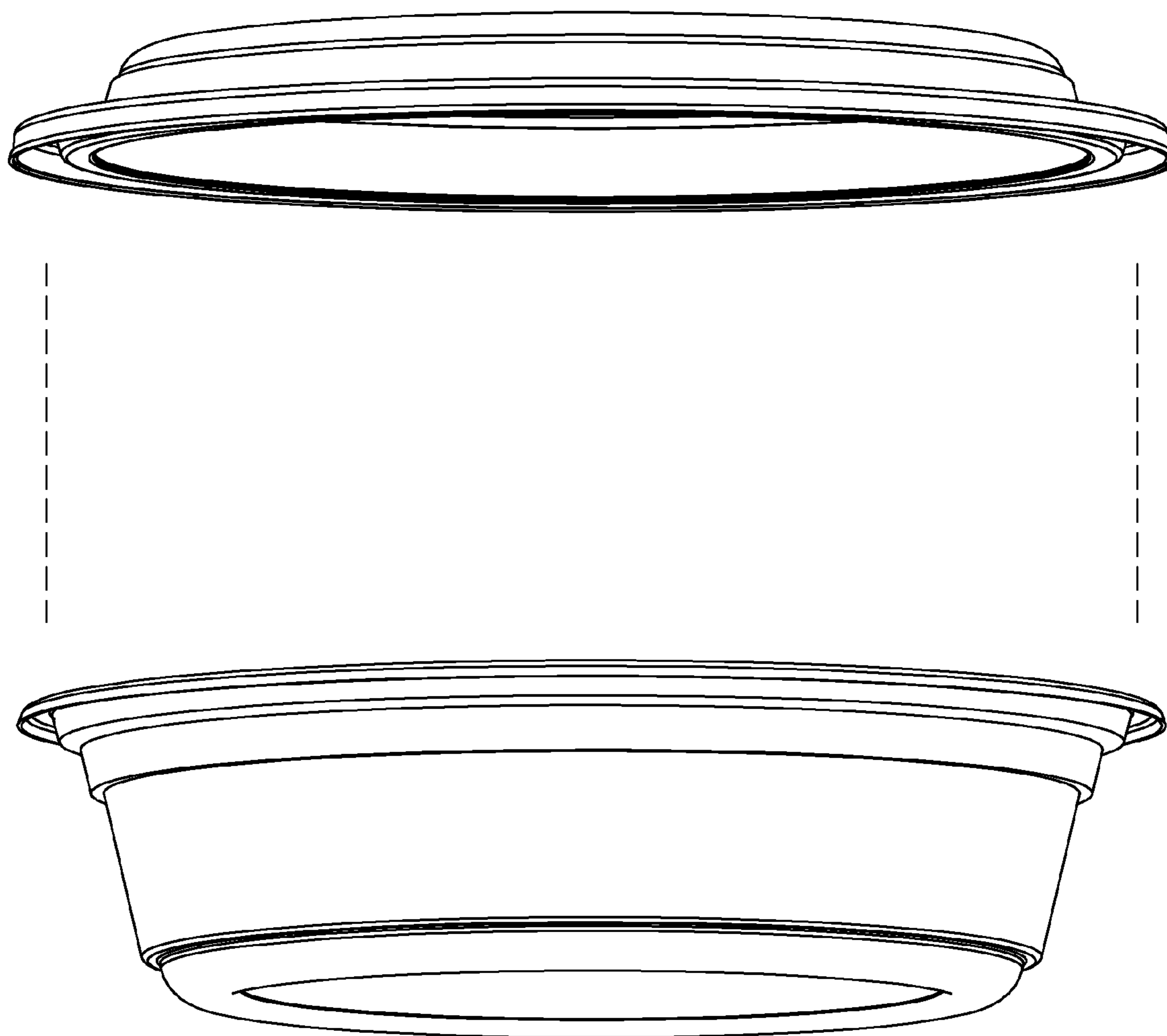


FIG. 5

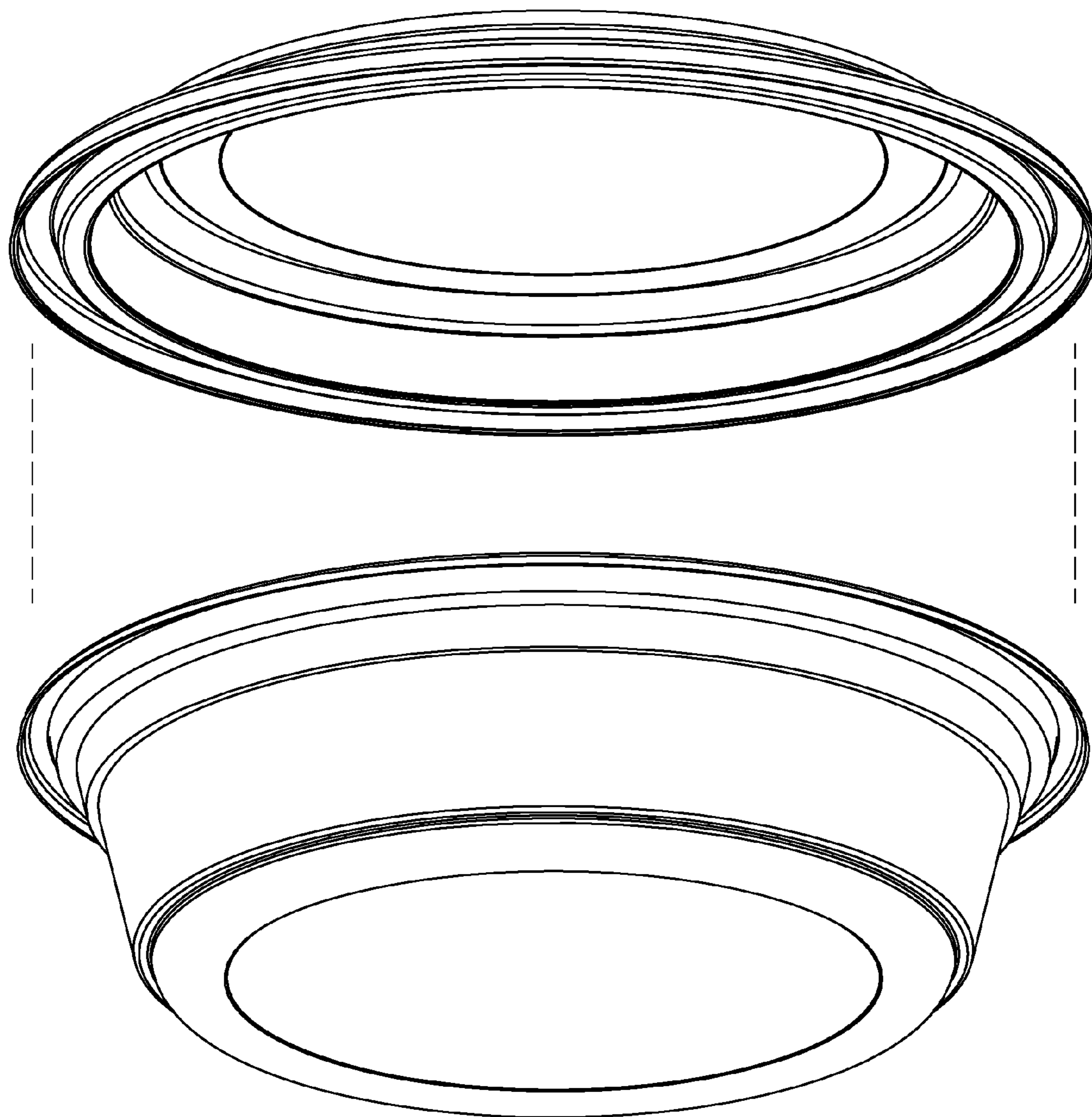


FIG. 6

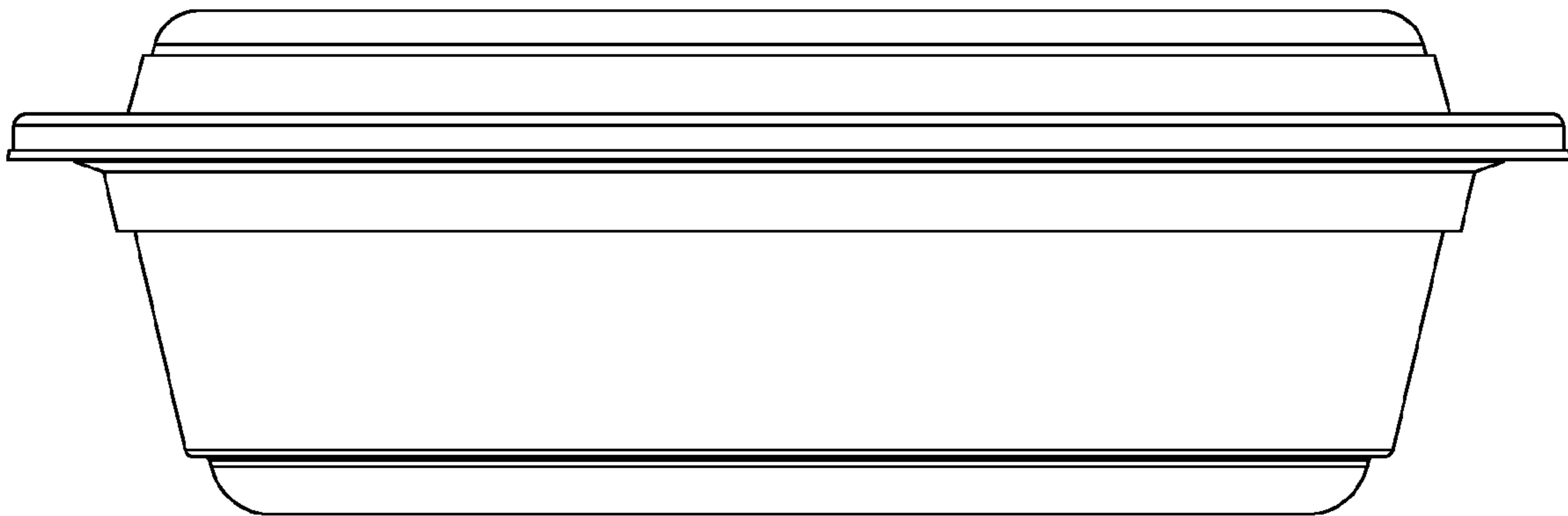


FIG. 7

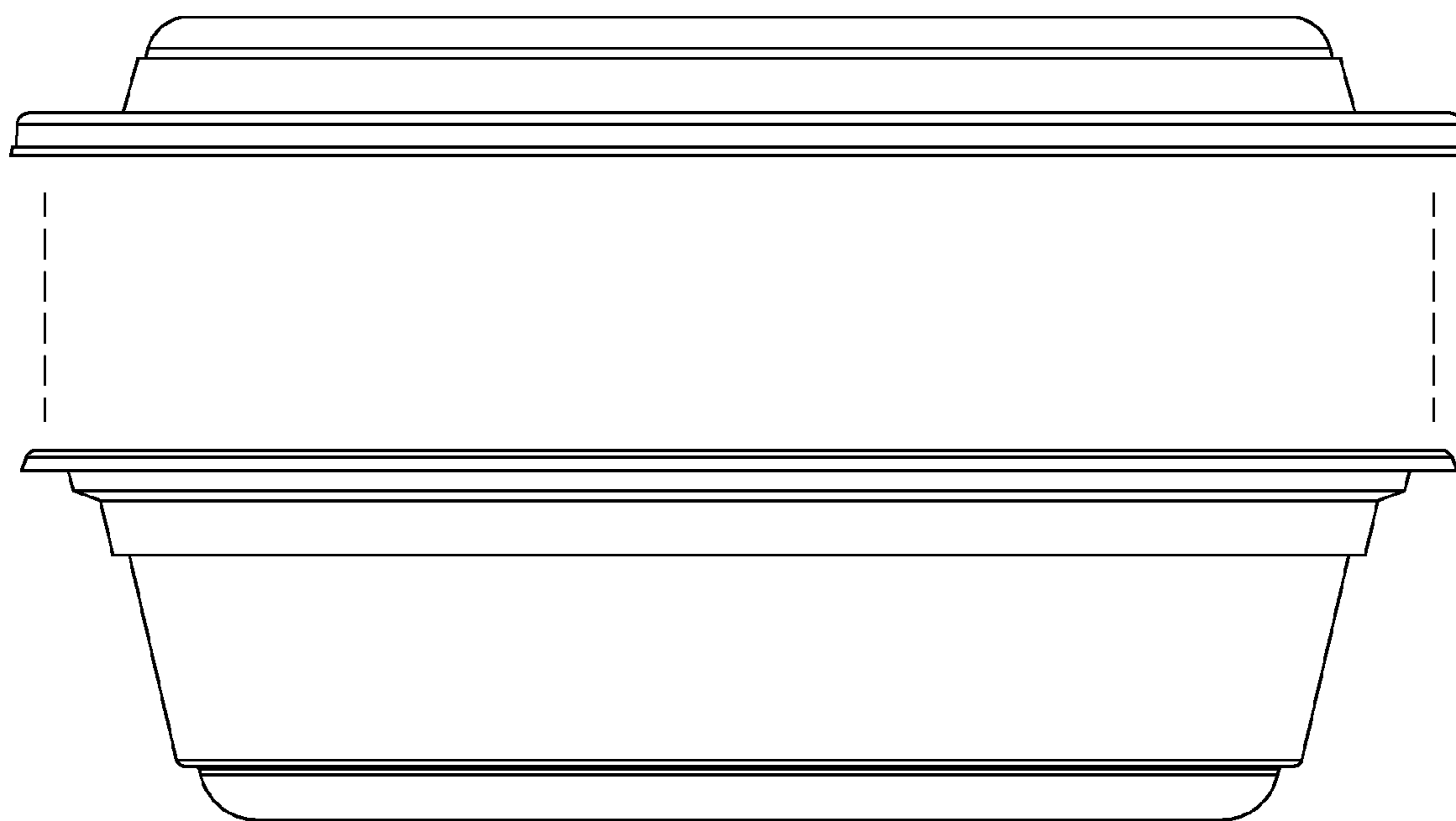


FIG. 8

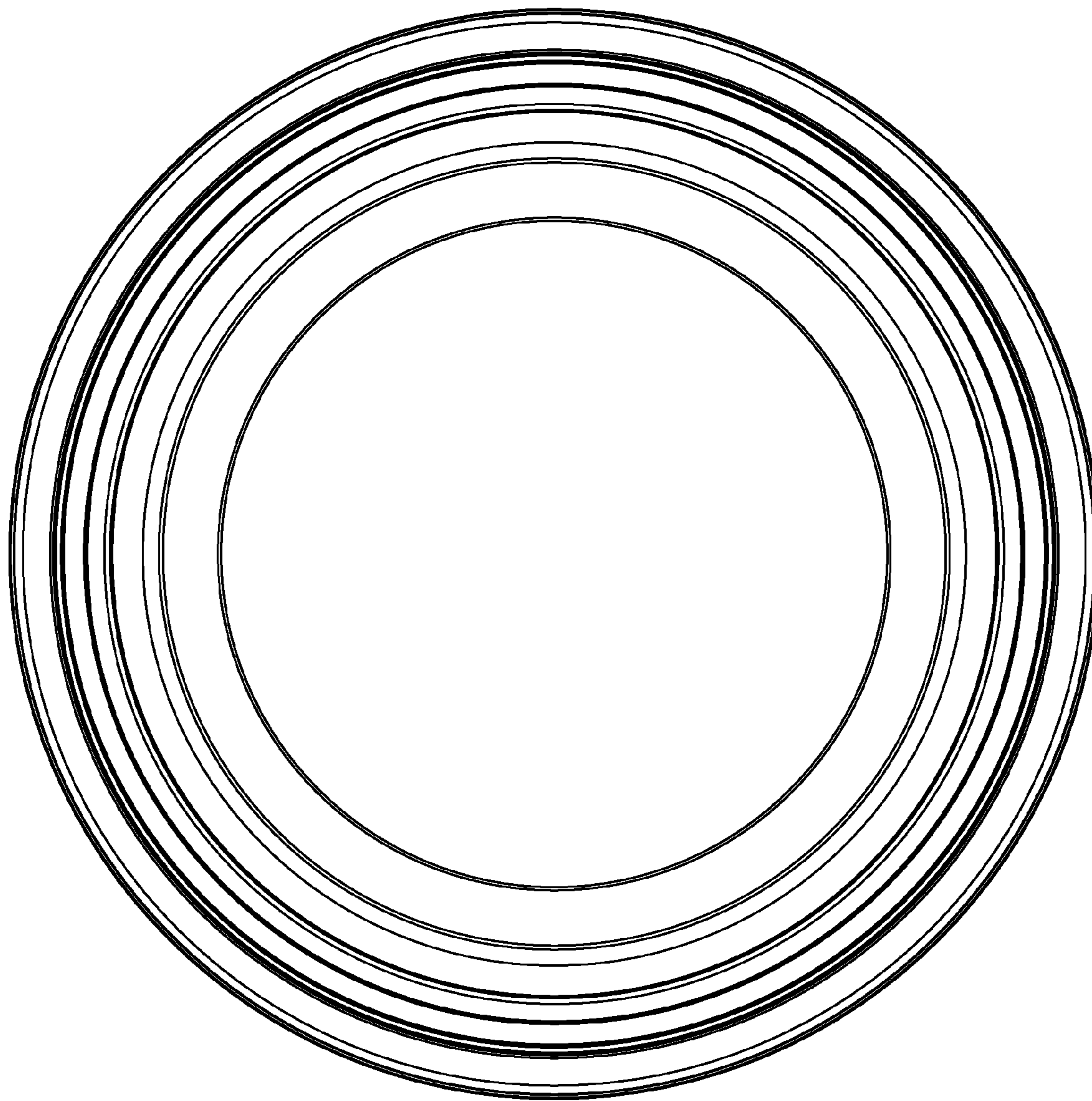


FIG. 9

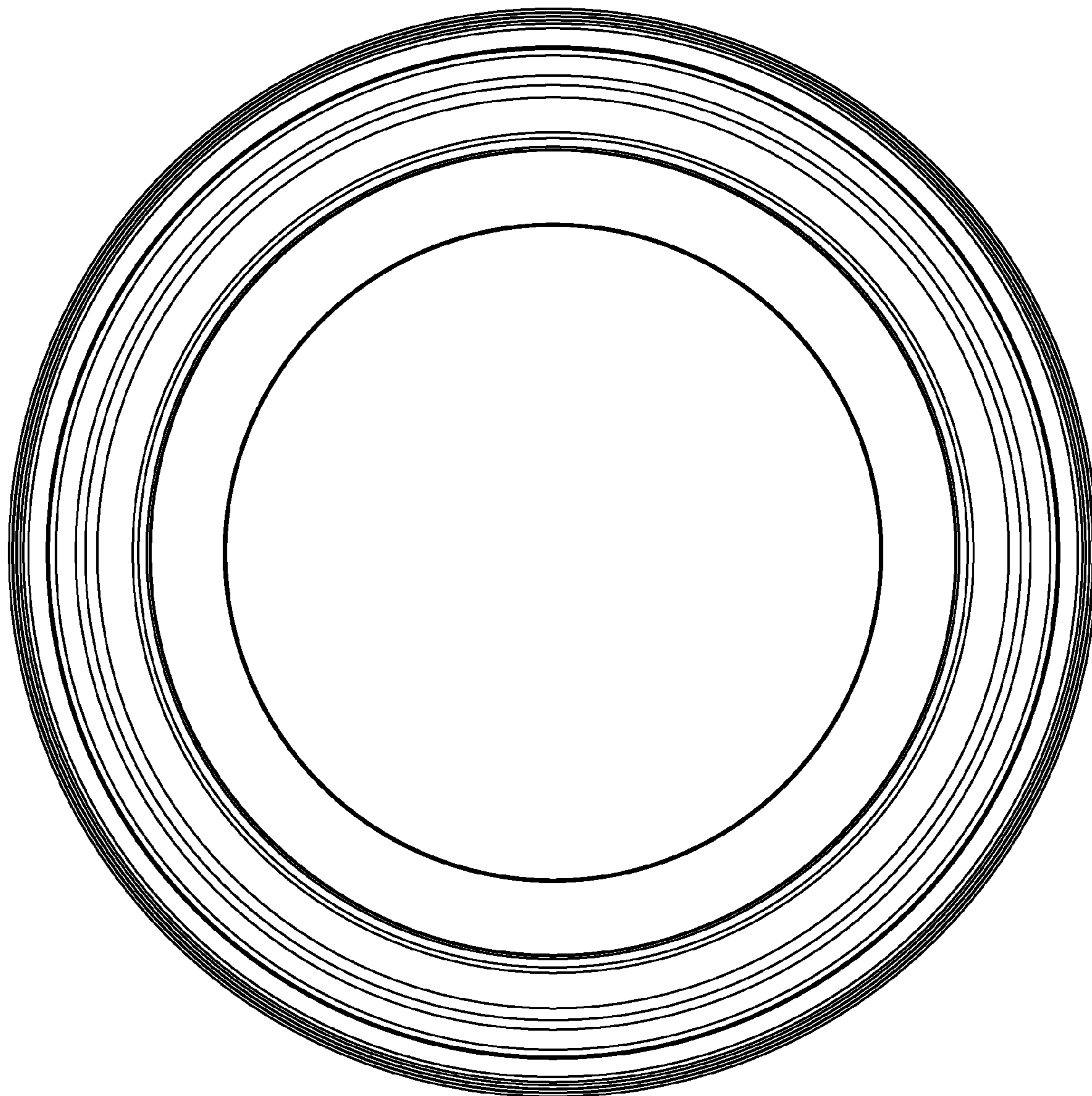


FIG. 10

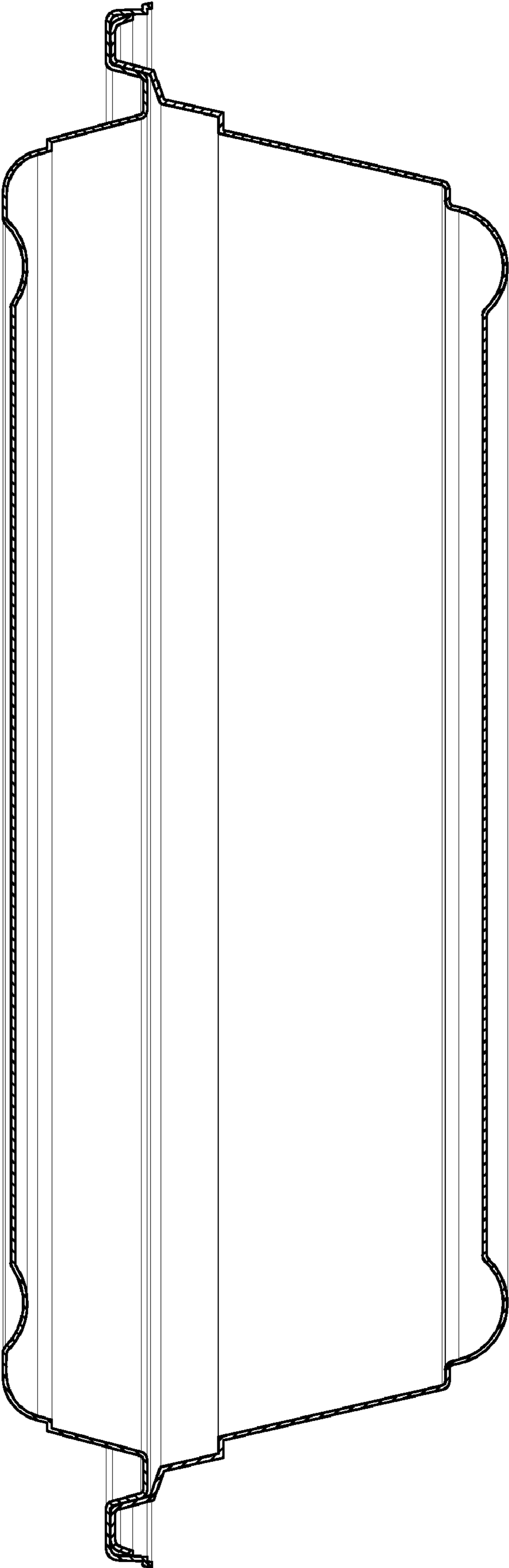


FIG. 11