



US00D606359S

(12) **United States Design Patent**
Lee

(10) **Patent No.:** **US D606,359 S**
(45) **Date of Patent:** **** Dec. 22, 2009**

(54) **MICROWAVE OVEN**

(75) Inventor: **Seon Ju Lee**, Seoul (KR)

(73) Assignee: **Samsung Electronics Co., Ltd.**, Suwon (KR)

(**) Term: **14 Years**

(21) Appl. No.: **29/331,968**

(22) Filed: **Feb. 6, 2009**

(51) **LOC (9) Cl.** **07-02**

(52) **U.S. Cl.** **D7/351**

(58) **Field of Classification Search** D7/350.1,
D7/350.3, 350.4, 351, 402, 405, 349; 219/756-758;
126/19 M, 275 E, 273 A
See application file for complete search history.

(56) **References Cited**

U.S. PATENT DOCUMENTS

| | | | | |
|--------------|---------|------------|-------|--------|
| D478,465 S * | 8/2003 | Kanza | | D7/351 |
| D514,873 S * | 2/2006 | Sakai | | D7/351 |
| D518,680 S * | 4/2006 | Kim | | D7/351 |
| D532,645 S * | 11/2006 | Lee | | D7/351 |
| D561,529 S * | 2/2008 | Suh et al. | | D7/405 |

| | | | | |
|--------------|---------|--------------|-------|--------|
| D576,834 S * | 9/2008 | Shin et al. | | D7/351 |
| D583,614 S * | 12/2008 | Chung et al. | | D7/351 |
| D585,697 S * | 2/2009 | Chung et al. | | D7/351 |

* cited by examiner

Primary Examiner—Ruth McInroy

(74) *Attorney, Agent, or Firm*—Ladas and Parry LLP

(57) **CLAIM**

I claim the ornamental design for a microwave oven, as shown and described.

DESCRIPTION

FIG. 1 is a top, front and right-side perspective view of a microwave oven showing our new design;
FIG. 2 is a front elevational view thereof;
FIG. 3 is a rear elevational view thereof;
FIG. 4 is a left-side elevational view thereof;
FIG. 5 is a right-side elevational view thereof.
FIG. 6 is a top plan view thereof; and,
FIG. 7 is a bottom plan view thereof.

1 Claim, 4 Drawing Sheets

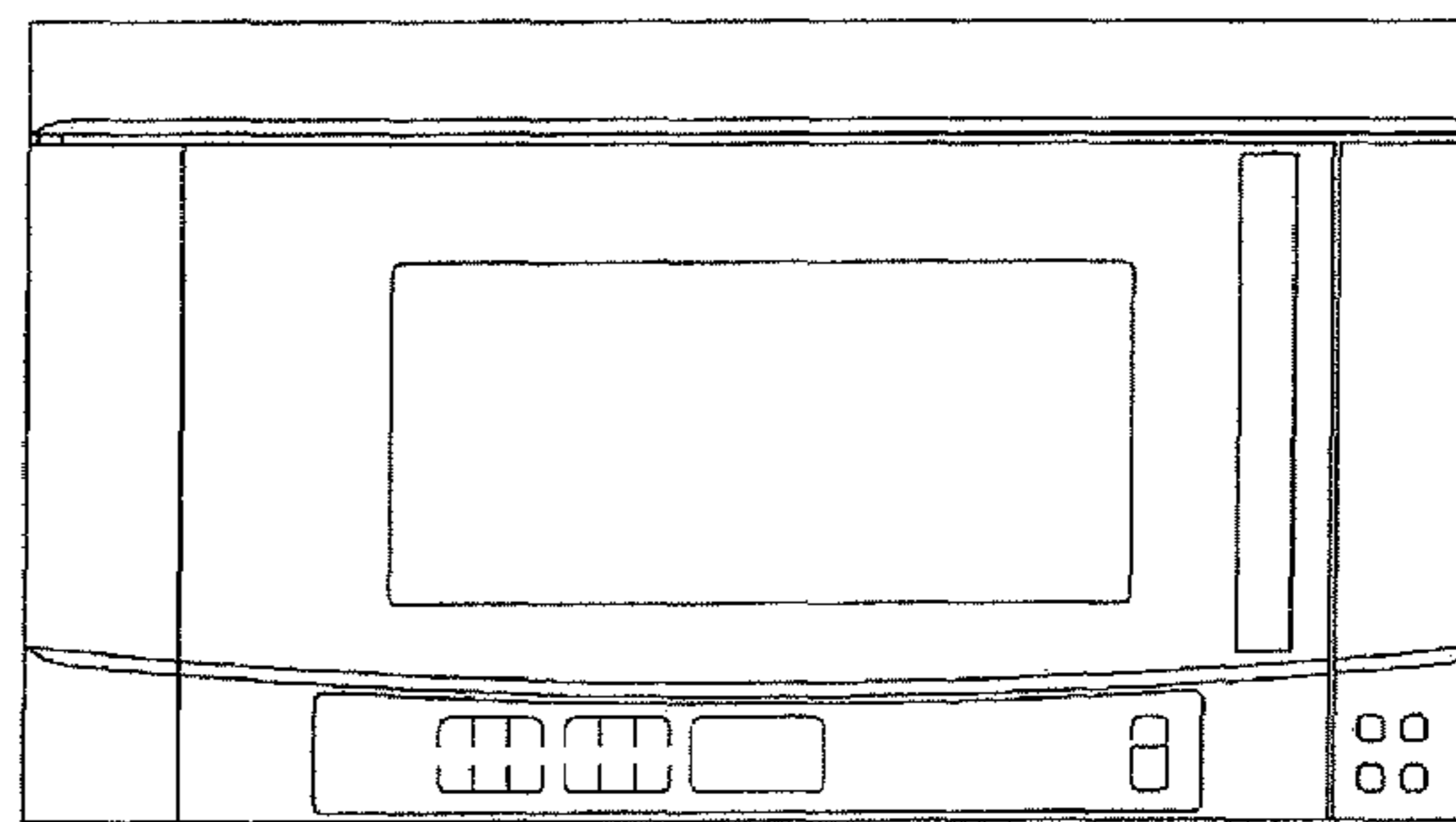
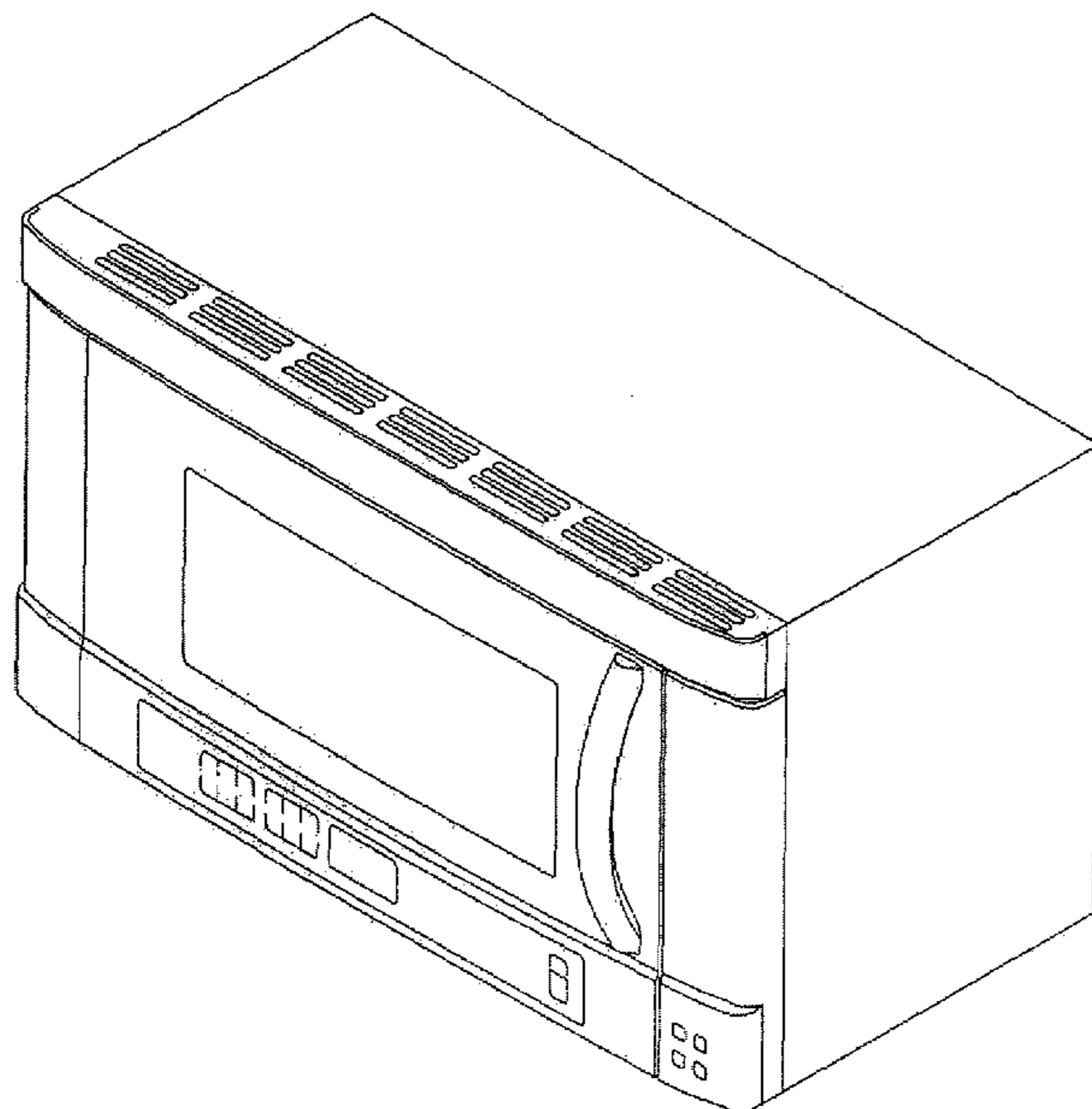


FIG. 1

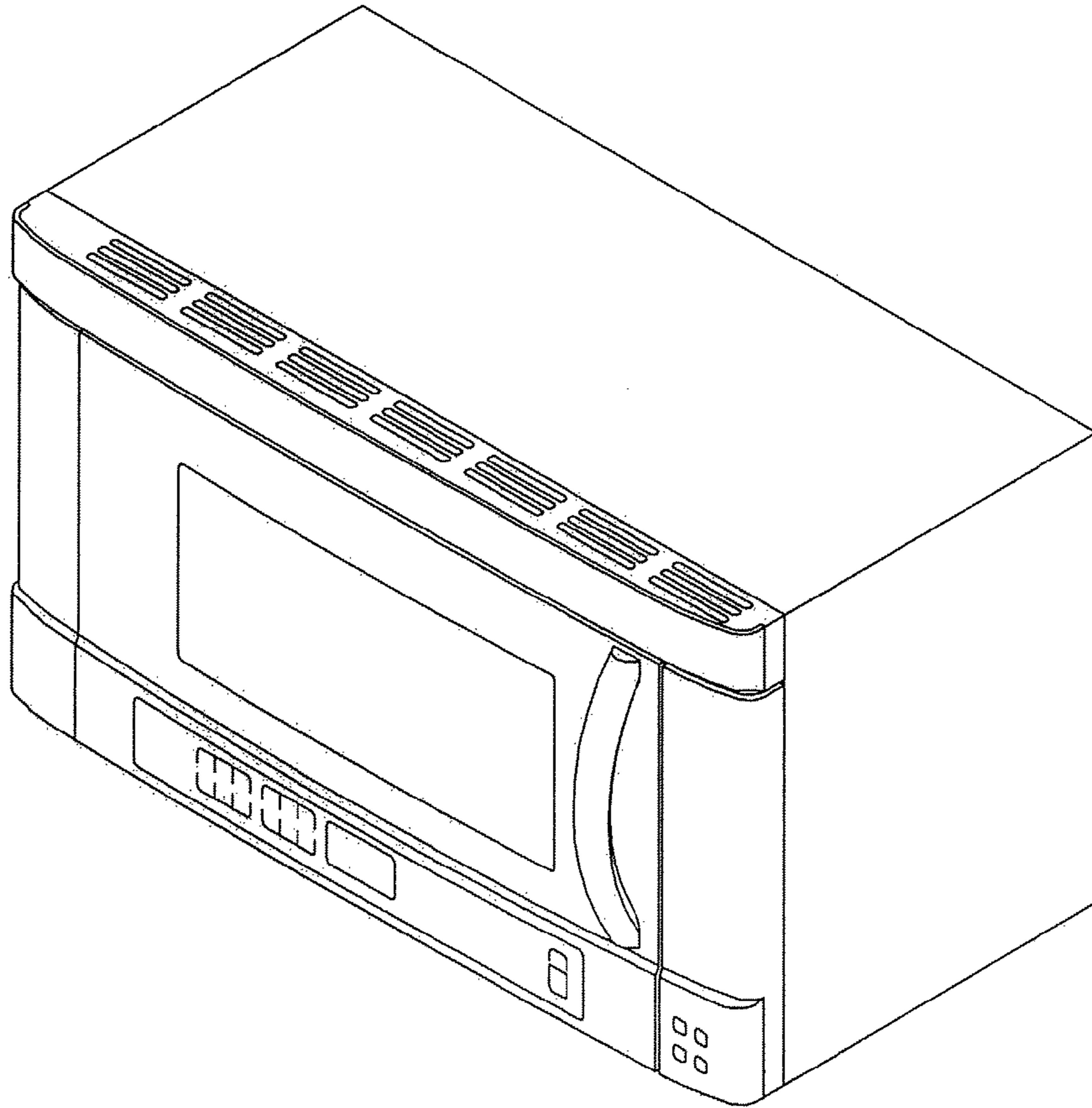


FIG. 2

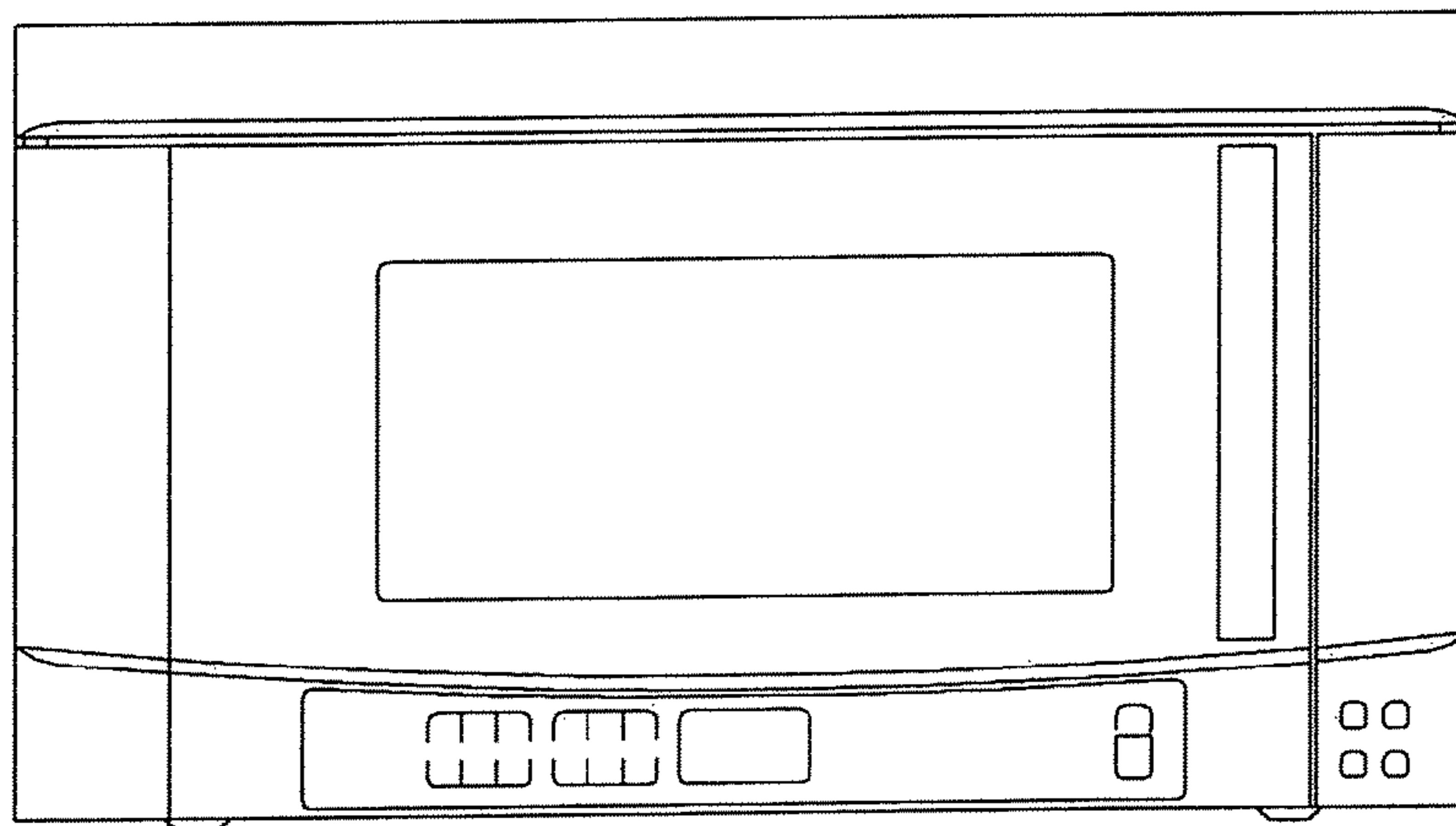


FIG. 3

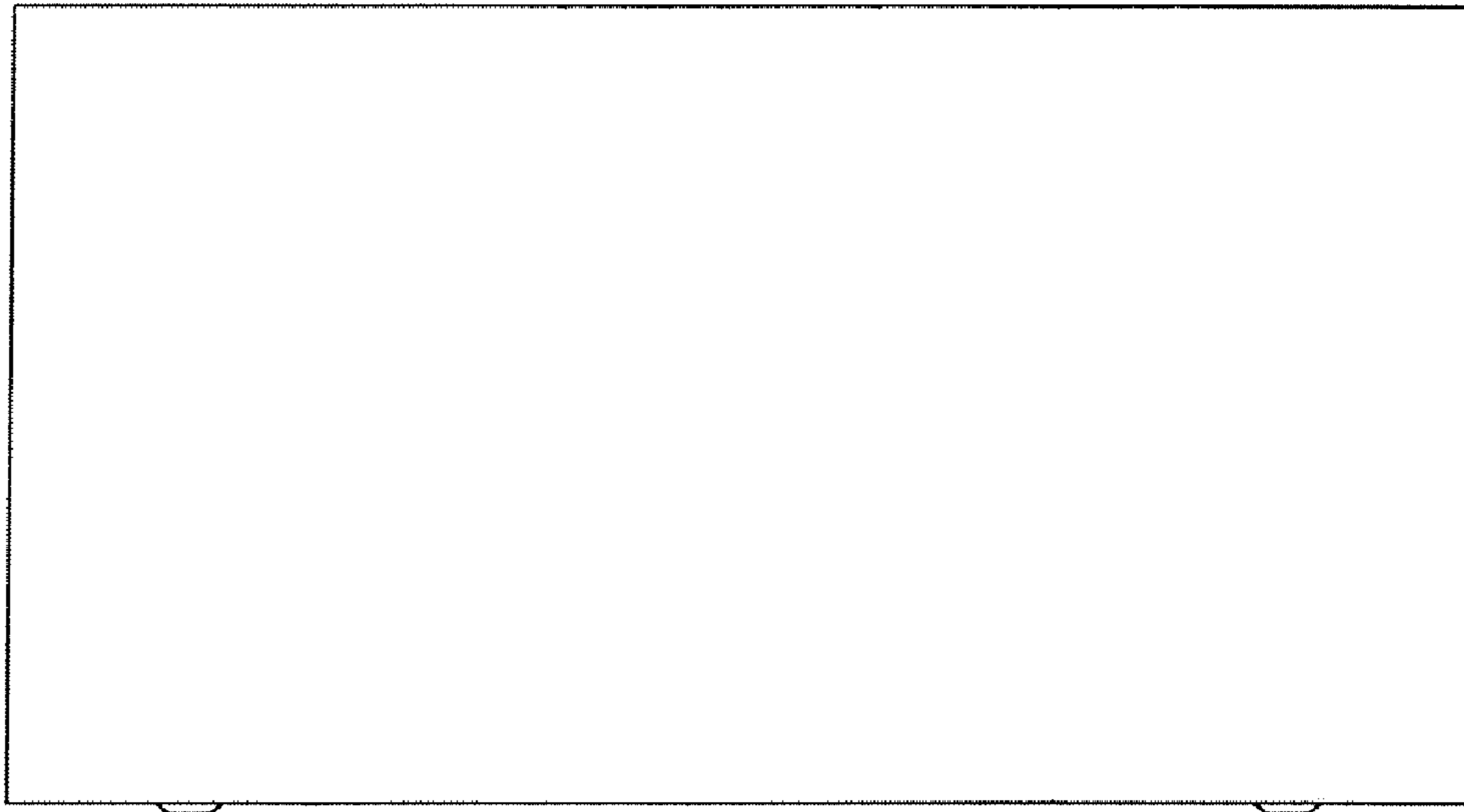


FIG. 4

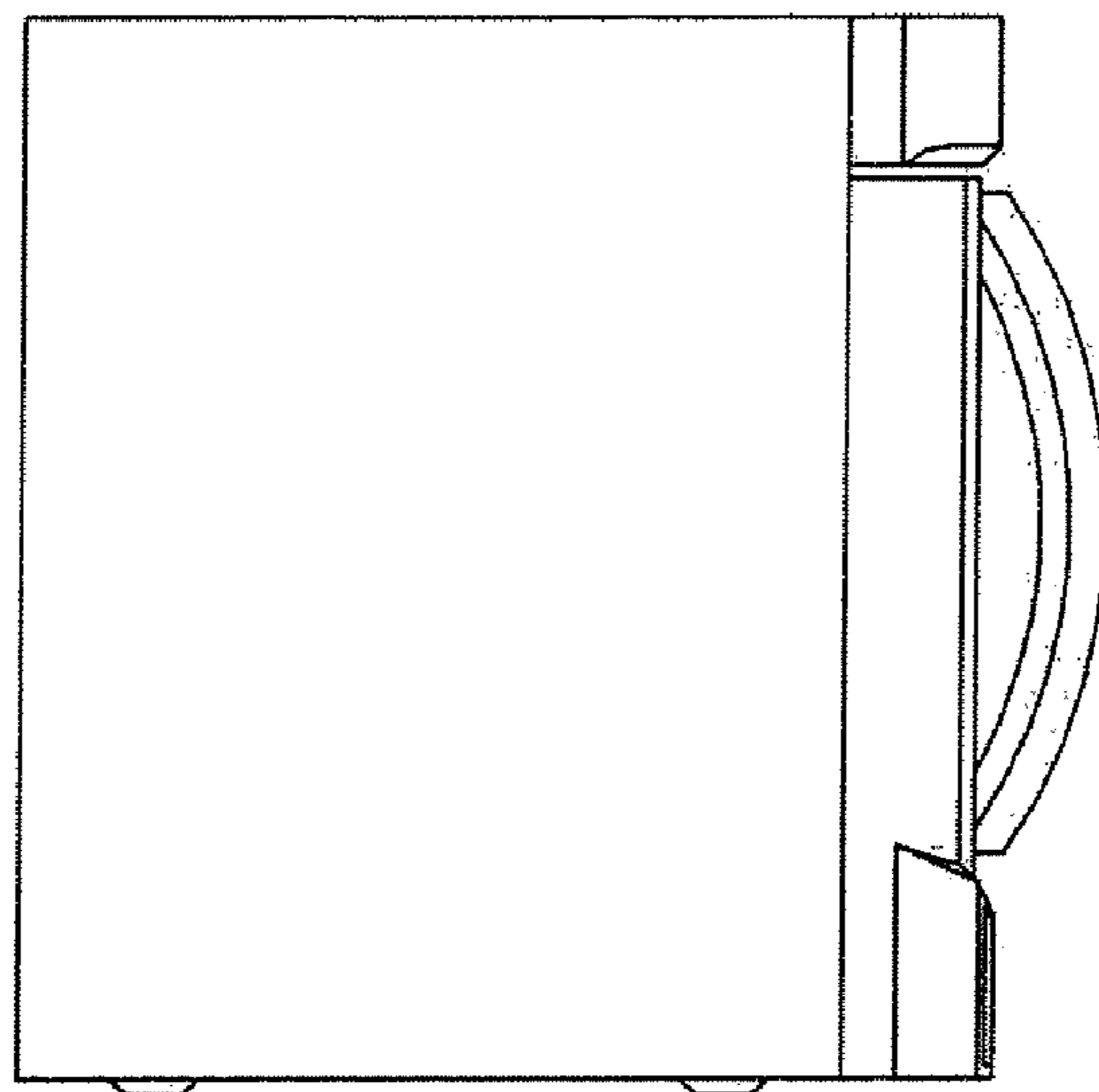


FIG. 5

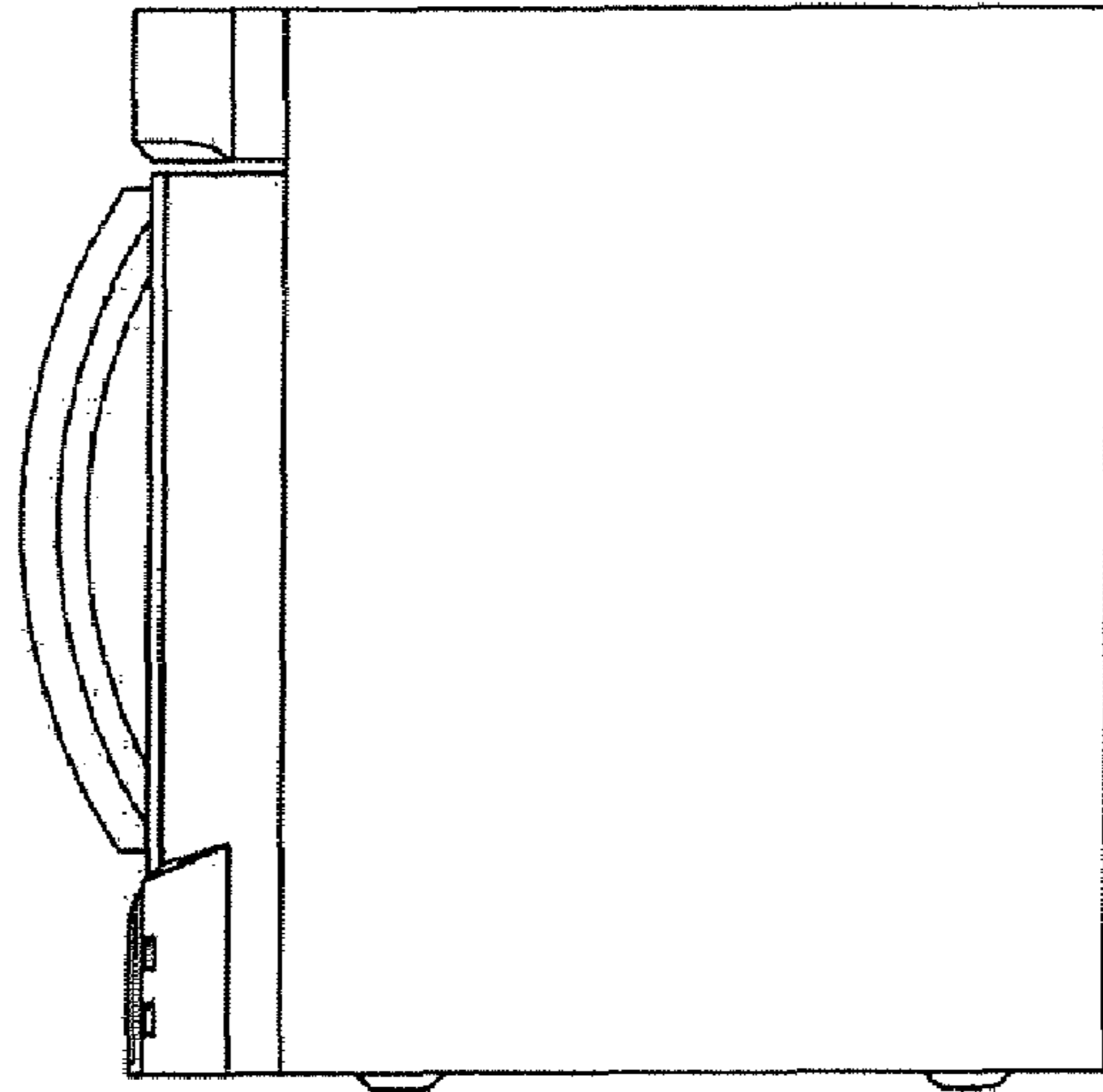


FIG. 6

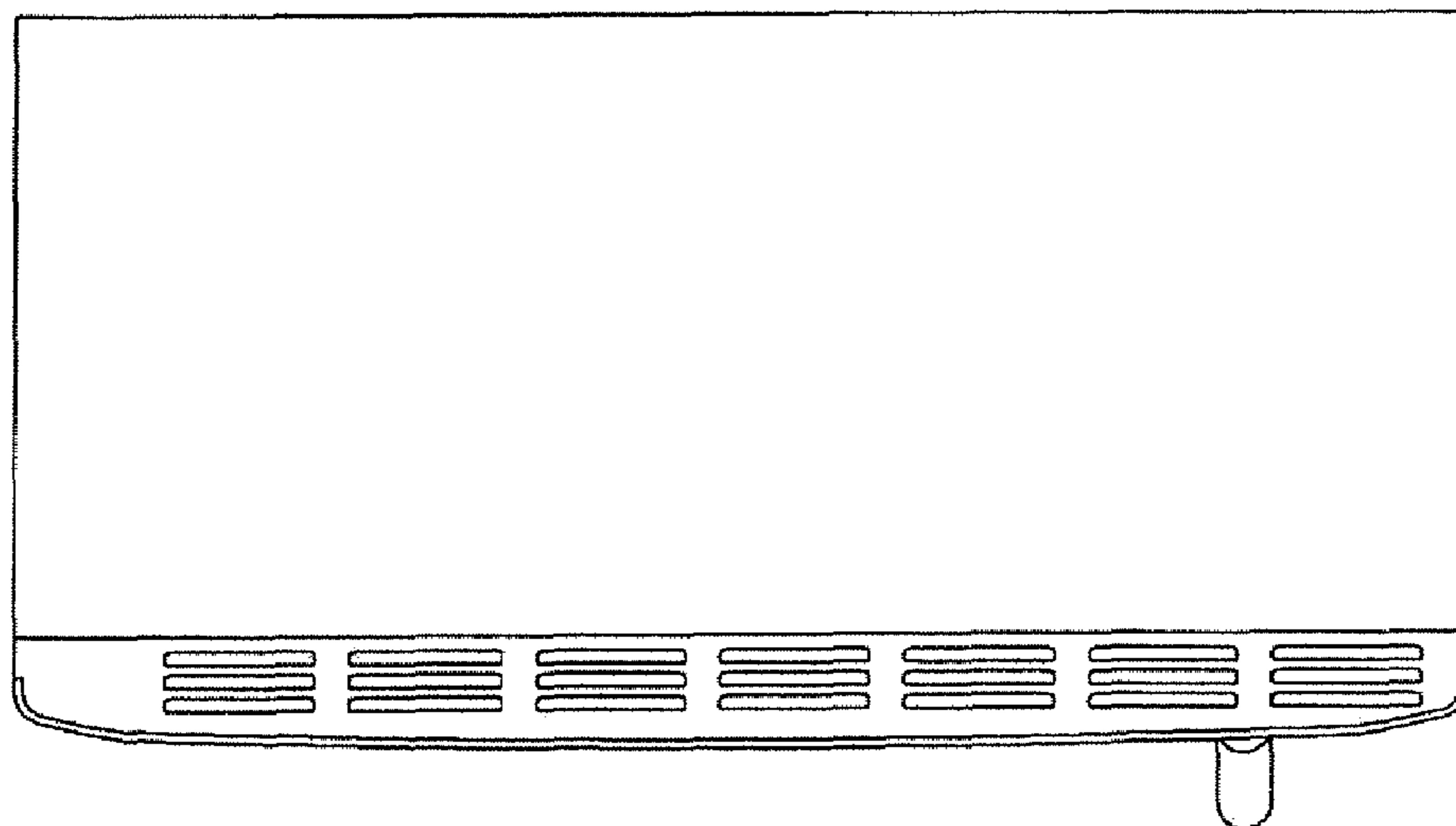


FIG. 7

