



US00D606351S

(12) **United States Design Patent**  
**Peffer**

(10) **Patent No.:** **US D606,351 S**  
(45) **Date of Patent:** **\*\* Dec. 22, 2009**

(54) **PAIR OF CHAIN PULLS**

**DESCRIPTION**

(76) Inventor: **John Peffer**, 3155 Lyncliff Rd.,  
Gainesville, GA (US) 30506

(\*\*) Term: **14 Years**

(21) Appl. No.: **29/337,144**

(22) Filed: **May 15, 2009**

(51) **LOC (9) Cl.** ..... **06-10**

(52) **U.S. Cl.** ..... **D6/581**

(58) **Field of Classification Search** ..... D6/575,  
D6/576, 577, 578, 579, 580, 581; D26/1,  
D26/2, 3, 51, 60, 61, 62, 63, 64, 65, 66, 67,  
D26/68, 72, 73, 74, 75, 76, 77, 78, 79, 80,  
D26/81, 82, 83-93, 138, 142; D11/3, 11,  
D11/13, 79, 228; D2/789, 790, 810, 811,  
D2/818; 87/12; 16/428; 59/80; 200/331;  
160/38, 84.07, 348, 371; D25/47; D23/385,  
D23/386, 411, 366, 368; 206/418; 416/146 R  
See application file for complete search history.

(56) **References Cited**

**U.S. PATENT DOCUMENTS**

D85,062 S \* 9/1931 Schlegel

(Continued)

**OTHER PUBLICATIONS**

Goggle Search: MyShopAngel , Light Bulb Refrigerator Images,  
Copyright 2001-2008, Stock Shapes Magnet, Item # TN8008012  
Light Bulb Shaped Magnets.\*

(Continued)

*Primary Examiner*—Robert M Spear

*Assistant Examiner*—Barbara B Lohr

(74) *Attorney, Agent, or Firm*—Williams Intellectual  
Property Law, LLC; Thomas R. Williamson, III

(57) **CLAIM**

The ornamental design for pair of chain pulls, as shown and  
described.

The present invention relates generally to chain pull designs  
for attachment to the end of chains for controlling ceiling fan  
operations, and more specifically, to chain pull designs hav-  
ing a shape indicative of a fan and a light bulb for controlling  
those fan operations.

FIG. 1 is a perspective view of a fan-shaped chain pull design  
and a light bulb-shaped chain pull design attached to the ends  
of chains for controlling ceiling fan operations showing my  
new design;

FIG. 2 is a front elevational view of the fan-shaped chain pull  
design of FIG. 1;

FIG. 3 is a rear elevational view of the fan-shaped chain pull  
design of FIG. 1;

FIG. 4 is a top plan view of the fan-shaped chain pull design  
of FIG. 1;

FIG. 5 is a bottom plan view of the fan-shaped chain pull  
design of FIG. 1;

FIG. 6 is a left side elevational view of the fan-shaped chain  
pull design of FIG. 1;

FIG. 7 is a right side elevational view of the fan-shaped chain  
pull design of FIG. 1;

FIG. 8 is a front elevational view of the light bulb-shaped  
chain pull design of FIG. 1;

FIG. 9 is a rear elevational view of the light bulb-shaped chain  
pull design of FIG. 1;

FIG. 10 is a top plan view of the light bulb-shaped chain pull  
design of FIG. 1;

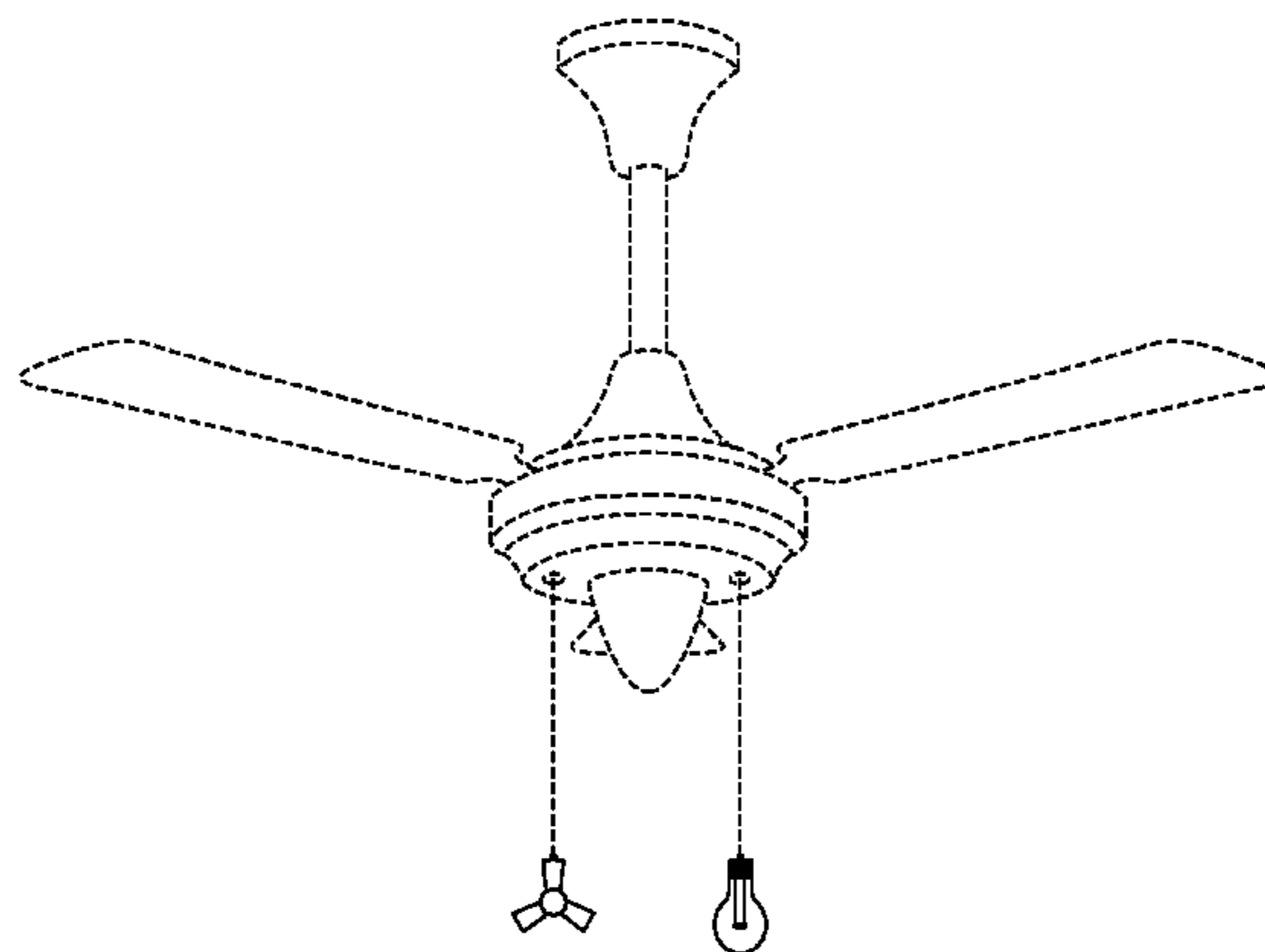
FIG. 11 is a bottom plan view of the light bulb-shaped chain  
pull design of FIG. 1;

FIG. 12 is a left side elevational view of the light bulb-shaped  
chain pull design of FIG. 1; and,

FIG. 13 is a right side elevational view of the light bulb-  
shaped chain pull design of FIG. 1.

The broken lines shown in FIG. 1 represent the portions of the  
design which form no part of the claim.

**1 Claim, 7 Drawing Sheets**



# US D606,351 S

Page 2

---

## U.S. PATENT DOCUMENTS

3,547,256	A *	12/1970	Bolding	.....	206/418	6,971,854	B2 *	12/2005	Krakowski	.....	416/146 R
D354,901	S *	1/1995	Merino			D583,495	S *	12/2008	Khubani	.....	D26/72
D368,841	S *	4/1996	Merino			2005/0263382	A1 *	12/2005	Desmond	.....	200/331
D373,522	S *	9/1996	Humphrey								
D373,629	S *	9/1996	Chan								
D375,244	S *	11/1996	Merino								
D376,008	S *	11/1996	Chan								
D376,009	S *	11/1996	Chan								
6,315,431	B1 *	11/2001	Greedy								

## OTHER PUBLICATIONS

Goggle Search: Light Bulb Refigerator Images,Discount Favors, Promotional Magnets, Stock # 8009017, Light Bulb Magnets.\*

\* cited by examiner

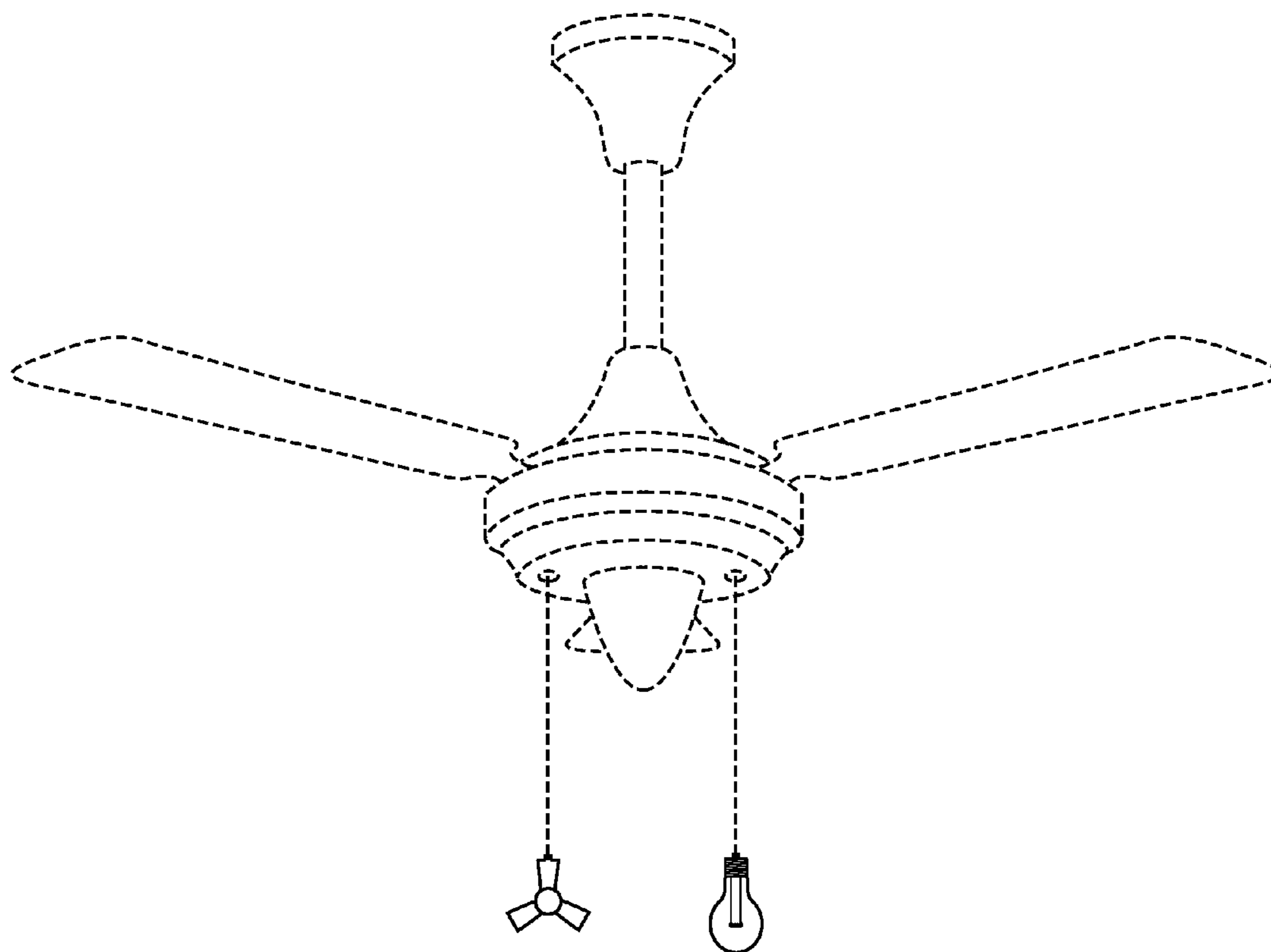


FIG. 1

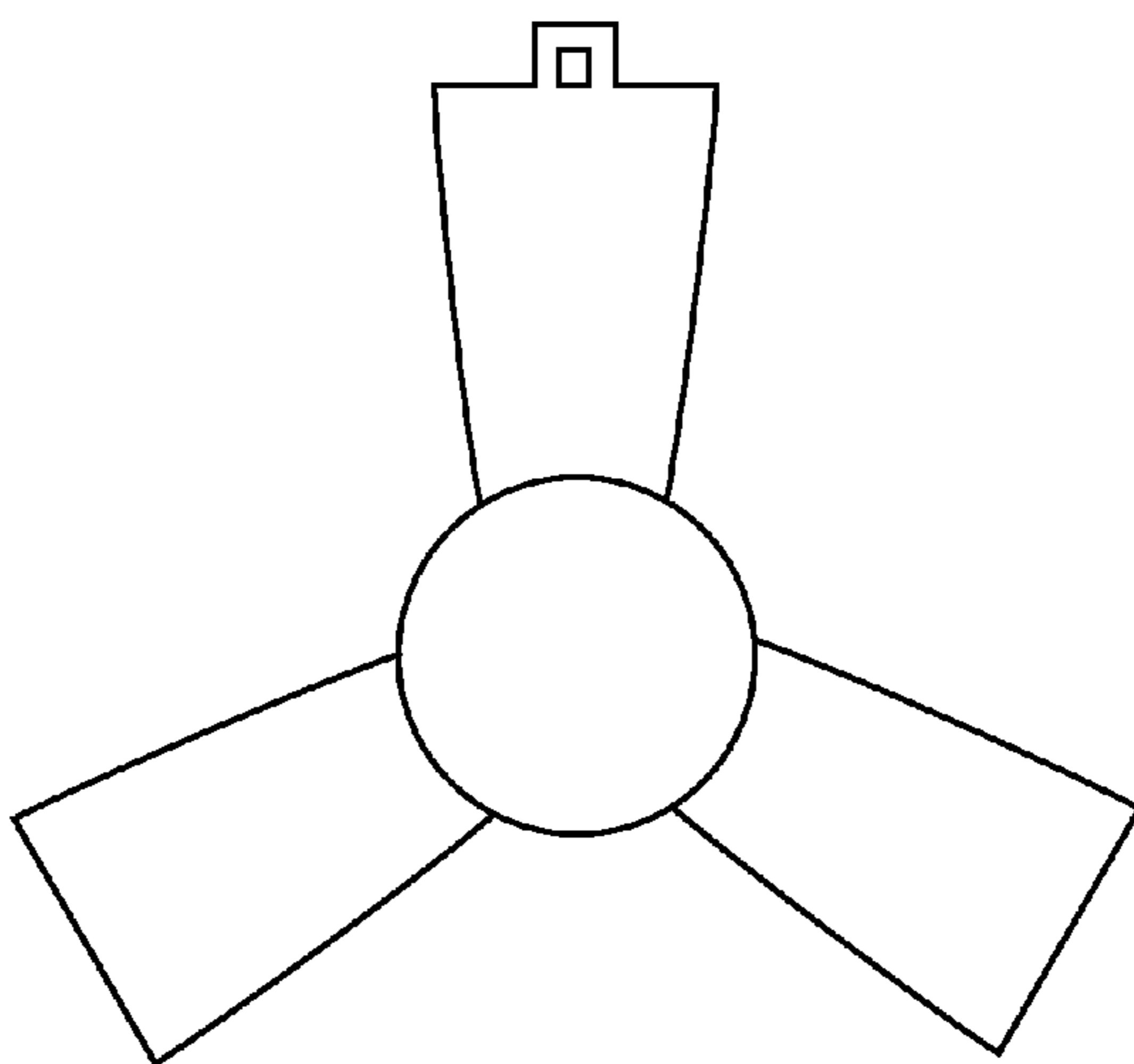


FIG. 2

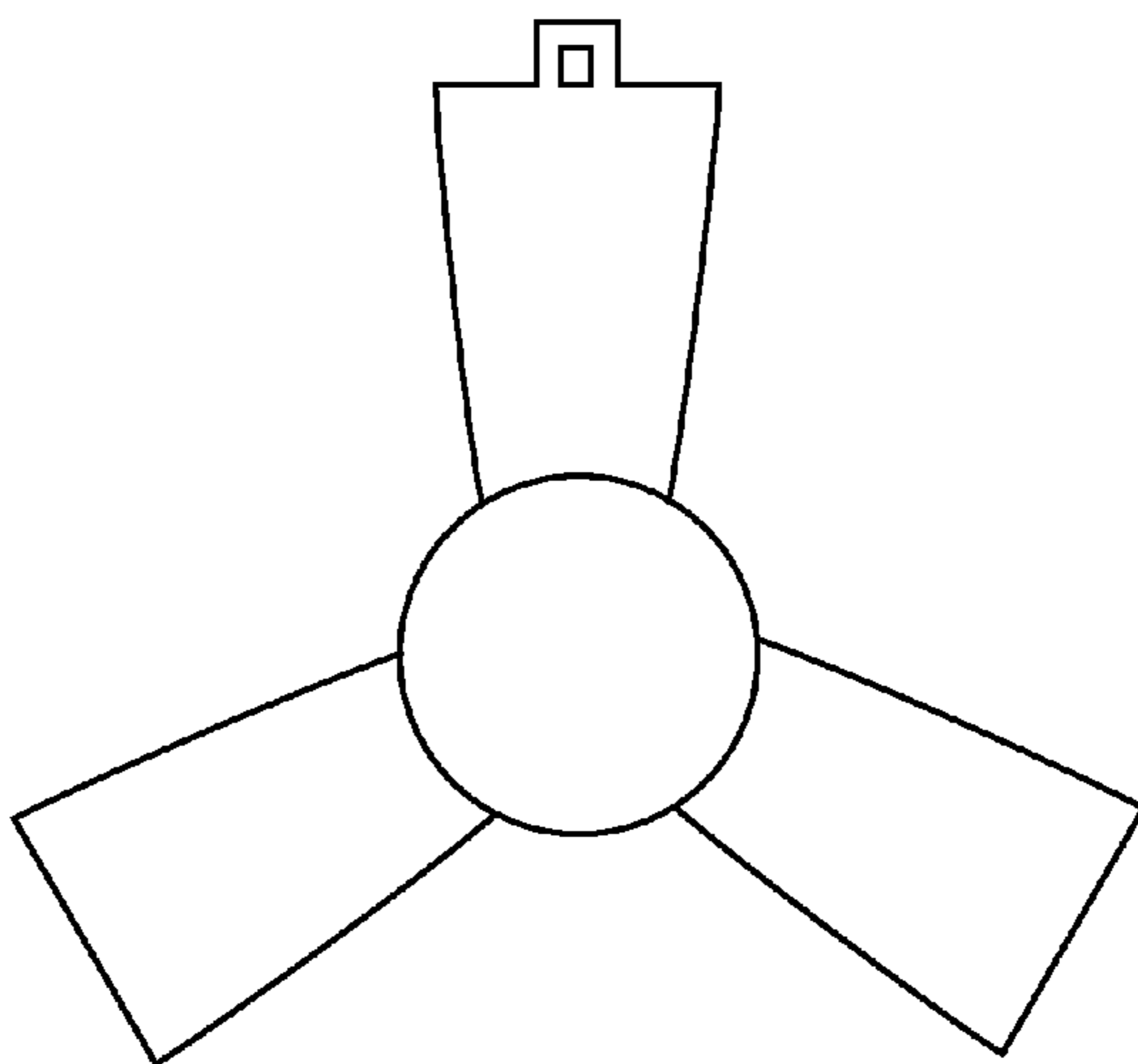


FIG. 3



FIG. 4



FIG. 5



FIG. 6



FIG. 7

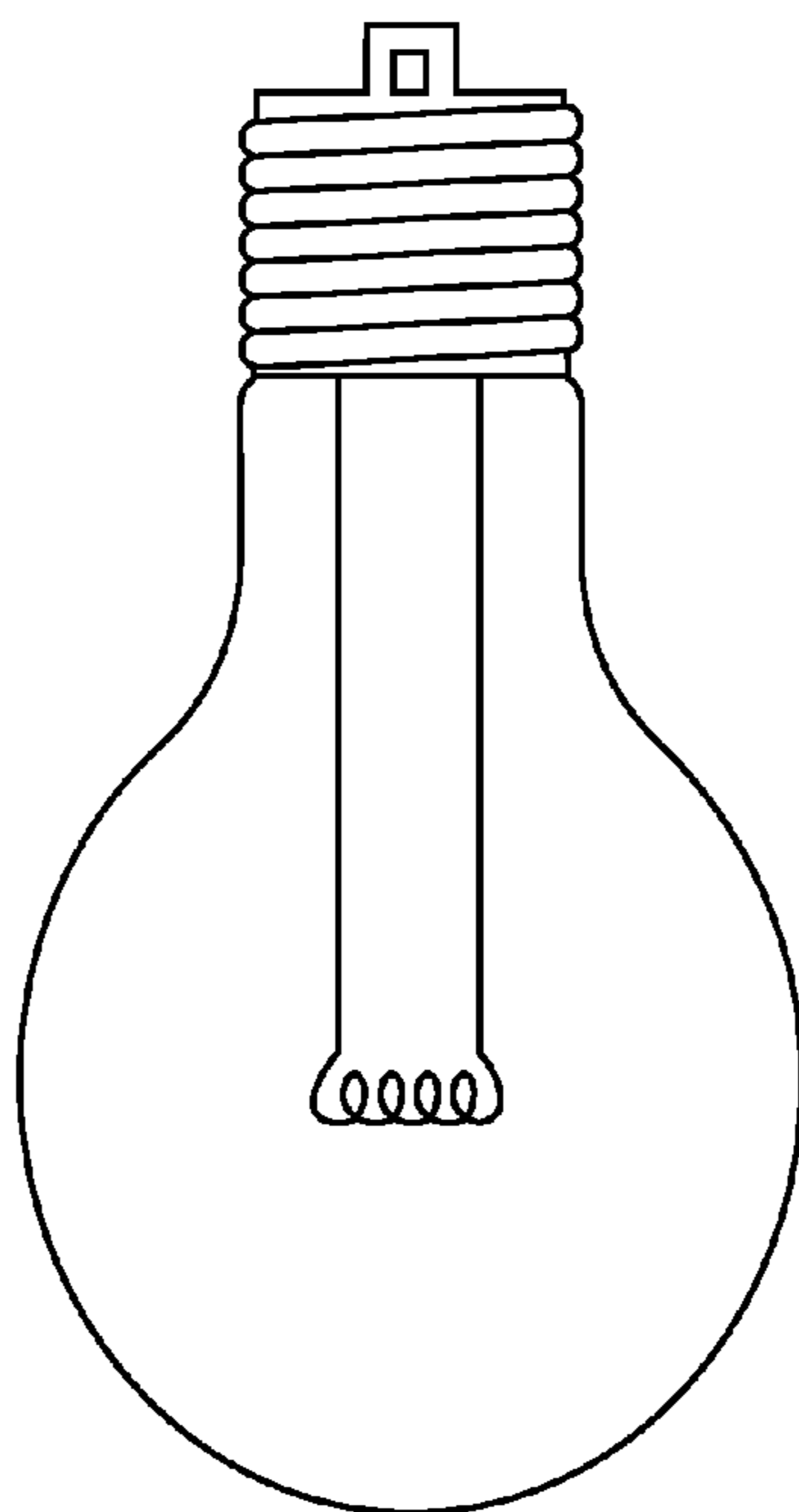


FIG. 8

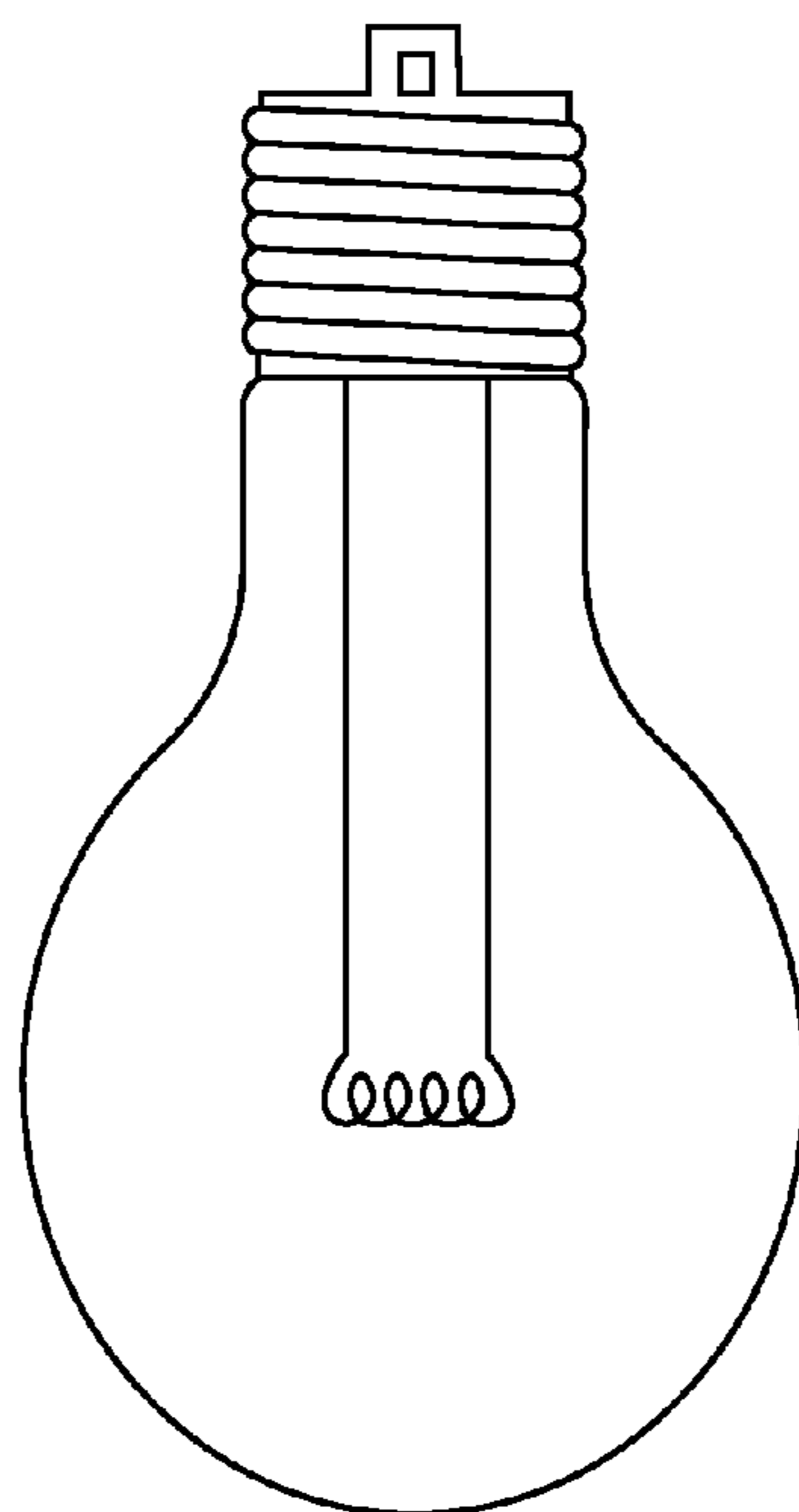


FIG. 9

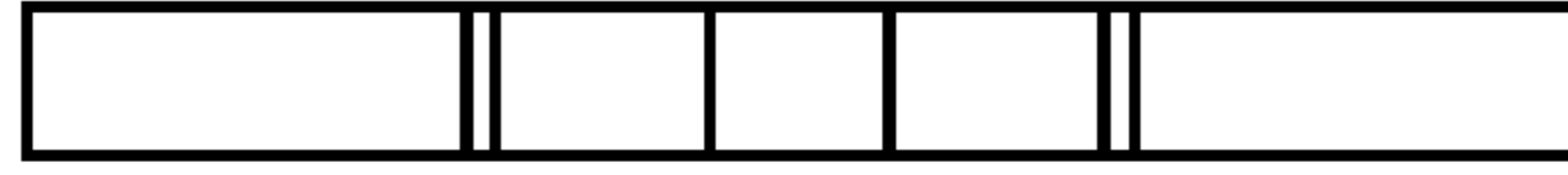


FIG. 10



FIG. 11





FIG. 12



FIG. 13