



US00D606350S

(12) **United States Design Patent**
Bellant

(10) **Patent No.:** **US D606,350 S**

(45) **Date of Patent:** **** Dec. 22, 2009**

(54) **TOWEL BAR ORGANIZER**

(76) Inventor: **June Hazel Bellant**, 1524 83rd St.,
Northwest, Bradenton, FL (US) 34209

(**) Term: **14 Years**

(21) Appl. No.: **29/330,409**

(22) Filed: **Jan. 6, 2009**

Related U.S. Application Data

(63) Continuation-in-part of application No. 11/803,664,
filed on May 15, 2007, now abandoned.

(51) **LOC (9) Cl.** **06-04**

(52) **U.S. Cl.** **D6/574; D6/550**

(58) **Field of Classification Search** D6/518-524,
D6/548-550, 574; D8/300, 303, 315-321,
D8/349, 354, 363, 373, 380; 108/28-29;
211/13.1, 16, 60.1, 100, 86.01, 87.01, 88.01,
211/88.04, 105.1-105.2, 123, 182, 181.1;
248/176, 176.1, 251, 302, 309.1; 16/110.1,
16/412, 415; 242/570, 590, 595-598
See application file for complete search history.

(56) **References Cited**

U.S. PATENT DOCUMENTS

D253,503 S * 11/1979 Albert D6/549
D260,832 S * 9/1981 Verdesca et al. D6/572

D299,894 S * 2/1989 Vignale D6/574
D300,099 S * 3/1989 Cole D6/572
D338,637 S * 8/1993 Shenkar D6/572
D557,964 S * 12/2007 Hoernig D6/574
D598,228 S * 8/2009 West D6/574

* cited by examiner

Primary Examiner—Brian N Vinson

(74) *Attorney, Agent, or Firm*—Dorothy S. Morse

(57) **CLAIM**

The ornamental design for a towel bar organizer, as shown.

DESCRIPTION

FIG. 1 is a top, front, and right side perspective view of a towel bar organizer showing my new design;

FIG. 2 is a bottom, front, and right side perspective view thereof;

FIG. 3 is a top plan view thereof;

FIG. 4 is a bottom plan view thereof;

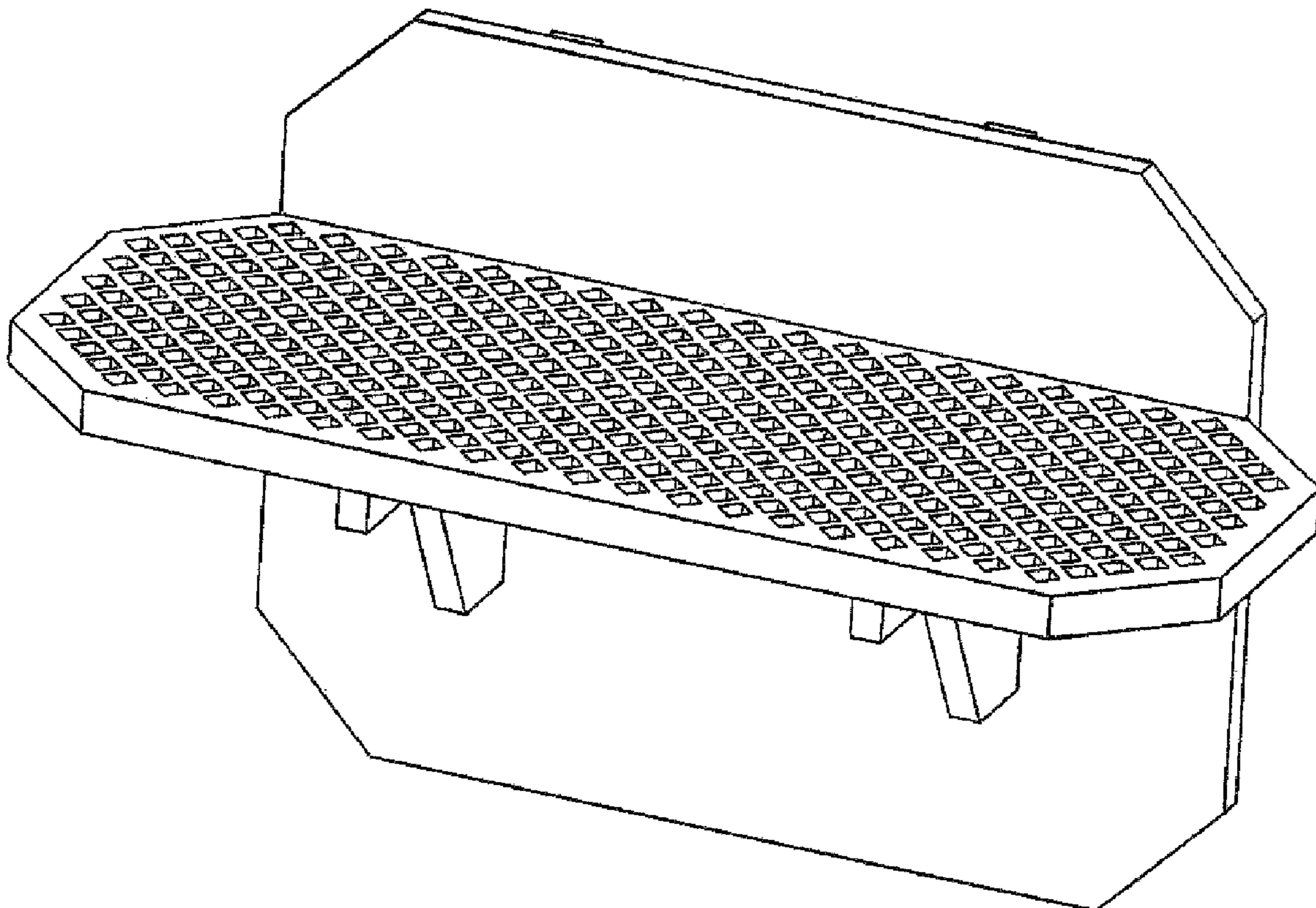
FIG. 5 is a front elevational view thereof;

FIG. 6 is a rear elevational view thereof;

FIG. 7 is a left side elevational view thereof; and,

FIG. 8 is a right side elevational view thereof.

1 Claim, 8 Drawing Sheets



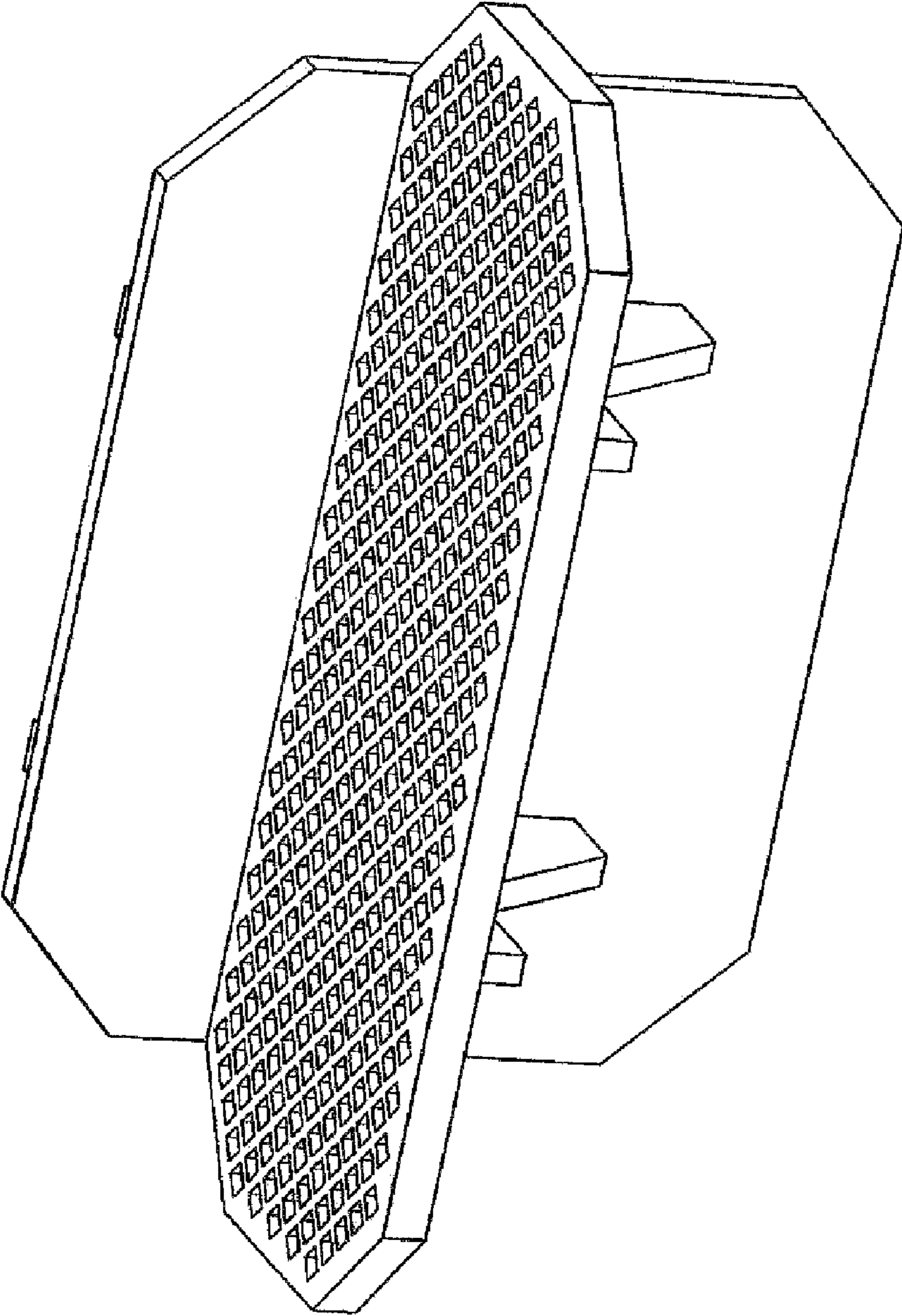


FIG. 1

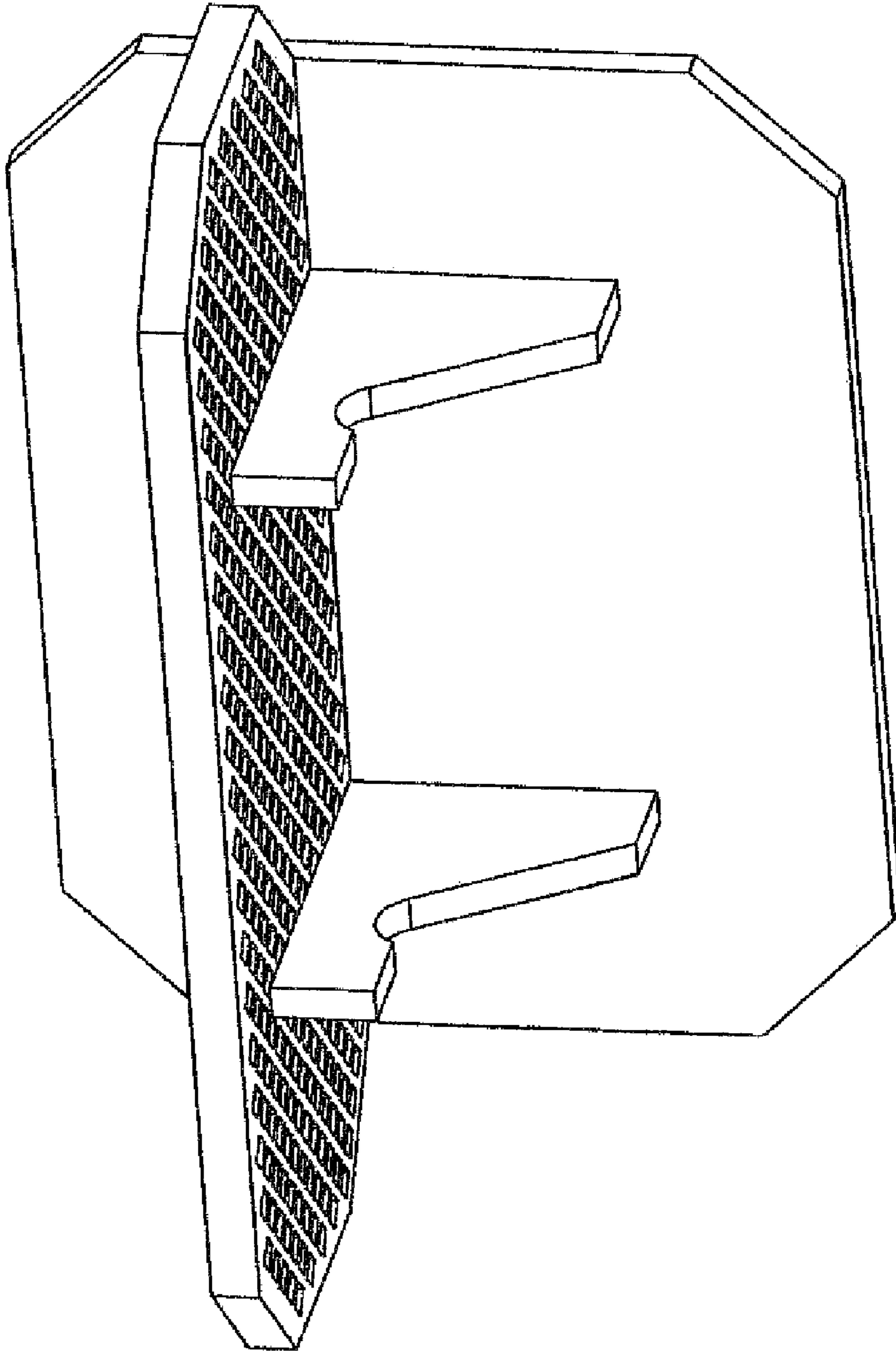


FIG. 2

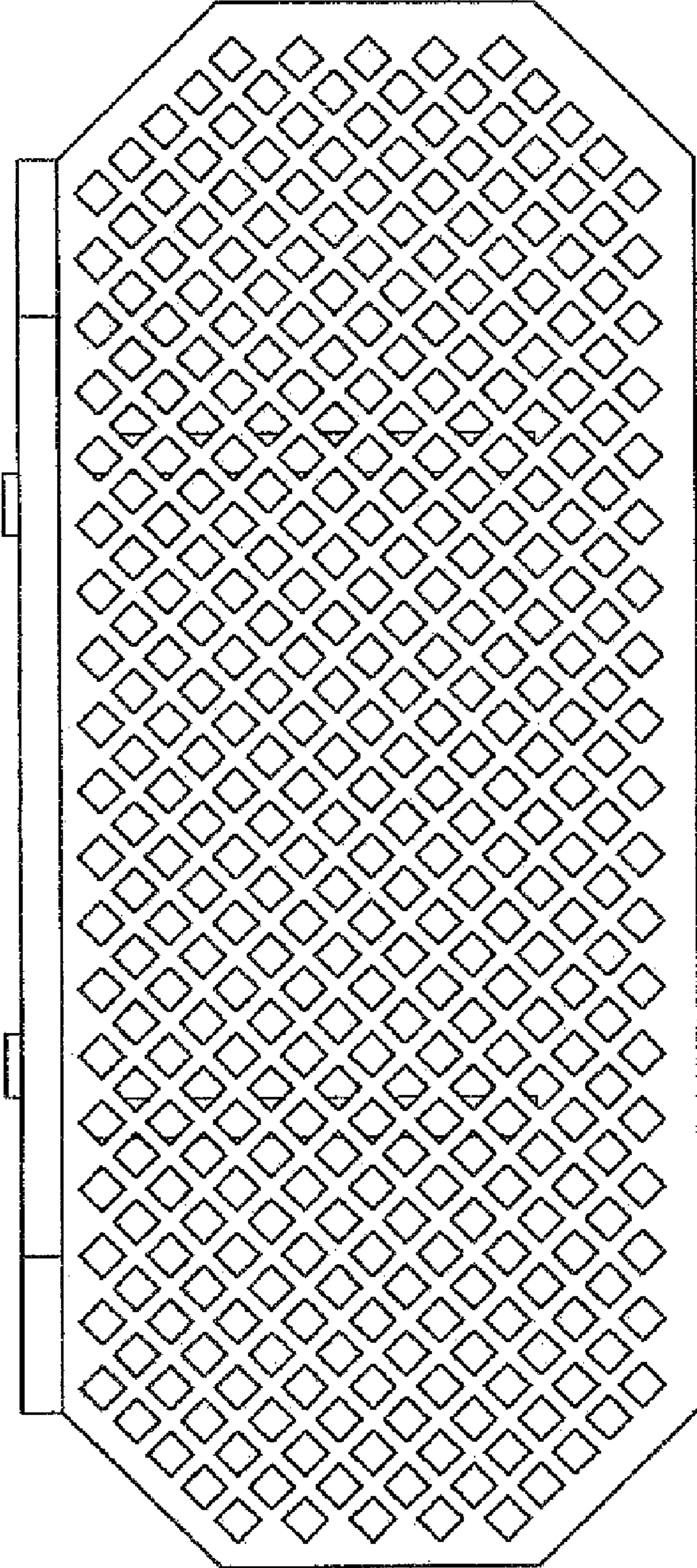


FIG. 3

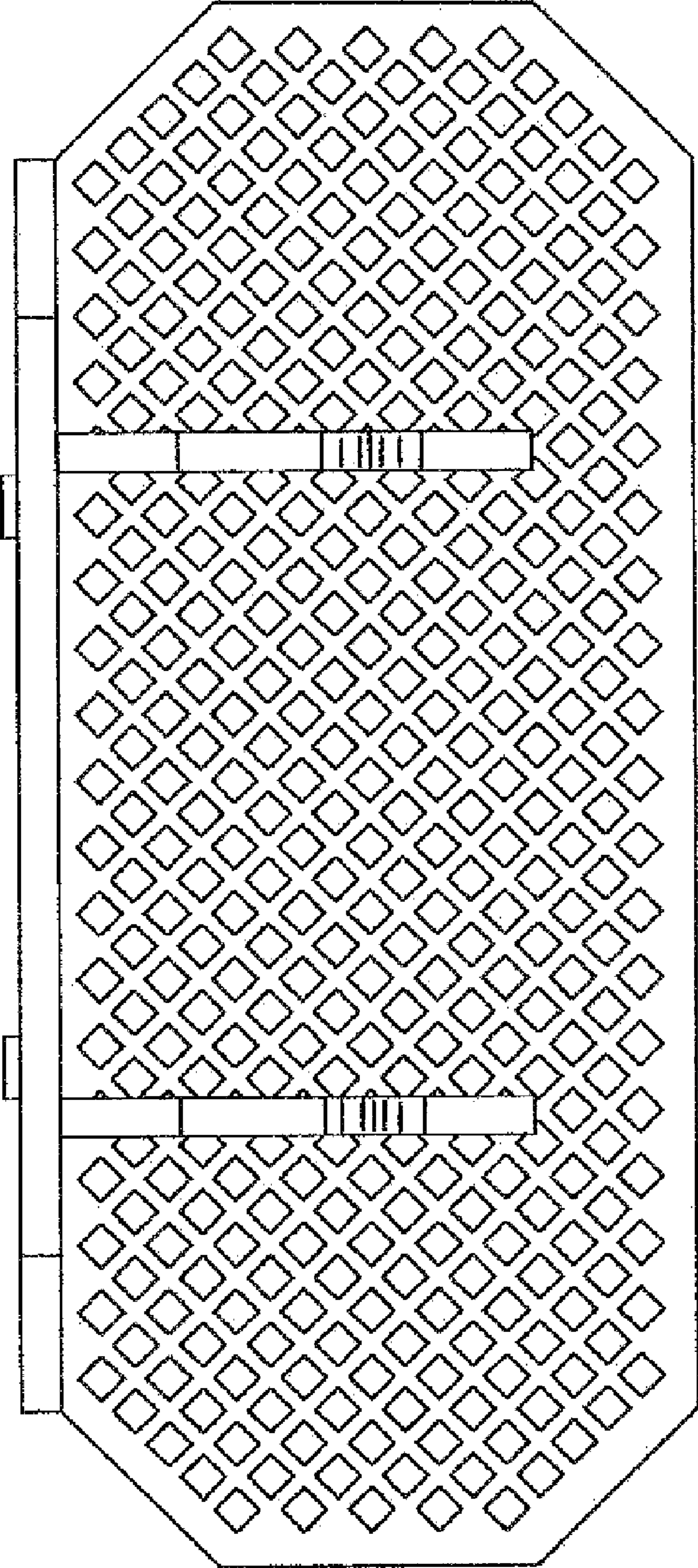


FIG. 4

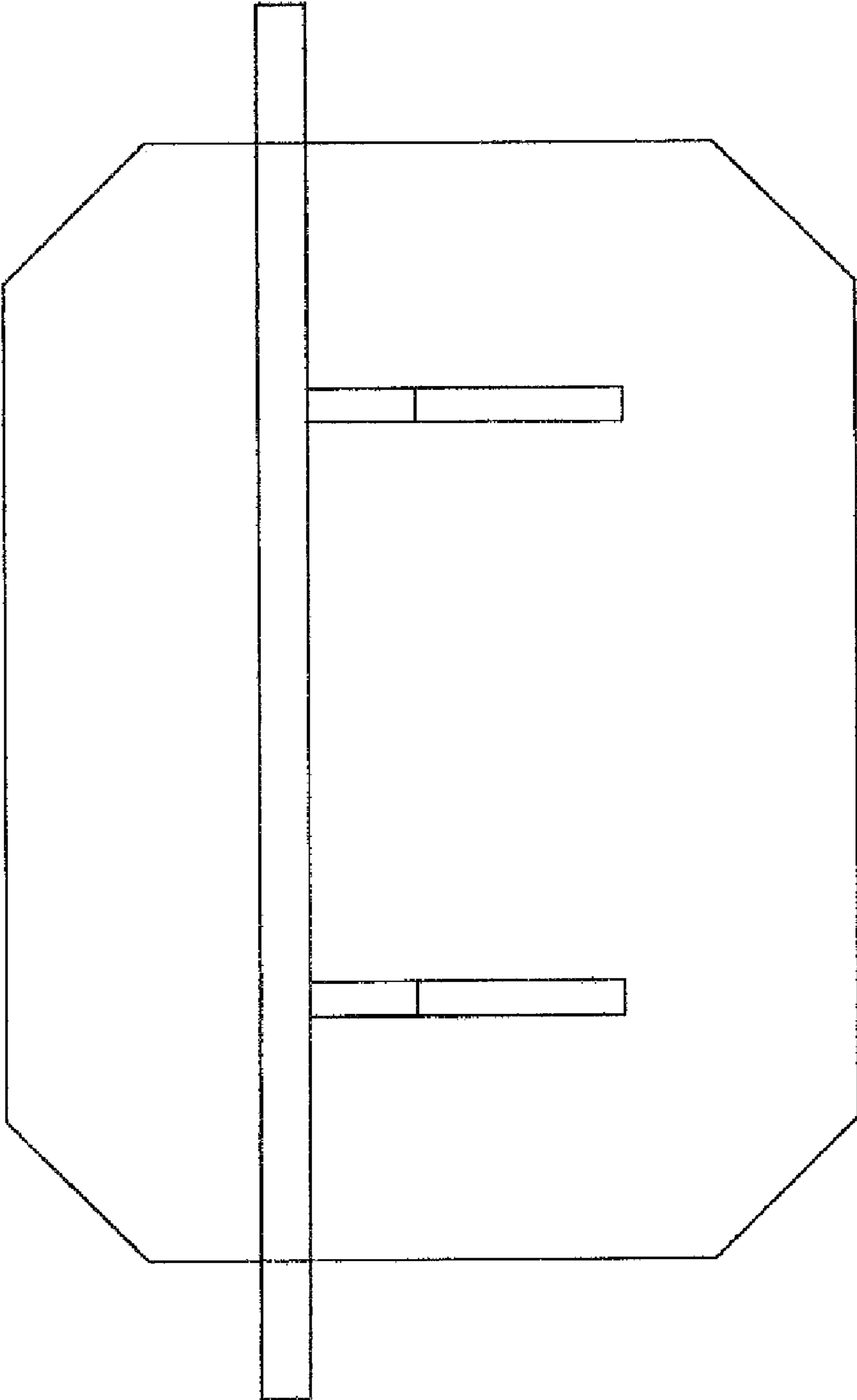


FIG. 5

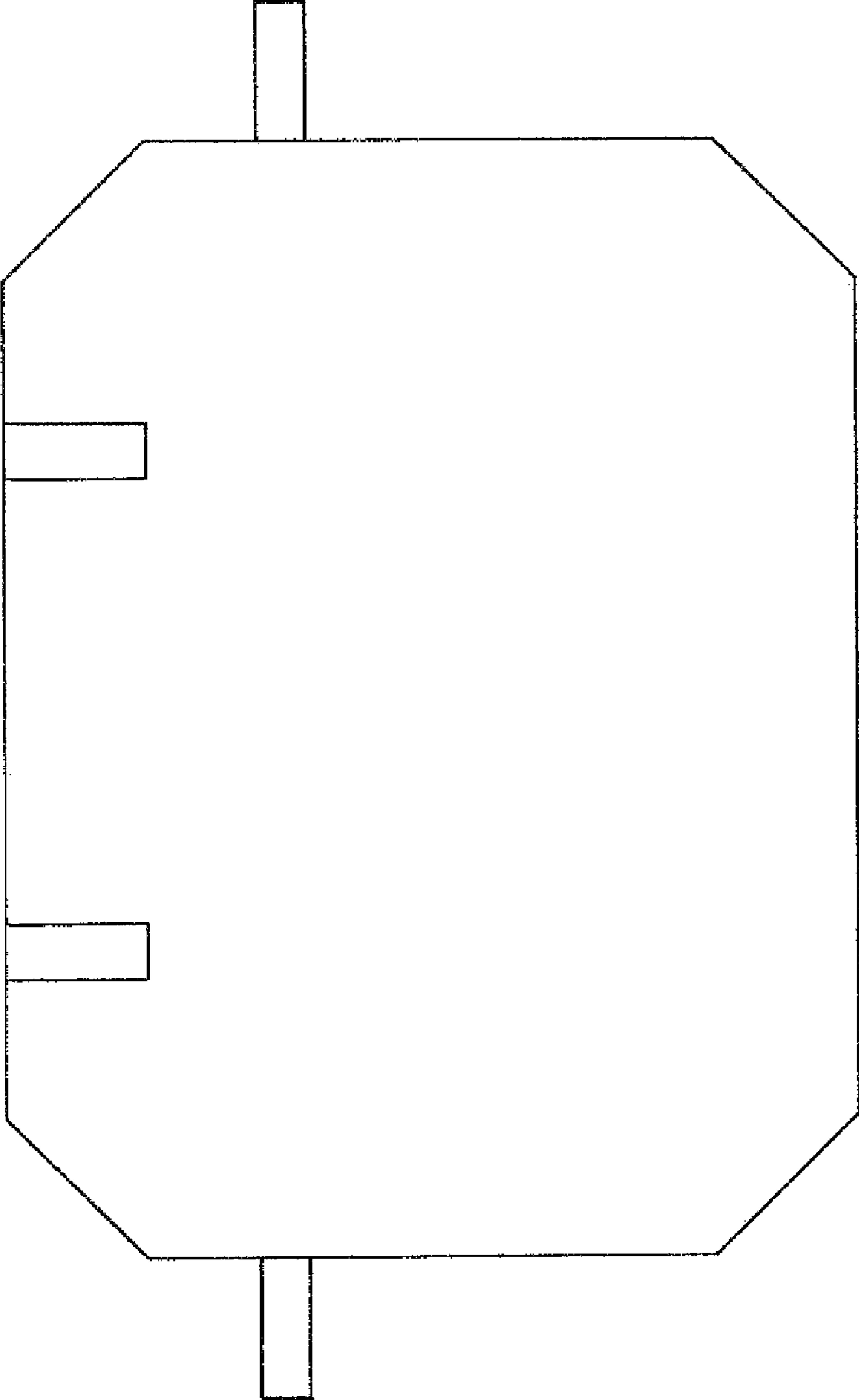


FIG. 6

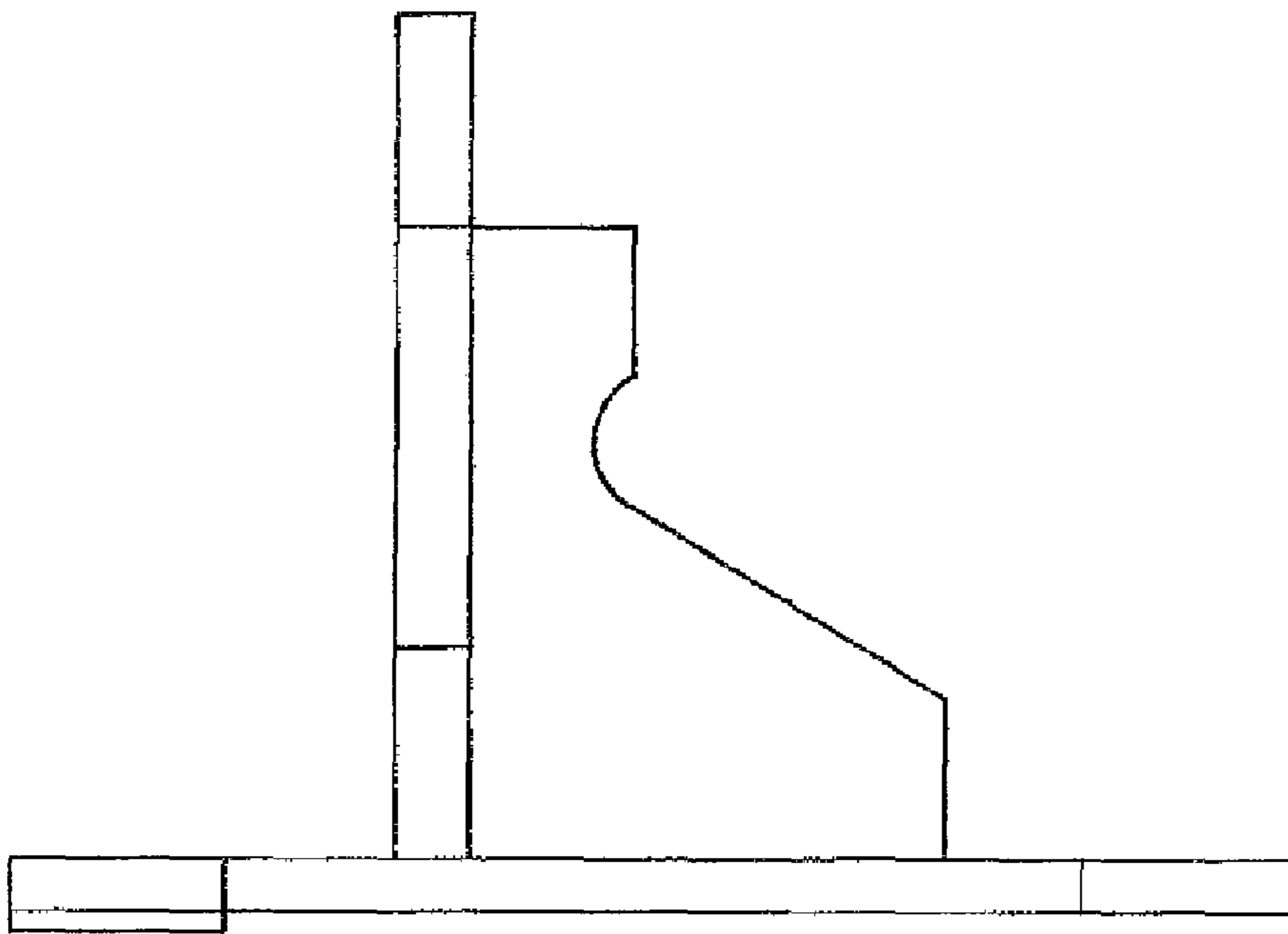


FIG. 7

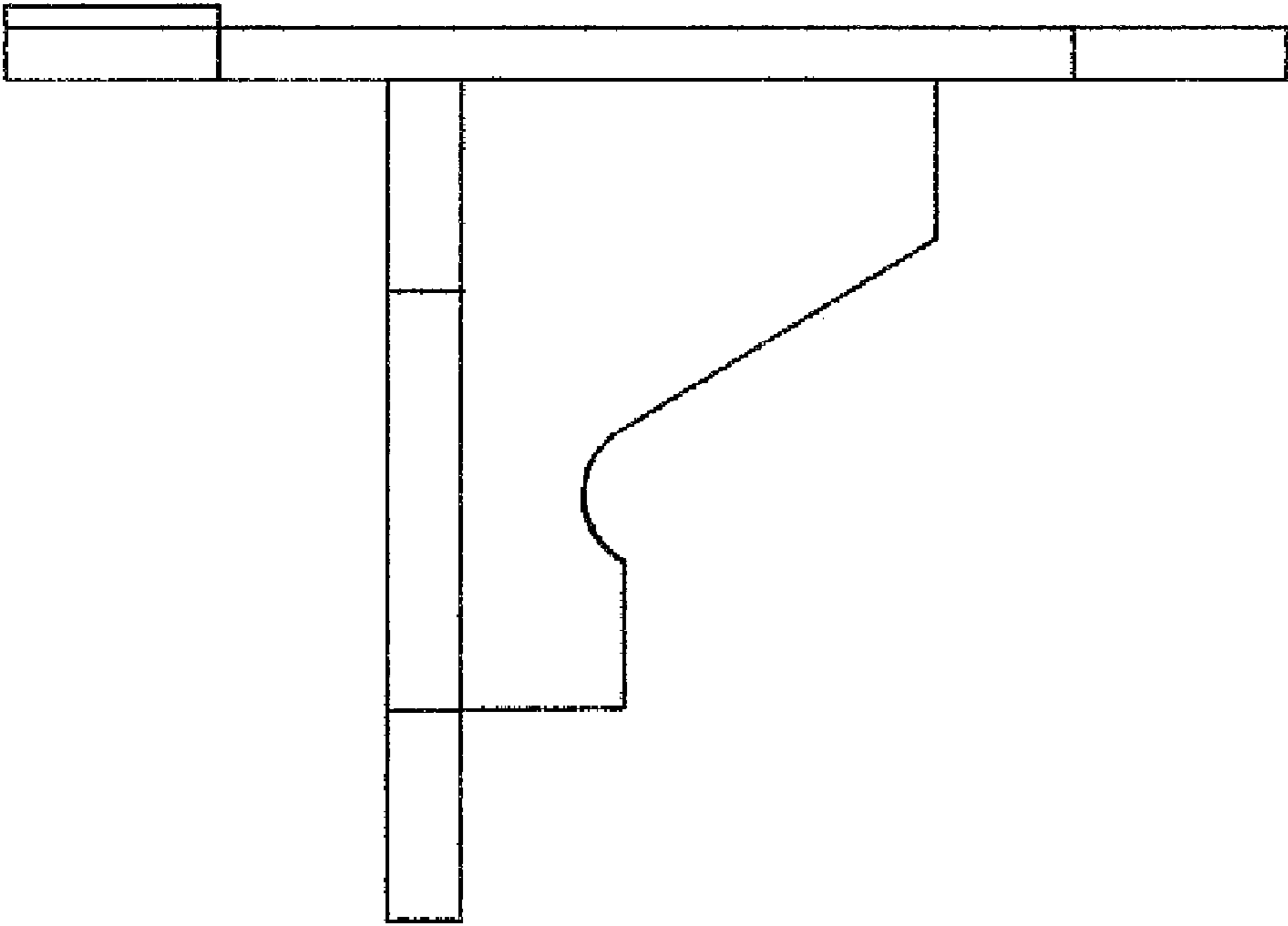


FIG. 8