



US00D606348S

(12) **United States Design Patent**
White et al.

(10) **Patent No.:** **US D606,348 S**

(45) **Date of Patent:** **** Dec. 22, 2009**

(54) **CONDOM HOLDER**

(76) Inventors: **Kevin White**, 33-76 159th St., Flushing,
NY (US) 11358; **Christopher**
Borkowski, 6106 Wynbrook Dr.,
Randolph, NJ (US) 07869

(**) Term: **14 Years**

(21) Appl. No.: **29/293,523**

(22) Filed: **Nov. 29, 2007**

(51) **LOC (9) Cl.** **06-04**

(52) **U.S. Cl.** **D6/553**

(58) **Field of Classification Search** D6/512-523,
D6/553-574; D9/730, 702, 432, 431, 414,
D9/499; D19/78, 84, 90, 65, 75, 81, 85,
D19/86, 91, 100; 211/13.1, 10-12, 85.13,
211/44, 60.1, 69.1, 70.6, 70.7, 72, 86.01,
211/87.01, 90.01, 119.009, 134; 206/69,
206/363, 361, 349, 703, 233, 581, 570, 514,
206/77.1, 96, 730, 735; D3/203.1, 203.5,
D3/201, 226, 227, 269, 304, 315

See application file for complete search history.

(56) **References Cited**

U.S. PATENT DOCUMENTS

D310,760 S * 9/1990 Murphy D6/515
D314,488 S * 2/1991 Aaldenberg et al. D6/567
D338,864 S * 8/1993 Morris et al. D6/567
D347,137 S * 5/1994 McWhirter D6/567
D353,735 S * 12/1994 English D6/567

D391,990 S * 3/1998 Wolff D19/78
D419,350 S * 1/2000 Baron D6/553
D454,455 S * 3/2002 Ong D6/518
D535,842 S * 1/2007 Wood D6/567
D536,560 S * 2/2007 Hajianpour D6/518
D551,008 S * 9/2007 Hidalgo D6/567
D555,406 S * 11/2007 Burt D6/567
D576,486 S * 9/2008 Koza D9/432

* cited by examiner

Primary Examiner—Brian N Vinson

(74) *Attorney, Agent, or Firm*—Wolff & Samson PC

(57) **CLAIM**

The ornamental design for a condom holder, as shown and described.

DESCRIPTION

FIG. 1 is a front, right side perspective view of the condom holder of the present invention;

FIG. 2 is a view as in FIG. 1, of a second embodiment of the condom holder;

FIG. 3 is a front view of FIG. 1;

FIG. 4 is a rear view FIGS. 1 and 2;

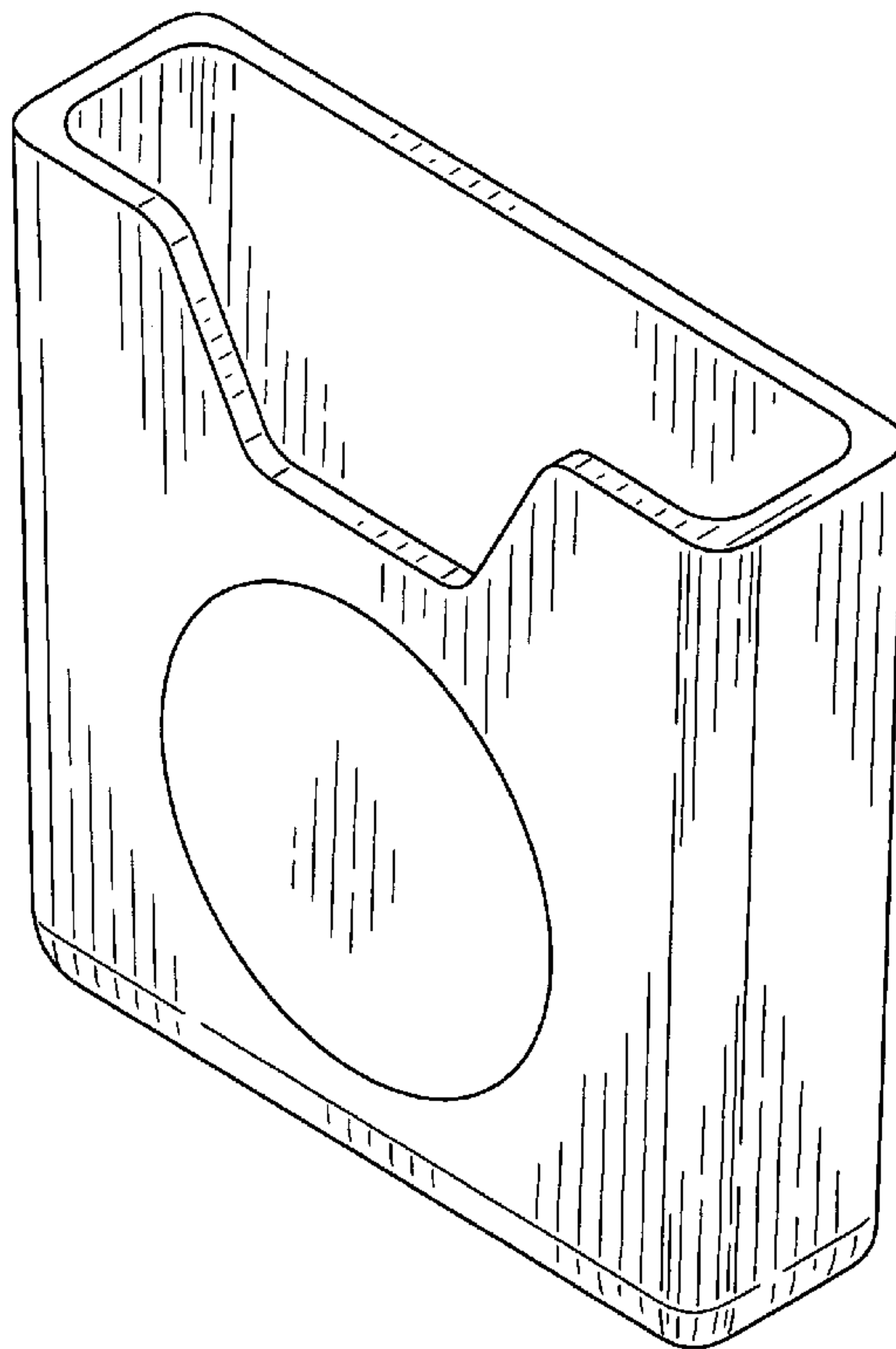
FIG. 5 is a right side view thereof;

FIG. 6 is a left side view thereof;

FIG. 7 is a top view thereof; and,

FIG. 8 is a bottom view thereof.

1 Claim, 3 Drawing Sheets



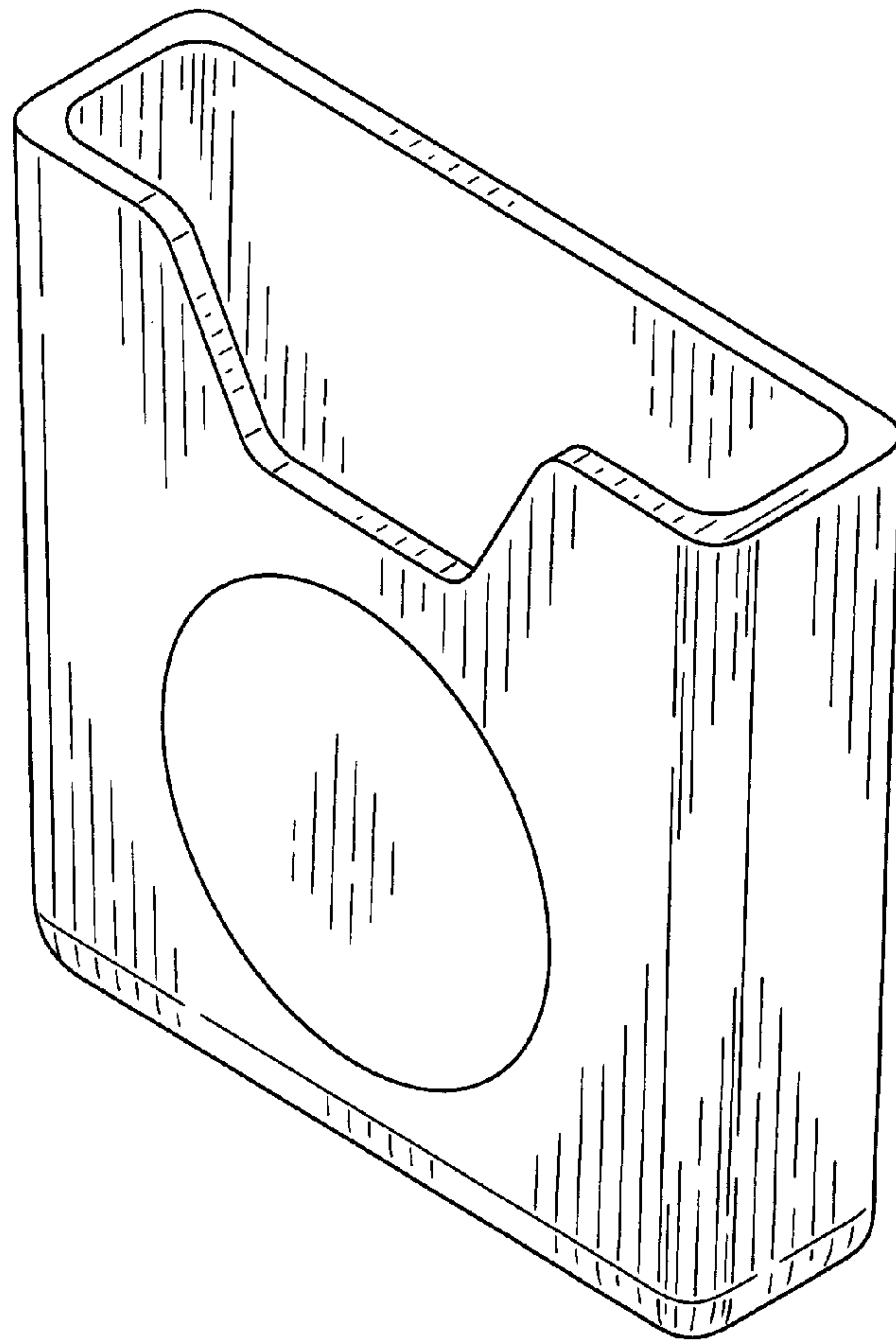


FIG. 1

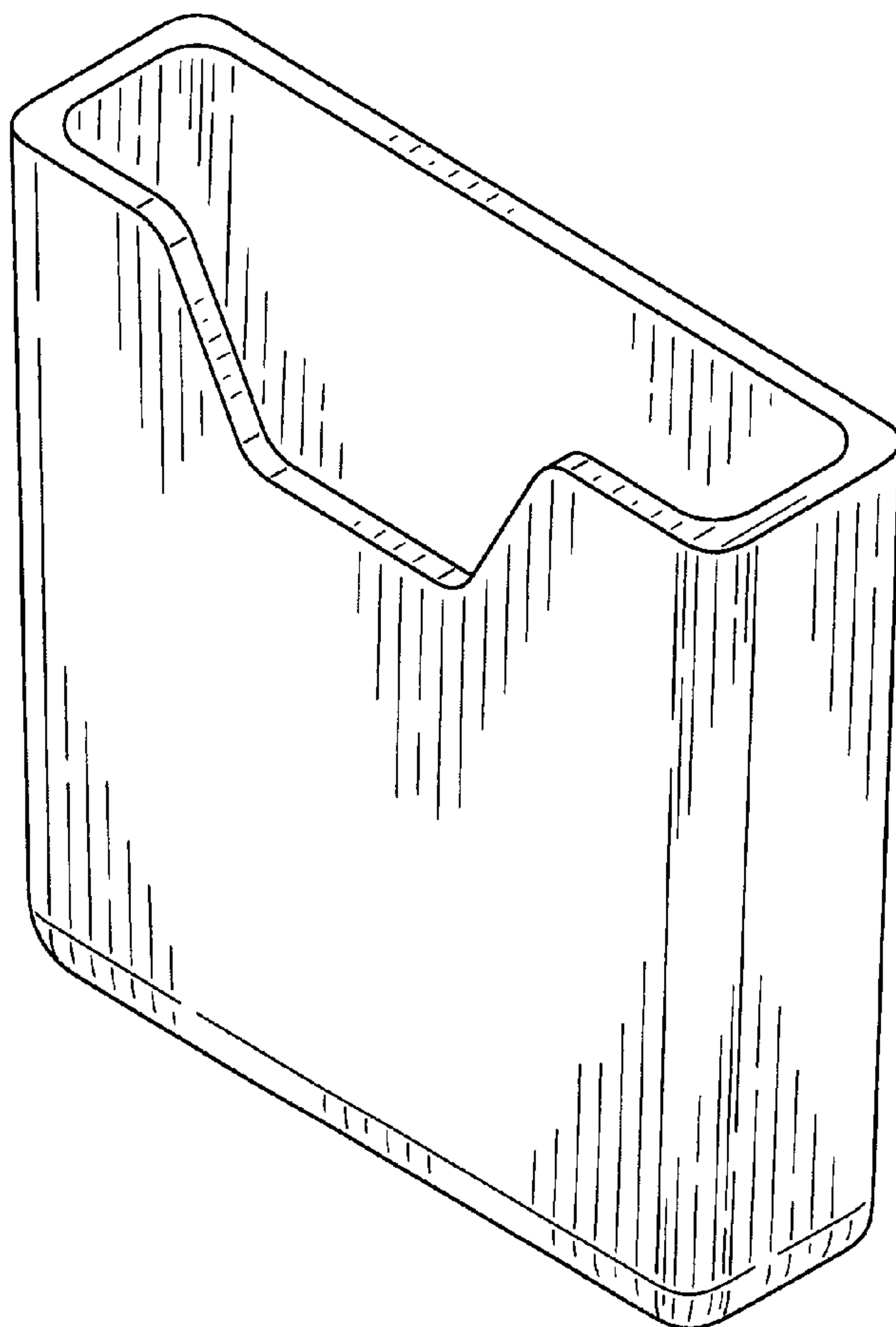


FIG. 2

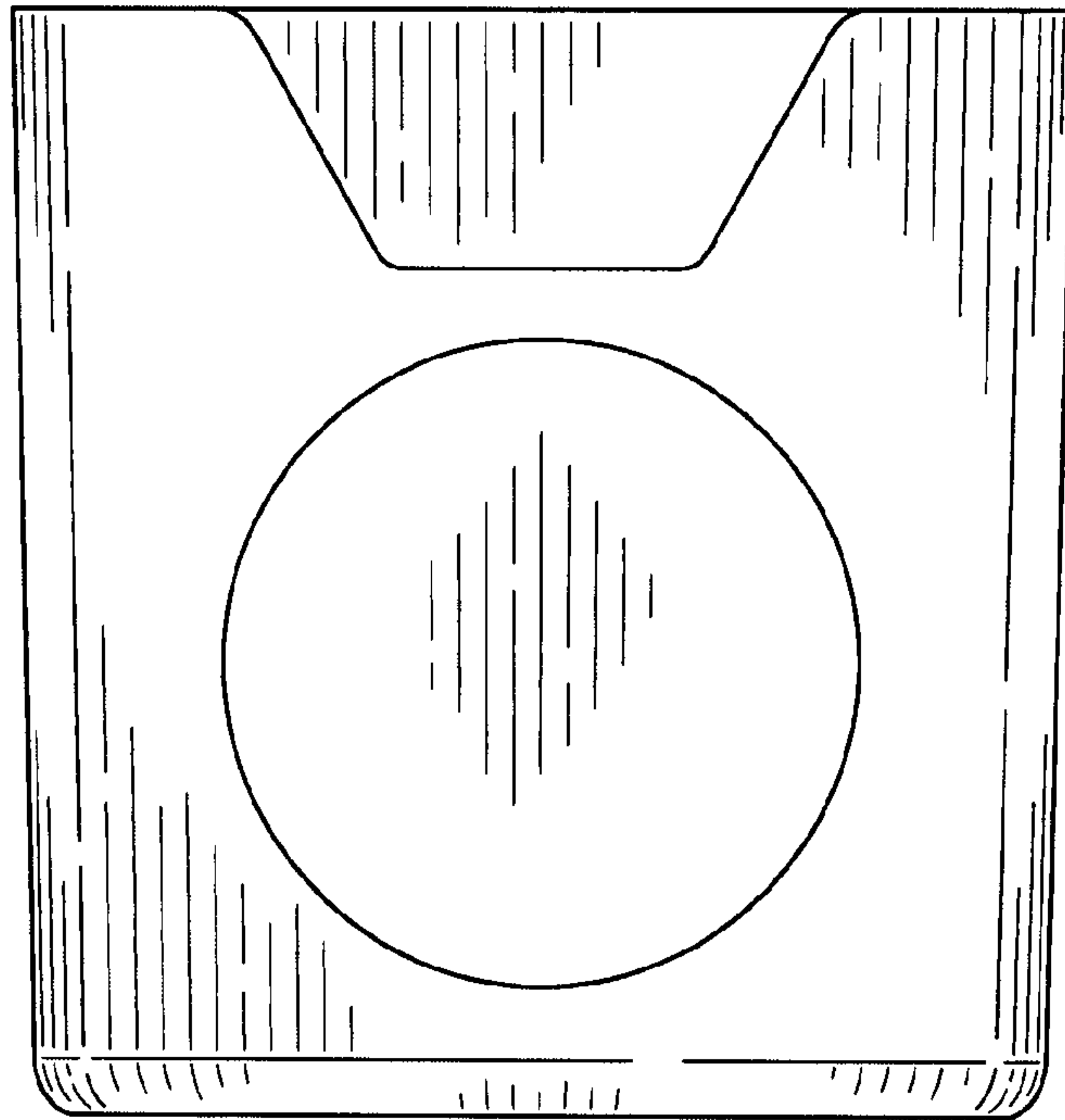


FIG. 3

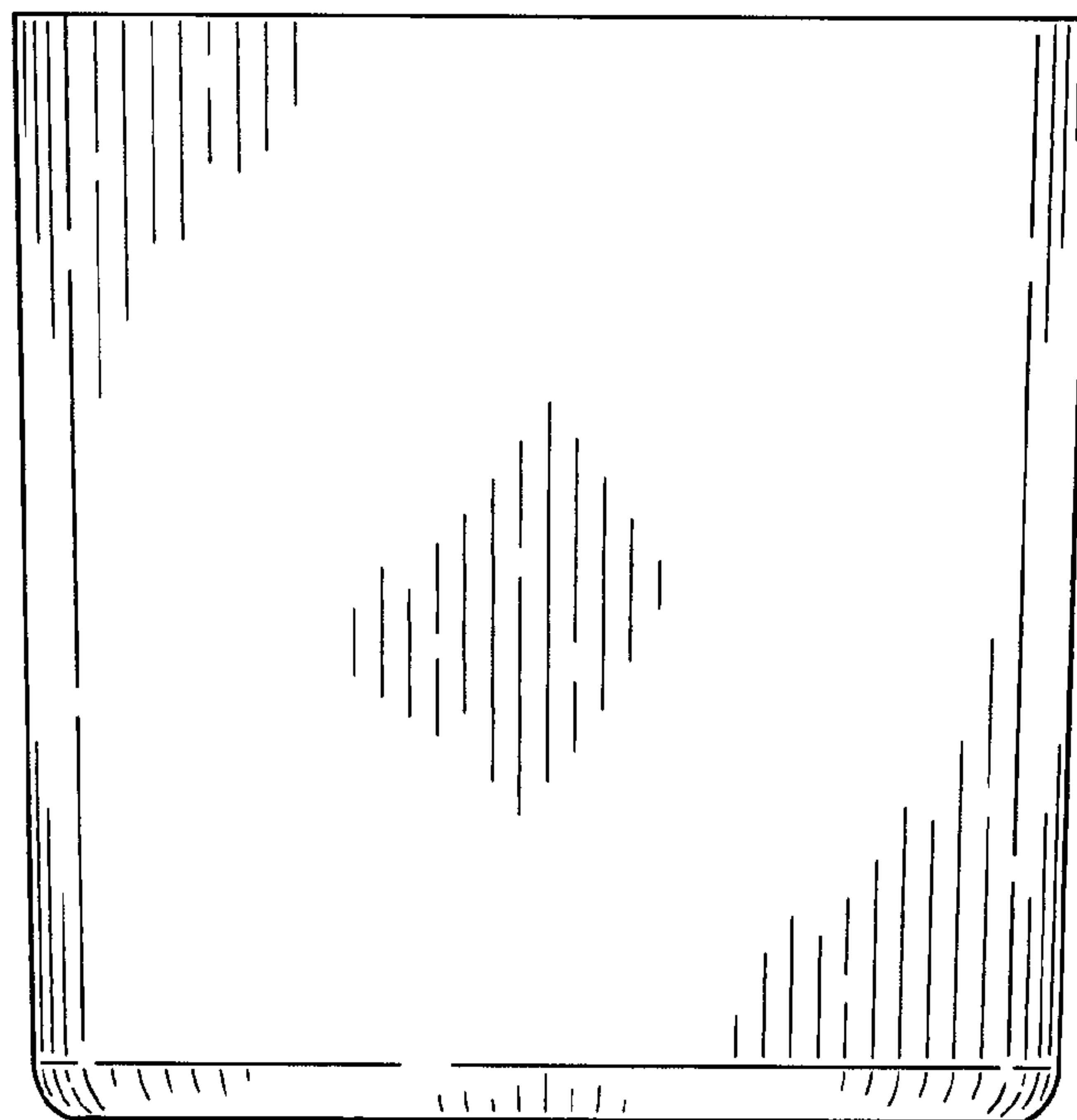


FIG. 4

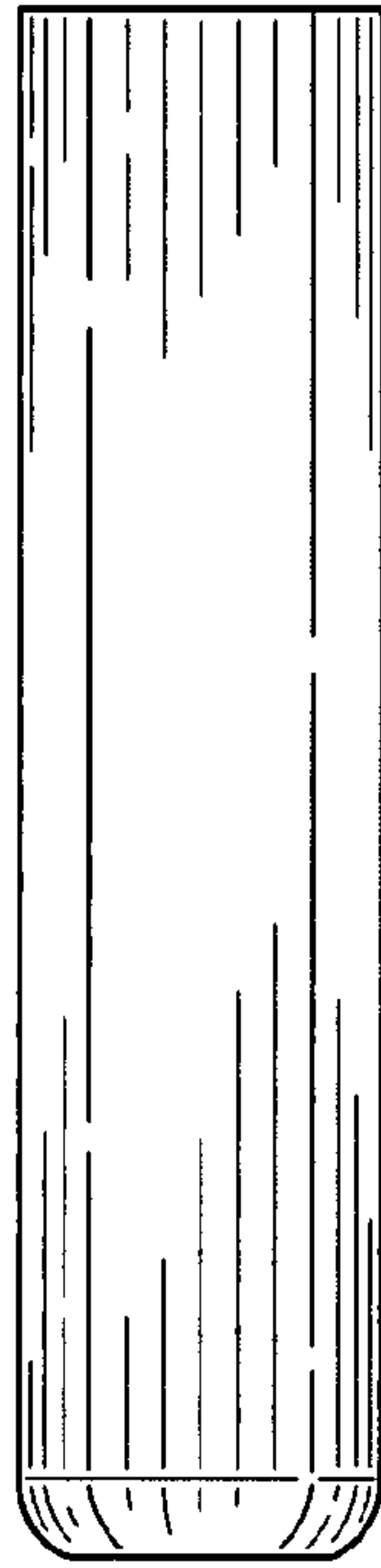


FIG. 5

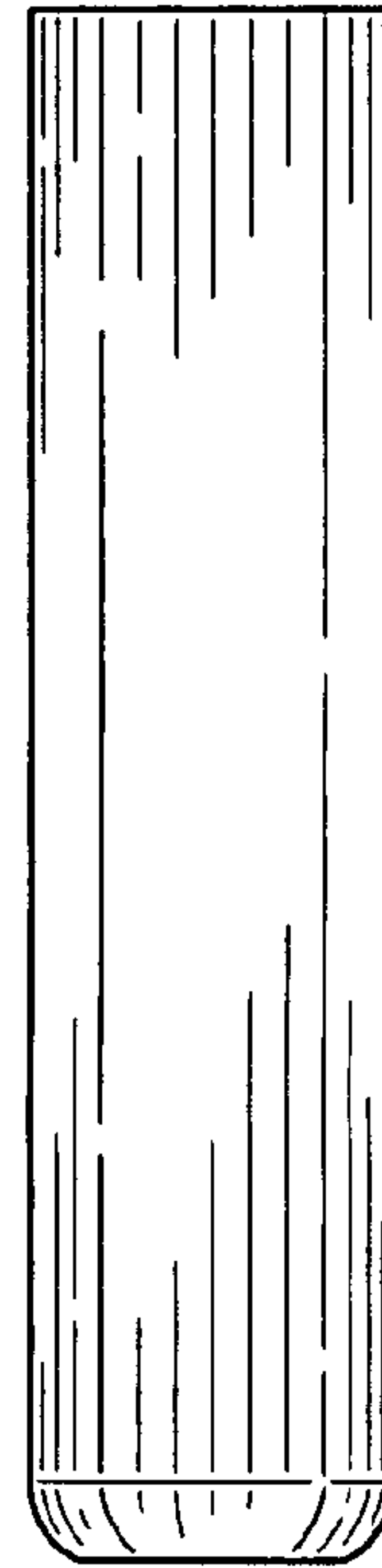


FIG. 6

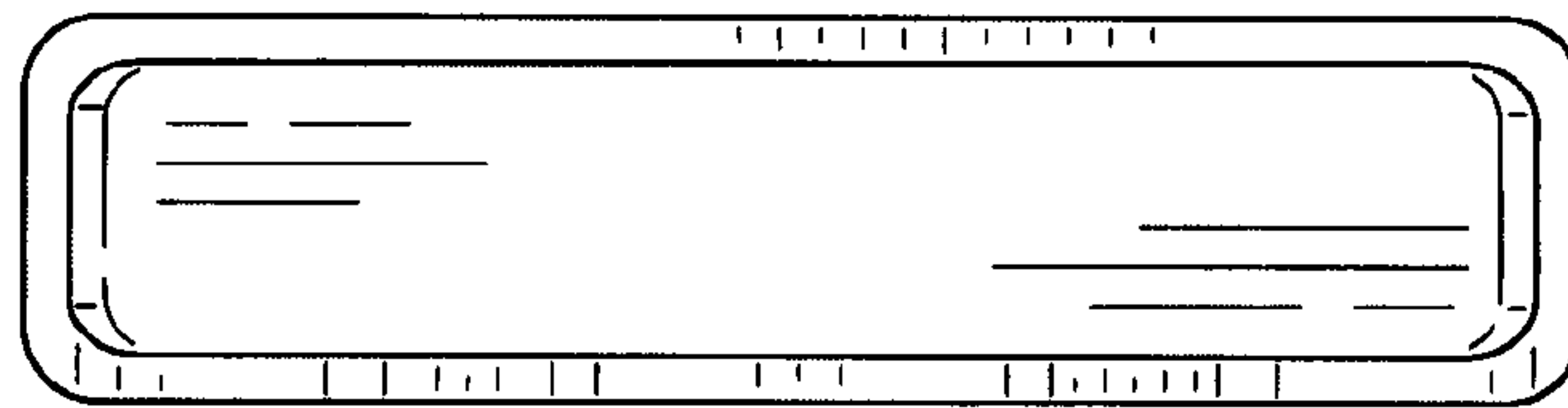


FIG. 7

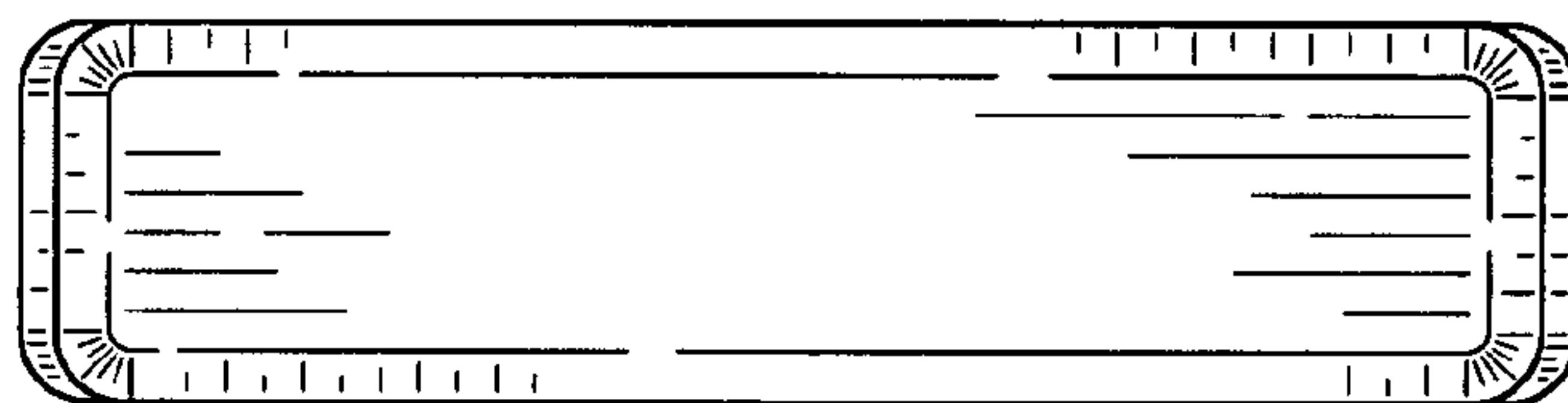


FIG. 8