



US00D606347S

(12) **United States Design Patent**
Berry

(10) **Patent No.:** **US D606,347 S**

(45) **Date of Patent:** **** Dec. 22, 2009**

(54) **MULTI-PURPOSE ORGANIZER**

Primary Examiner—Brian N Vinson

(76) Inventor: **Moses Lee Berry**, 1316 Temple Cir.,
Haines City, FL (US) 33844

(57) **CLAIM**

The ornamental design for a multi-purpose organizer, as shown and described.

(**) Term: **14 Years**

(21) Appl. No.: **29/289,927**

DESCRIPTION

(22) Filed: **Aug. 7, 2007**

FIG. 1 is an elevation view of a multi-purpose organizer showing my new design;

(51) **LOC (9) Cl.** **06-04**

FIG. 2 is a front elevational view thereof;

(52) **U.S. Cl.** **D6/553**

FIG. 3 is a back elevational view thereof;

(58) **Field of Classification Search** D6/553,
D6/567, 569, 571; D19/65, 75, 77-78, 86-91,
D19/99-100; 211/10, 11, 13.1, 44-50, 119.005,
211/87.01, 88.01, 126.15, 126.16

FIG. 4 is a right side elevational view thereof, the left side being a mirror image of that shown;

See application file for complete search history.

FIG. 5 is a top plan view thereof;

FIG. 6 is a bottom plan view thereof;

(56) **References Cited**

FIG. 7 is an elevational view of a second embodiment of FIG. 1

U.S. PATENT DOCUMENTS

FIG. 8 is a front elevational view of the second embodiment thereof;

D232,201 S	7/1974	Hoffman	
D286,600 S	11/1986	Meyer et al.	
D289,122 S	4/1987	Meyer et al.	
D301,101 S	5/1989	Meyer	
D307,445 S	4/1990	Greenhut et al.	
D490,857 S *	6/2004	Snell	D19/78
D494,797 S *	8/2004	Ramnauth et al.	D6/553
D498,264 S *	11/2004	Chen et al.	D19/90
D544,272 S *	6/2007	Chen et al.	D6/553
D555,406 S *	11/2007	Burt	D6/567
D563,136 S *	3/2008	Kramer	D6/553

FIG. 9 is a back elevational view of the second embodiment thereof;

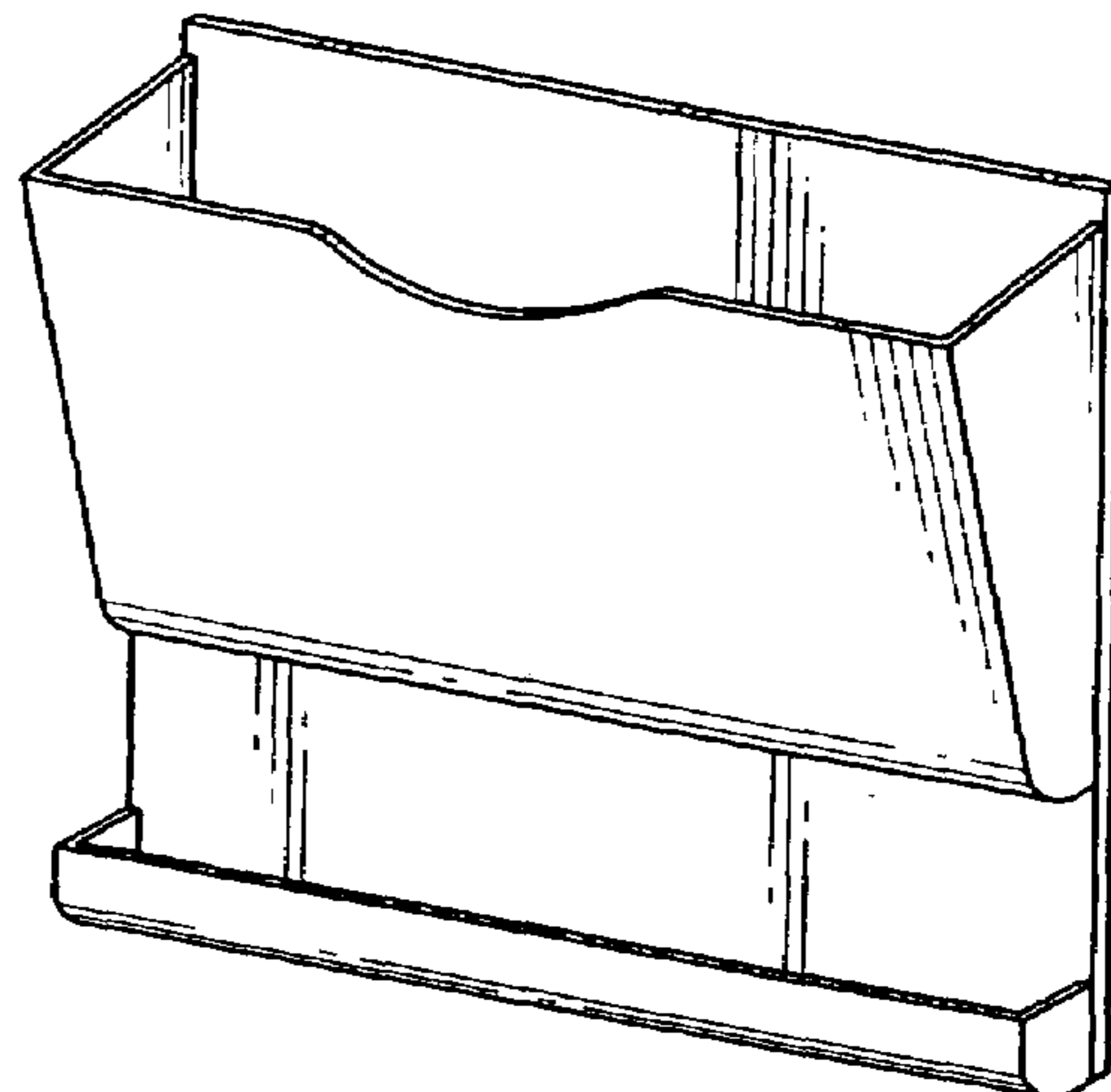
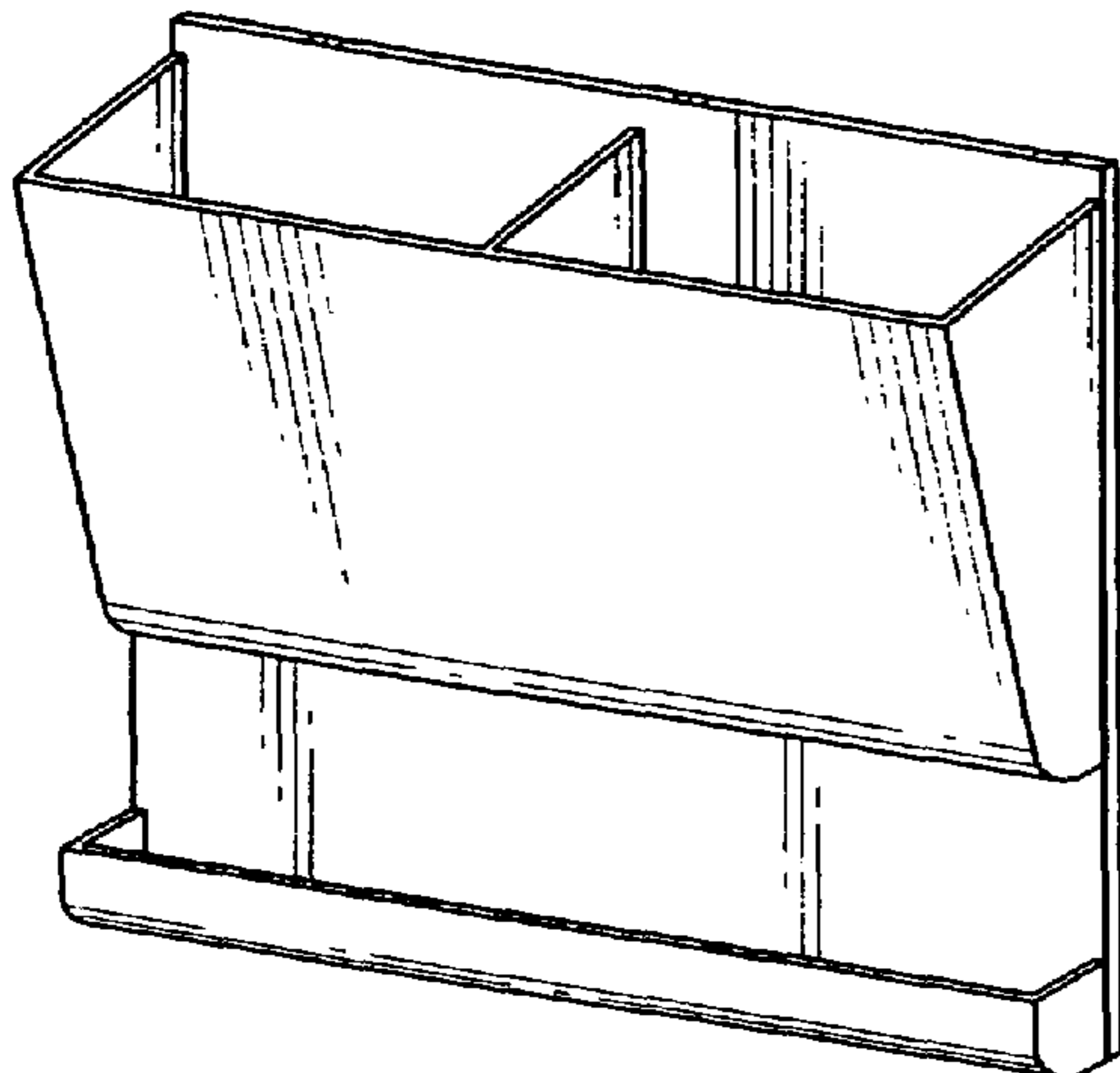
FIG. 10 is a right side elevational view of the of the second embodiment thereof;

FIG. 11 is a top plan view of the second embodiment thereof; and,

FIG. 12 is a bottom plan view of the second embodiment therefore.

* cited by examiner

1 Claim, 5 Drawing Sheets



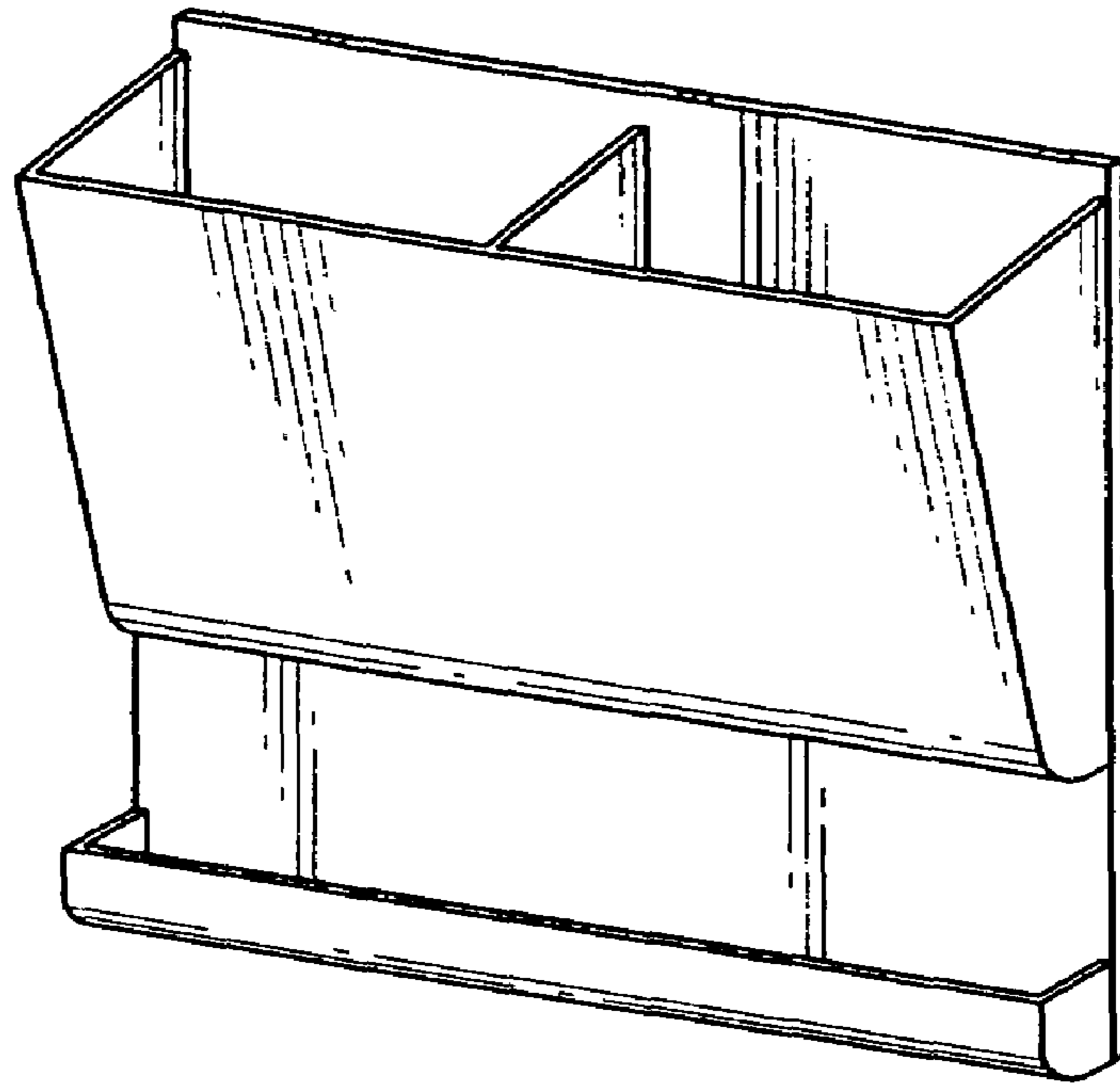


FIG. 1

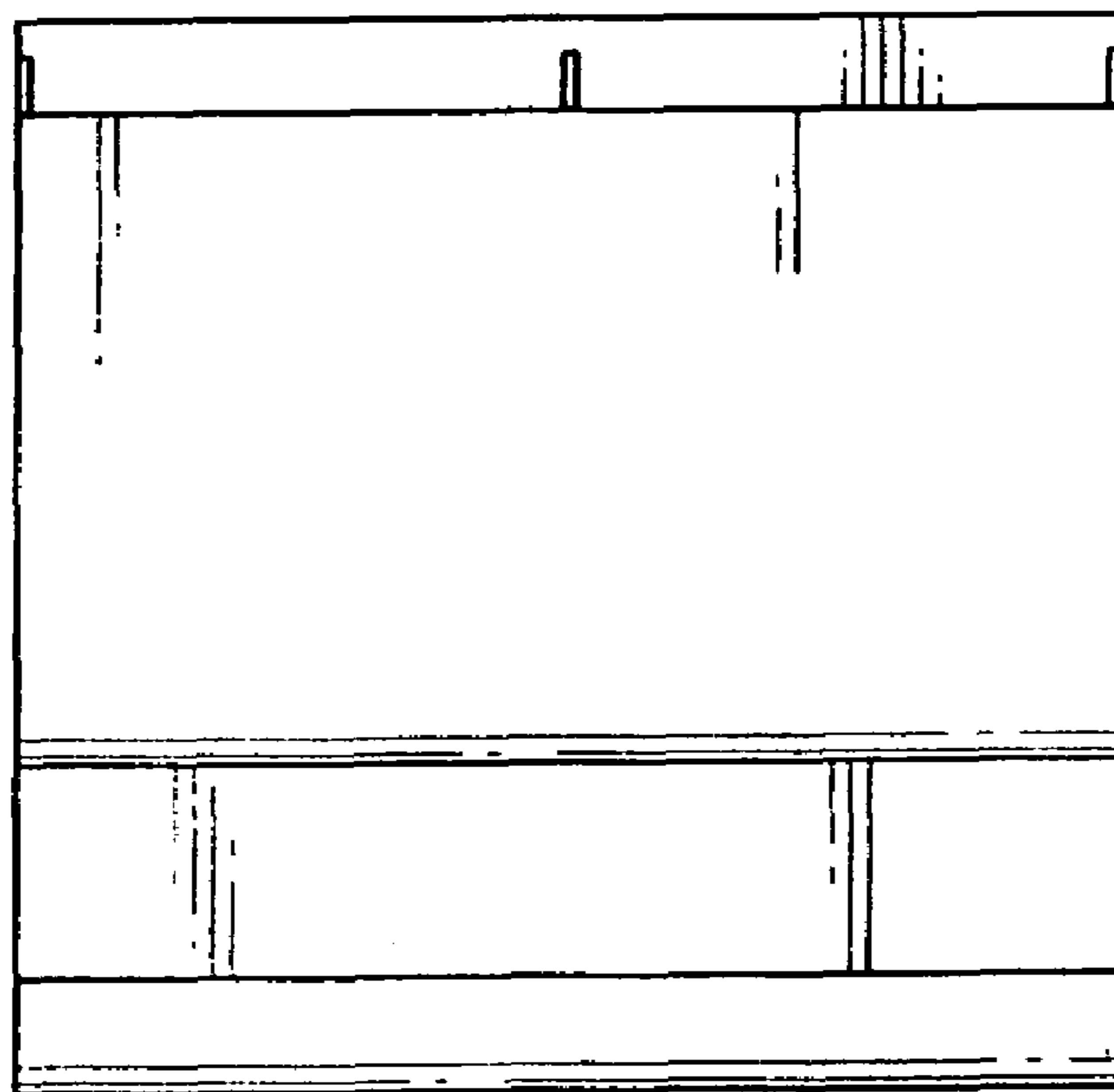


FIG. 2

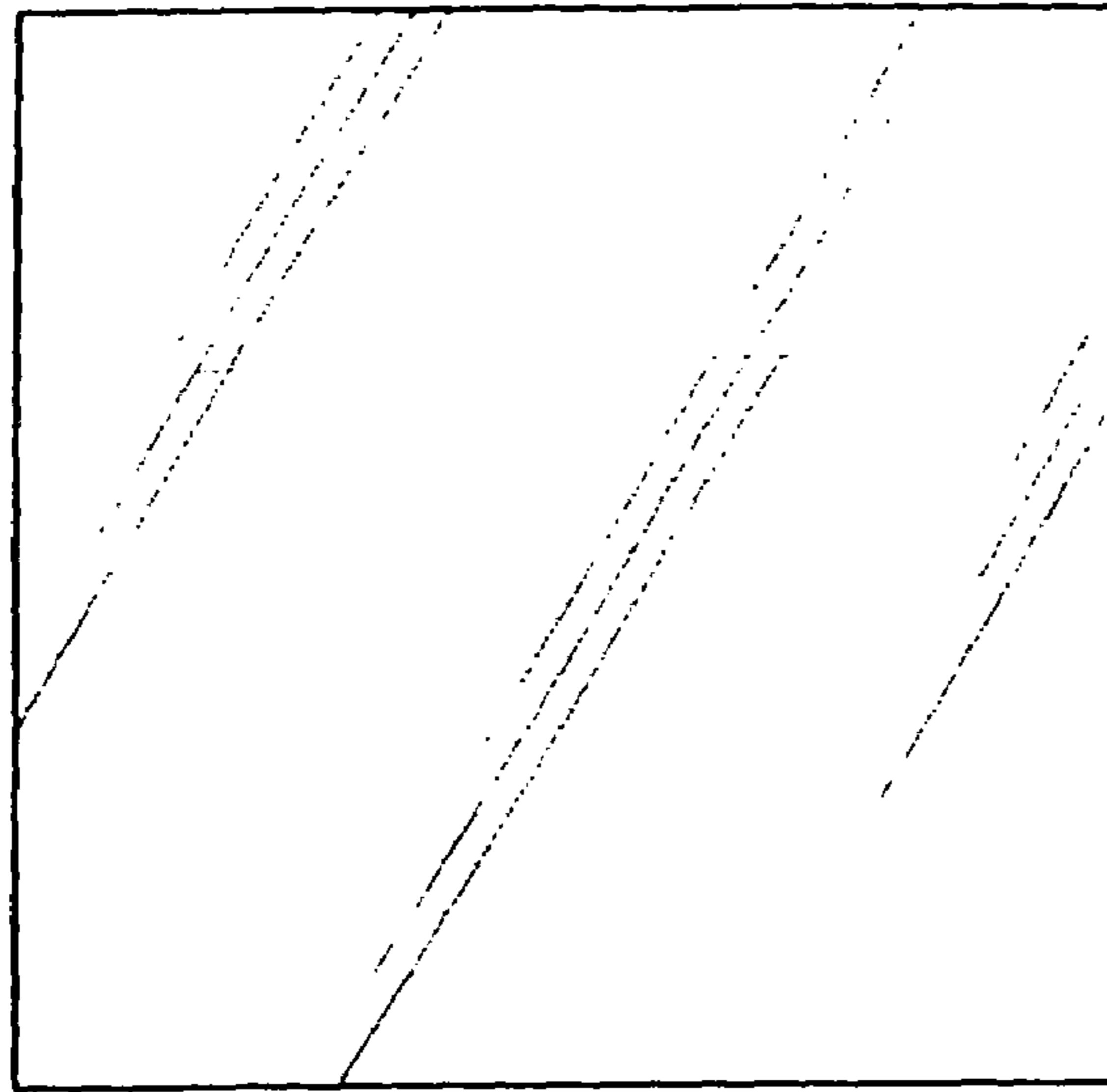


FIG. 3



FIG. 4

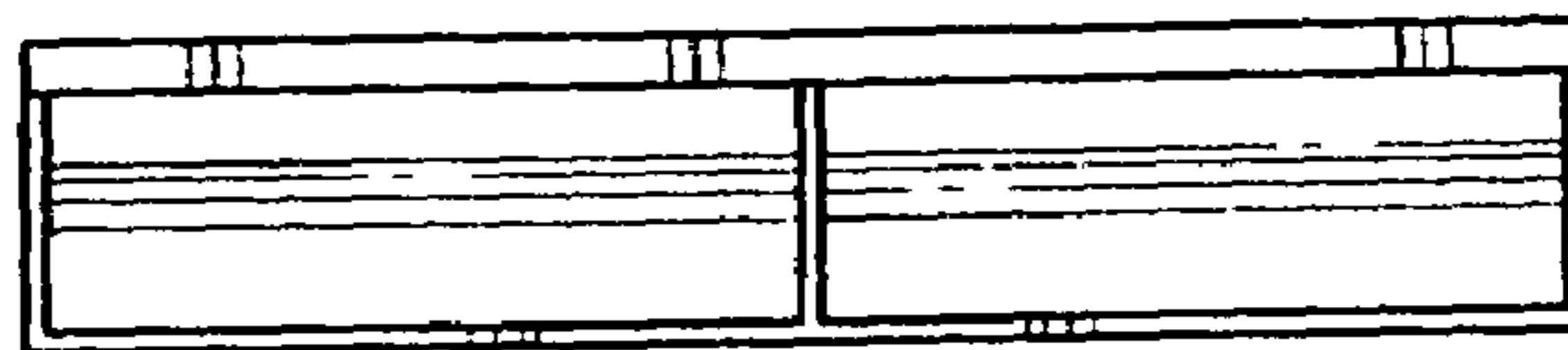


FIG. 5

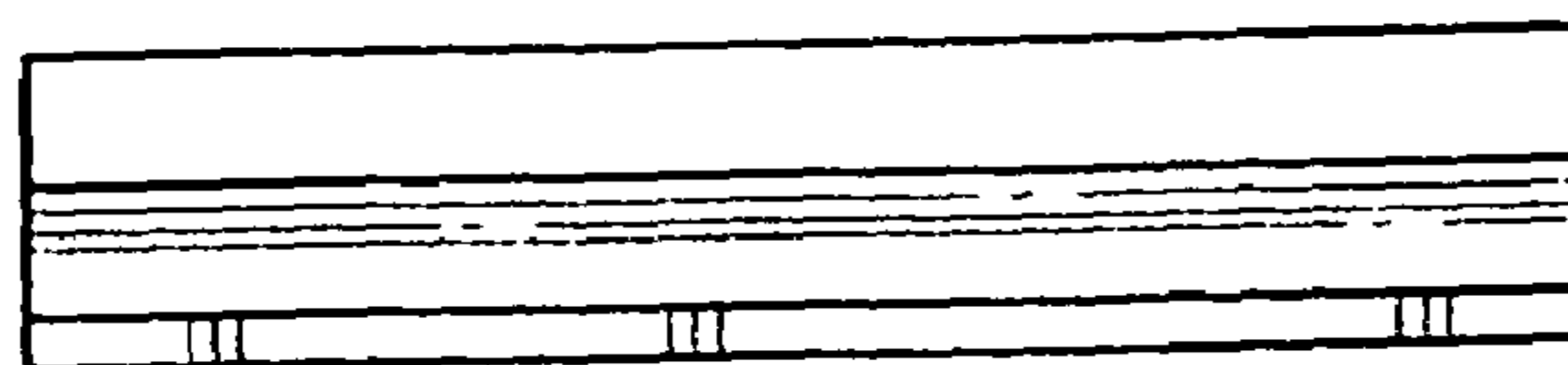


FIG. 6

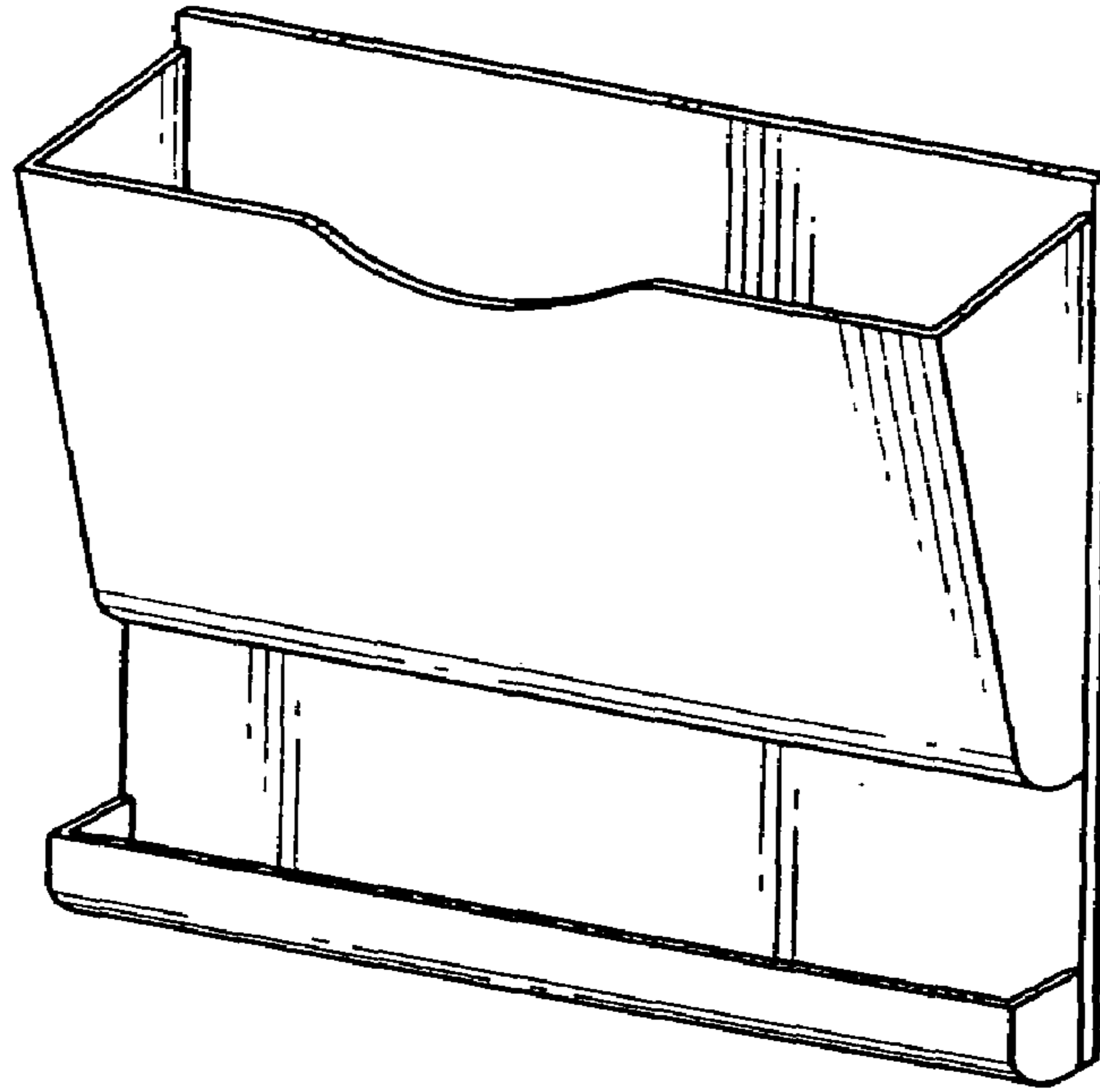


FIG. 7

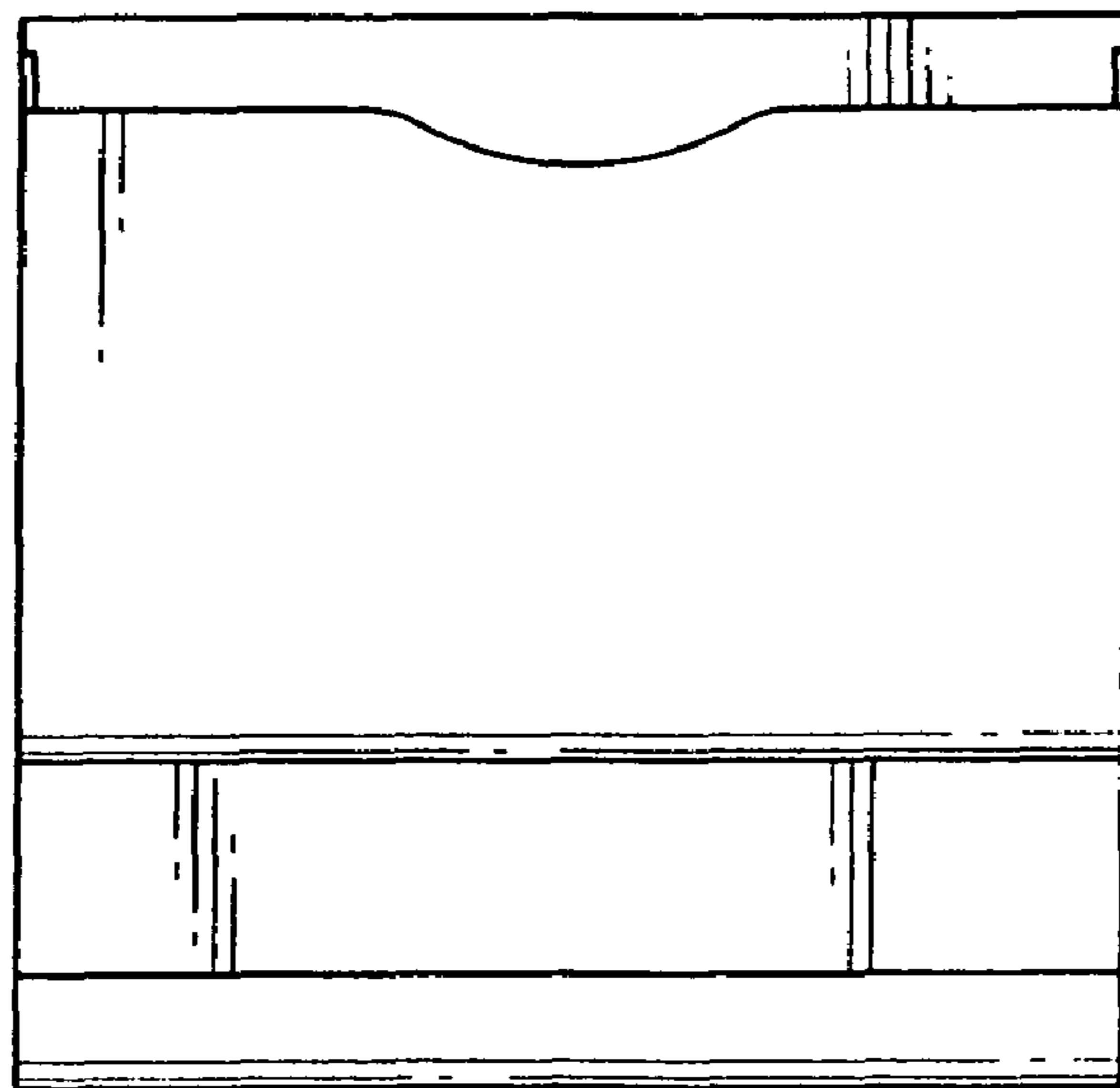


FIG. 8

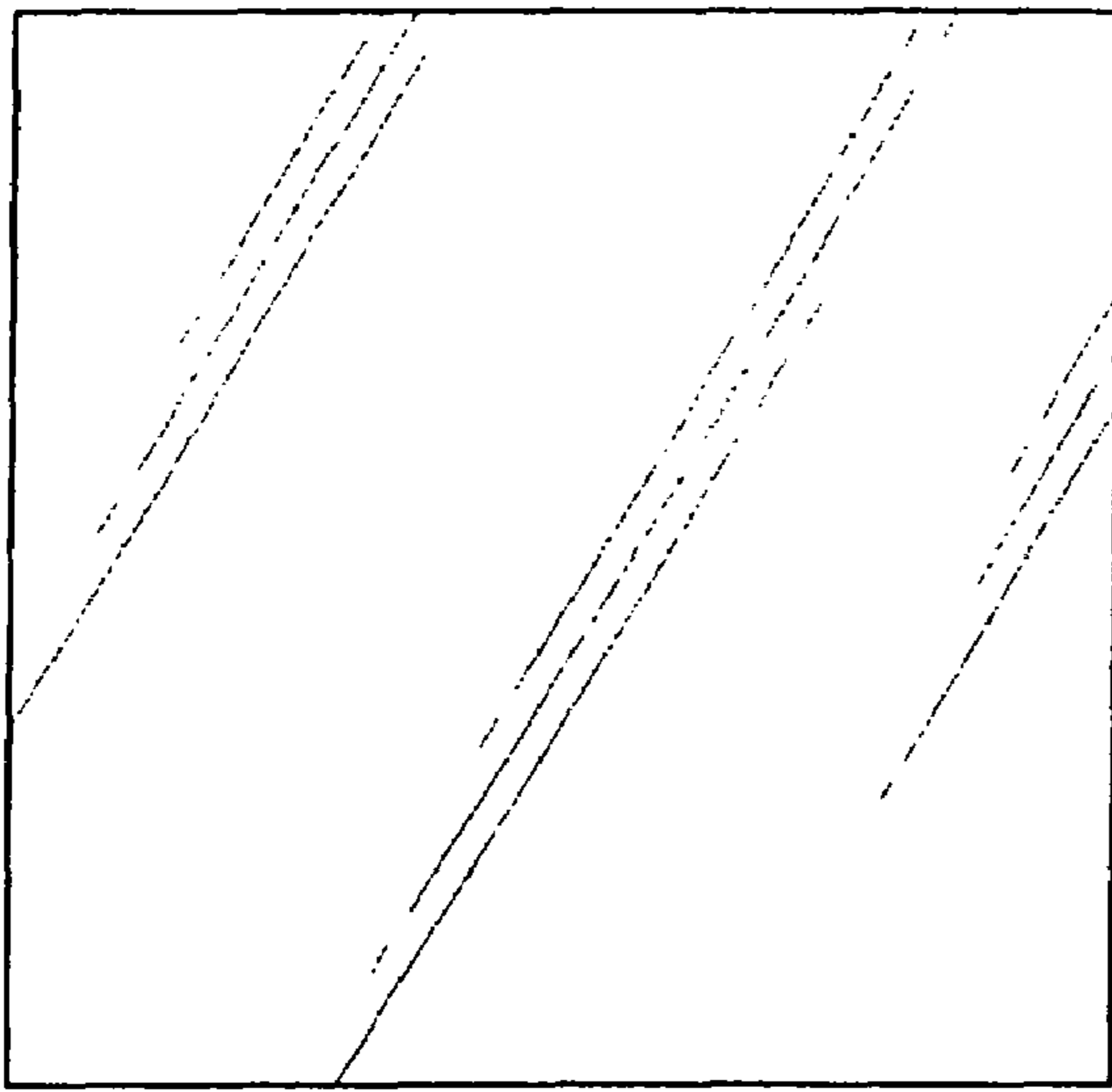


FIG. 9



FIG. 10

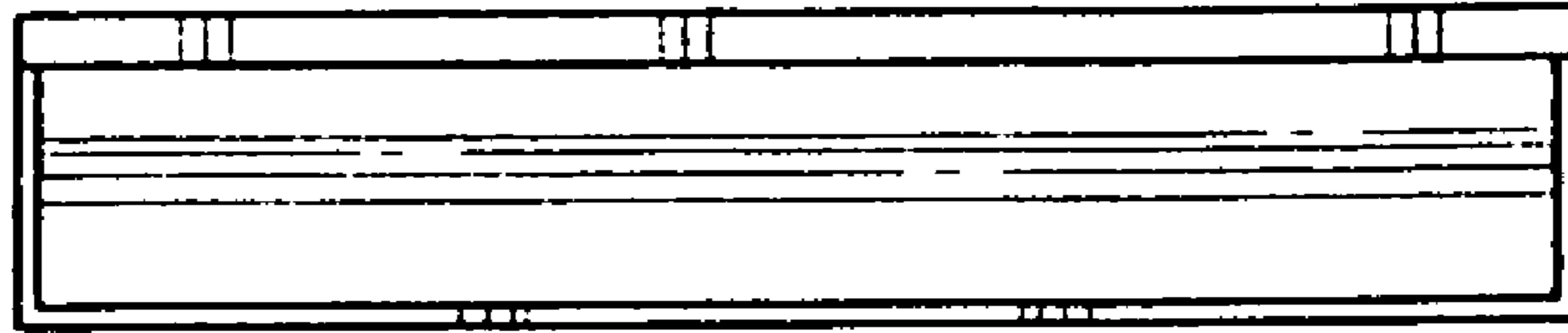


FIG. 11

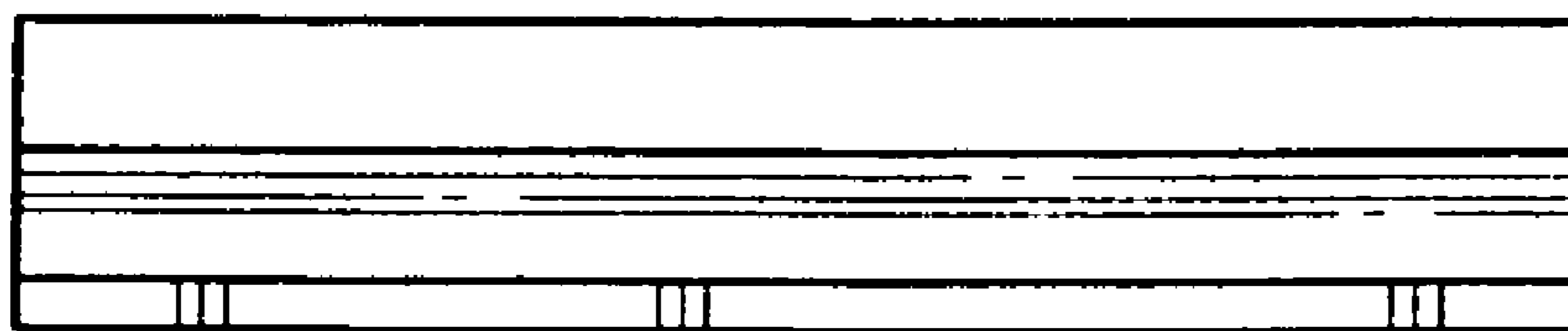


FIG. 12