

US00D606345S

(12) **United States Design Patent**  
**Tsai**

(10) **Patent No.:** **US D606,345 S**

(45) **Date of Patent:** **\*\* Dec. 22, 2009**

(54) **CHAIR ARMREST**

D586,161 S \* 2/2009 Tsai ..... D6/501  
D597,330 S \* 8/2009 Neil ..... D6/366

(76) Inventor: **Po-Chuan Tsai**, 144, Zhung Zhou,  
Zhungsheng Cun, Rende Hsiang, Tainan  
Hsien (TW)

\* cited by examiner

(\*\*) Term: **14 Years**

*Primary Examiner*—Mimosa De  
(74) *Attorney, Agent, or Firm*—Alan Kamrath; Kamrath &  
Associates PA

(21) Appl. No.: **29/335,007**

(22) Filed: **Apr. 7, 2009**

(57) **CLAIM**

(51) **LOC (9) Cl.** ..... **06-01**

The ornamental design for a chair armrest, as shown and  
described.

(52) **U.S. Cl.** ..... **D6/501; D6/366**

(58) **Field of Classification Search** ..... D6/334–336,  
D6/364, 365, 366, 367, 374, 376, 379, 380,  
D6/491, 500–502; 297/411.2, 411.27, 411.34,  
297/411.36, 411.37, 463.1

**DESCRIPTION**

See application file for complete search history.

FIG. 1 is a perspective view of a chair armrest showing my  
design;

FIG. 2 is a front elevational view thereof;

FIG. 3 is a rear elevational view thereof;

FIG. 4 is a left side elevational view thereof;

FIG. 5 is a right side elevational view thereof;

FIG. 6 is a top plan view thereof; and,

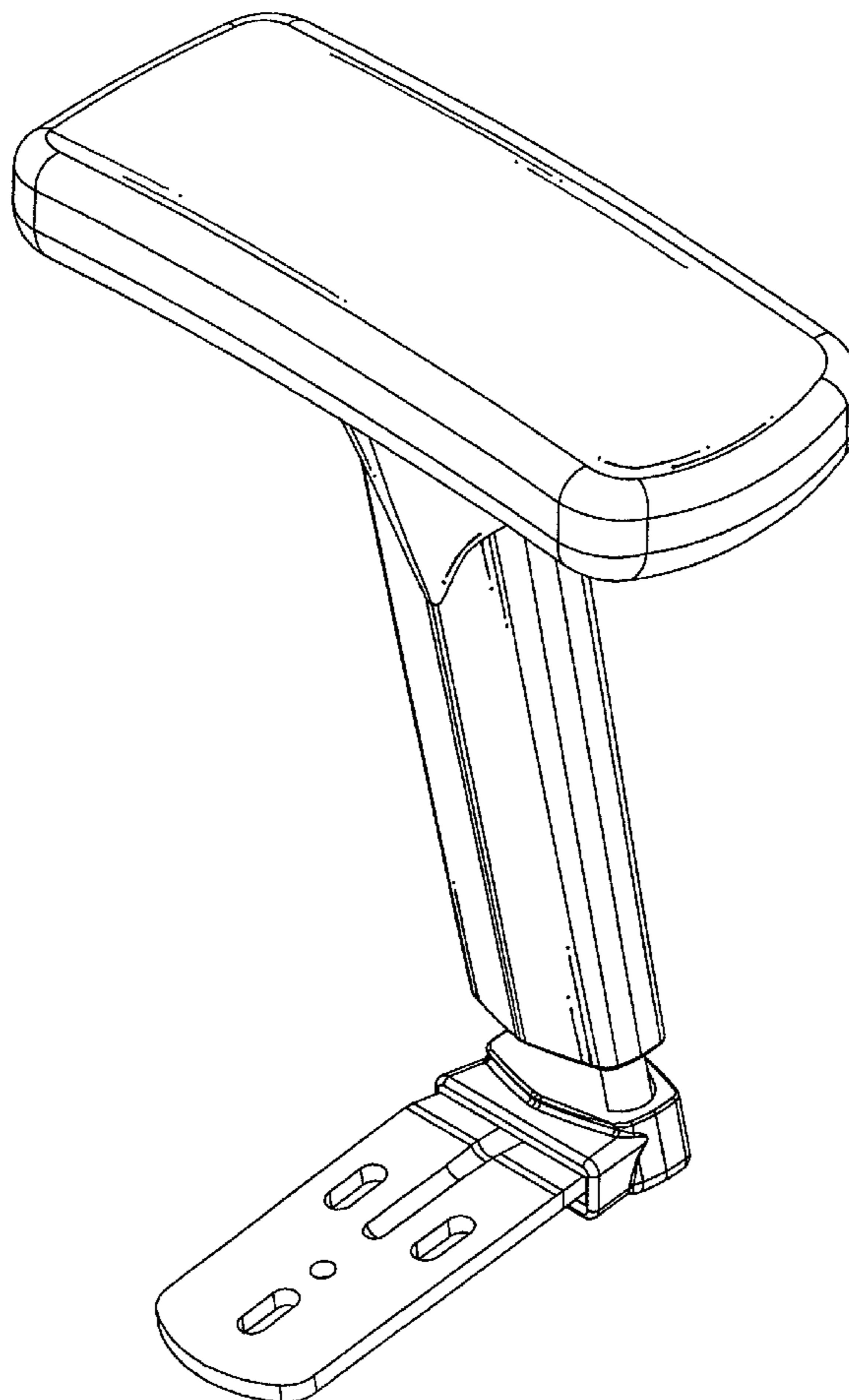
FIG. 7 is a bottom plan view thereof.

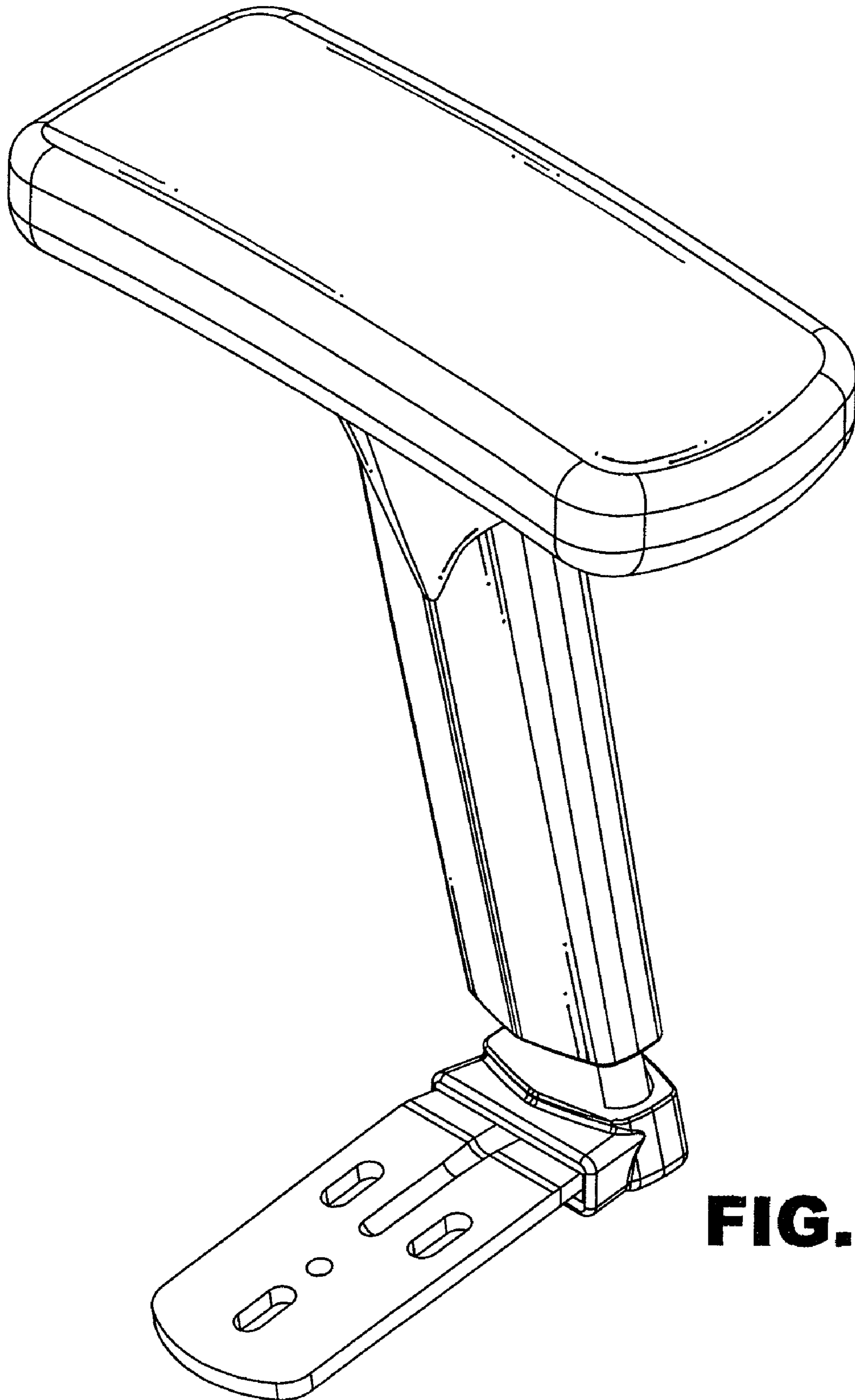
(56) **References Cited**

**U.S. PATENT DOCUMENTS**

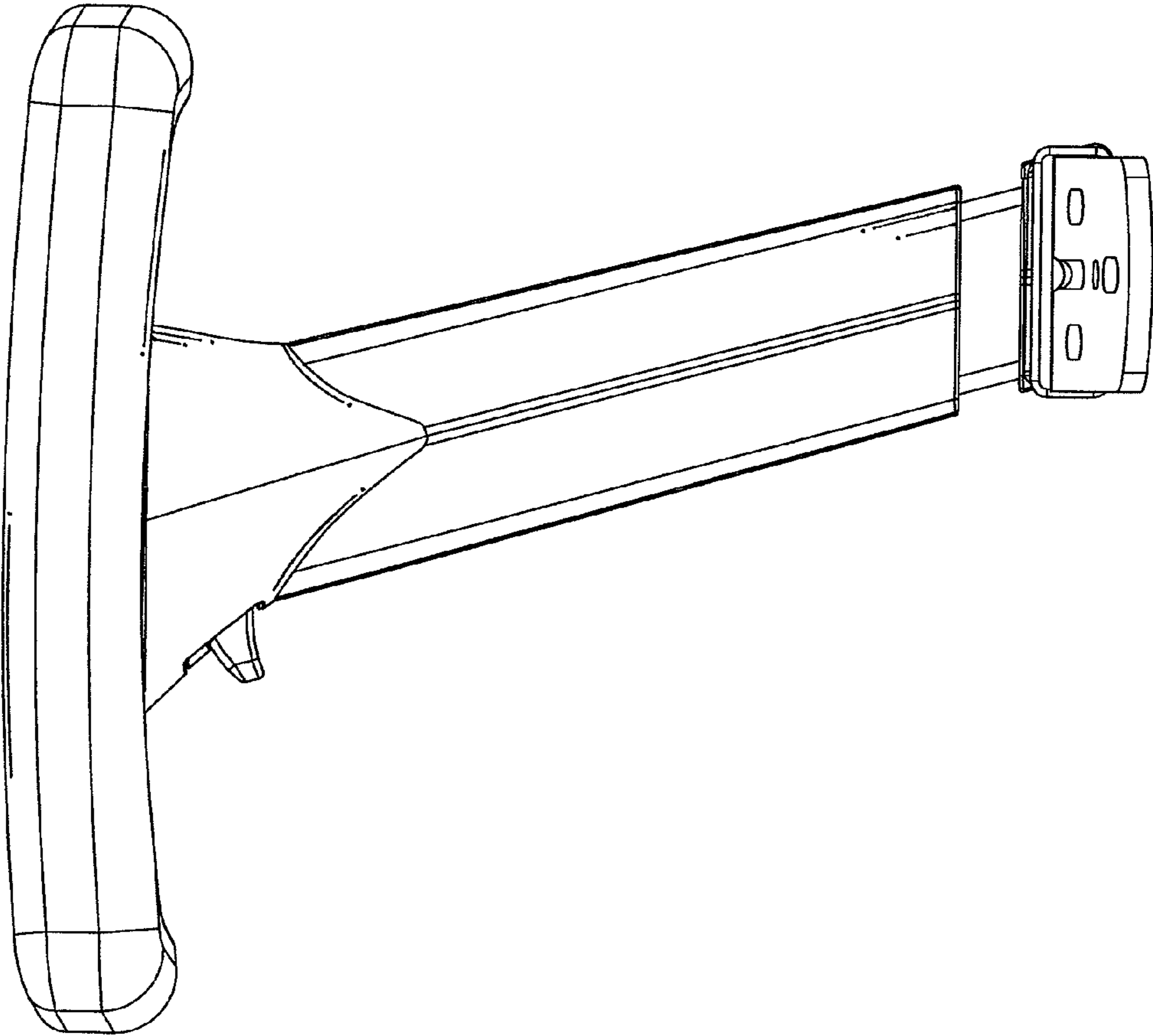
D461,076 S \* 8/2002 Lee ..... D6/501  
D506,336 S \* 6/2005 Bock ..... D6/501  
D535,505 S \* 1/2007 Cai ..... D6/501  
D542,547 S \* 5/2007 Su ..... D6/366  
D583,596 S \* 12/2008 Mazzera ..... D6/501

**1 Claim, 7 Drawing Sheets**

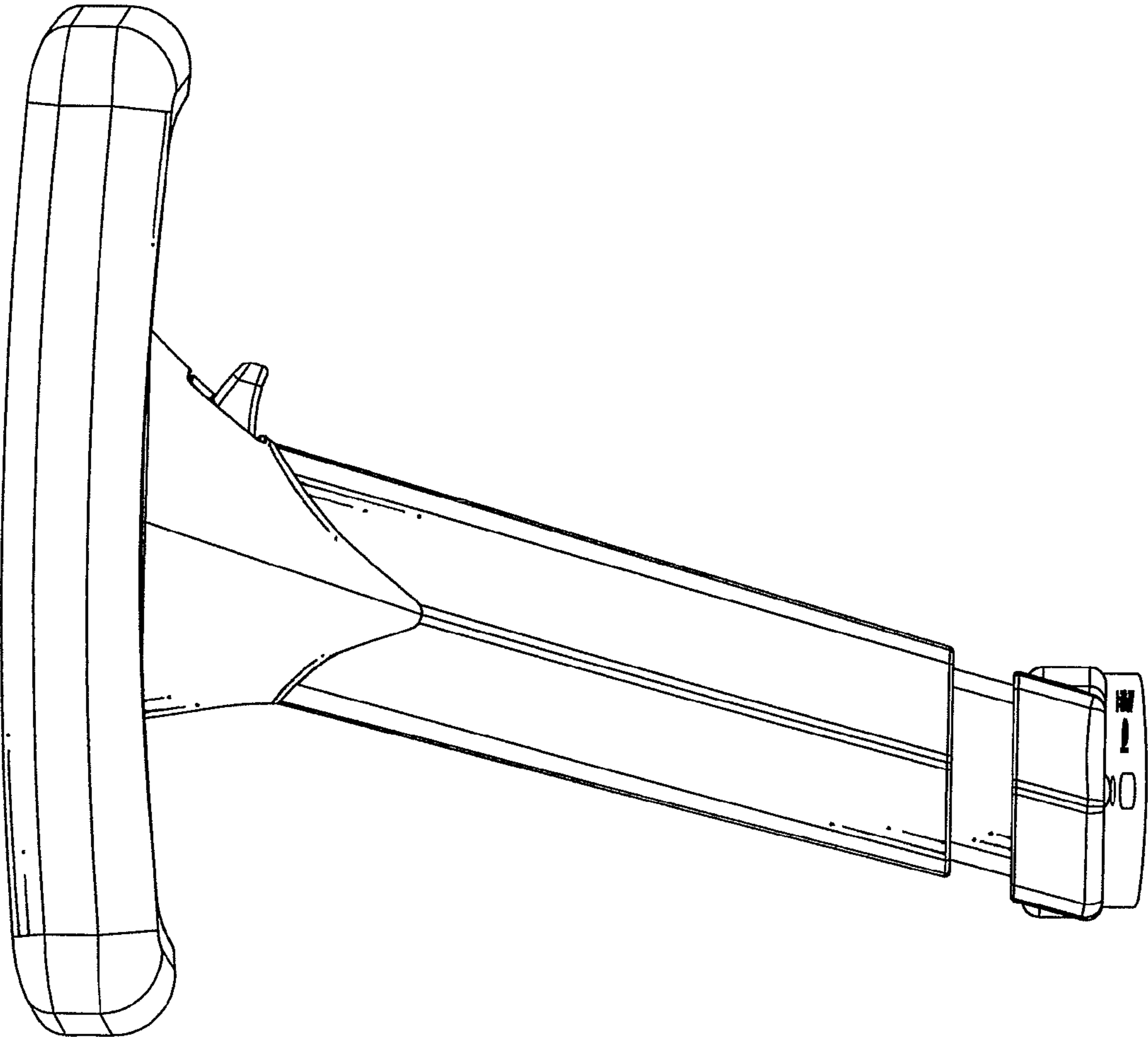




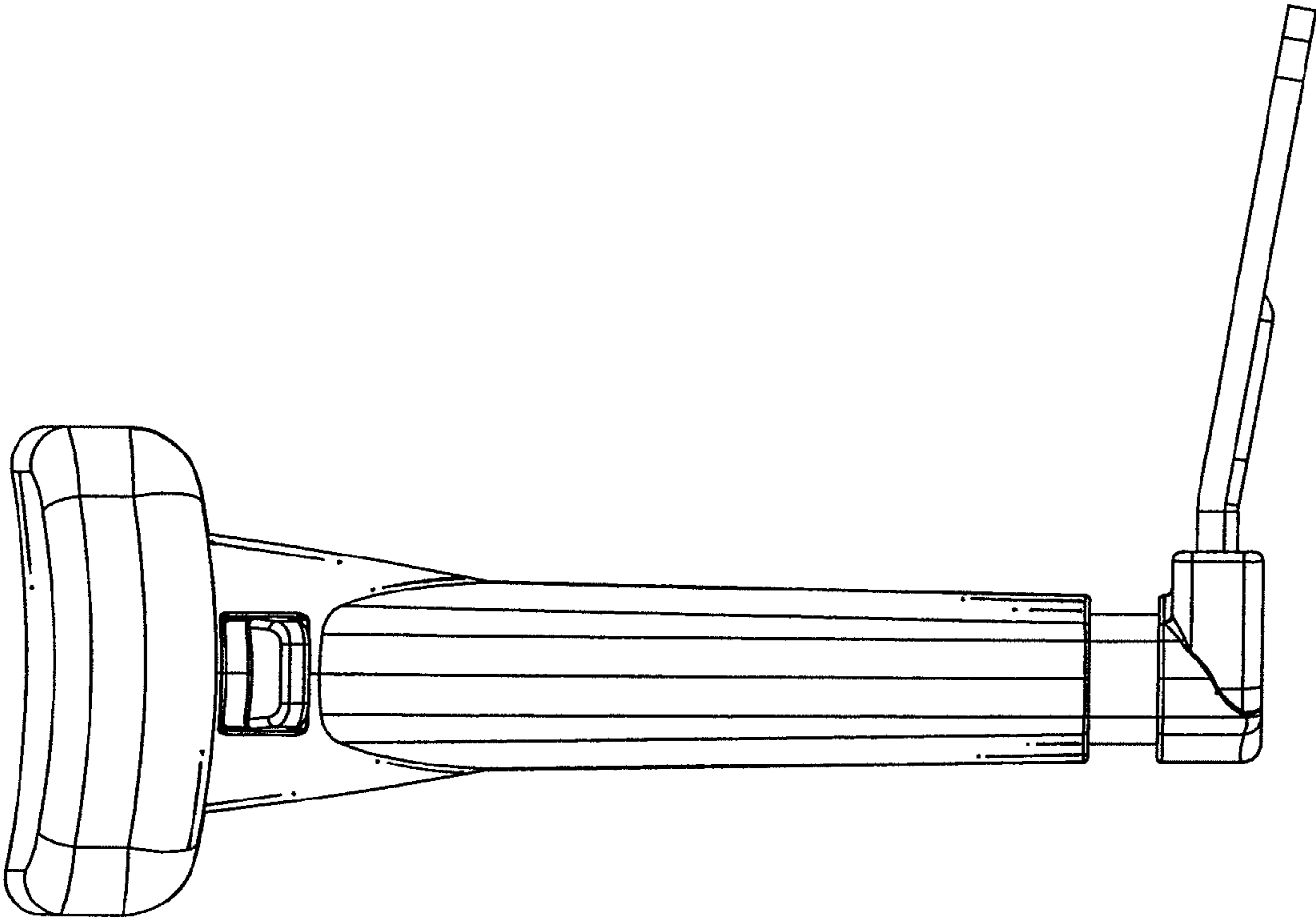
**FIG.1**



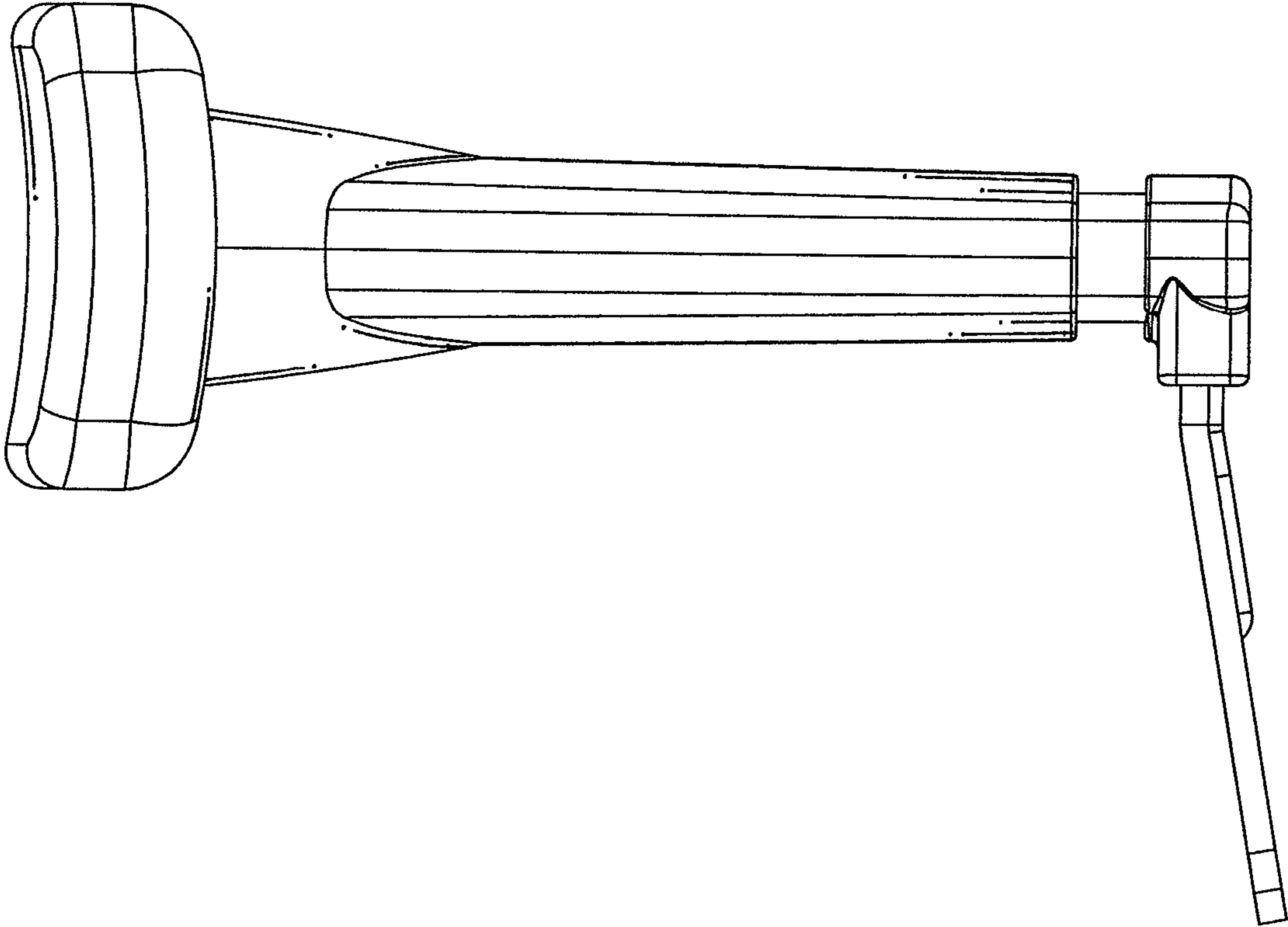
**FIG.2**



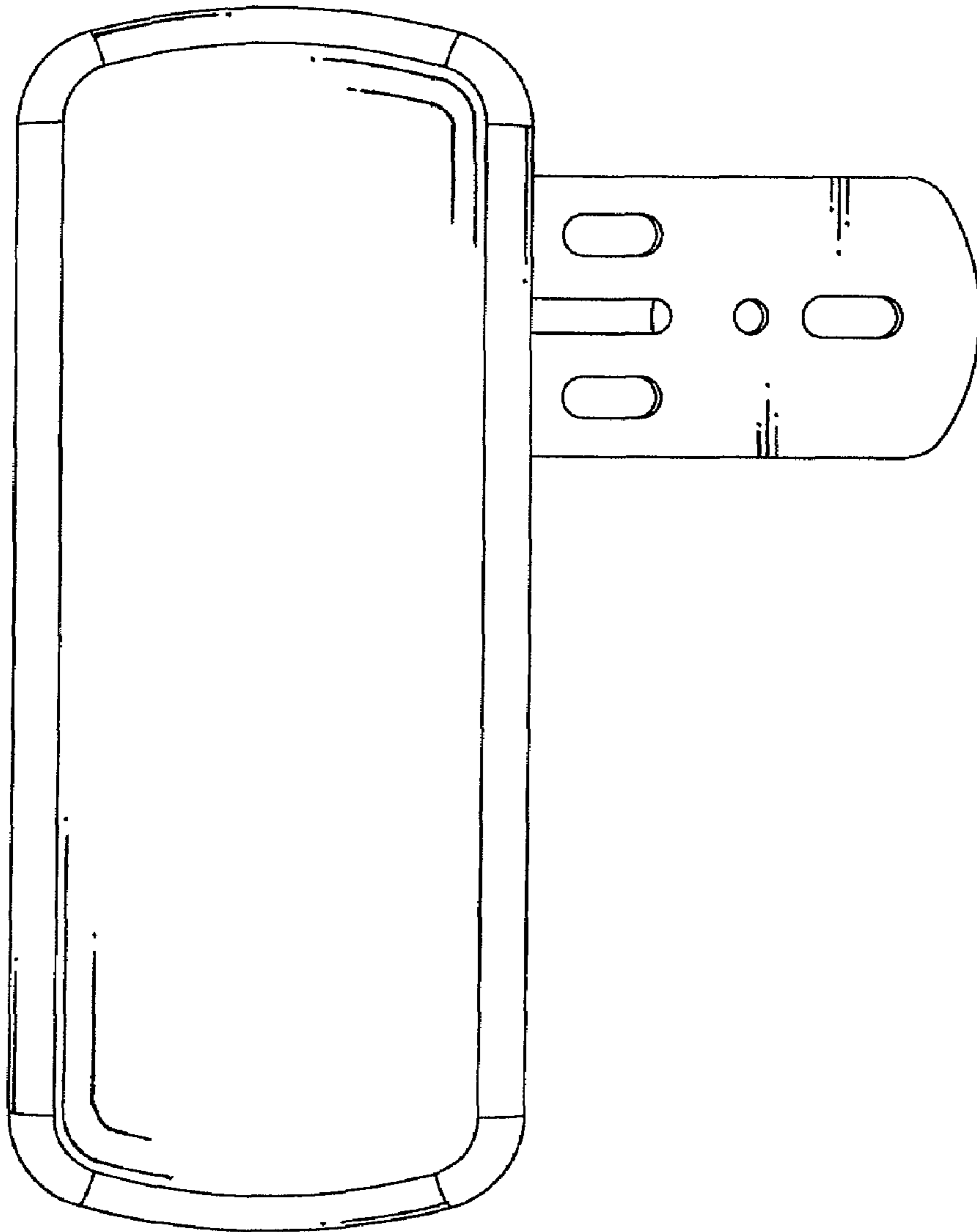
**FIG. 3**



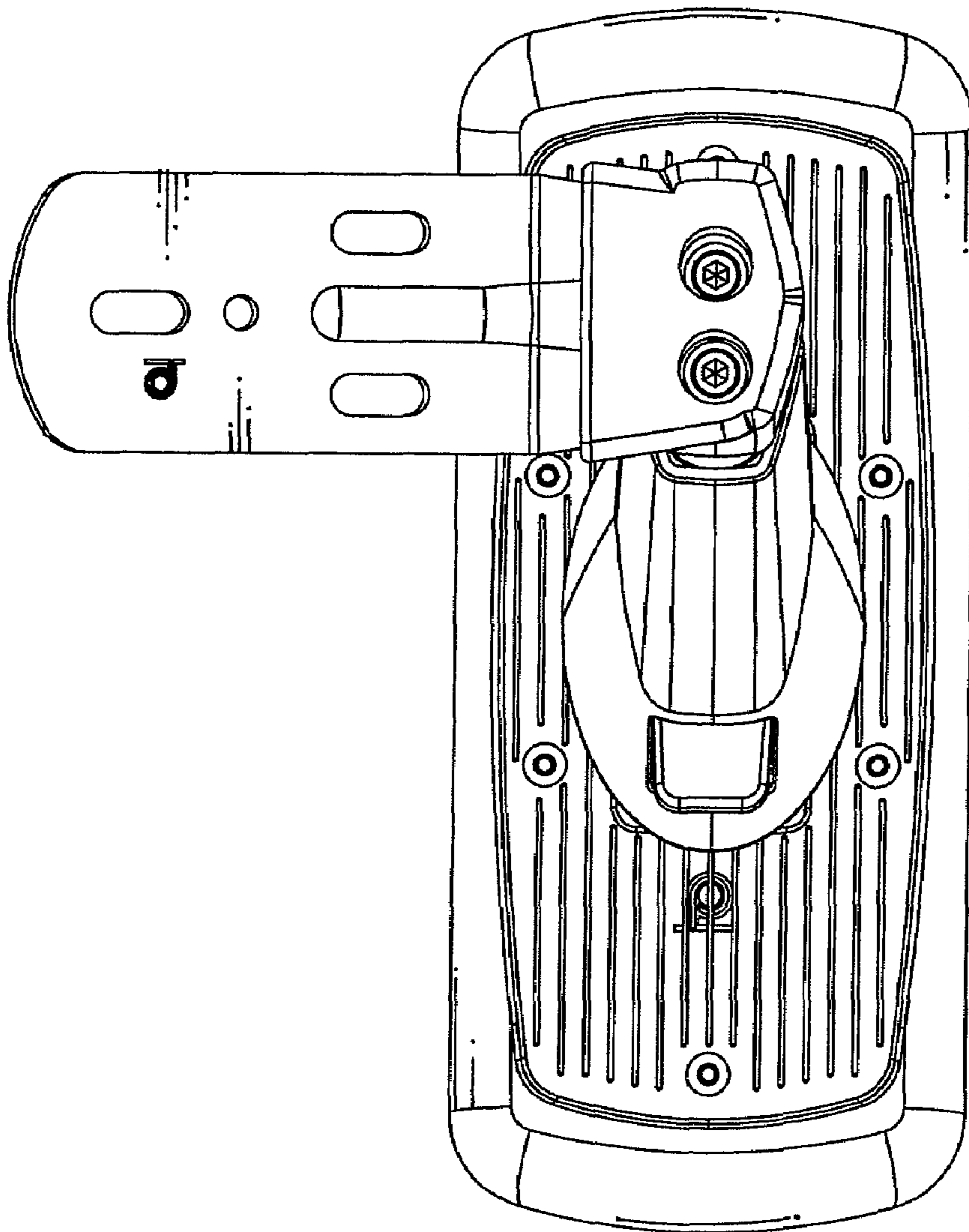
**FIG.4**



**FIG. 5**



**FIG. 6**



**FIG. 7**