



US00D606344S

(12) **United States Design Patent**
Aruga et al.

(10) **Patent No.:** **US D606,344 S**
(45) **Date of Patent:** **** Dec. 22, 2009**

- (54) **AIRCRAFT SEAT LEG**
- (75) Inventors: **Hiroyasu Aruga**, Nagoya (JP);
Motohiko Kawaguchi, Nagoya (JP);
Etsunori Fujita, Hiroshima-ken (JP)
- (73) Assignees: **Mitsubishi Heavy Industries, Ltd.** (JP);
Mitsubishi Aircraft Corporation (JP);
Delta Kogyo Co., Ltd. (JP)

- 5,224,755 A * 7/1993 Beroth 297/216.1
 - 5,558,401 A * 9/1996 Singla Casasayas 297/232
 - 5,800,013 A * 9/1998 Branham et al. 297/232
 - 6,644,738 B2 * 11/2003 Williamson 297/232
 - 6,776,457 B2 * 8/2004 Muin et al. 297/331
 - 6,793,282 B2 * 9/2004 Plant et al. 297/248
 - D505,796 S * 6/2005 Johnson D6/356
 - 2006/0232117 A1 * 10/2006 Johnson 297/452.18
- * cited by examiner

- (**) Term: **14 Years**
- (21) Appl. No.: **29/330,543**
- (22) Filed: **Jan. 9, 2009**

Primary Examiner—Mimosa De
(74) *Attorney, Agent, or Firm*—Birch, Stewart, Kolasch & Birch LLP

- (30) **Foreign Application Priority Data**
Jul. 10, 2008 (JP) 2008-017744

(57) **CLAIM**

The ornamental design for an aircraft seat leg, as shown and described.

- (51) **LOC (9) Cl.** **06-01**
- (52) **U.S. Cl.** **D6/501; D6/356**
- (58) **Field of Classification Search** D6/334-336,
D6/356, 367, 368, 371-373, 374, 375, 376,
D6/379, 381, 500-502; 297/216.1, 216.2,
297/232, 233, 248, 331, 335, 344.1, 353,
297/354.1, 452.18; 244/122 R
See application file for complete search history.

DESCRIPTION

- FIG. 1 is a perspective view from the front side of an aircraft seat leg.
- FIG. 2 is a perspective view from the rear side thereof.
- FIG. 3 is a front elevation view thereof.
- FIG. 4 is a rear elevation view thereof.
- FIG. 5 is a top plan view thereof.
- FIG. 6 is a bottom plan view thereof.
- FIG. 7 is a left side elevation view thereof; and,
- FIG. 8 is a right side elevation view thereof.

The broken lines shown in drawings are for the purpose of showing background structure only and form no part of the claimed design.

- (56) **References Cited**
U.S. PATENT DOCUMENTS
D250,071 S * 10/1978 Dickerson D6/356
D267,372 S * 12/1982 Long et al. D6/356
4,440,441 A * 4/1984 Marrujo et al. 297/216.2
D281,471 S * 11/1985 Sauter D6/356
D336,379 S * 6/1993 Veneruso D6/356

1 Claim, 8 Drawing Sheets

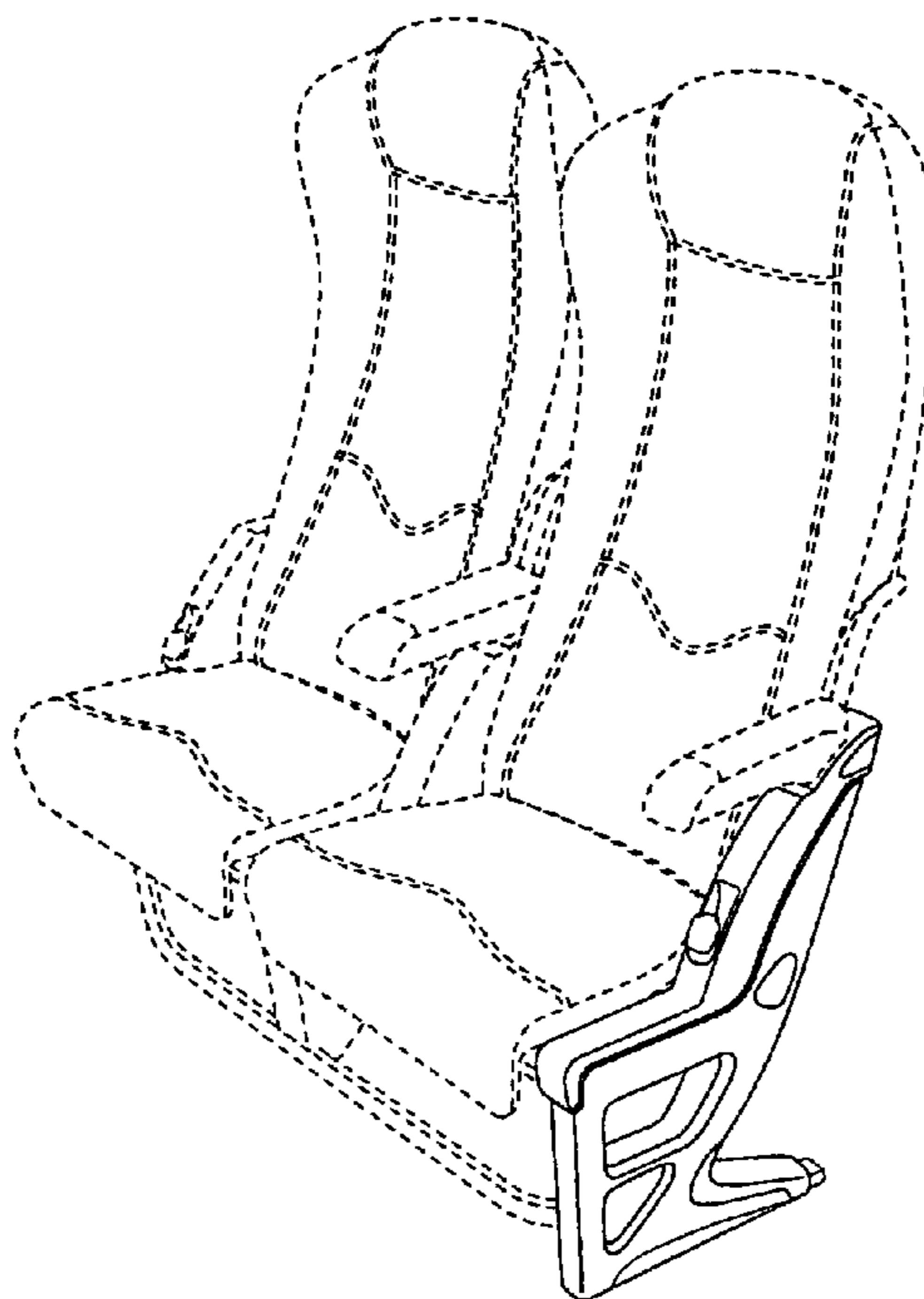


FIG. 1

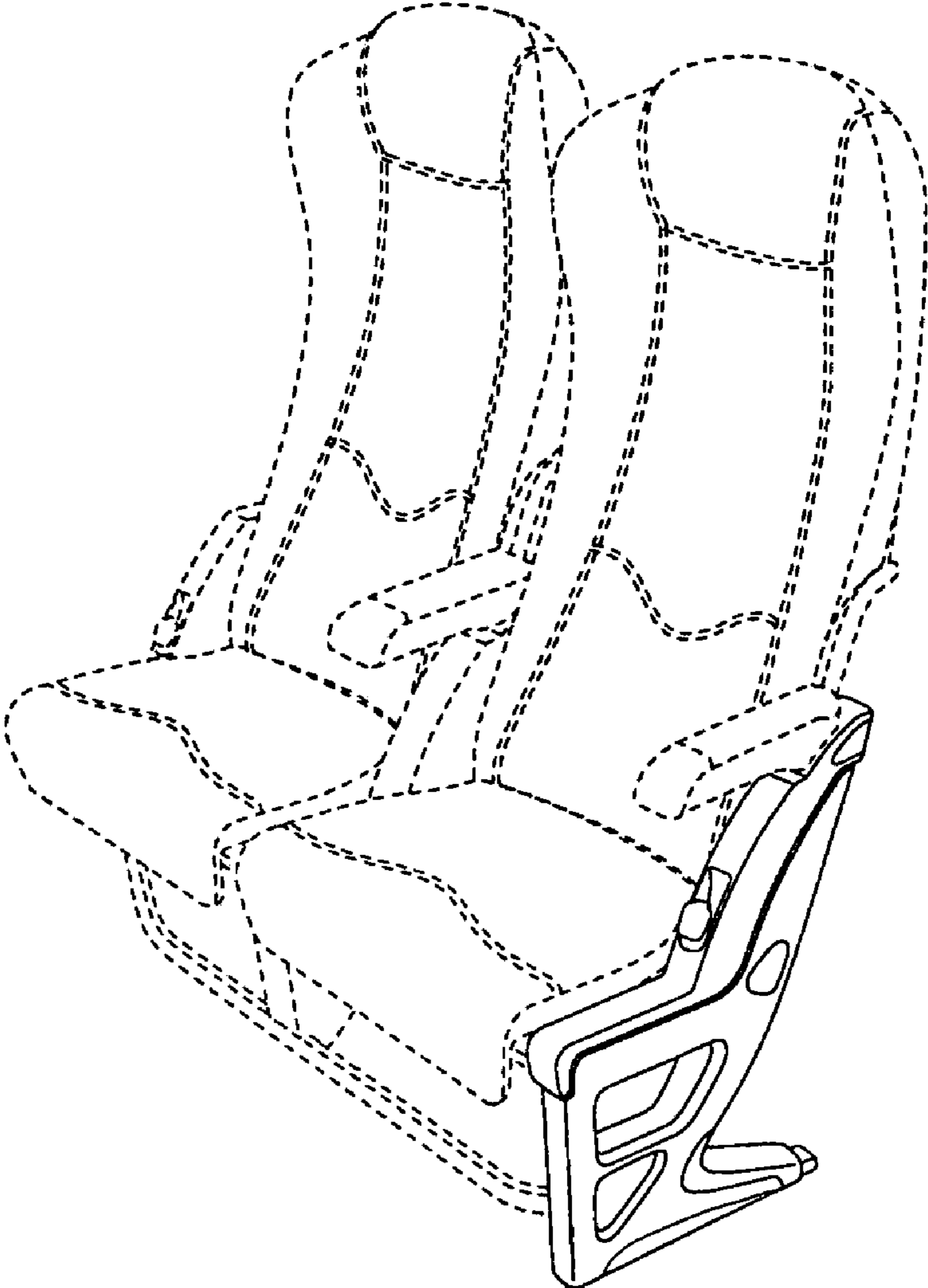


FIG. 2

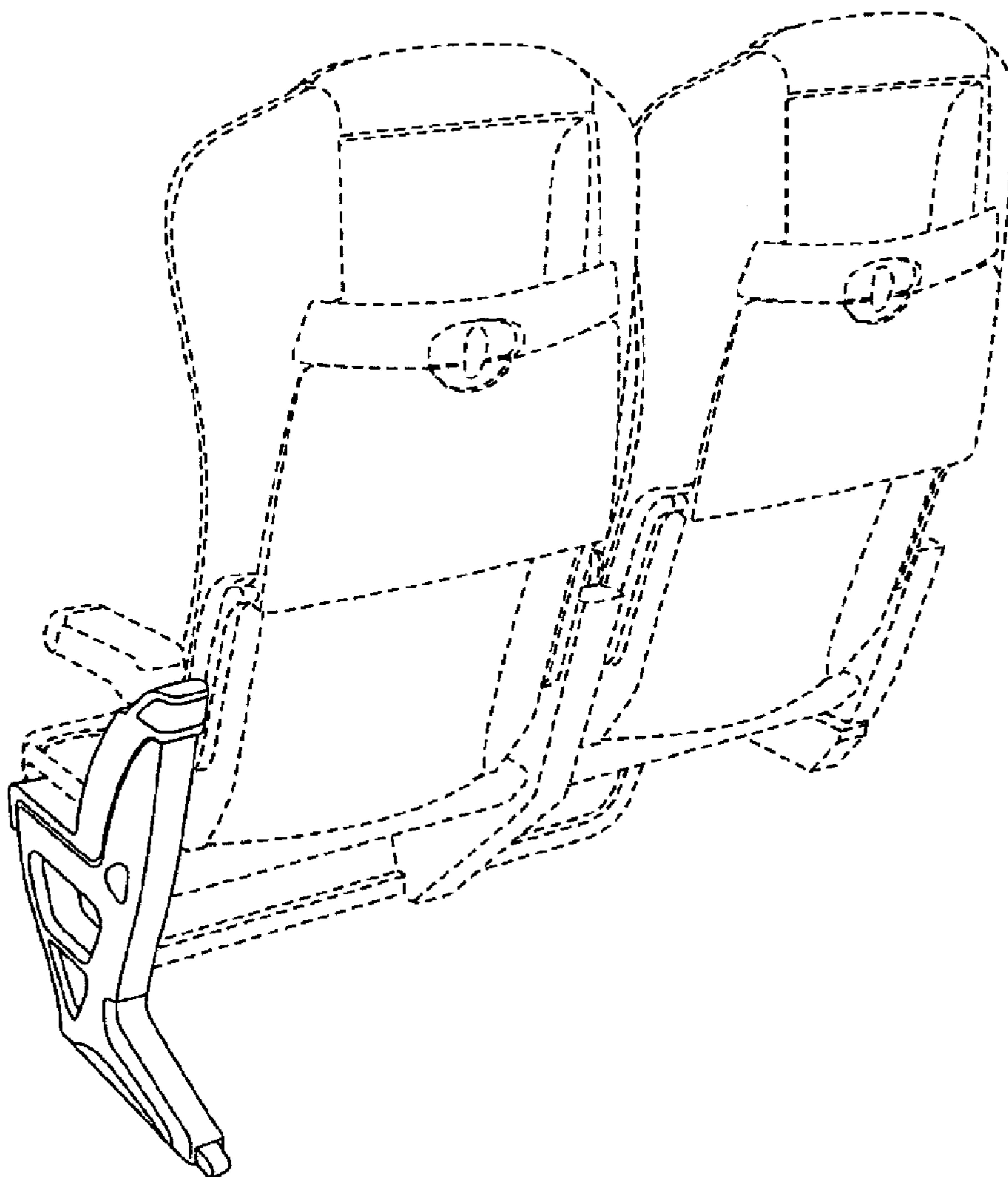


FIG. 3

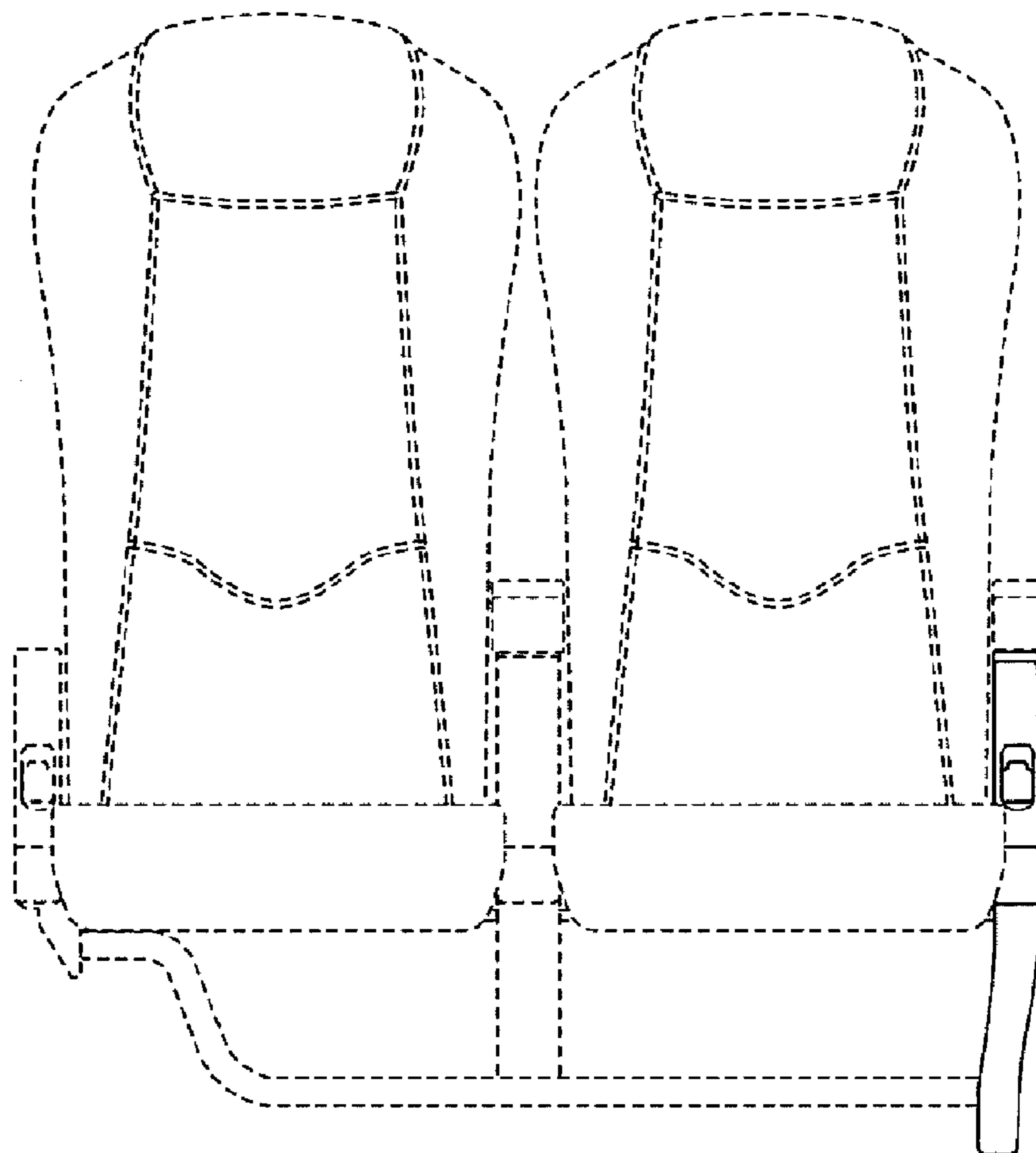


FIG. 4

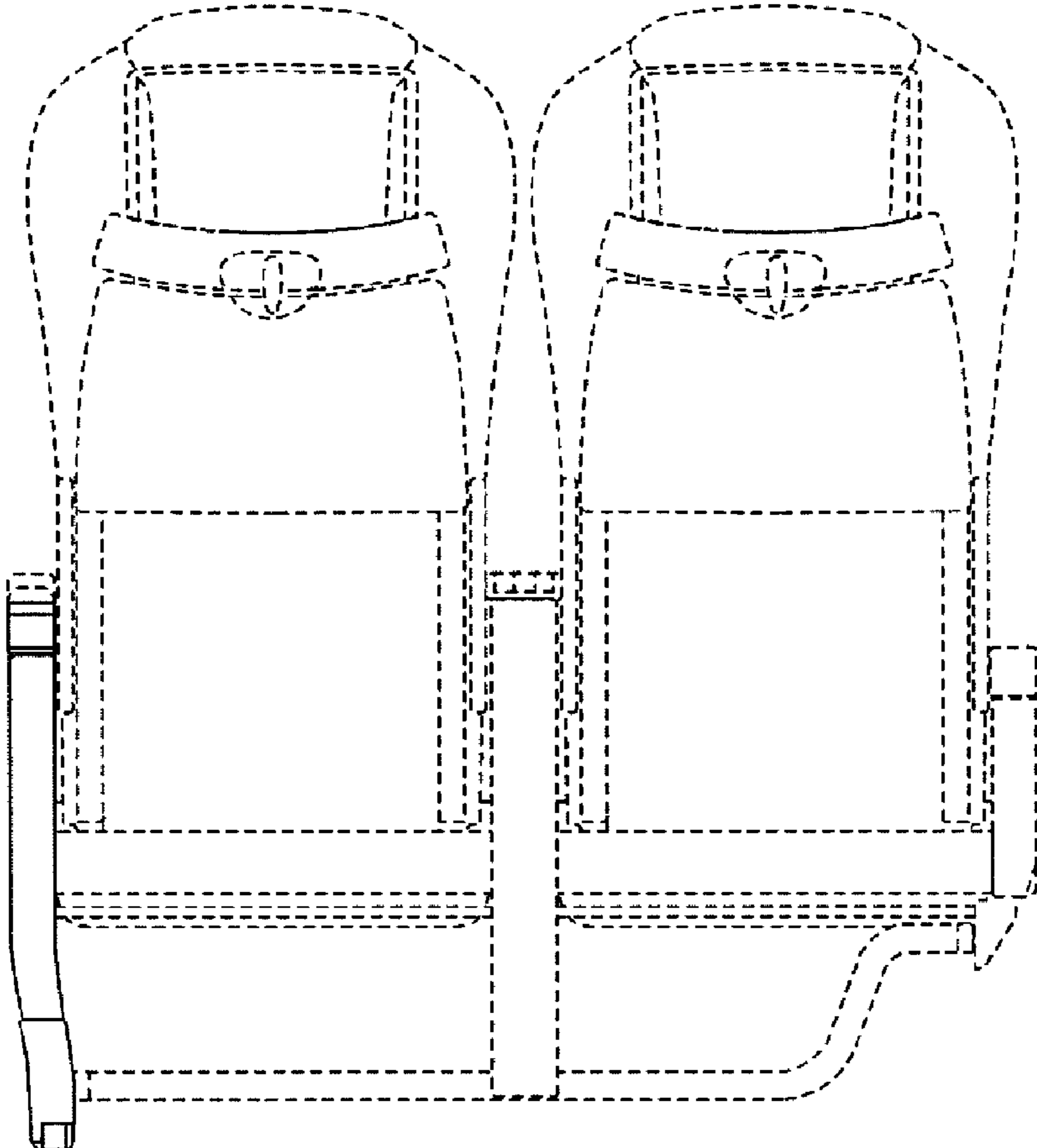


FIG. 5

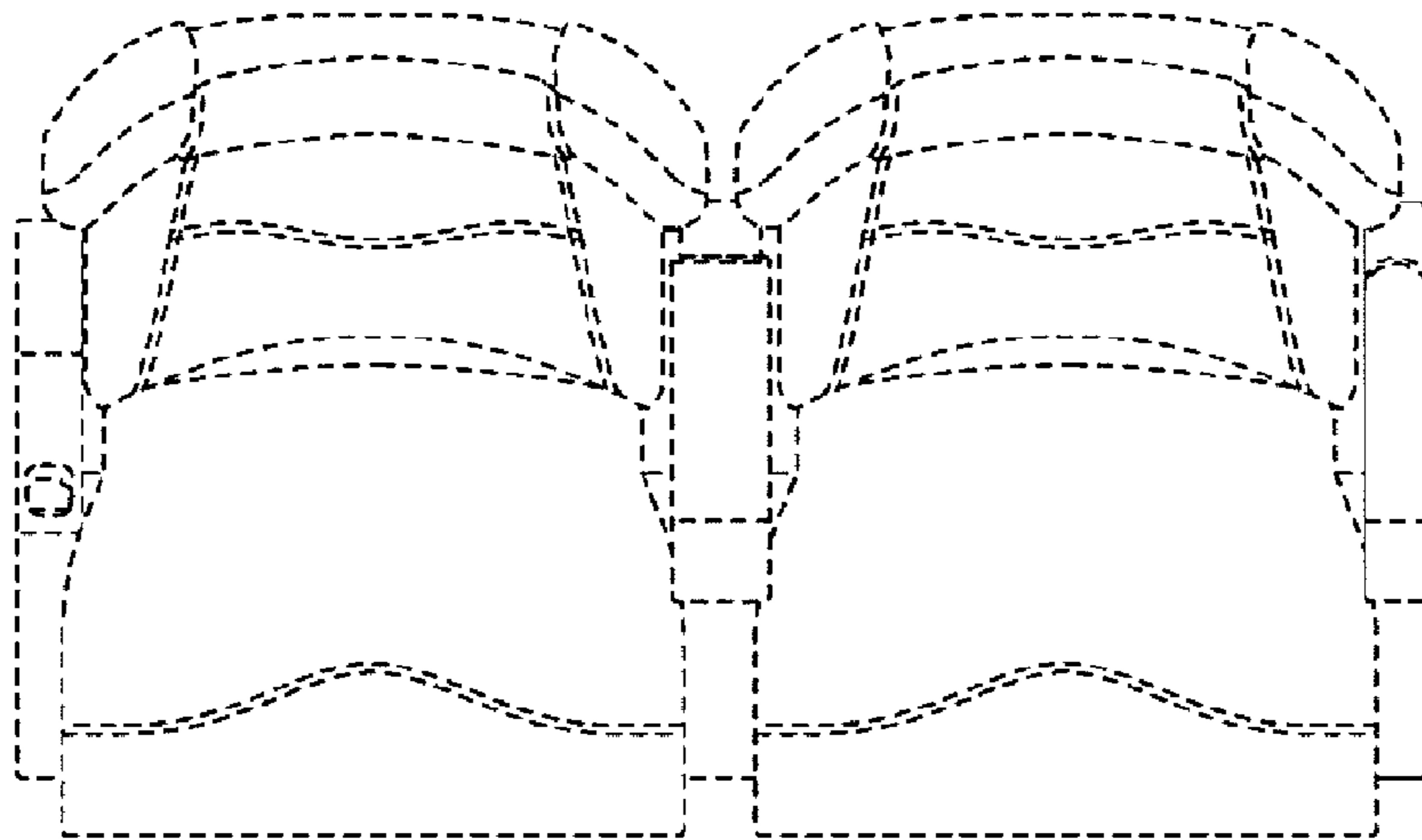


FIG. 6

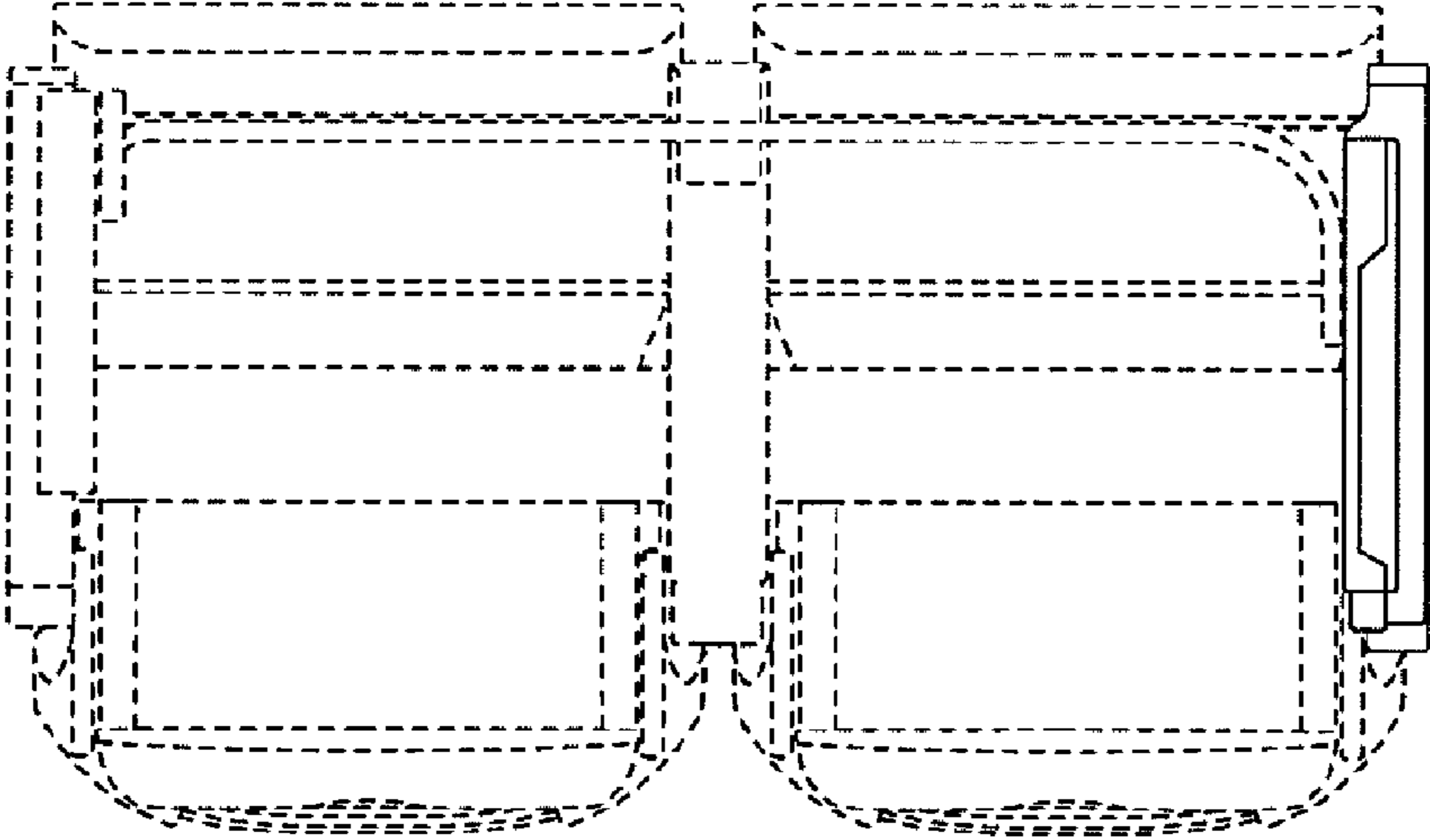


FIG. 7

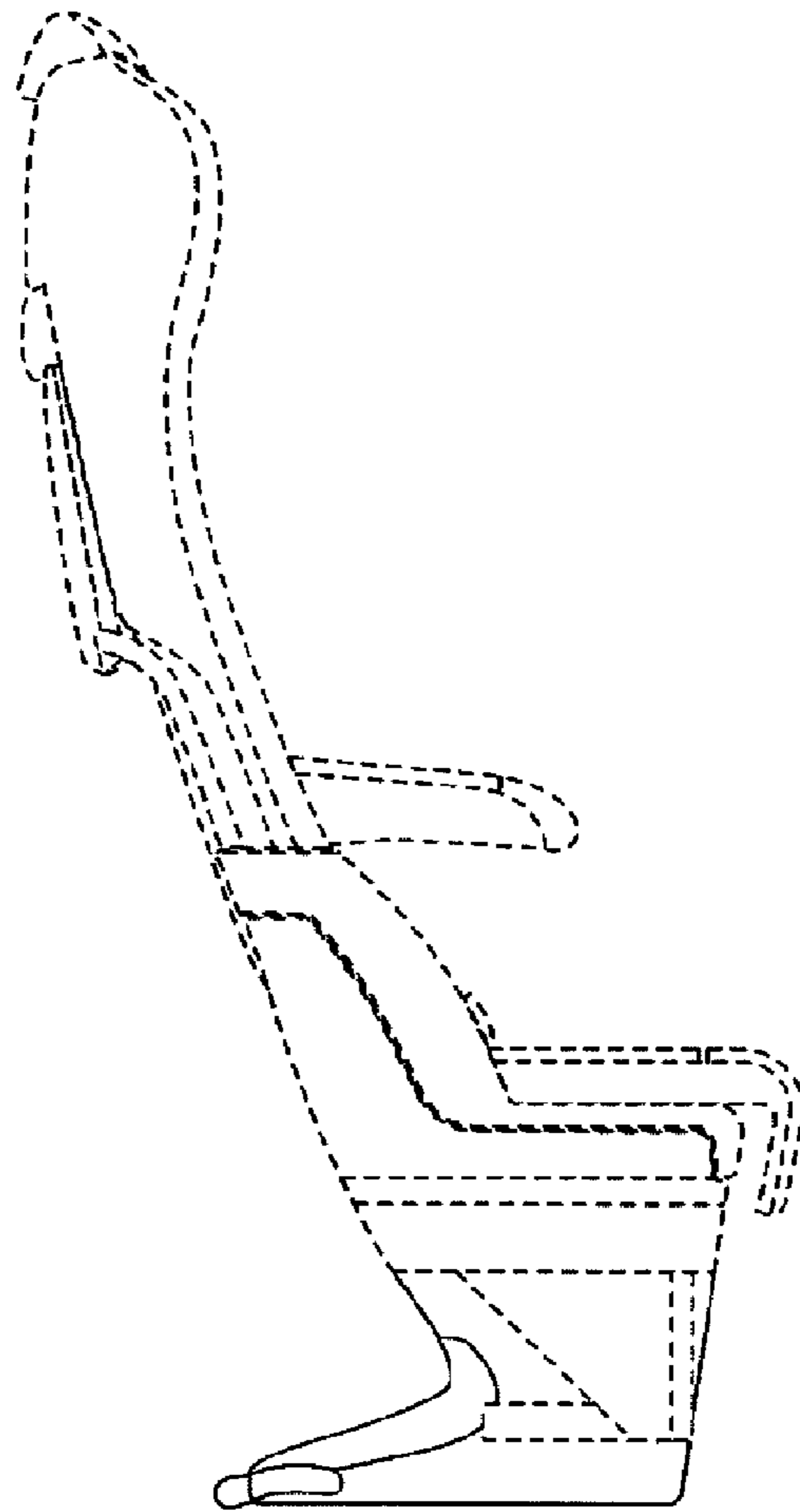


FIG. 8

