

US00D606343S

(12) **United States Design Patent**  
**Muller**

(10) **Patent No.:** **US D606,343 S**  
(45) **Date of Patent:** **\*\* Dec. 22, 2009**

(54) **SEAT FRAME**

(75) Inventor: **Carl A. Muller**, Huntington Beach, CA (US)

(73) Assignee: **Elite Manufacturing Corporation**, Santa Fe Springs, CA (US)

(\*\*) Term: **14 Years**

(21) Appl. No.: **29/341,336**

(22) Filed: **Aug. 4, 2009**

(51) **LOC (9) Cl.** ..... **06-01**

(52) **U.S. Cl.** ..... **D6/500; D6/360; D6/375**

(58) **Field of Classification Search** ..... D6/334–336, D6/356, 360, 361, 364, 365, 366, 367, 375, D6/379, 380, 498, 500–502; 297/344.12, 297/411.41, 411.44, 423.25, 445.1, 452.12, 297/452.19, 451.4, 451.5, 452.2, 461

See application file for complete search history.

(56) **References Cited**

**U.S. PATENT DOCUMENTS**

D197,964 S	*	4/1964	Rhoades	.....	D6/375
D230,668 S	*	3/1974	Johnson	.....	D6/360
D256,299 S	*	8/1980	MacCready	.....	D6/356
D365,694 S	*	1/1996	Liisberg	.....	D6/360
D365,935 S	*	1/1996	Dallas	.....	D6/336
D449,456 S		10/2001	Muller	.....	D6/360
D468,918 S	*	1/2003	de Blois	.....	D6/360
D487,982 S	*	4/2004	Lee	.....	D6/360
D489,911 S		5/2004	Muller	.....	D6/360
D498,937 S	*	11/2004	Messier et al.	.....	D6/375
D502,330 S	*	3/2005	Petrucelli	.....	D6/367
D531,423 S	*	11/2006	Whiteside et al.	.....	D6/367
D535,134 S		1/2007	Muller	.....	D6/503
D547,957 S		8/2007	Muller	.....	D6/360
D573,379 S		7/2008	Muller	.....	D6/502

**OTHER PUBLICATIONS**

Baxton Studio—Alona Low-back Leather Adjustable Barstool, available from Concept Furniture, Brooklyn, New York, printout

available online on Aug. 11, 2009, at [http://www.777furniture.com/index.php?main\\_page=product\\_info&cPath=1&products\\_id=160&zenid=b379b7b2b29e655ce87d56390cbe4361](http://www.777furniture.com/index.php?main_page=product_info&cPath=1&products_id=160&zenid=b379b7b2b29e655ce87d56390cbe4361), 3-pages.

Contemporary Bent Wood Lift Barstool, available from Barstools & Barstools, printout available online on Aug. 11, 2009, at <http://www.bar-stools-barstools.com/scripts/prodView.asp?idProduct=2568>, 2-pages.

LEM Bar Stool by La Palma, available from Leigh Harmer, United Kingdom, printout available online on Aug. 11, 2009, at <http://www.leighharmer.co.uk/pdf/index.asp?pid=35>, 1-page.

LEM Piston Stool, designed by Shin and Tomoko Azumi, available from Design Within Reach, printout available online on Aug. 11, 2009, at <http://www.dwr.com/product/lem-piston-stool-leather-seat.do>, 1-page.

Dafne Barstool, designer Giovanni Cigana, available from Rover Plus Srl, Italy, printout available online on Aug. 11, 2009, at [http://www.promosedia.it/sedia\\_anno\\_cont\\_en.html](http://www.promosedia.it/sedia_anno_cont_en.html), 1-page, 2005.

Ultra-Modern Barstool with Acrylic Seat, available from ComCore 21, printout available online on Aug. 11, 2009, at <http://www.comcore21.com/clear-stoolseat-modern-lift.htm>, 2-pages.

\* cited by examiner

*Primary Examiner*—Mimosa De

(74) *Attorney, Agent, or Firm*—Heslin Rothenberg Farley & Mesiti P.C.

(57) **CLAIM**

The ornamental design for a seat frame, as shown and described.

**DESCRIPTION**

FIG. 1 is an isometric view of a seat frame in accordance with the new design;

FIG. 2 is a front elevational view thereof,

FIG. 3 is a rear elevational view thereof;

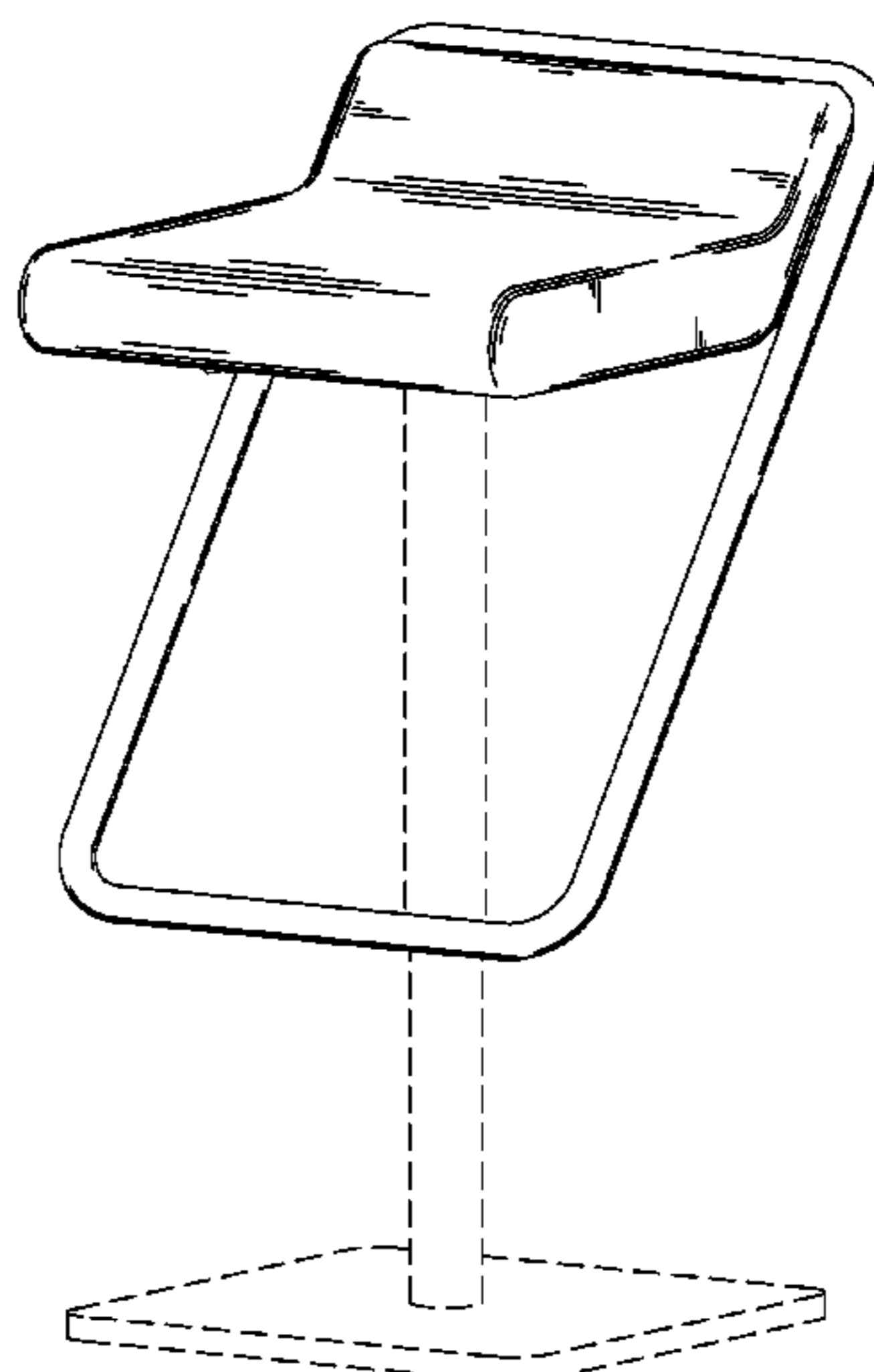
FIG. 4 is a right side elevational view thereof;

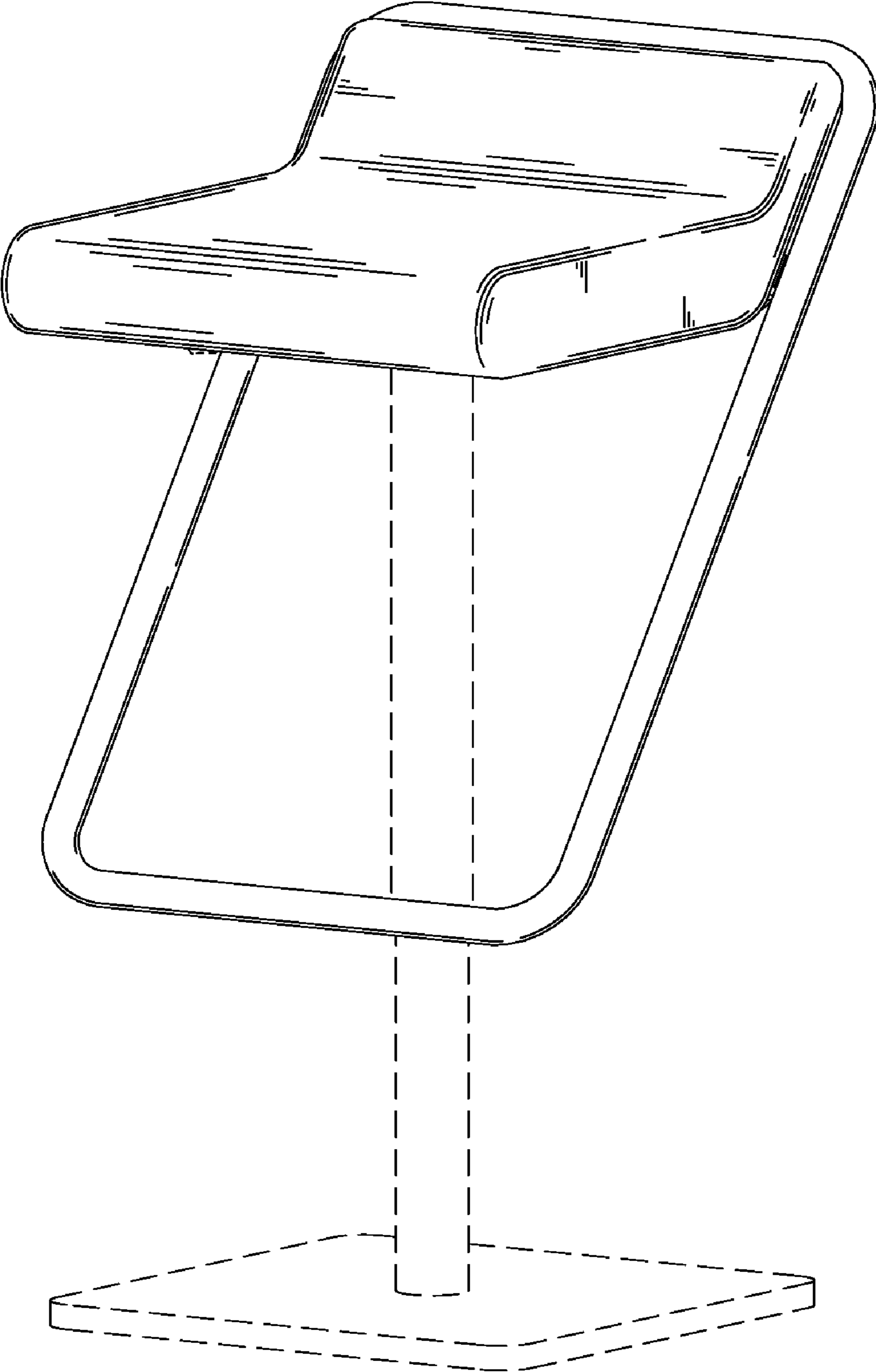
FIG. 5 is a left side elevational view thereof; and,

FIG. 6 is a top view thereof.

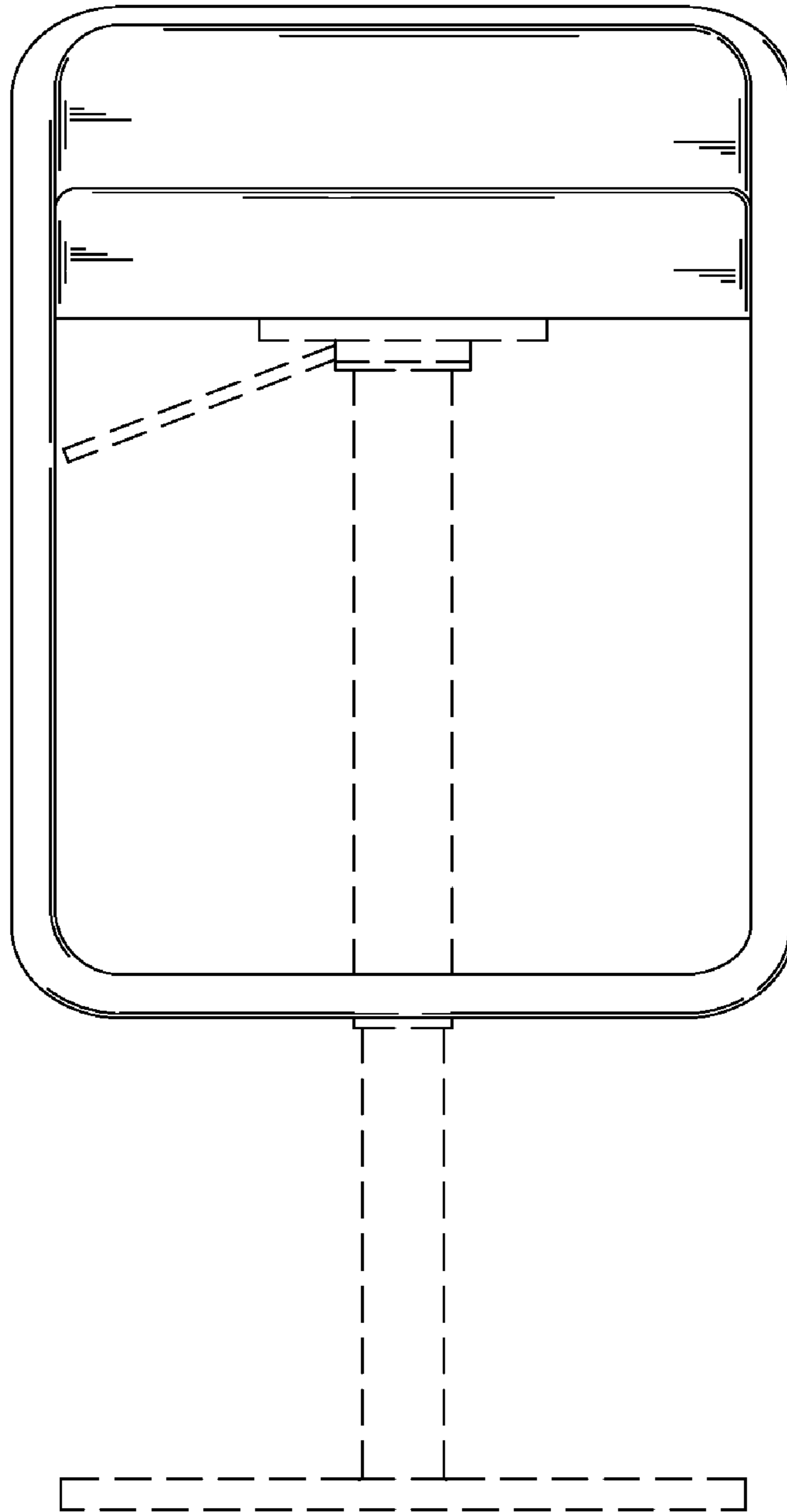
The broken lines in the figures are for illustrative purposes only and form no part of the claimed design.

**1 Claim, 6 Drawing Sheets**

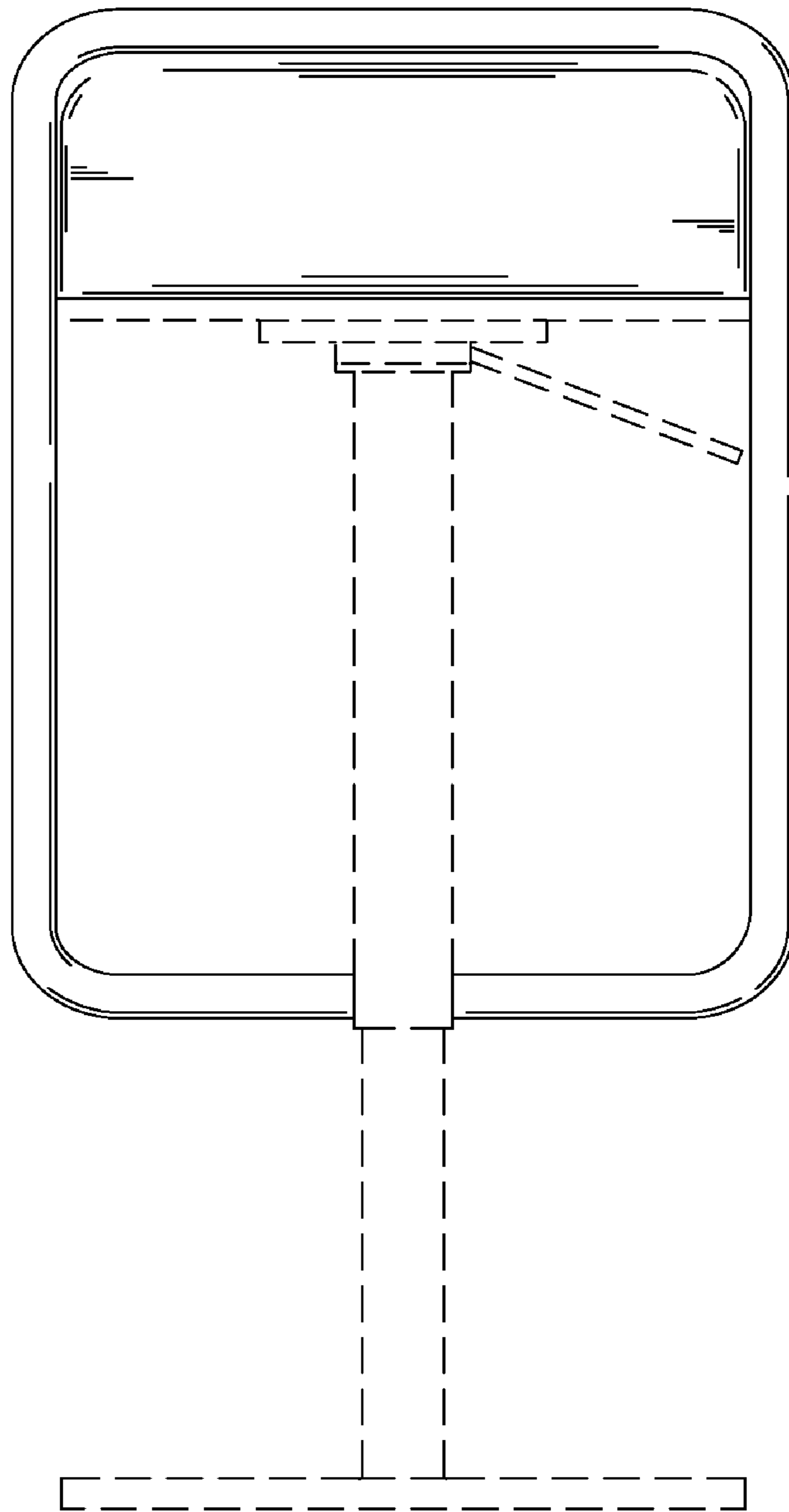




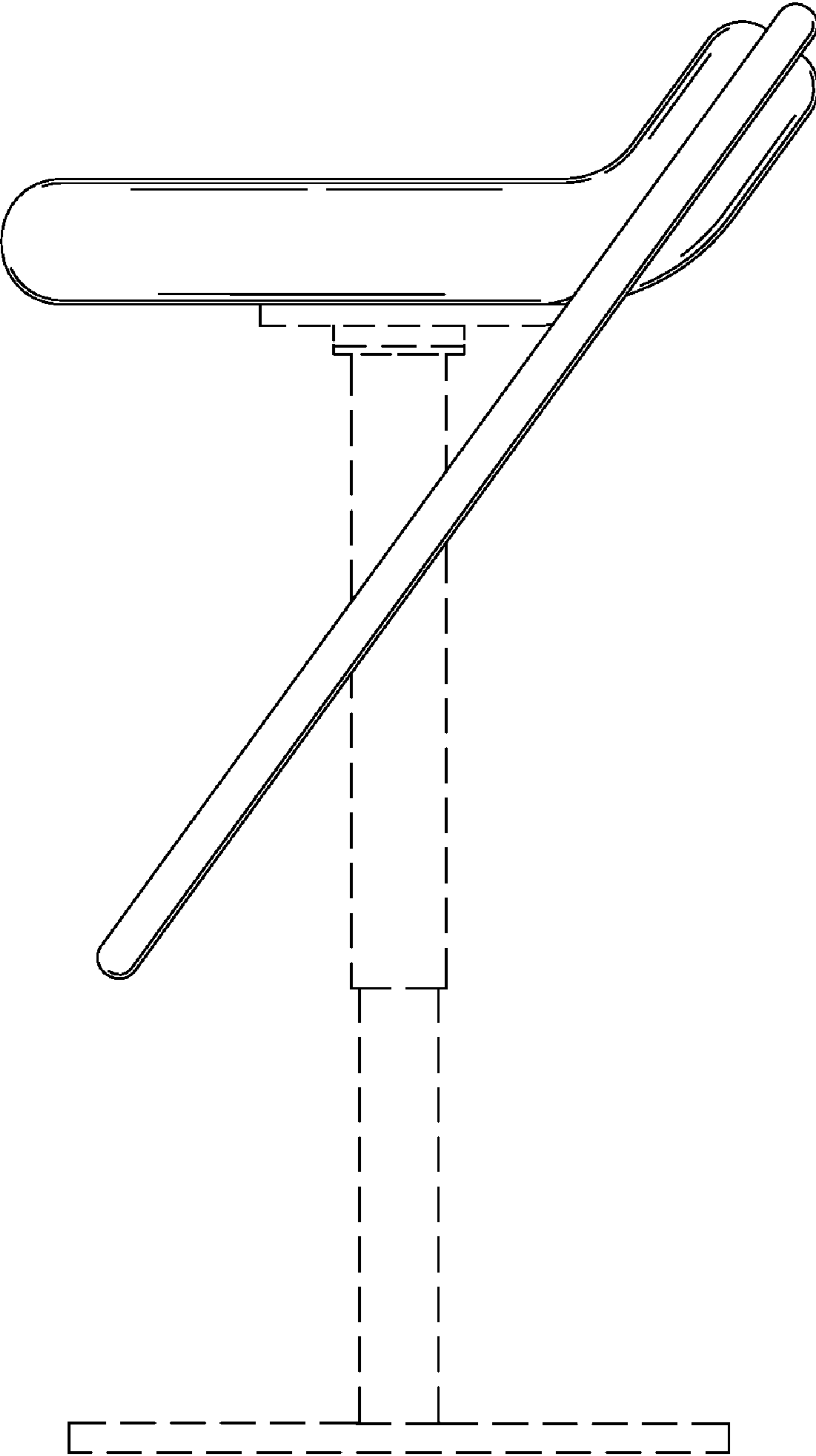
**FIG. 1**



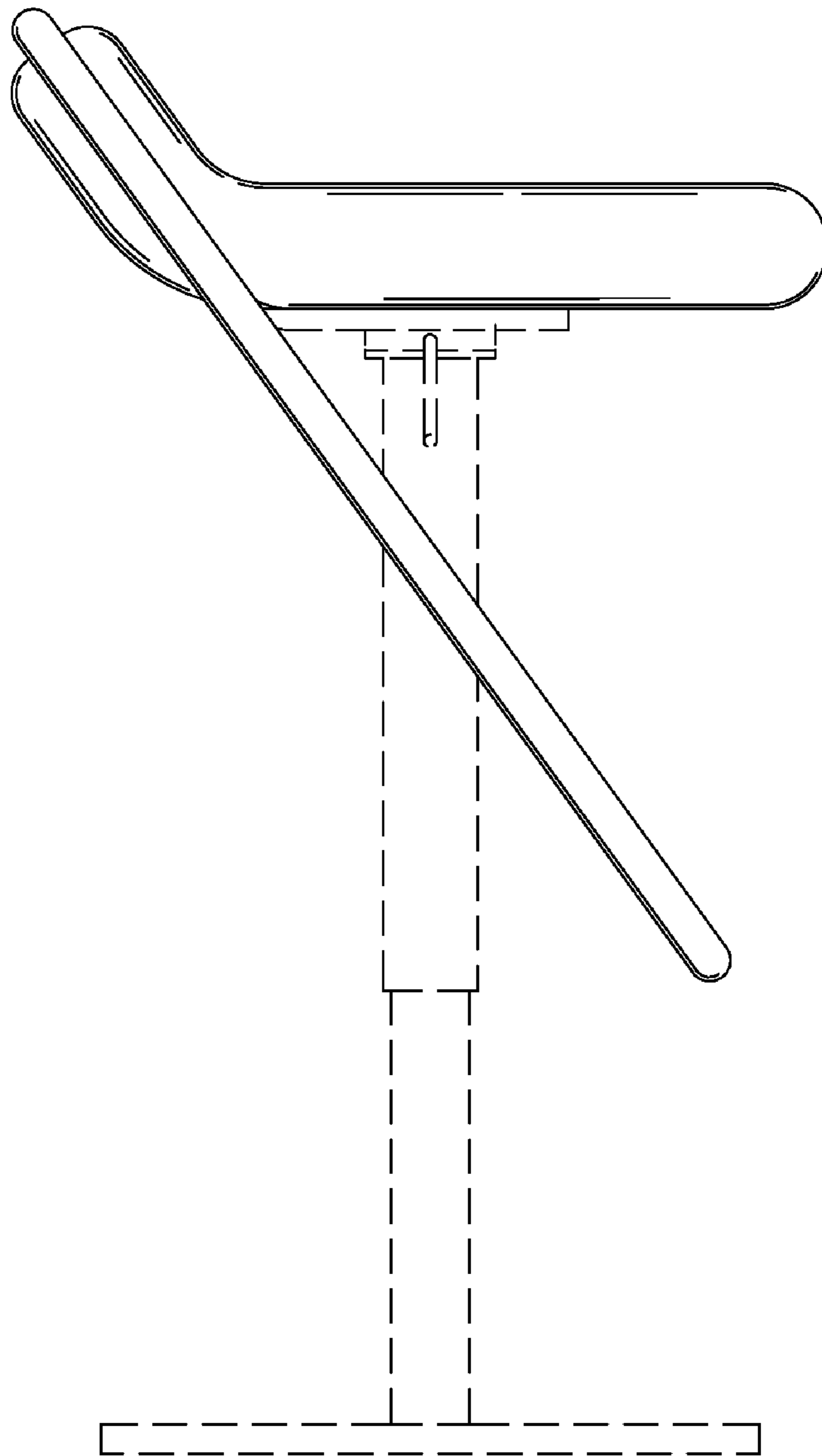
**FIG. 2**



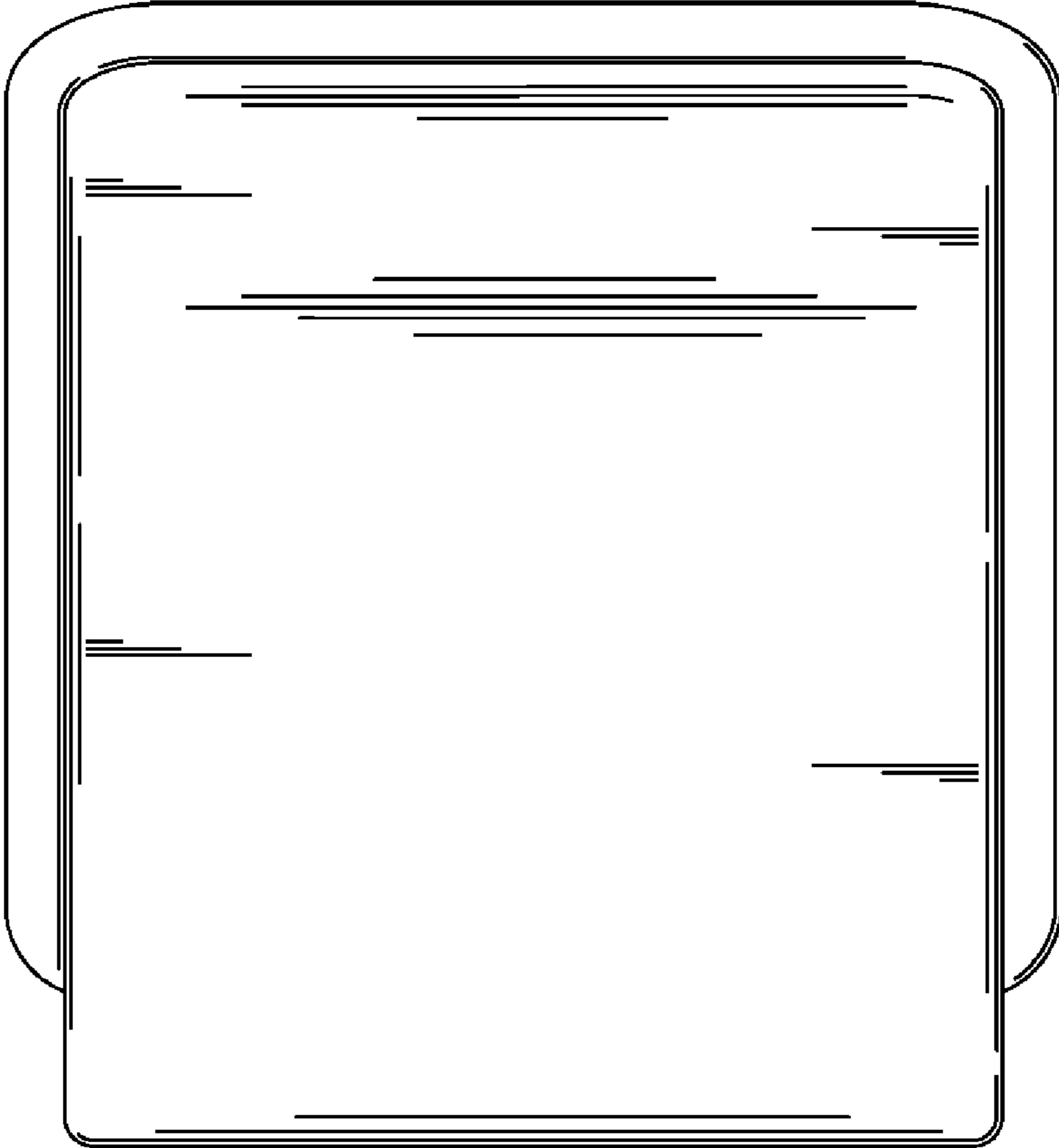
**FIG. 3**



**FIG. 4**



**FIG. 5**



***FIG. 6***