



US00D606342S

(12) **United States Design Patent**
Petrucelli

(10) **Patent No.:** **US D606,342 S**
(45) **Date of Patent:** **** Dec. 22, 2009**

(54) **BASE FOR PODO THERAPY SPA SYSTEM**

(75) Inventor: **Giulio Petrucelli**, Flushing, NY (US)

(73) Assignee: **P.S. Pibbs, Inc.**, Flushing, NY (US)

(**) Term: **14 Years**

(21) Appl. No.: **29/294,397**

(22) Filed: **Jan. 9, 2008**

(51) **LOC (9) Cl.** **06-01**

(52) **U.S. Cl.** **D6/500**

(58) **Field of Classification Search** D6/334–338,
D6/349, 355, 361, 368–370, 376, 379–381,
D6/492, 500–502; 297/16.1, 42, 94, 135,
297/175, 232, 233, 350, 351, 445.1, 448.1,
297/448.2, 451.9; 5/12.1, 12.2

See application file for complete search history.

(56) **References Cited**

U.S. PATENT DOCUMENTS

D288,729 S *	3/1987	Meyerovich et al.	D28/61
D342,165 S *	12/1993	Marshall et al.	D6/335
D343,916 S *	2/1994	King et al.	D26/35
D412,600 S *	8/1999	Oh et al.	D28/56
D424,819 S *	5/2000	Galati et al.	D6/336
D429,379 S *	8/2000	Kim	D28/56
D435,937 S *	1/2001	Back et al.	D28/61
D454,705 S *	3/2002	Long et al.	D6/336
D455,017 S *	4/2002	Tran	D6/336
D455,566 S *	4/2002	Park	D6/336
D457,018 S *	5/2002	Park	D6/495
D479,919 S *	9/2003	Genelli et al.	D6/336
D498,599 S *	11/2004	Luong	D6/336
D504,783 S *	5/2005	Park	D6/336
D505,021 S *	5/2005	Kim	D6/336
D526,505 S *	8/2006	Gruenwald et al.	D6/381
D541,060 S *	4/2007	Fugate et al.	D6/335
D546,154 S *	7/2007	Fong et al.	D8/68
D549,876 S *	8/2007	Le	D28/56
D549,999 S *	9/2007	Fugate et al.	D6/500
D562,575 S *	2/2008	Le	D6/336

D566,407 S *	4/2008	Gay	D6/336
D568,485 S *	5/2008	Ton	D24/204
D571,565 S *	6/2008	Cheng	D6/336
D571,961 S *	6/2008	Nguyen	D28/56
D576,806 S *	9/2008	Le	D6/336
D576,807 S *	9/2008	Le	D6/336
2006/0242760 A1 *	11/2006	Chao	4/622

* cited by examiner

Primary Examiner—Sandra Snapp

(74) *Attorney, Agent, or Firm*—Anthony J. Casella; Gerald E. Hespos

(57) **CLAIM**

The ornamental design for a base for podotherapy spa system, as shown and described.

DESCRIPTION

FIG. 1 is a perspective view of a base for podotherapy spa system showing my new design in the closed position;

FIG. 2 is a front elevational view of the base for podotherapy spa system of FIG. 1;

FIG. 3 is a top plan view of the base for podotherapy spa system of FIG. 1;

FIG. 4 is a right side elevational view of the base for podotherapy spa system of FIG. 1, with the opposite side being a substantially mirror image of the side shown;

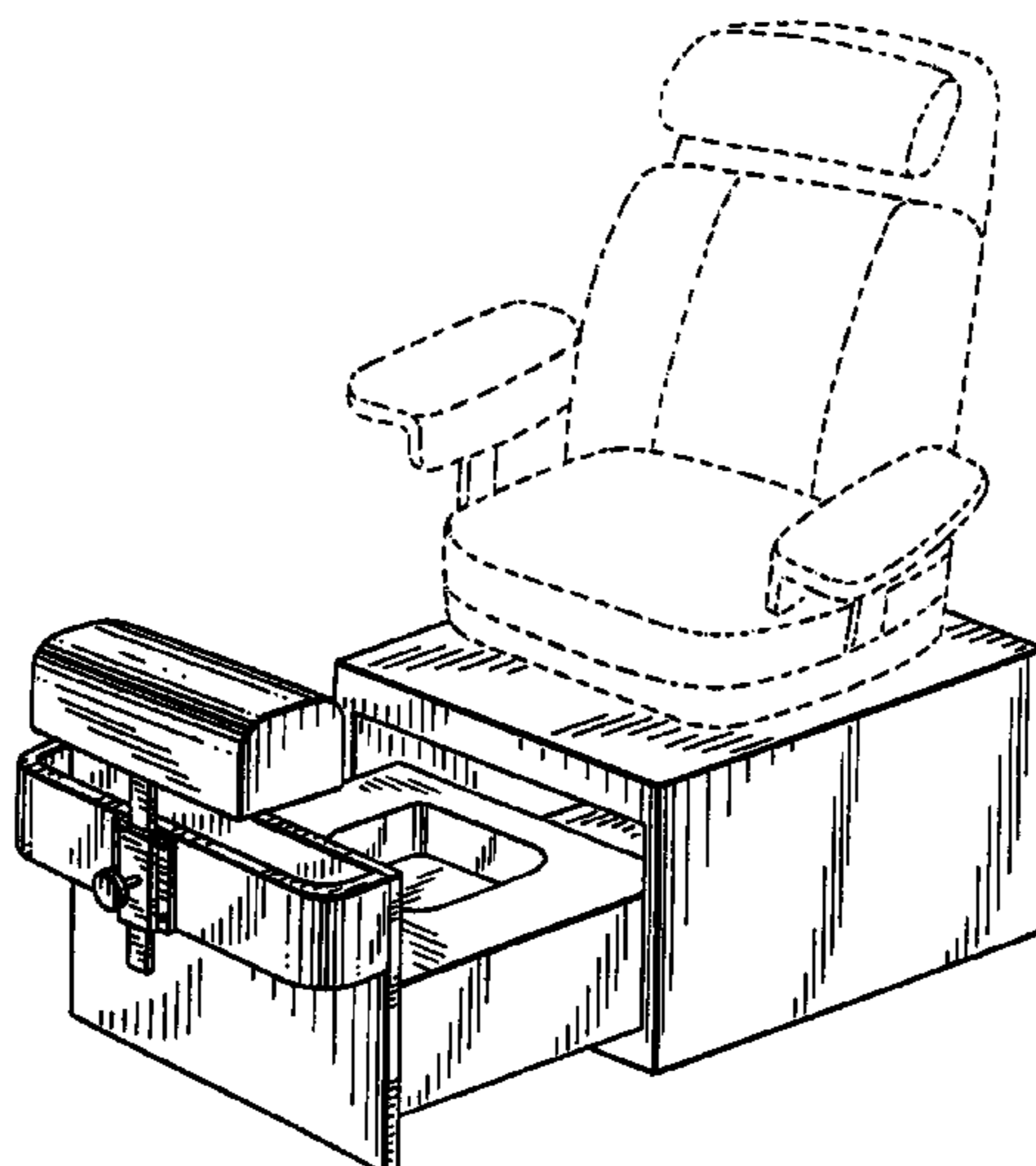
FIG. 5 is a back elevational view of the base for podotherapy spa system of FIG. 1;

FIG. 6 is a bottom plan view of the base for podotherapy spa system of FIG. 1; and,

FIG. 7 is a perspective view of the base for podotherapy spa system showing my new design in the open or extended position.

The broken lines showing the chair mounted on the base for podotherapy spa system of my new design as shown in FIGS. 1–7 are for illustrative purposes only and form no part of the claimed design.

1 Claim, 7 Drawing Sheets



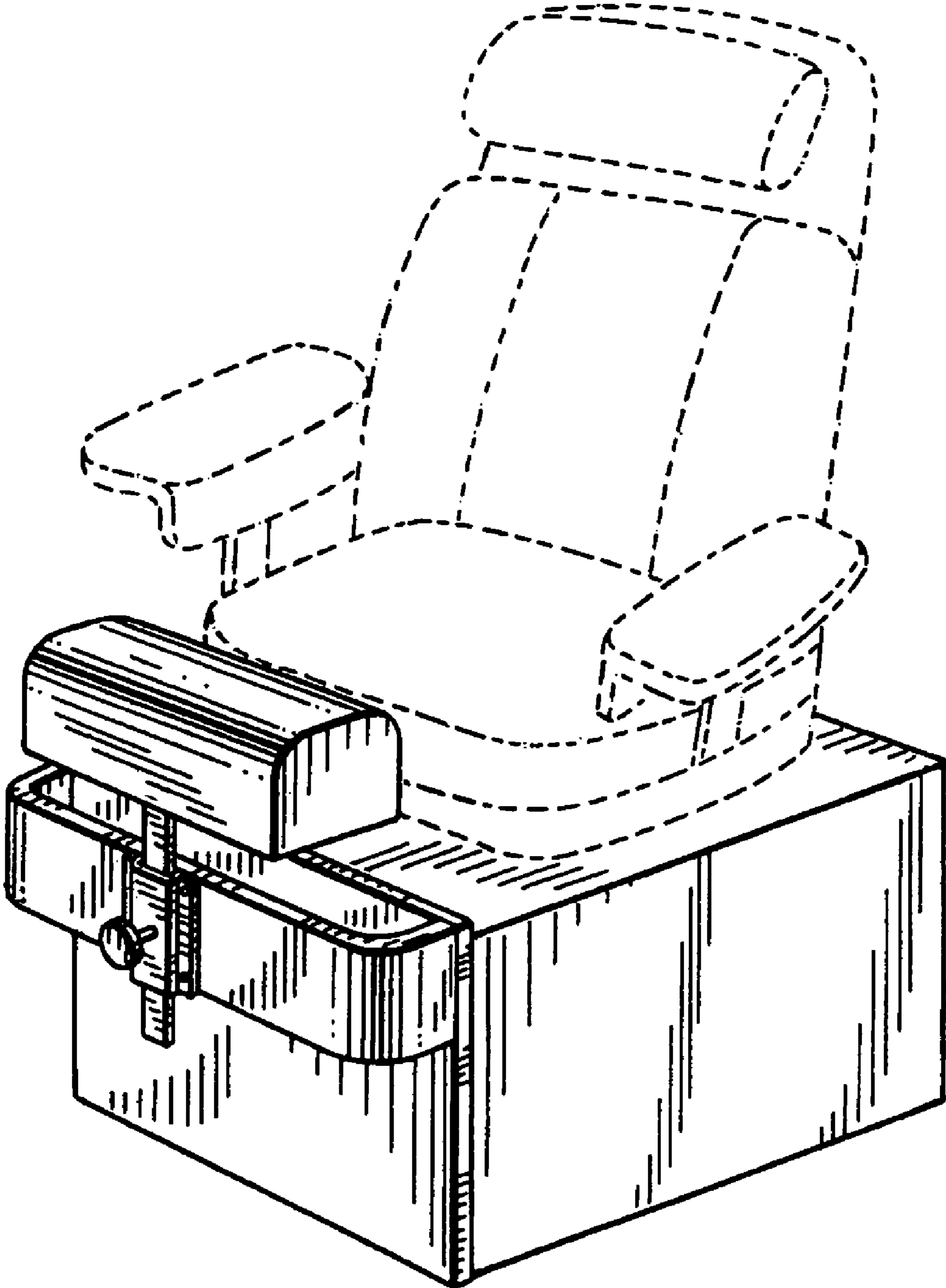


FIG. 1

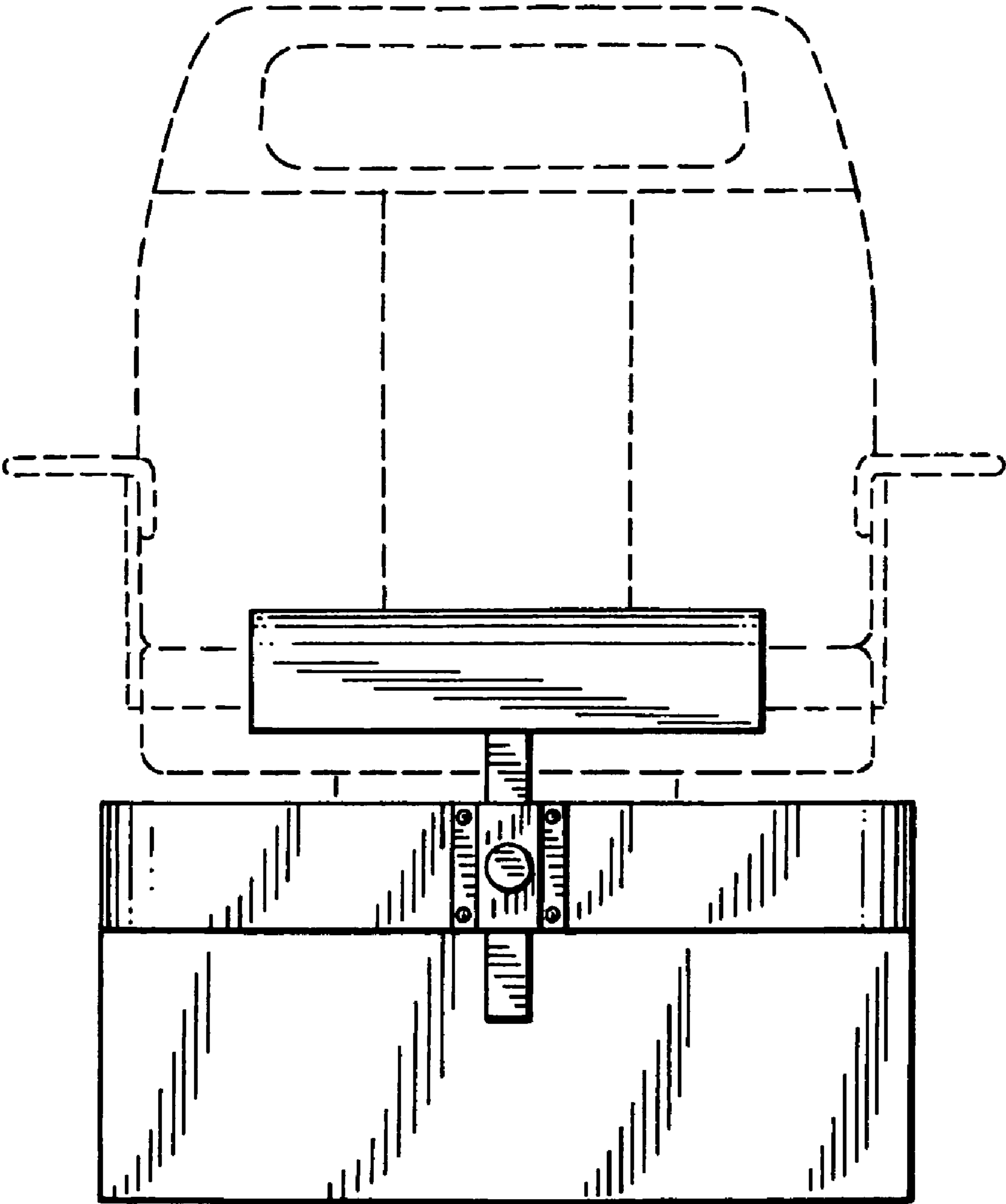


FIG.2

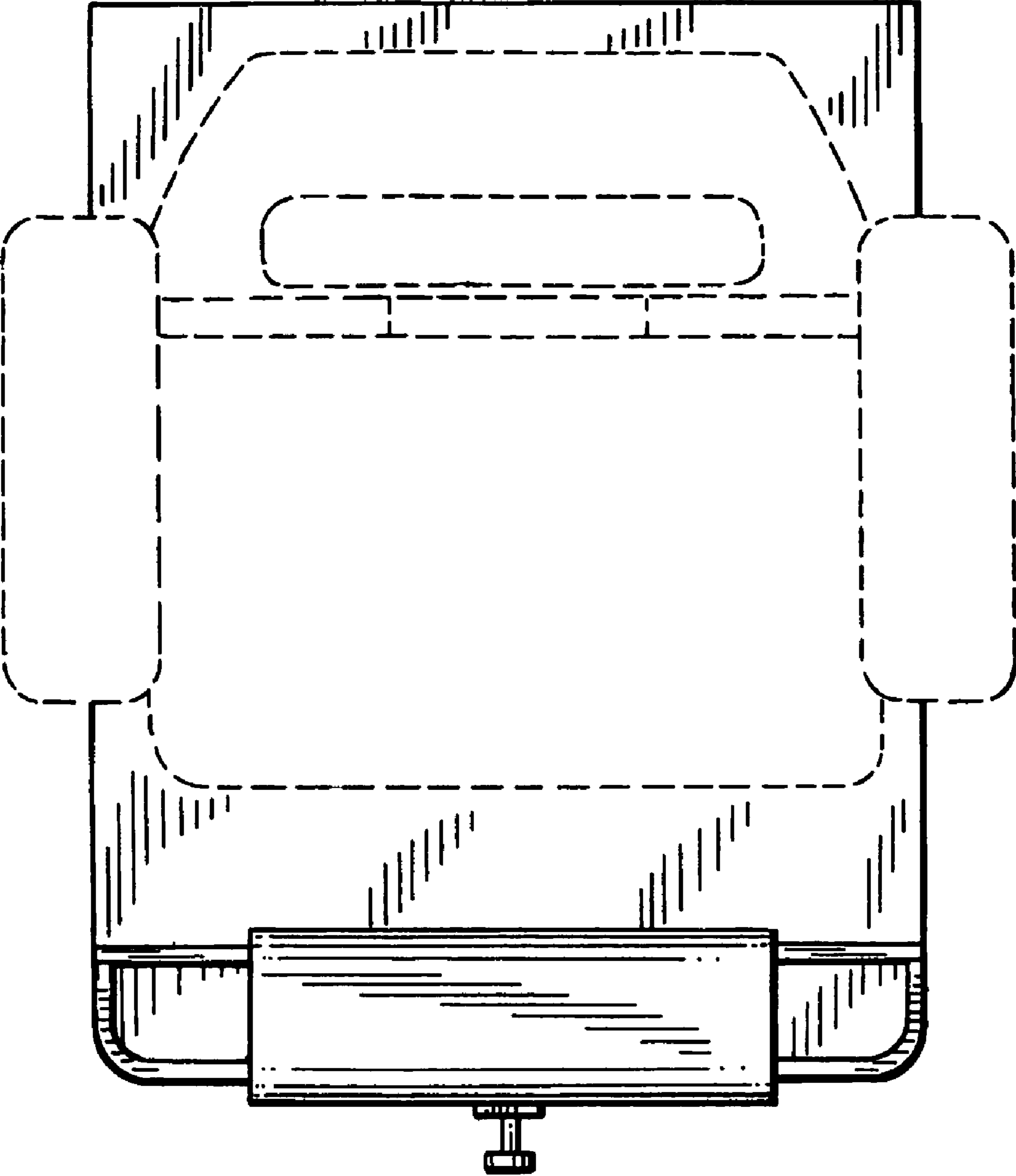


FIG.3

FIG. 4

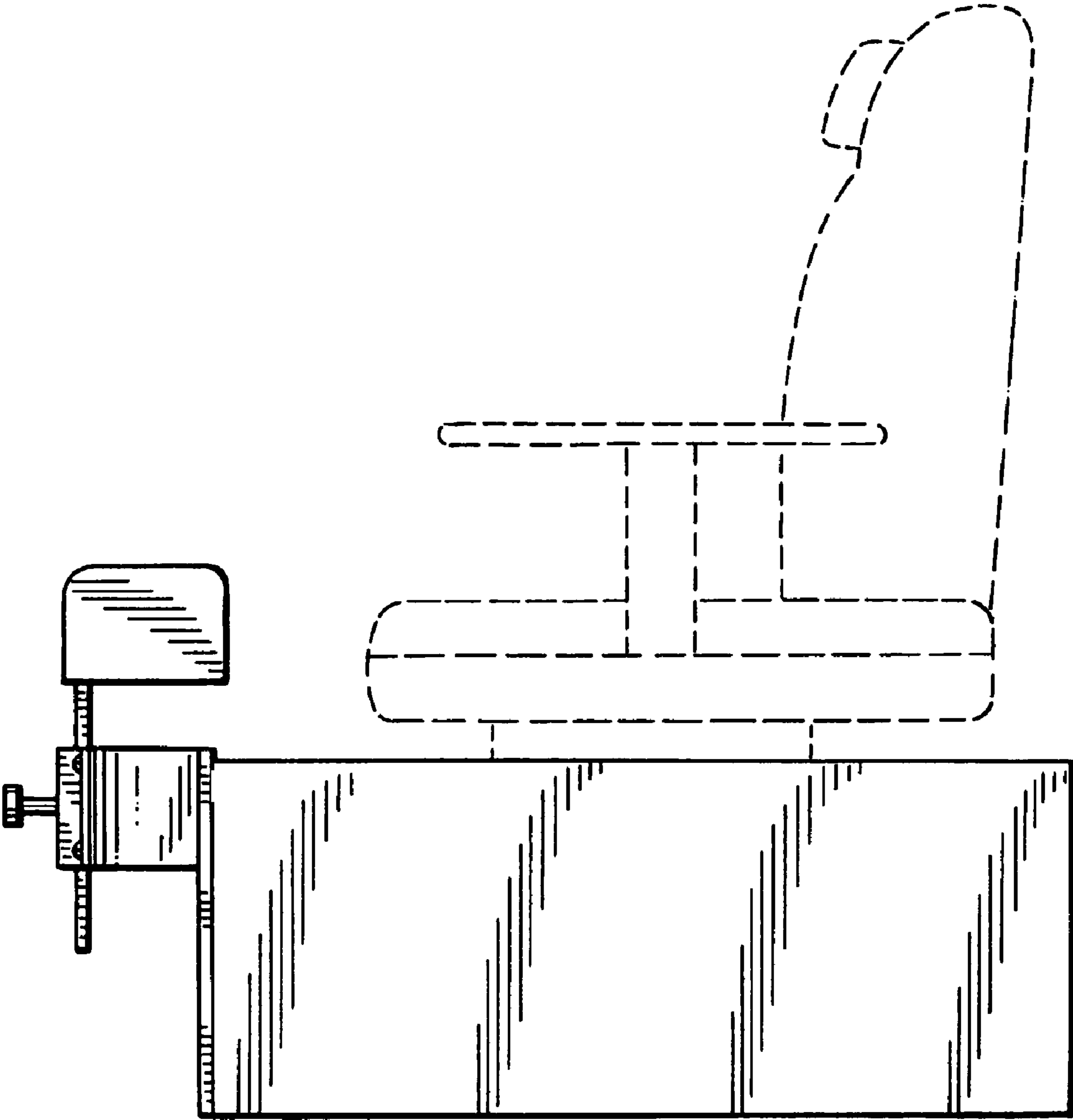


FIG. 5

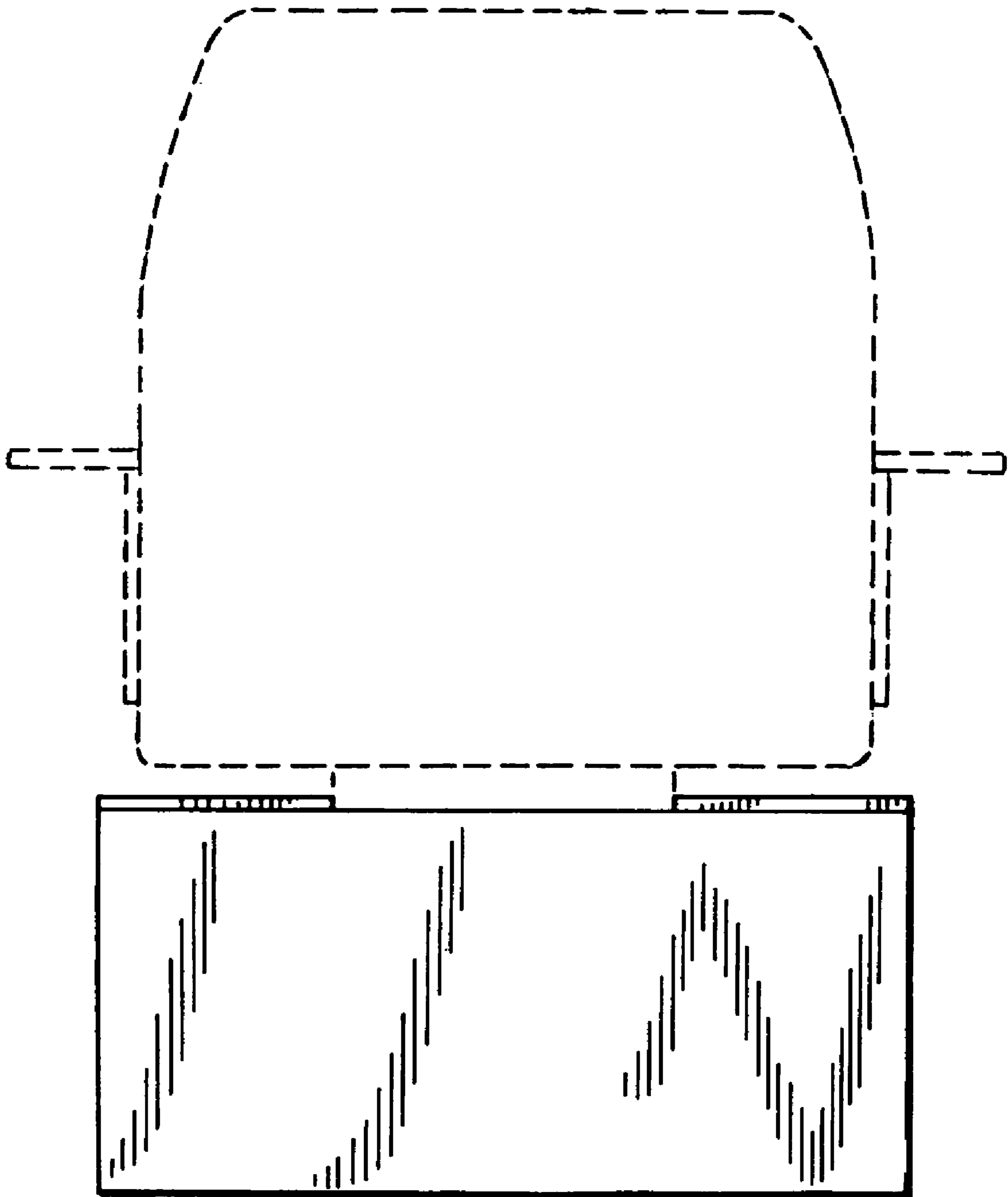
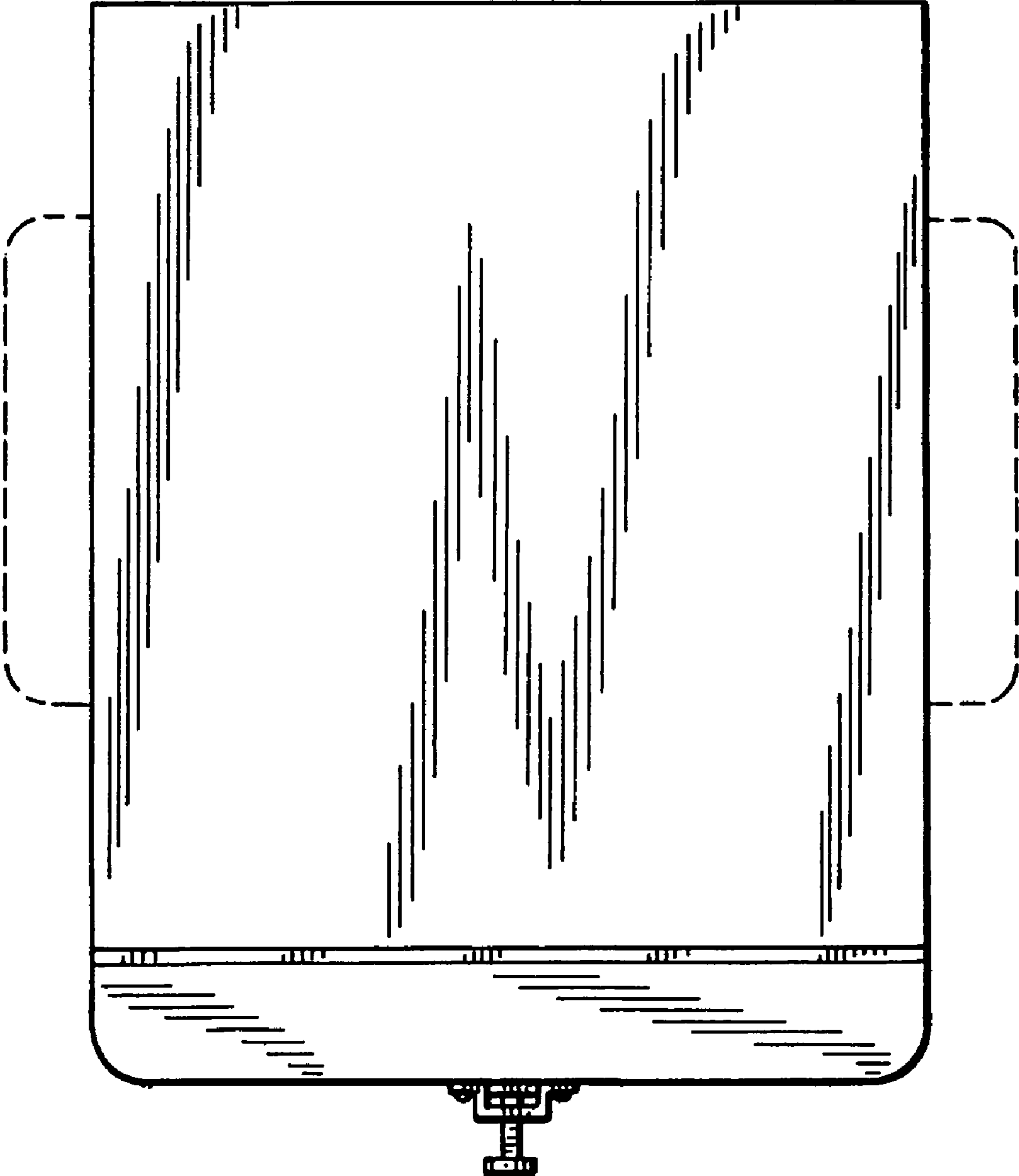


FIG. 6



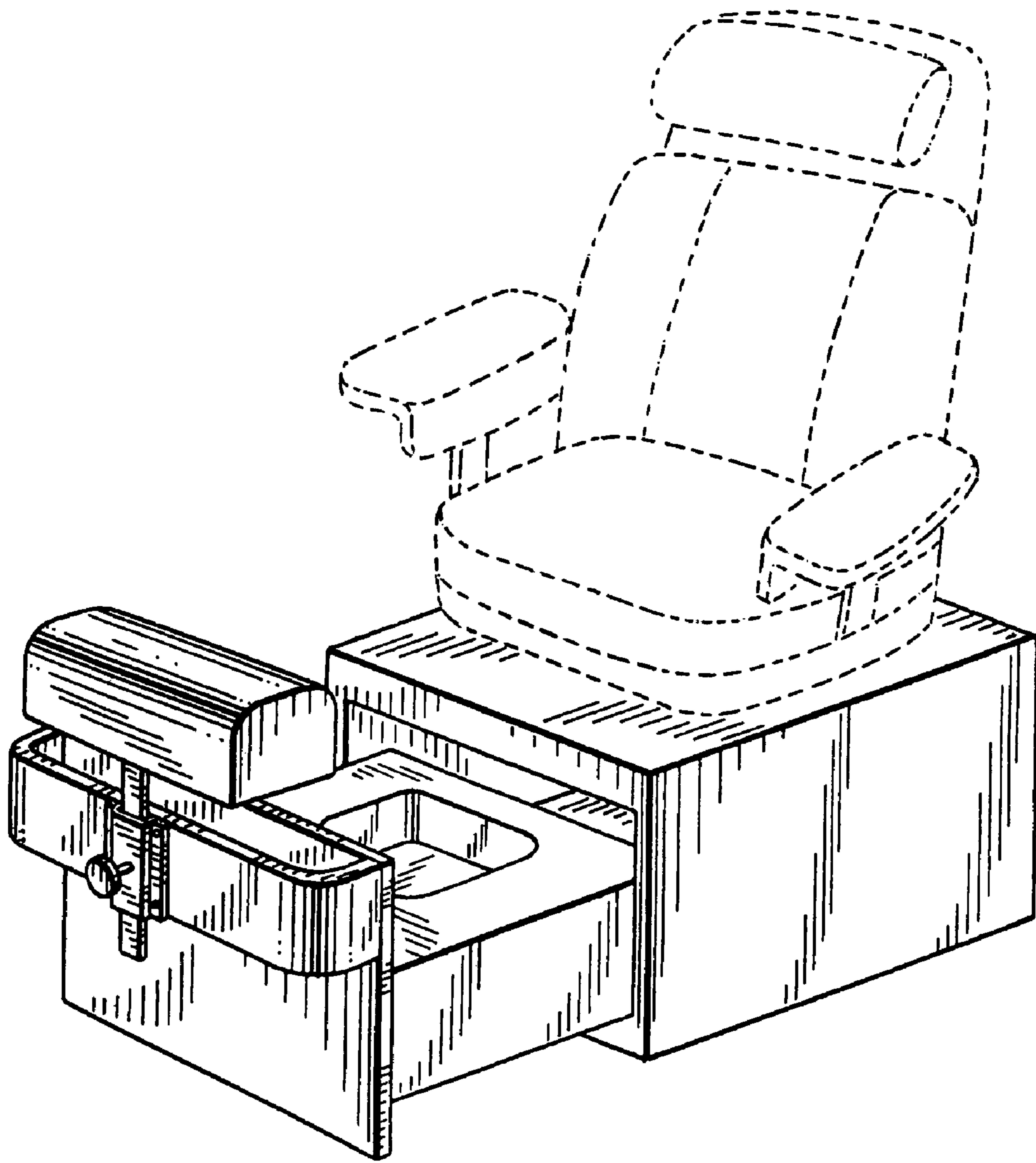


FIG. 7