



US00D606341S

(12) **United States Design Patent**
Kitada

(10) **Patent No.:** **US D606,341 S**

(45) **Date of Patent:** **** Dec. 22, 2009**

(54) **DESK**

(75) Inventor: **Kazuhiko Kitada**, Yokohama (JP)

(73) Assignee: **Okamura Corporation** (JP)

(**) Term: **14 Years**

(21) Appl. No.: **29/338,536**

(22) Filed: **Jun. 12, 2009**

Related U.S. Application Data

(63) Continuation of application No. 29/306,929, filed on Apr. 18, 2008.

(30) **Foreign Application Priority Data**

Oct. 19, 2007 (JP) 2007-028726

(51) **LOC (9) Cl.** **06-06**

(52) **U.S. Cl.** **D6/495**

(58) **Field of Classification Search** D6/480-489,
D6/495-499, 429-431, 422-428; 108/150,
108/153.1, 156, 157.1, 161; 248/188, 188.1,
248/188.8

See application file for complete search history.

(56) **References Cited**

U.S. PATENT DOCUMENTS

D284,532 S * 7/1986 Vogt D6/428

D320,709 S * 10/1991 Lotsch et al. D6/474

D338,577 S * 8/1993 Vonhausen D6/484

D352,845 S * 11/1994 Hellwig et al. D6/422

D367,775 S * 3/1996 Wood, Jr. D6/423

D370,579 S * 6/1996 Simon D6/484

D404,592 S * 1/1999 Cheng et al. D6/495

D423,256 S * 4/2000 Schiavello D6/495

* cited by examiner

Primary Examiner—Janice E Seeger

(74) *Attorney, Agent, or Firm*—Ostrolenk Faber LLP

(57) **CLAIM**

The ornamental design for a desk, as shown and described.

DESCRIPTION

FIG. 1 is a perspective view of a desk showing my new design;

FIG. 2 is a front elevational view thereof;

FIG. 3 is a rear elevational view thereof;

FIG. 4 is a top plan view thereof;

FIG. 5 is a bottom plan view thereof;

FIG. 6 is a right side elevational view thereof;

FIG. 7 is a left side elevational view thereof;

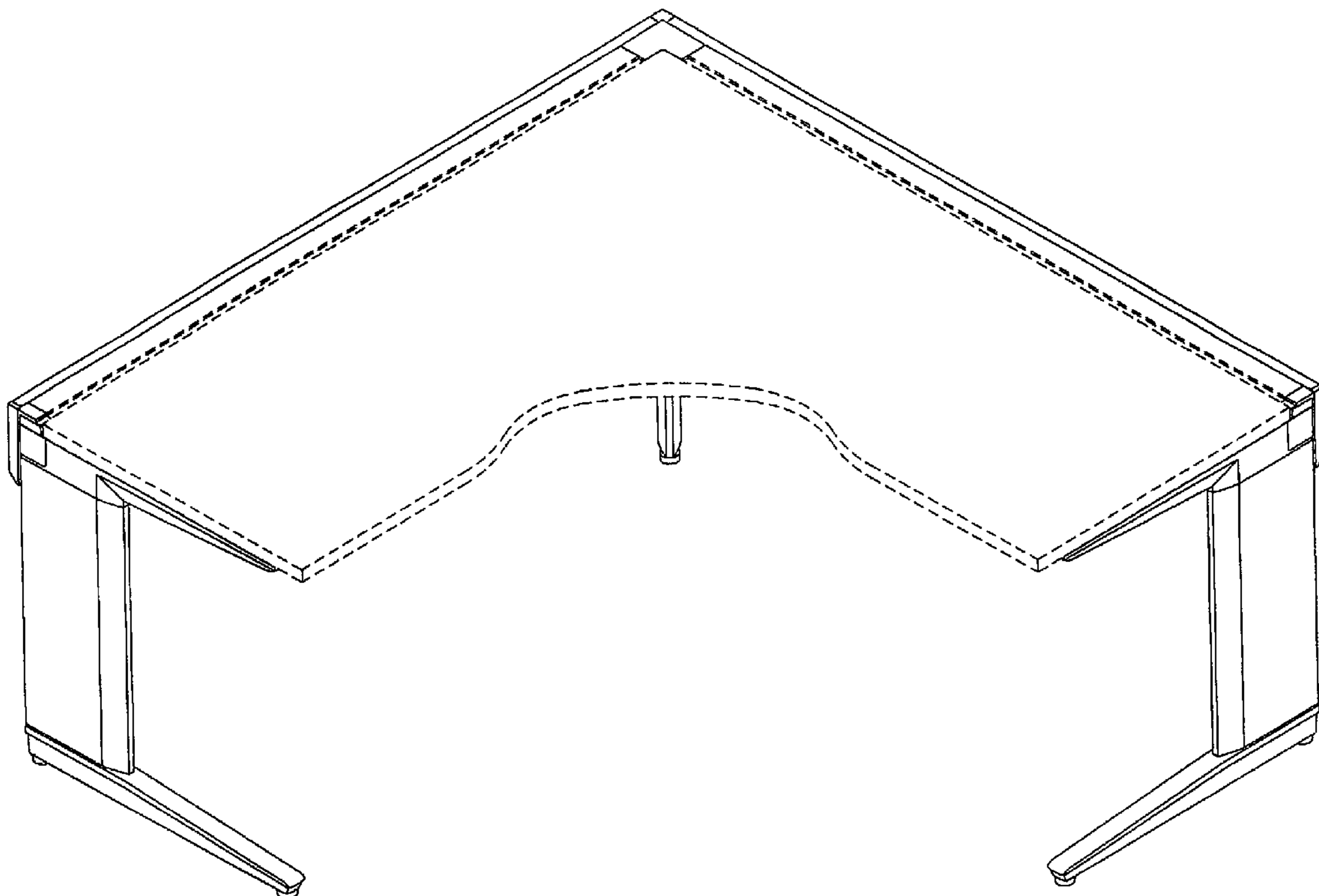
FIG. 8 is a cross section of FIG. 2 along line 8—8;

FIG. 9 is a cross section of FIG. 2 along line 9—9; and,

FIG. 10 is a cross section of FIG. 2 along line 10—10.

The environmental material shown in broken lines forms no part of the design.

1 Claim, 10 Drawing Sheets



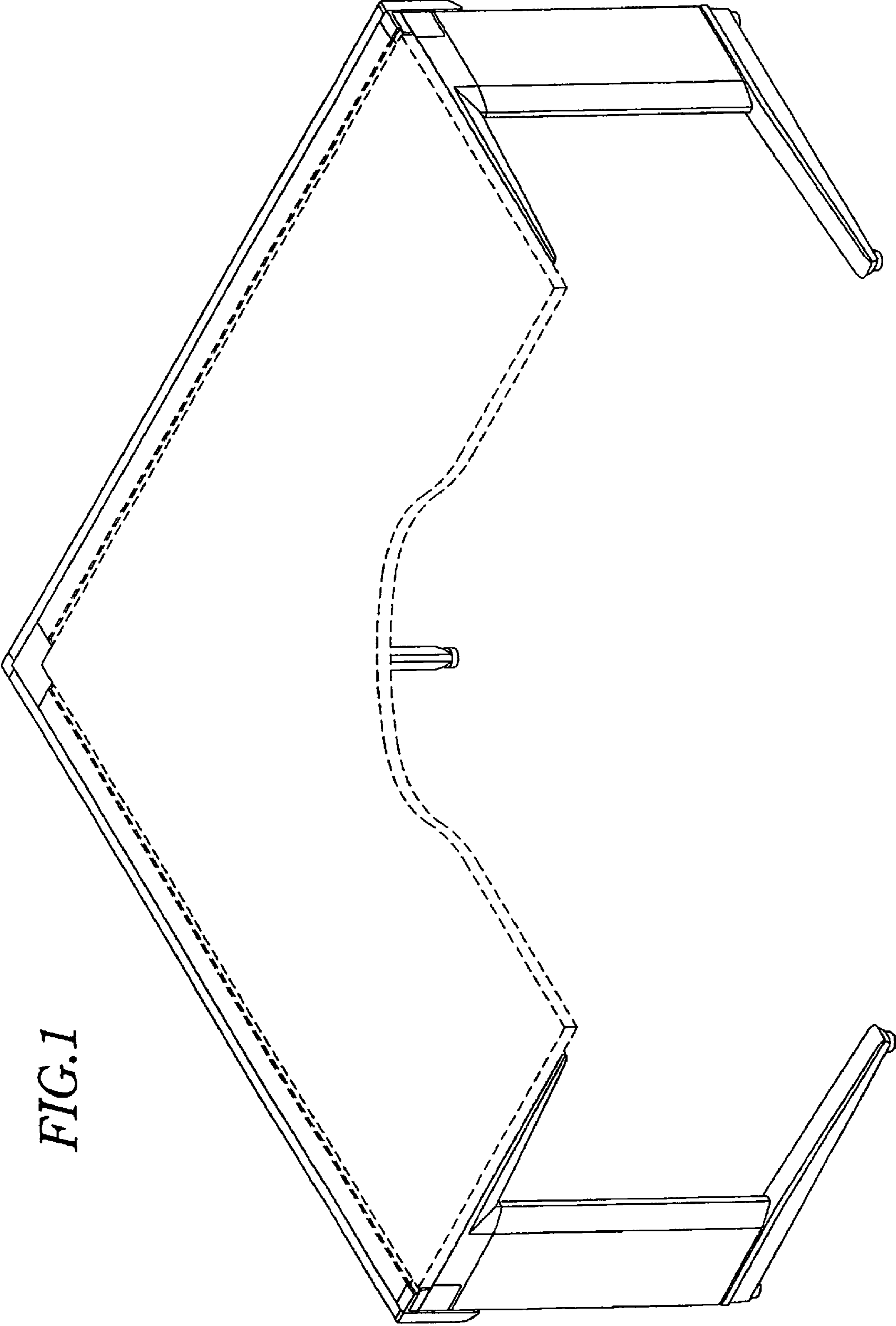


FIG. 1

FIG.2

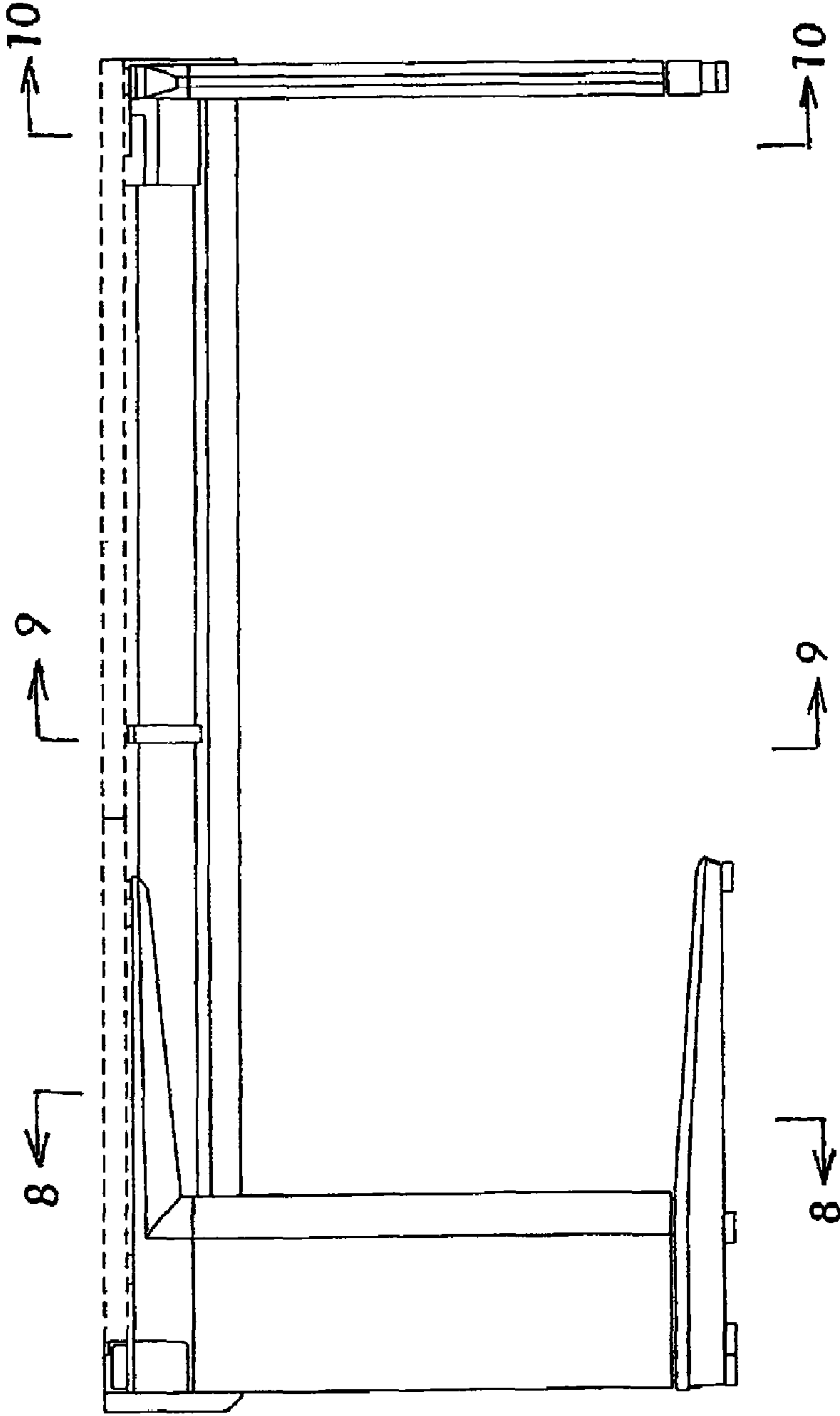
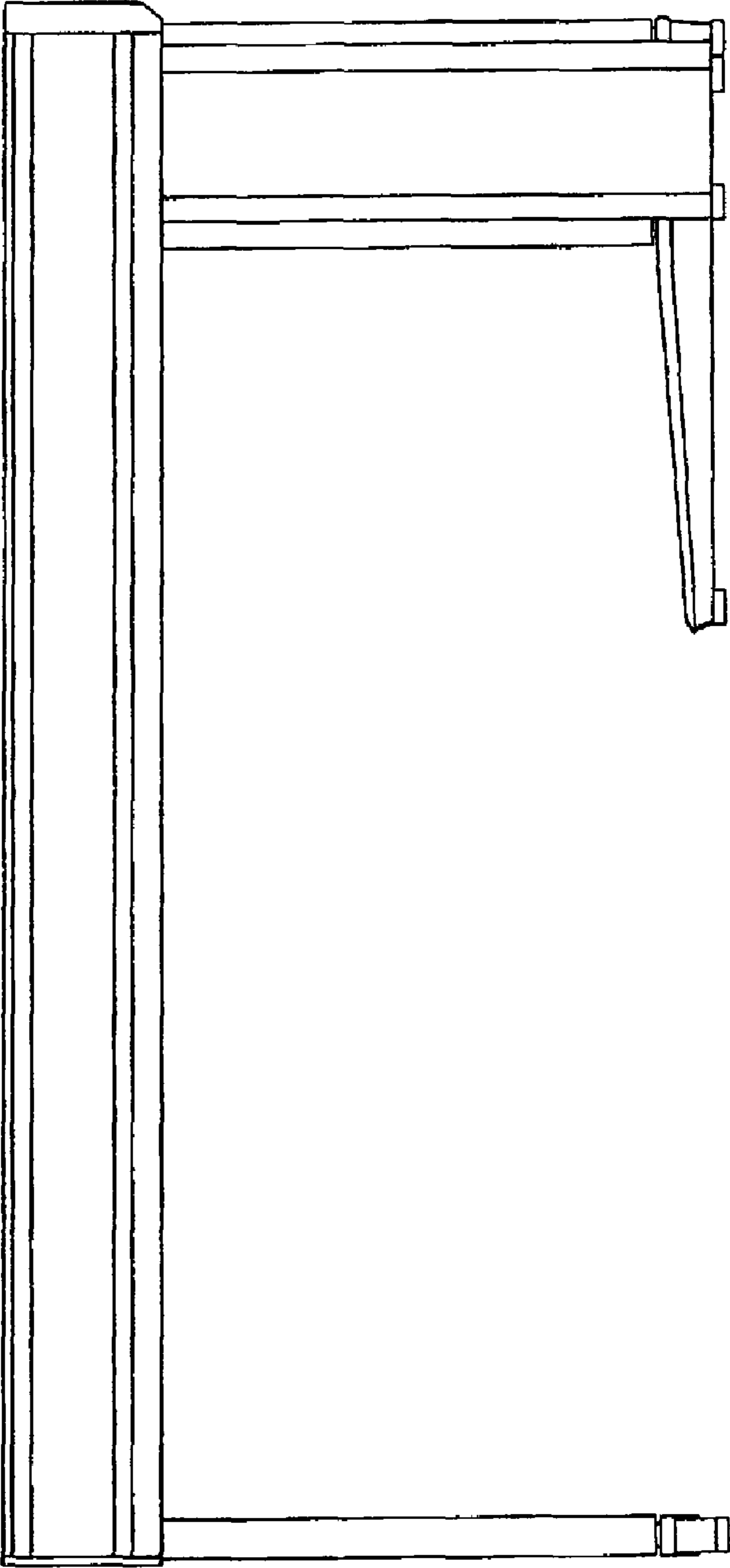


FIG. 3



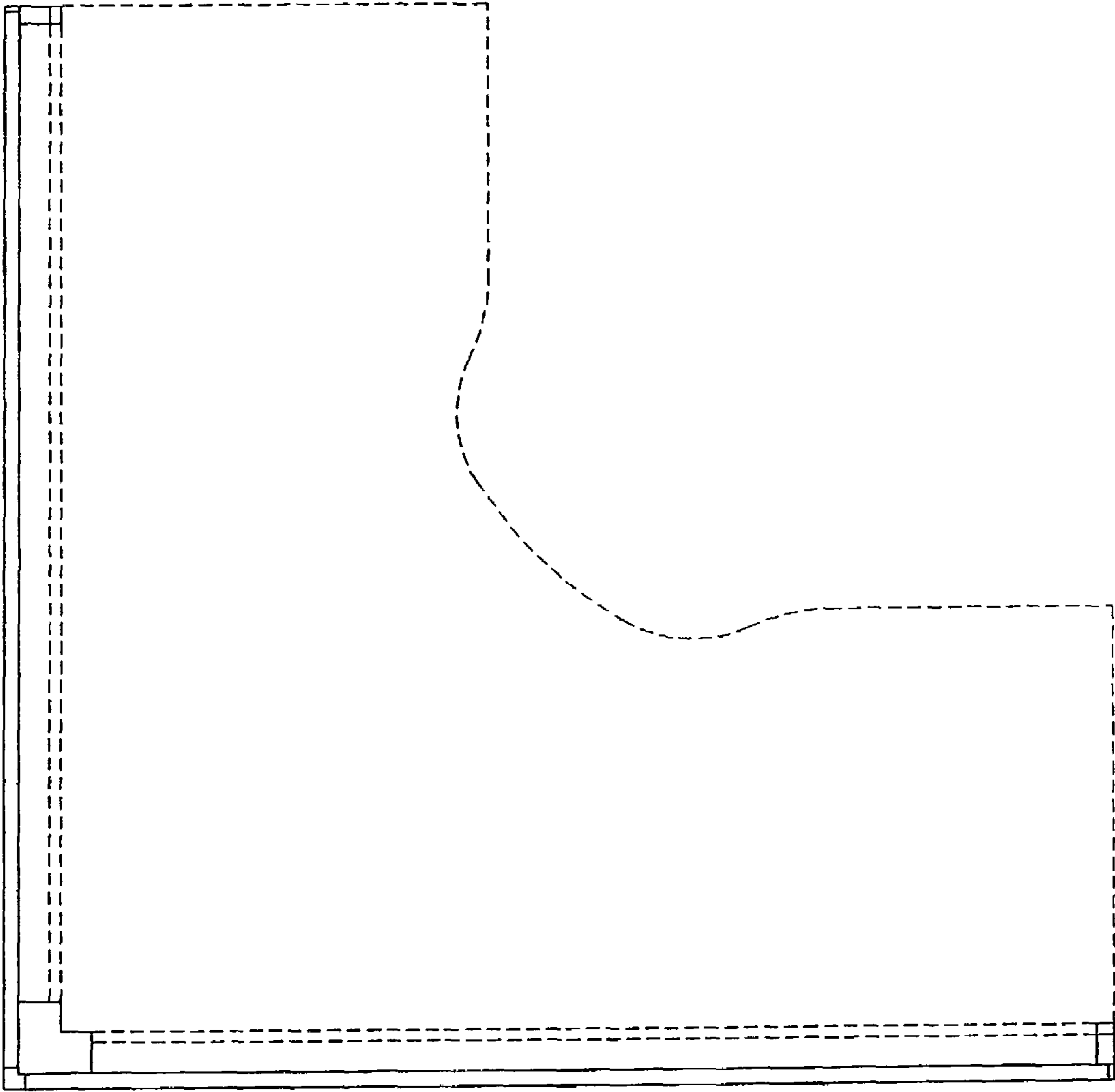


FIG.4

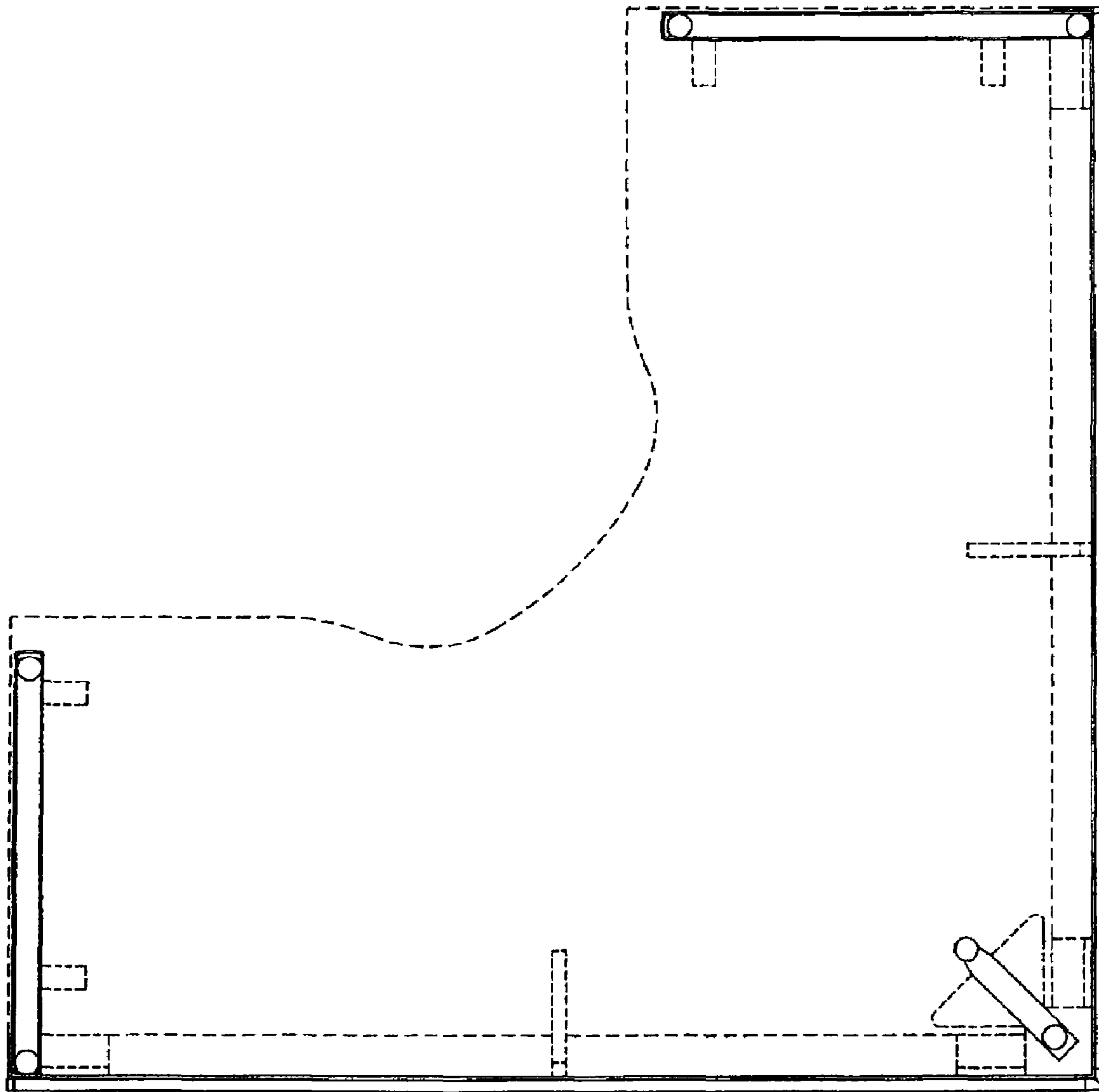


FIG. 5

FIG. 6

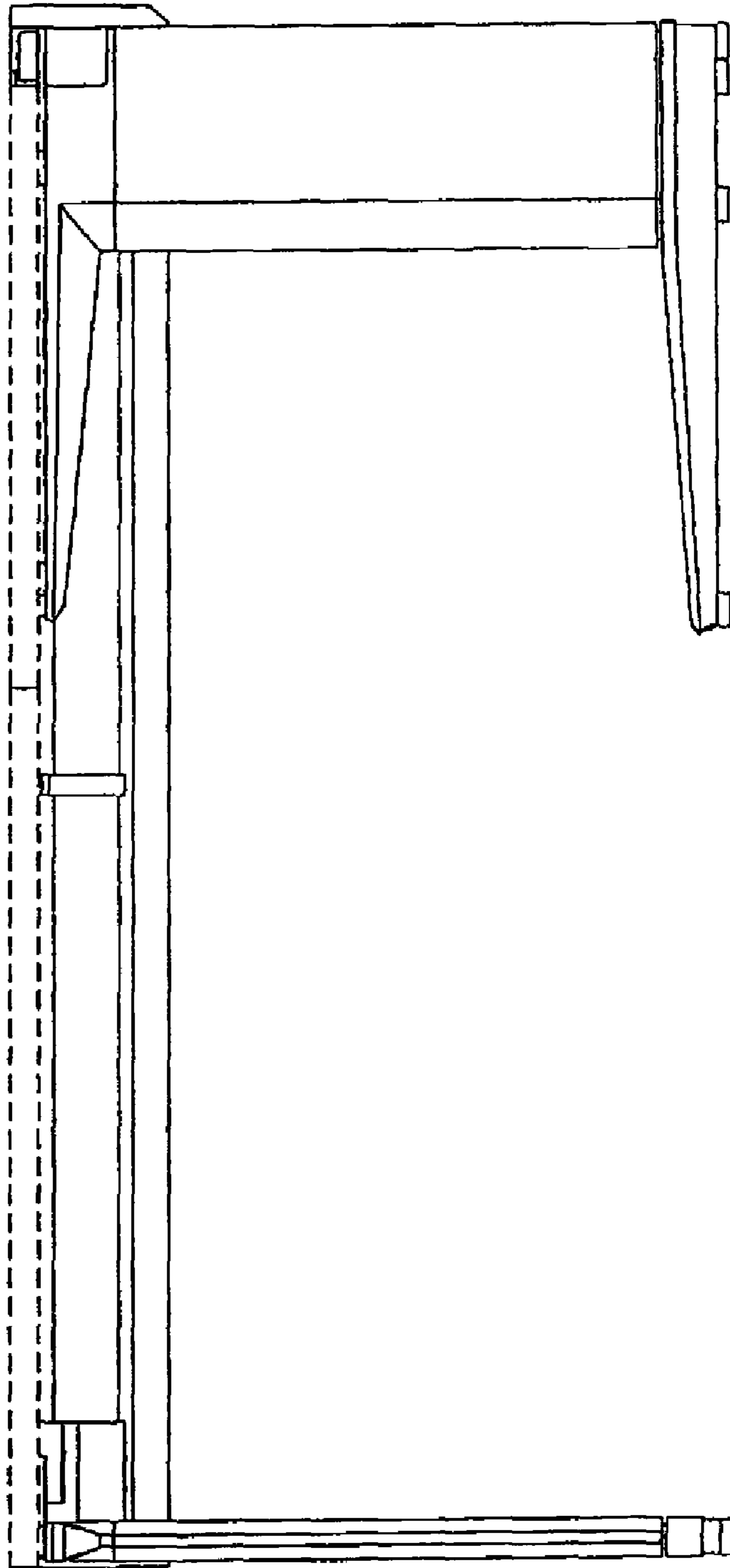


FIG. 7

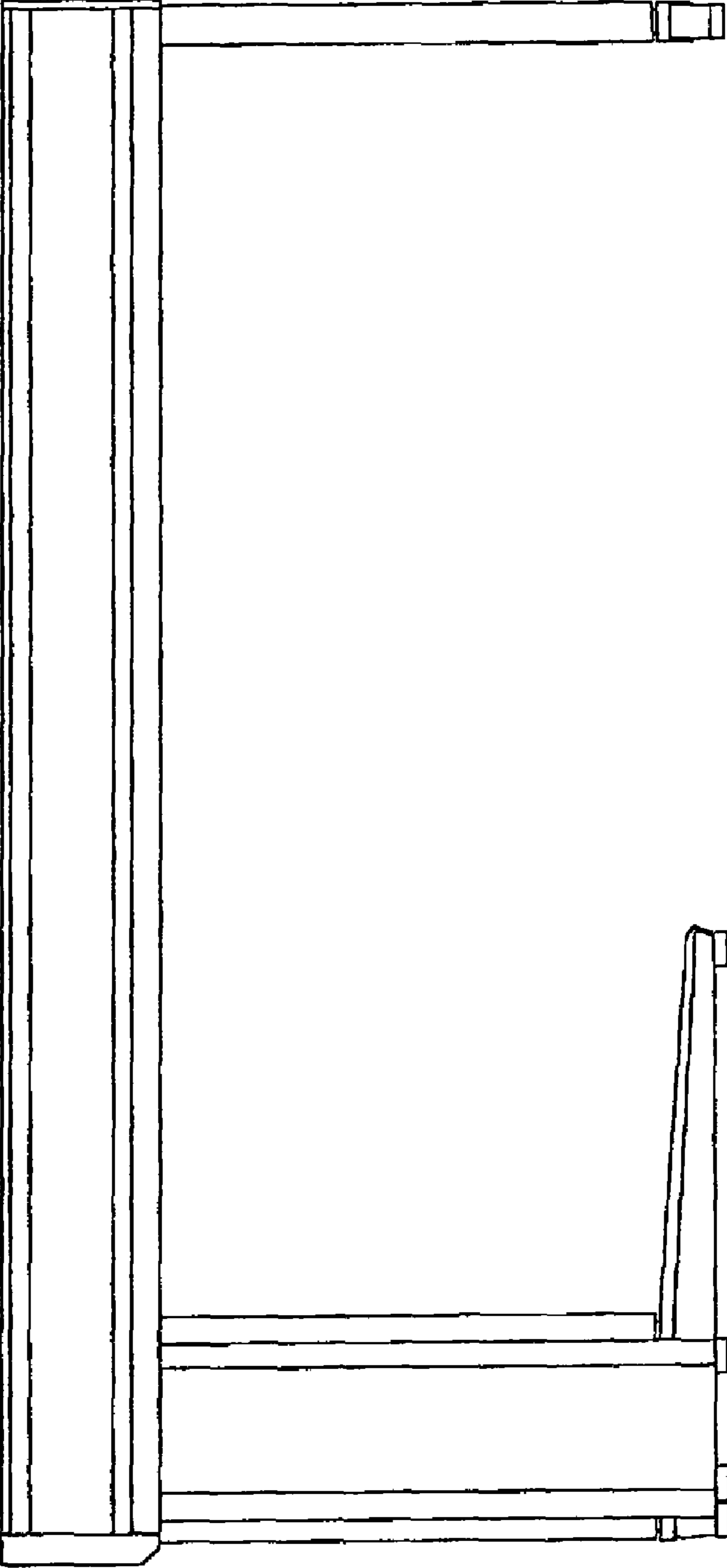


FIG. 8

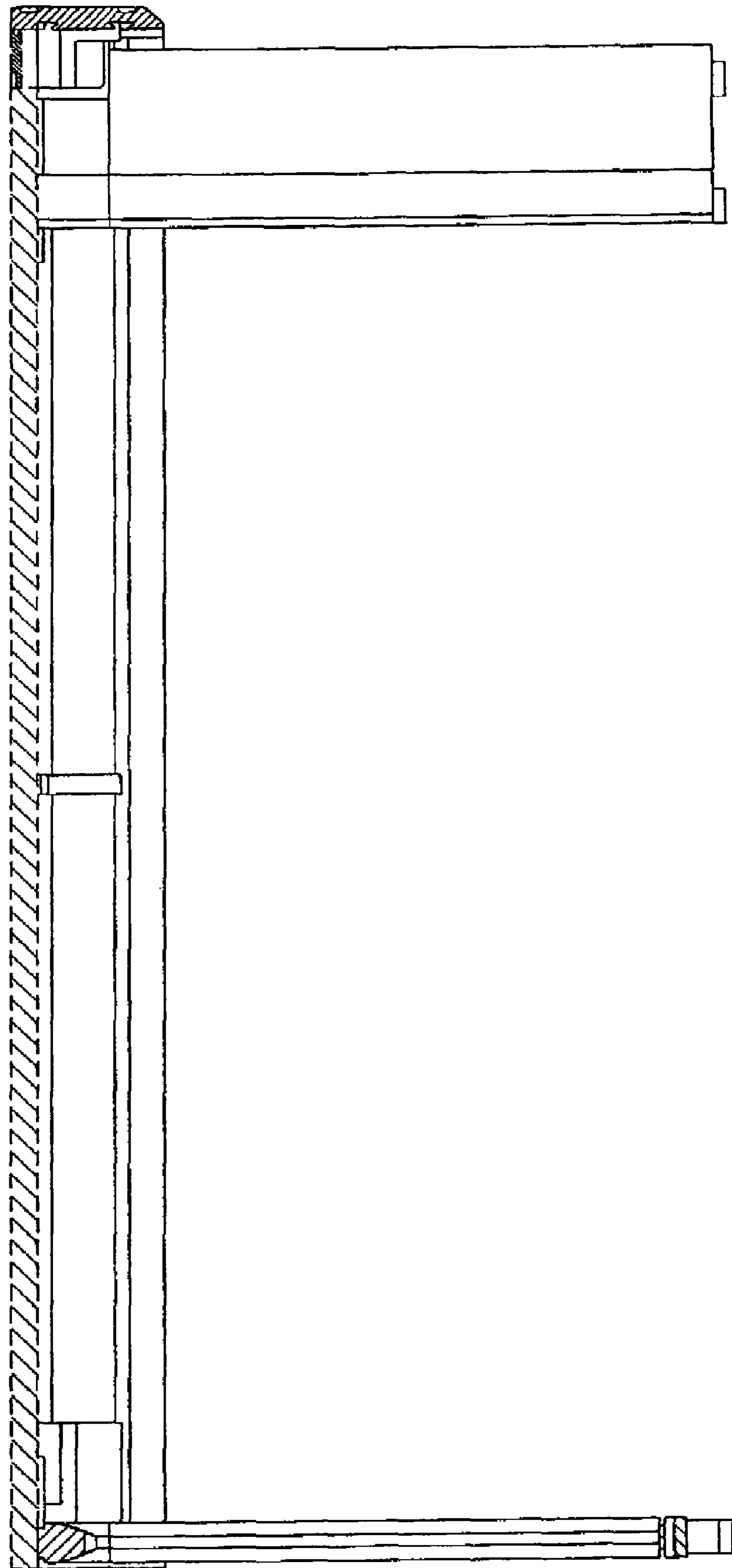


FIG. 9

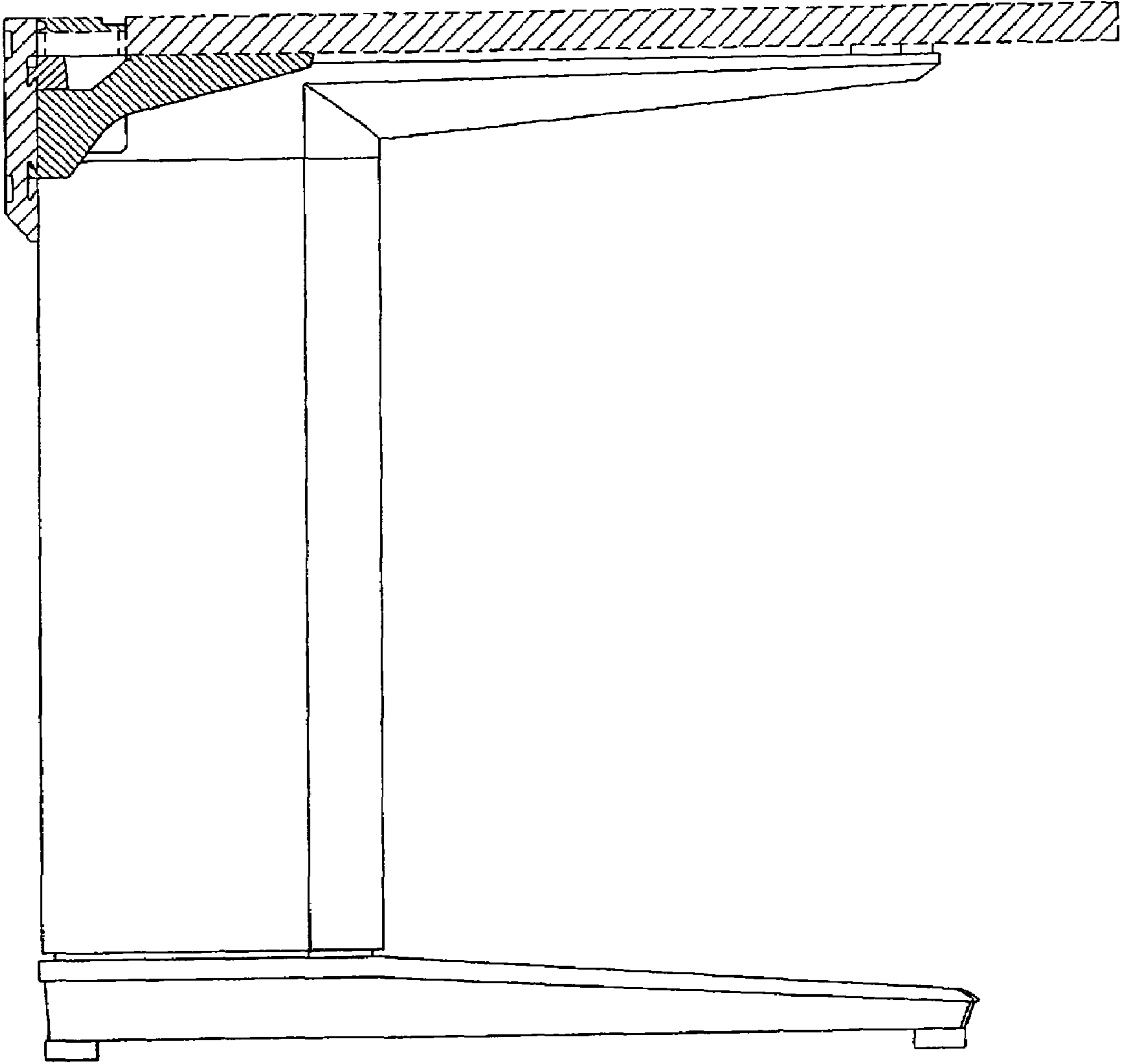


FIG. 10

