



US00D606340S

(12) **United States Design Patent**
Kitada

(10) **Patent No.:** **US D606,340 S**

(45) **Date of Patent:** **** Dec. 22, 2009**

(54) **SET OF DESK LEGS**

(75) Inventor: **Kazuhiko Kitada**, Yokohama (JP)

(73) Assignee: **Okamura Corporation** (JP)

(**) Term: **14 Years**

(21) Appl. No.: **29/336,967**

(22) Filed: **May 13, 2009**

Related U.S. Application Data

(63) Continuation of application No. 29/306,937, filed on Apr. 18, 2008.

(30) **Foreign Application Priority Data**

Oct. 19, 2007 (JP) 2007-028735

(51) **LOC (9) Cl.** **06-06**

(52) **U.S. Cl.** **D6/495**

(58) **Field of Classification Search** D6/480-489,
D6/495-499, 429-431, 422-428; 108/150,
108/153.1, 156, 157.1, 161; 248/188, 188.1,
248/188.8

See application file for complete search history.

(56) **References Cited**

U.S. PATENT DOCUMENTS

D172,983 S * 9/1954 Peterson et al. D6/423

D277,151 S * 1/1985 Hannah D6/423

D284,532 S * 7/1986 Vogt D6/428

D299,089 S * 12/1988 Cvek D6/428

D352,845 S * 11/1994 Hellwig et al. D6/422

D363,391 S * 10/1995 Zapf D6/422

* cited by examiner

Primary Examiner—Janice E Seeger

(74) *Attorney, Agent, or Firm*—Ostrolenk Faber LLP

(57) **CLAIM**

The ornamental design for a set of desk legs, as shown and described.

DESCRIPTION

FIG. 1 is a top perspective view of set of desk legs showing my new design;

FIG. 2 is a front elevational view thereof;

FIG. 3 is a rear elevational view thereof;

FIG. 4 is a top plan view thereof;

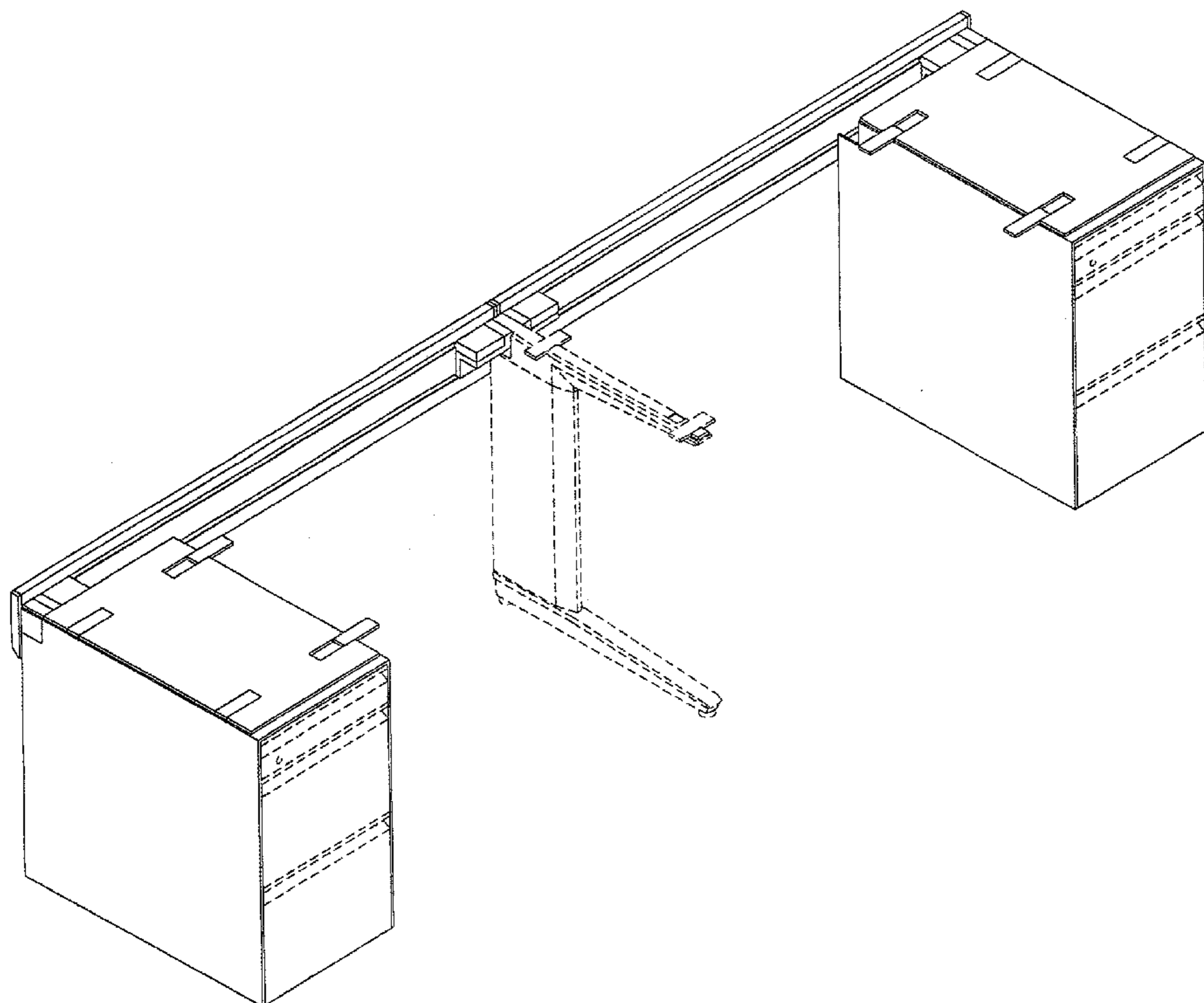
FIG. 5 is a bottom plan view thereof;

FIG. 6 is a right side elevational view thereof, the opposite left side elevational view thereof being a mirror image; and,

FIG. 7 is a cross sectional view of the set of desk legs along the line 7—7 of FIG. 2.

The environmental material shown in broken lines forms no part of the design.

1 Claim, 6 Drawing Sheets



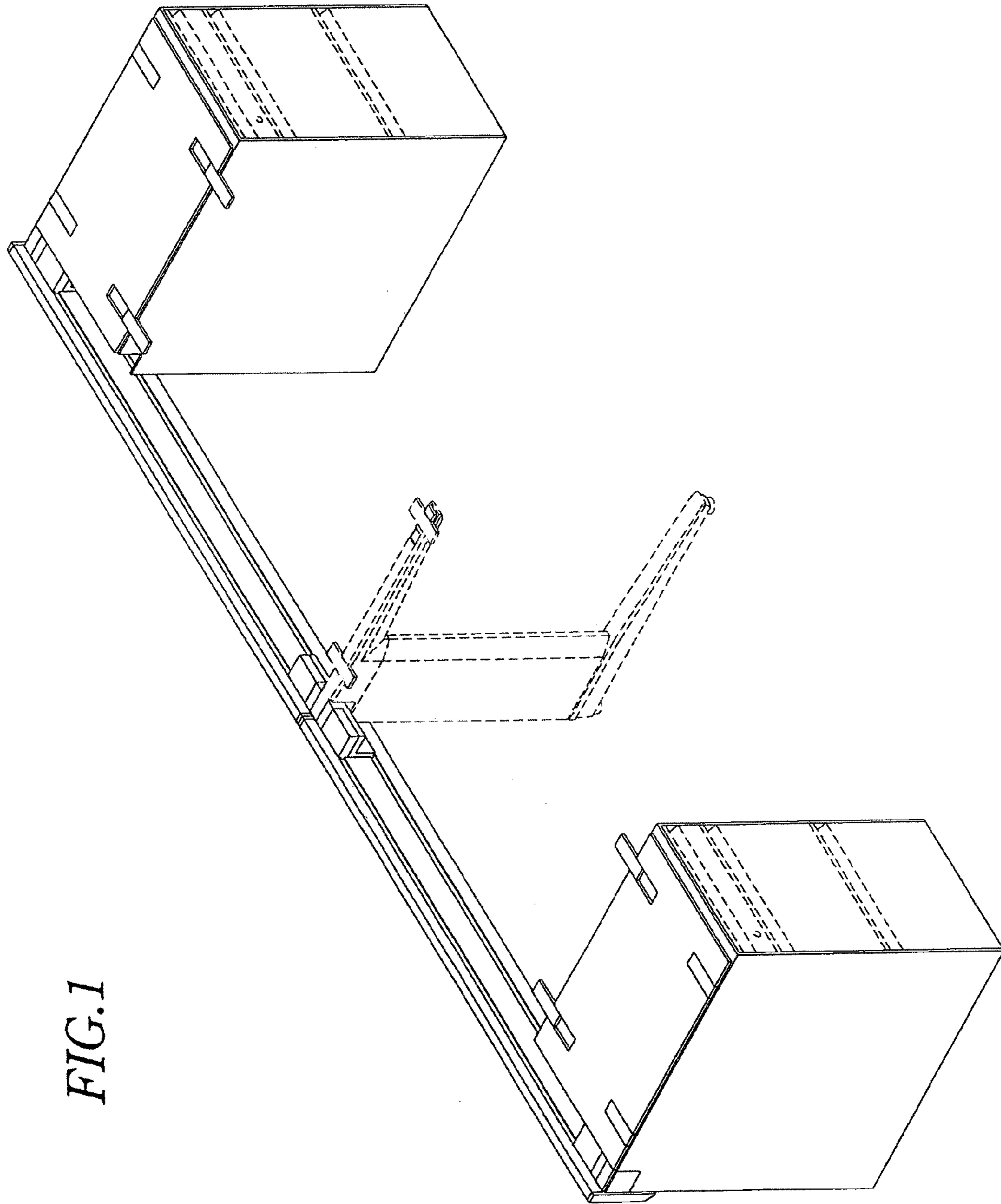


FIG. 1

FIG.2

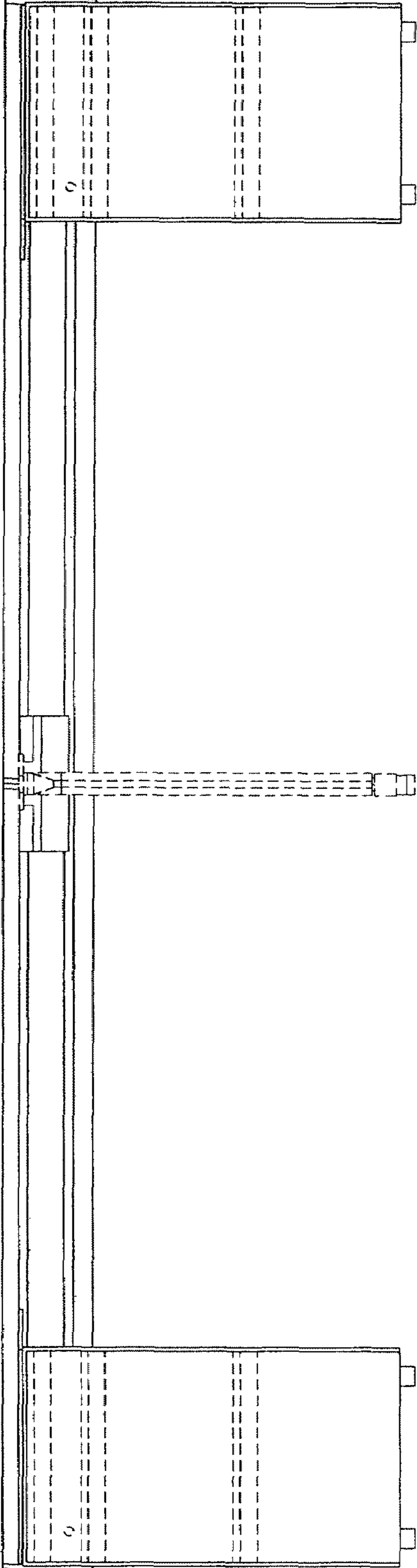


FIG.3

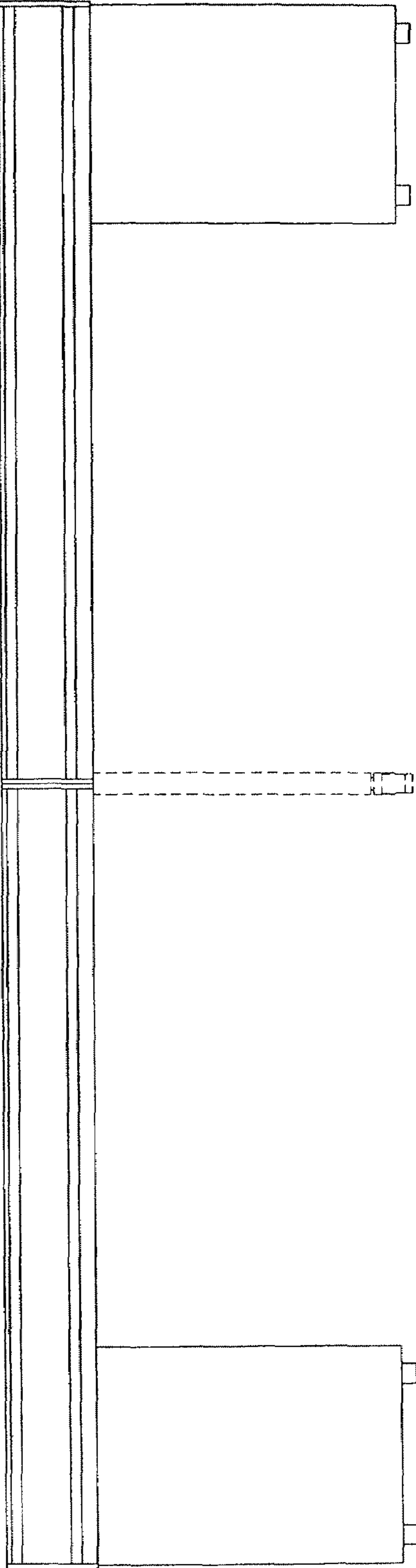
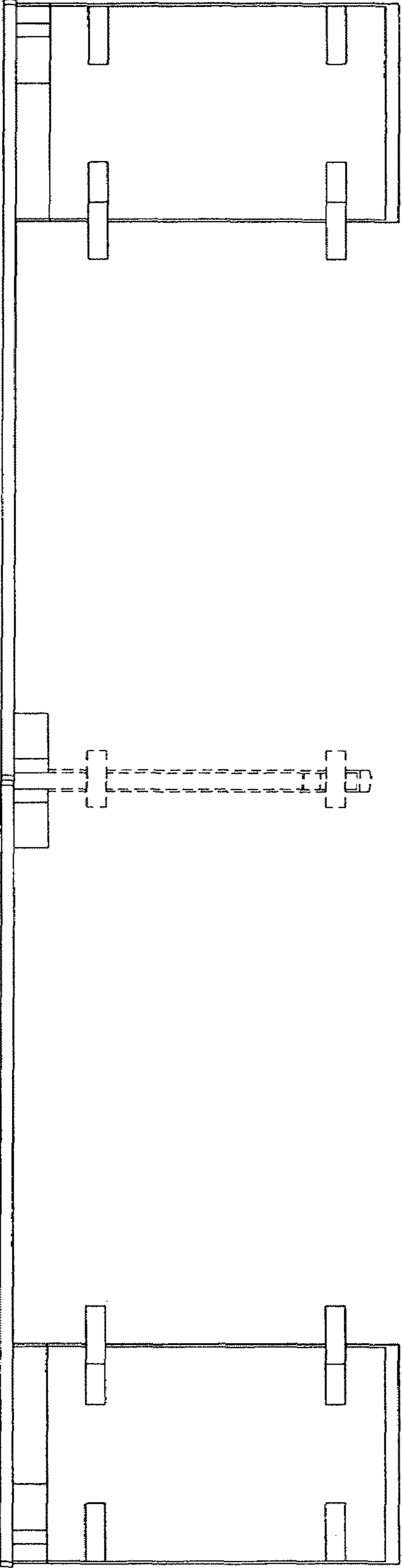


FIG. 4



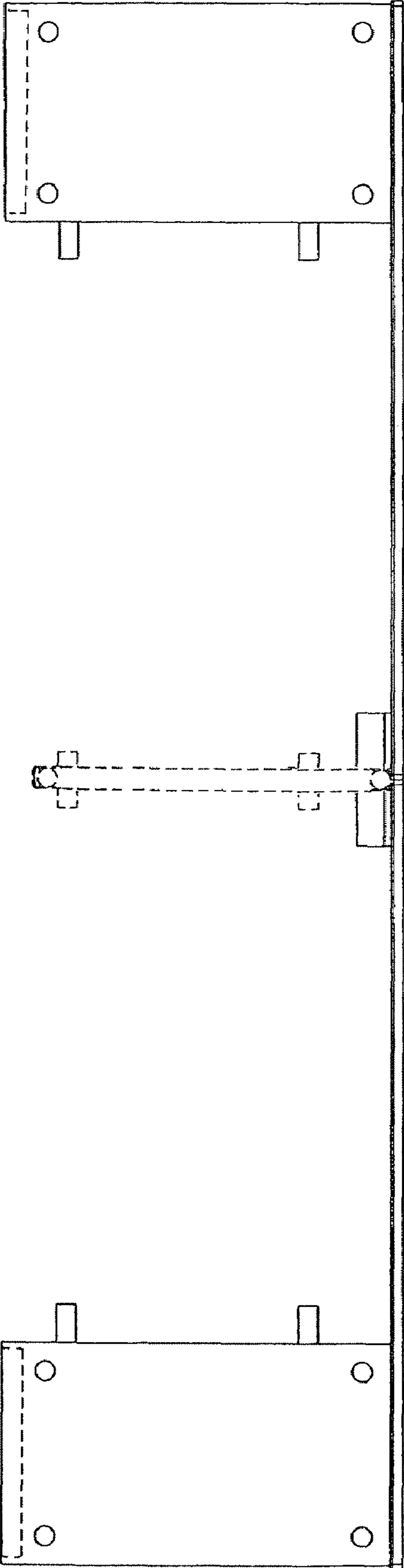


FIG.5

FIG. 6

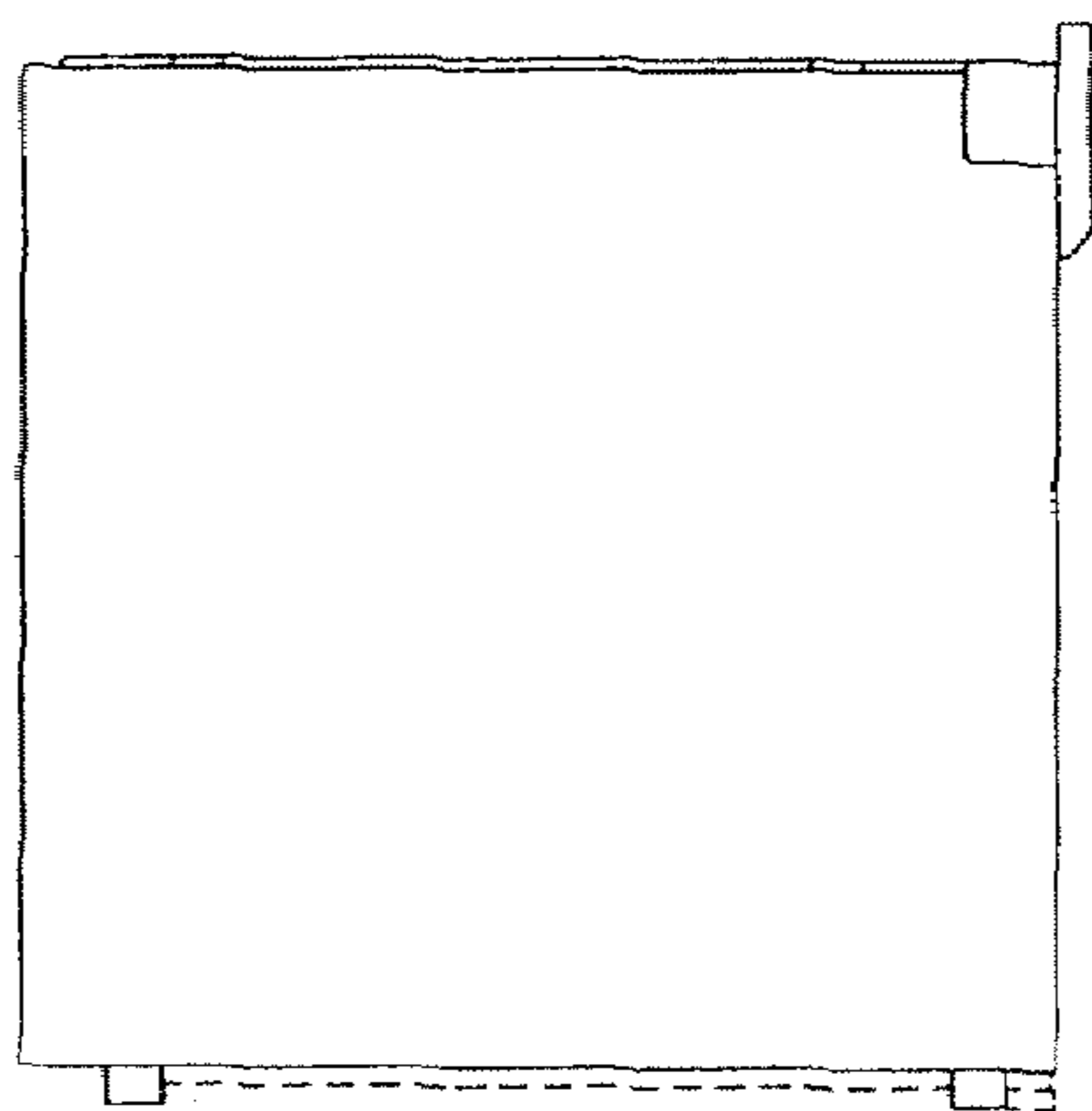


FIG. 7

