



US00D606339S

(12) **United States Design Patent**
Jacobson et al.

(10) **Patent No.:** **US D606,339 S**

(45) **Date of Patent:** **** Dec. 22, 2009**

(54) **CABINET GRILLE**

(75) Inventors: **Kenneth E. Jacobson**, Owatonna, MN (US); **Peter F. Menzel**, Owatonna, MN (US); **Rebecca S. Broton**, Owatonna, MN (US); **Mark R. Friedrichs**, Owatonna, MN (US); **Ronald R. Freiheit**, Owatonna, MN (US)

(73) Assignee: **Wenger Corporation**, Owatonna, MN (US)

(**) Term: **14 Years**

(21) Appl. No.: **29/282,695**

(22) Filed: **Jul. 26, 2007**

(51) **LOC (9) Cl.** **06-06**

(52) **U.S. Cl.** **D6/492**

(58) **Field of Classification Search** D6/397,
D6/425-426, 429, 432-448, 470, 474, 477-480,
D6/484, 492-495, 510; D7/323, 337, 359,
D7/388, 402, 409; D25/48-53; 99/400,
99/417, 425, 440, 448-450; 312/107, 114,
312/138.1, 198, 204, 209, 224, 257.1
See application file for complete search history.

(56) **References Cited**

U.S. PATENT DOCUMENTS

D188,780 S * 9/1960 Kates D7/409
3,717,083 A * 2/1973 Karapetian 99/450
D236,201 S * 8/1975 Shoush D25/48
D238,066 S * 12/1975 McKenzie D25/48
D341,211 S * 11/1993 Zvi D25/53
D341,292 S * 11/1993 Johnston D7/409
D346,531 S * 5/1994 Stephen et al. D7/409

D364,535 S * 11/1995 Moore D7/409
D402,503 S * 12/1998 Sanchez D7/409
D433,875 S * 11/2000 Schroeter D7/409

OTHER PUBLICATIONS

Wenger Brochure Reference; Total Storage Solutions for Music Suites; Wenger Corporation, Owatonna, Minnesota; 2003; 8 pages.

* cited by examiner

Primary Examiner—Caron Veynar

Assistant Examiner—Ricky Pham

(74) *Attorney, Agent, or Firm*—Patterson, Thuente, Skaar & Christensen, P.A.

(57) **CLAIM**

We claim the ornamental design for a cabinet grille, as shown and described.

DESCRIPTION

FIG. 1 is a front perspective view of a cabinet grille according to our new design.

FIG. 2 is a front elevational view of the cabinet grille of FIG. 1.

FIG. 3 is a rear elevational view of the cabinet grille of FIG. 1.

FIG. 4 is a right side elevational view of the cabinet grille of FIG. 1.

FIG. 5 is a left side elevational view of the cabinet grille of FIG. 1.

FIG. 6 is a top plan view of the cabinet grille of FIG. 1; and, FIG. 7 is a bottom plan view of the cabinet grille of FIG. 1.

The broken lines represent environmental elements only and form no part of the claimed design.

1 Claim, 1 Drawing Sheet

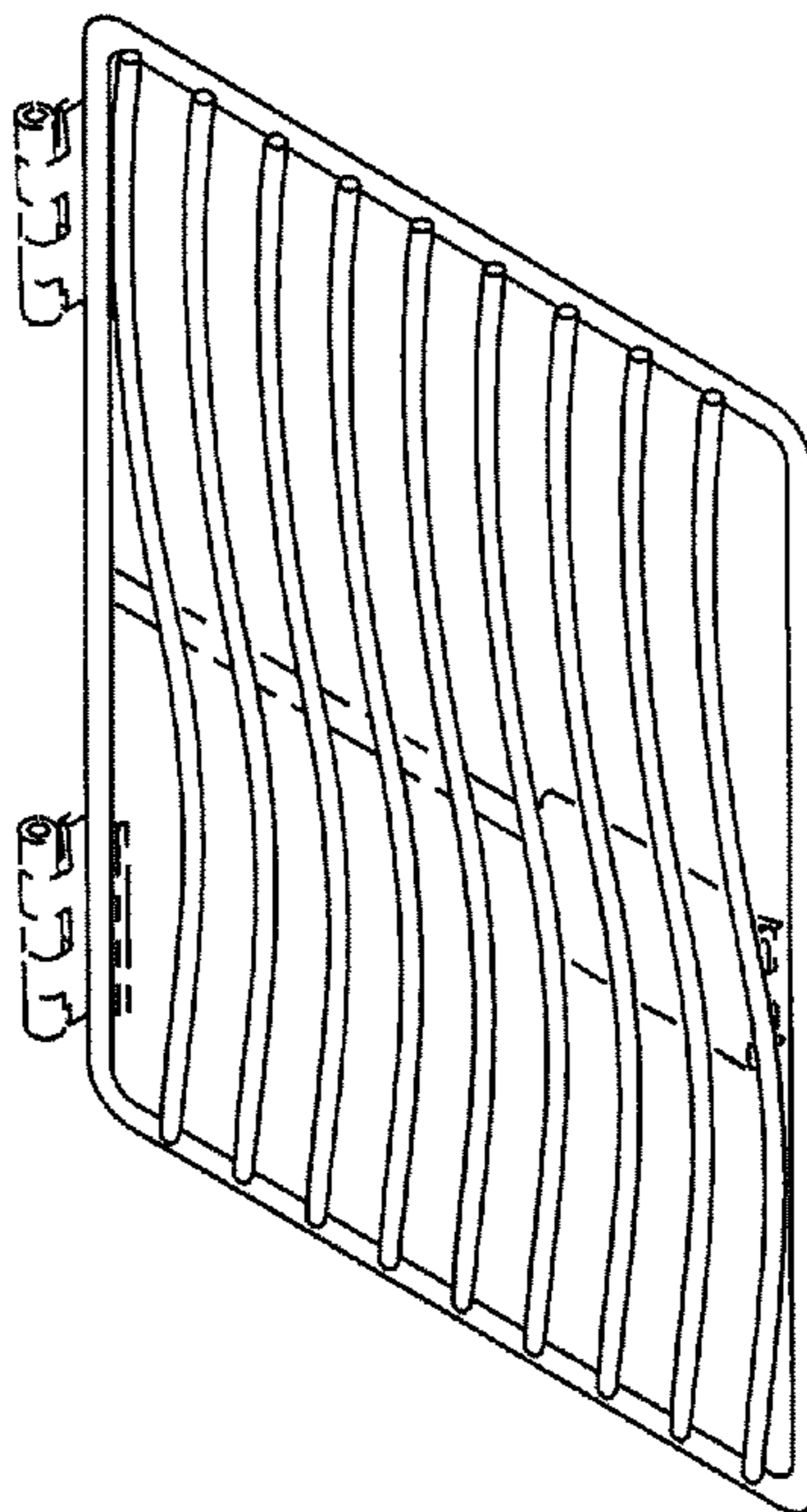


Fig. 1

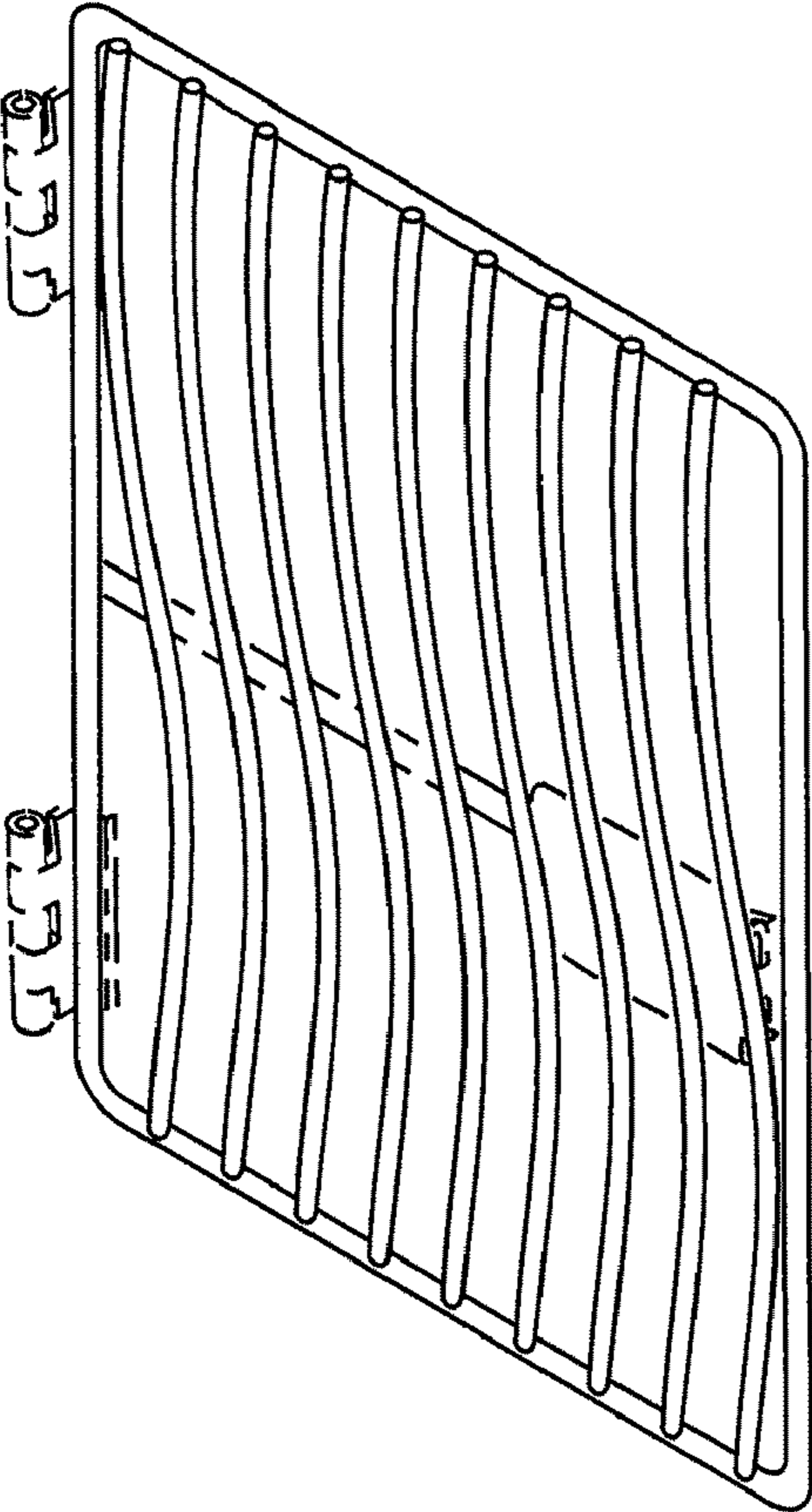


Fig. 2

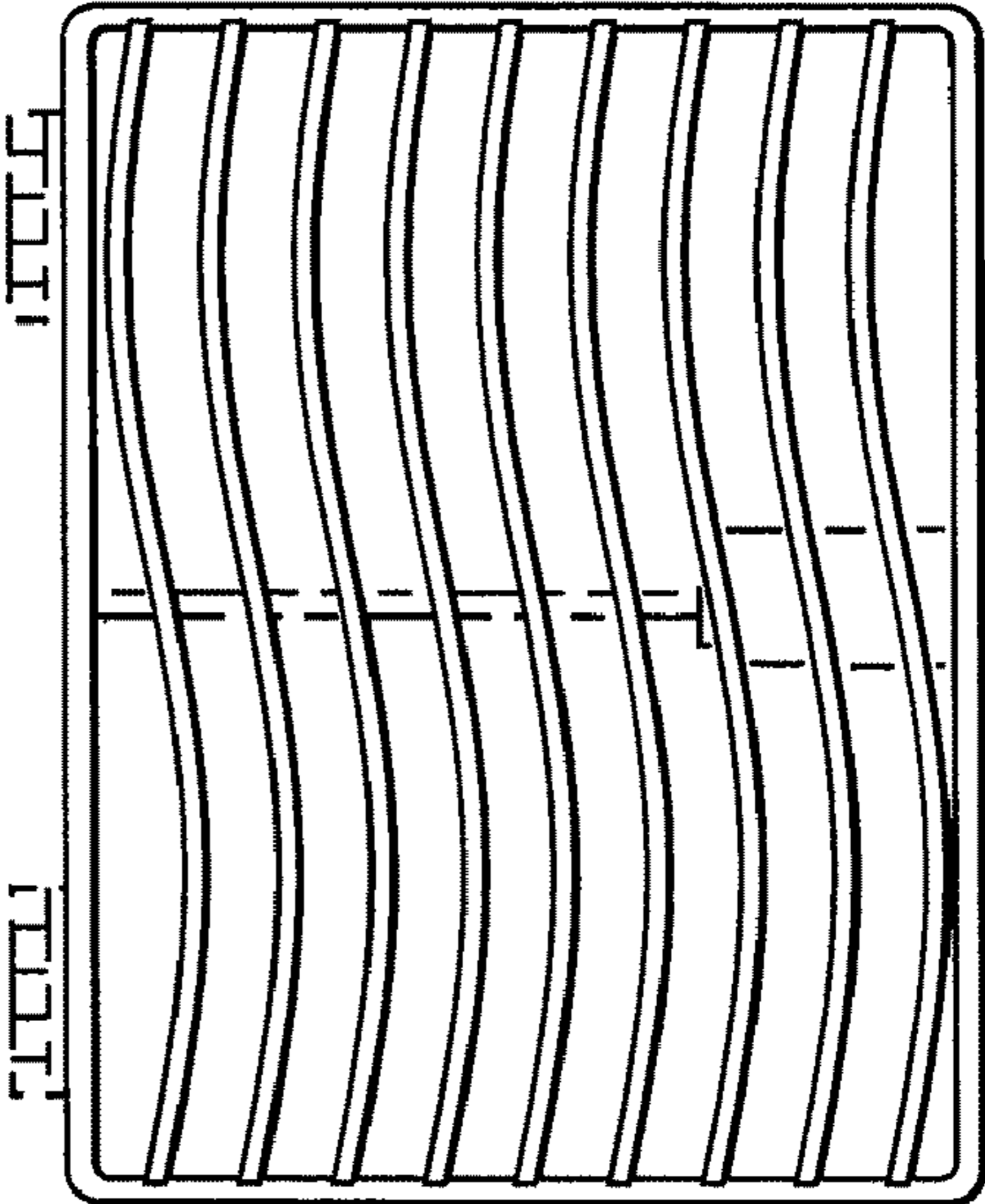


Fig. 3

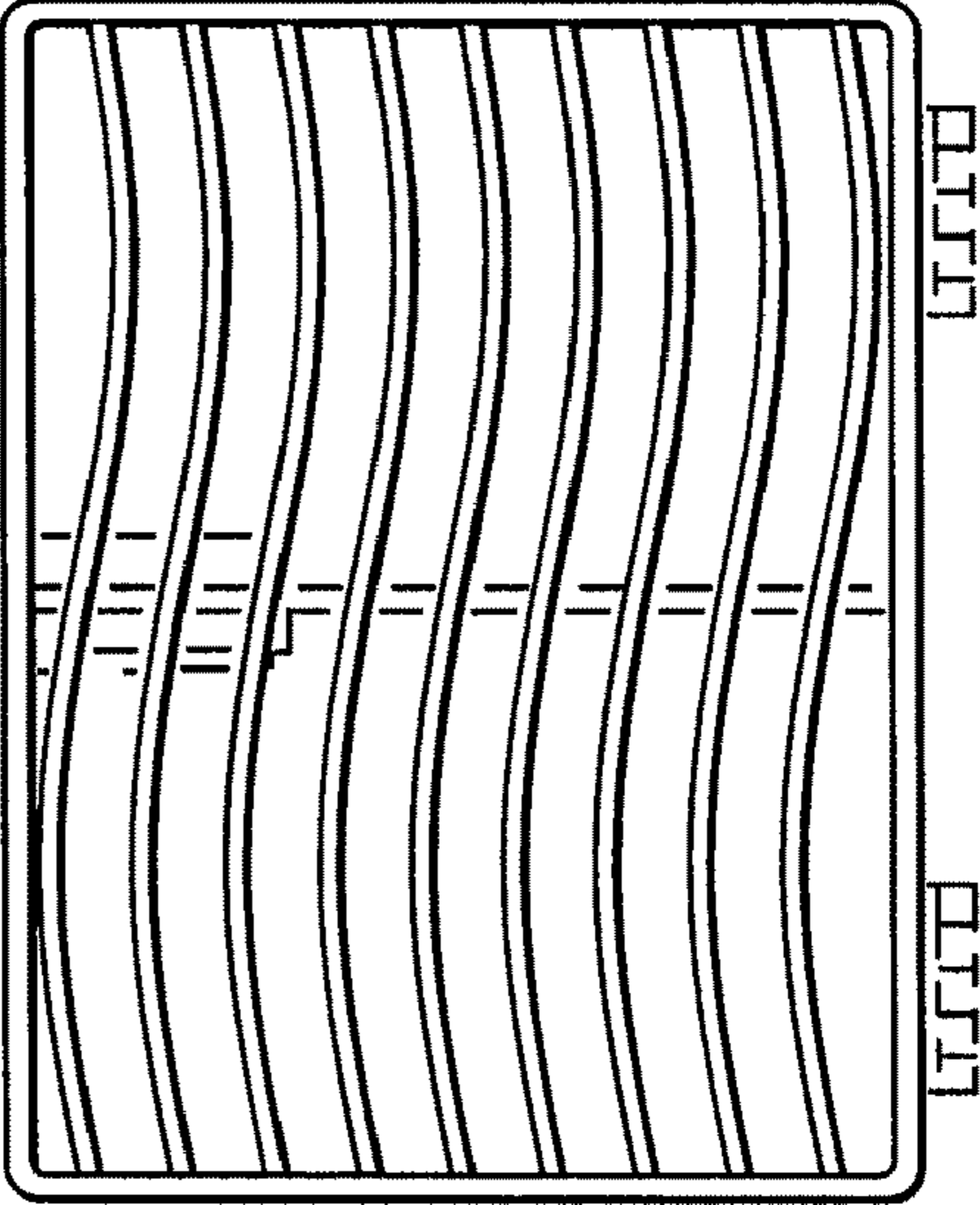


Fig. 4



Fig. 5



Fig. 6



Fig. 7

