



US00D606338S

(12) **United States Design Patent**
Radke

(10) **Patent No.:** **US D606,338 S**

(45) **Date of Patent:** **** *Dec. 22, 2009**

(54) **BACK SOCKET MEMBER FOR A DRAWER SLIDE SYSTEM**

(76) Inventor: **Todd F. Radke**, 13989 Lindbergh Cir., Chico, CA (US) 95973

(*) Notice: This patent is subject to a terminal disclaimer.

(**) Term: **14 Years**

(21) Appl. No.: **29/295,688**

(22) Filed: **Oct. 3, 2007**

(51) **LOC (9) Cl.** **06-01**

(52) **U.S. Cl.** **D6/491**

(58) **Field of Classification Search** D6/491,
D6/510, 496, 499, 511, 492, 396, 397, 421,
D6/422, 509; 297/370; 403/38; 312/334.1,
312/344.5, 334.4, 334.7, 330.1, 330.27, 330.42;
248/314

See application file for complete search history.

(56) **References Cited**

U.S. PATENT DOCUMENTS

D265,036 S * 6/1982 Litchfield et al. D6/510
D270,413 S * 9/1983 Gutner et al. D8/374
5,257,861 A * 11/1993 Domenig et al. 312/334.5
D352,410 S * 11/1994 Barnard D6/491

5,549,376 A * 8/1996 Domenig 312/334.5
D442,077 S * 5/2001 Crooks et al. D8/374
D464,830 S * 10/2002 High D6/492
D469,001 S * 1/2003 Branson, Jr. D8/374
D508,175 S * 8/2005 Werschmidt D6/491
6,945,617 B2 * 9/2005 Wong 312/334.1
D554,978 S * 11/2007 Radke D8/354

* cited by examiner

Primary Examiner—Caron Veynar

Assistant Examiner—Abraham Bahta

(74) *Attorney, Agent, or Firm*—William Bodnar

(57) **CLAIM**

The ornamental design for a back socket member for a drawer slide system, as shown and described.

DESCRIPTION

FIG. 1 is a front perspective view of a back socket member for a drawer slide system showing the design;

FIG. 2 is a top view thereof;

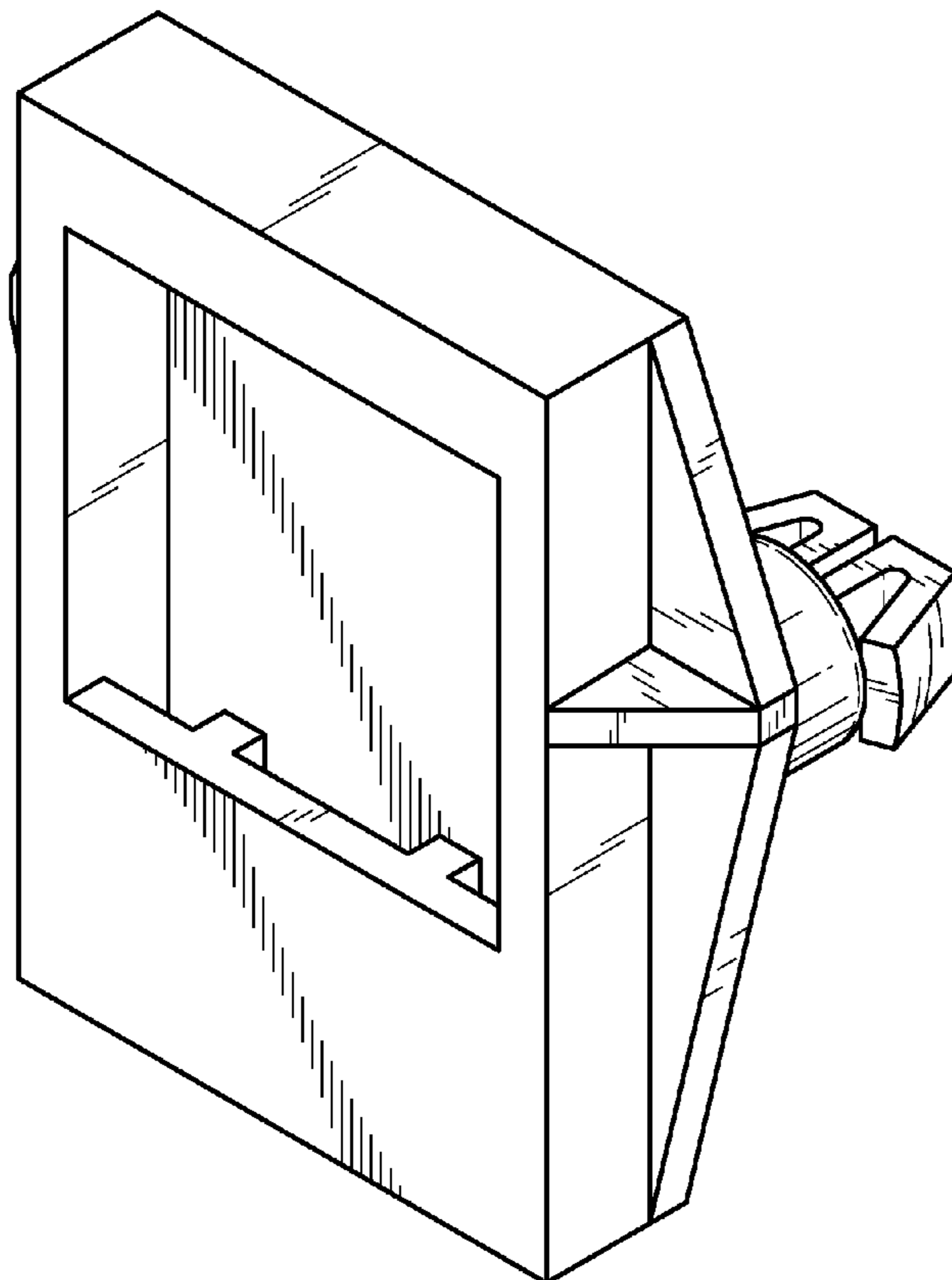
FIG. 3 is a side view thereof;

FIG. 4 is a bottom view thereof;

FIG. 5 is a back side view thereof; and,

FIG. 6 is a front side view thereof.

1 Claim, 3 Drawing Sheets



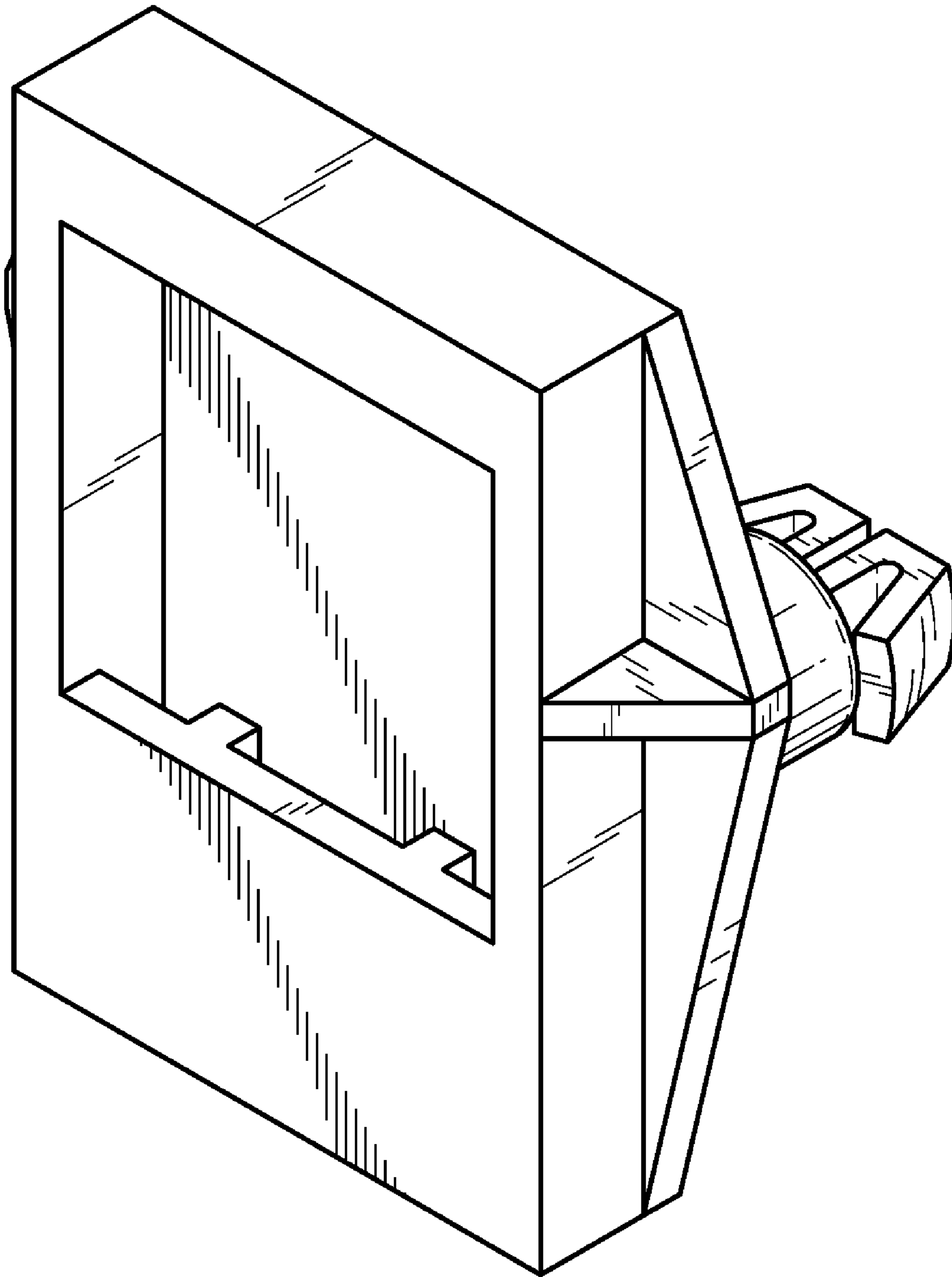


FIG. 1

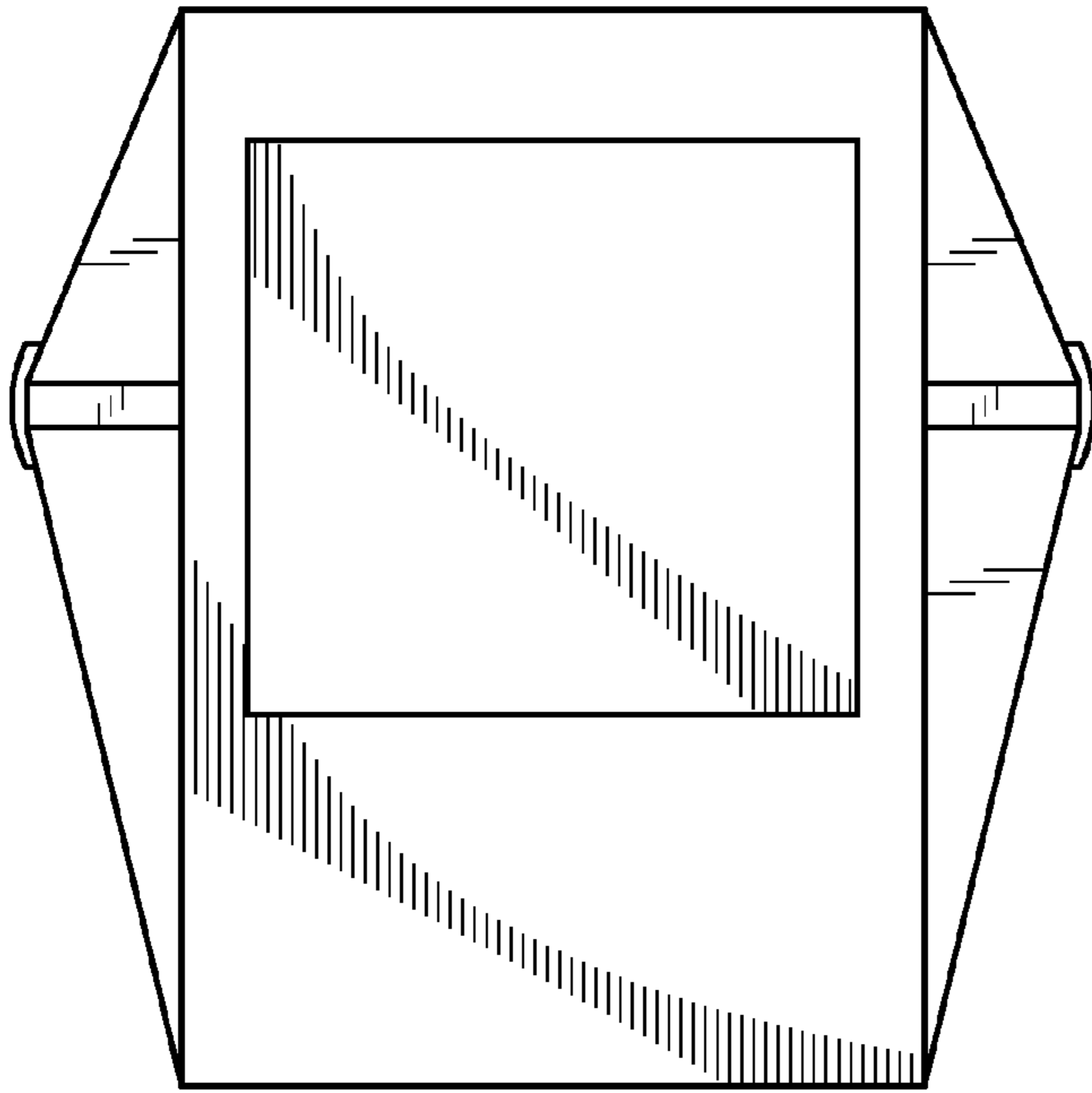


FIG. 2

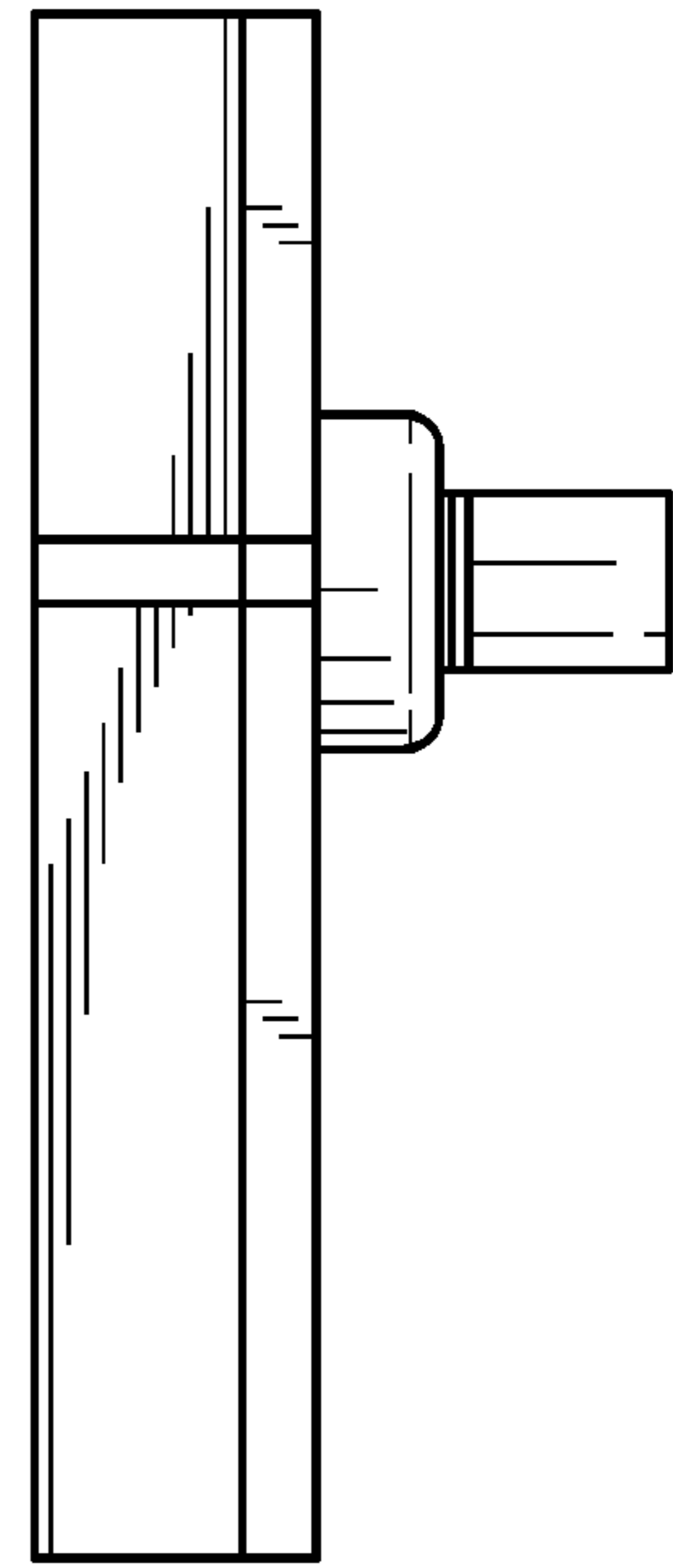


FIG. 3

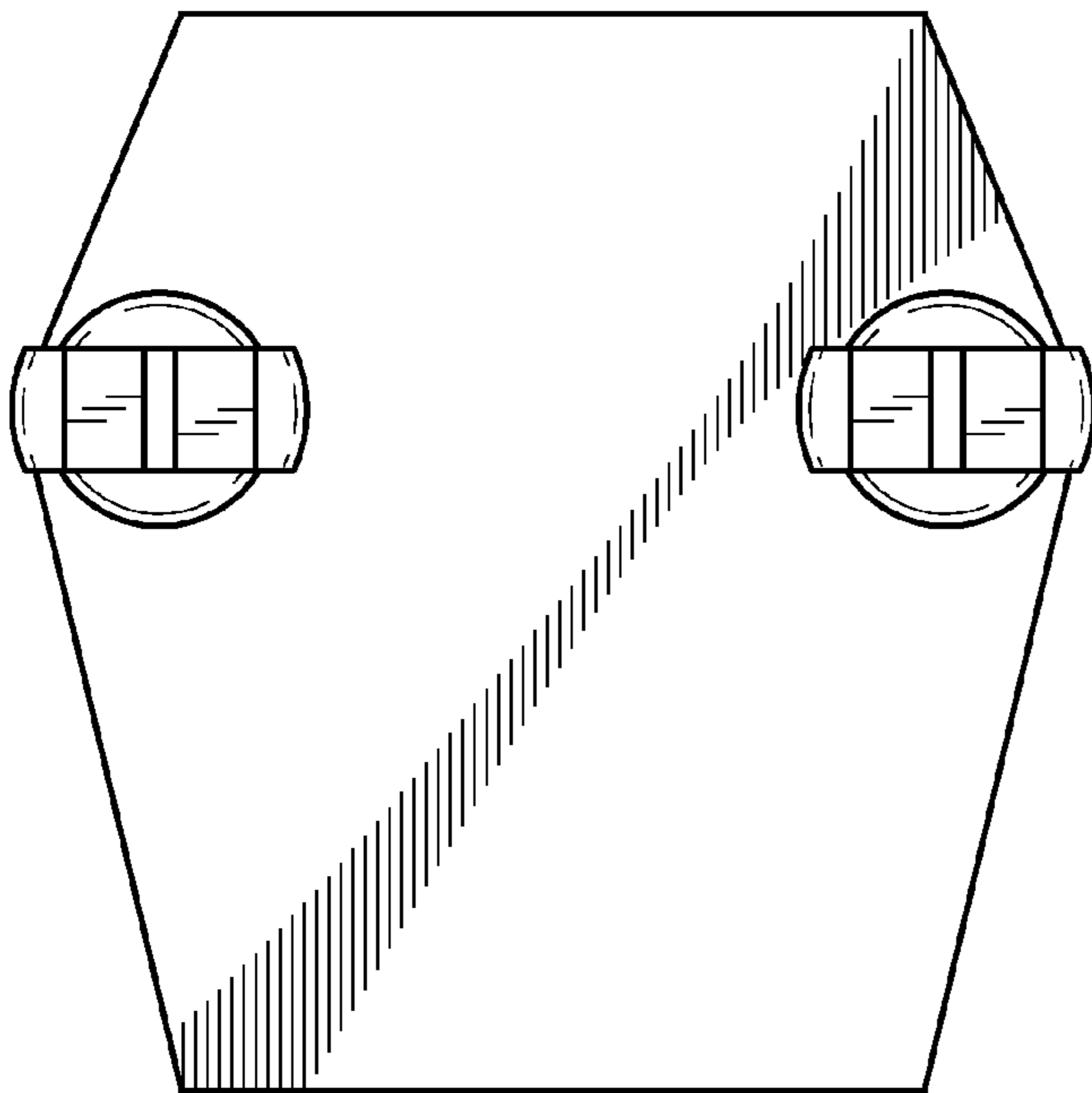


FIG. 4

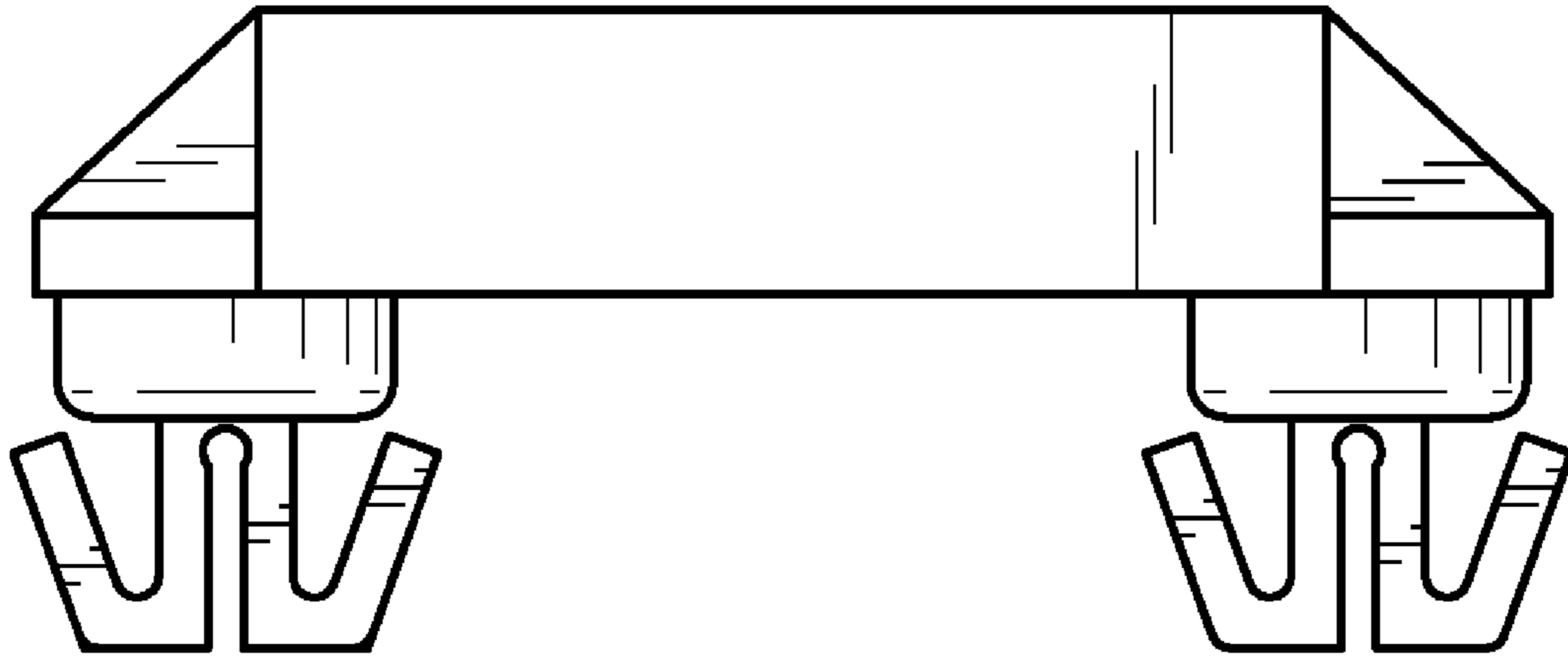


FIG. 5

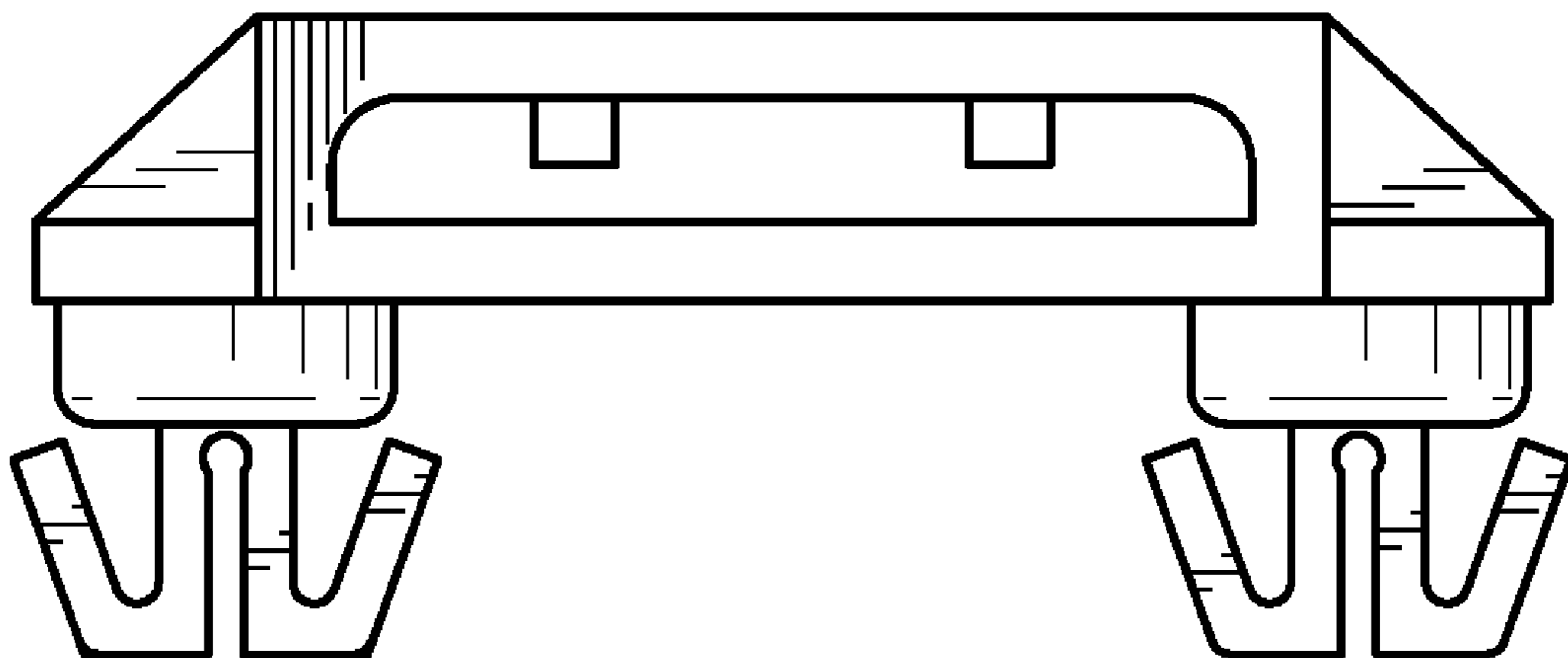


FIG. 6