



US00D606337S

(12) **United States Design Patent**
Lee

(10) **Patent No.:** **US D606,337 S**
(45) **Date of Patent:** **** Dec. 22, 2009**

(54) **TABLE**

D477,475 S * 7/2003 Moore D6/487

(76) Inventor: **Lawrence K. Lee**, 9320 Harwin Dr.,
Houston, TX (US) 77036

(**) Term: **14 Years**

(21) Appl. No.: **29/323,818**

(22) Filed: **Sep. 1, 2008**

(51) **LOC (9) Cl.** **06-03**

(52) **U.S. Cl.** **D6/488; D6/480; D6/349**

(58) **Field of Classification Search** D6/480-489,
D6/495-499, 349, 352; 108/153.1, 155,
108/156, 161, 65, 66, 69, 70, 63, 78; 248/188,
248/188.1, 188.8; 297/461, 462
See application file for complete search history.

(56) **References Cited**

U.S. PATENT DOCUMENTS

- D355,773 S * 2/1995 MacOwan D6/335
- D450,941 S * 11/2001 Spitler D6/349
- D461,342 S * 8/2002 Spitler D6/488
- D467,742 S * 12/2002 de Blois D6/349

OTHER PUBLICATIONS
Sears 1974 Fall winter, p. 1321, Stool #11 at lower right.*
* cited by examiner

Primary Examiner—Janice E Seeger
(74) *Attorney, Agent, or Firm*—Egbert Law Offices PLLC

(57) **CLAIM**

The ornamental design for a table, as shown and described.

DESCRIPTION

FIG. 1 is an upper perspective view of the table showing my design.

FIG. 2 is a front view thereof;

FIG. 3 is a back view thereof;

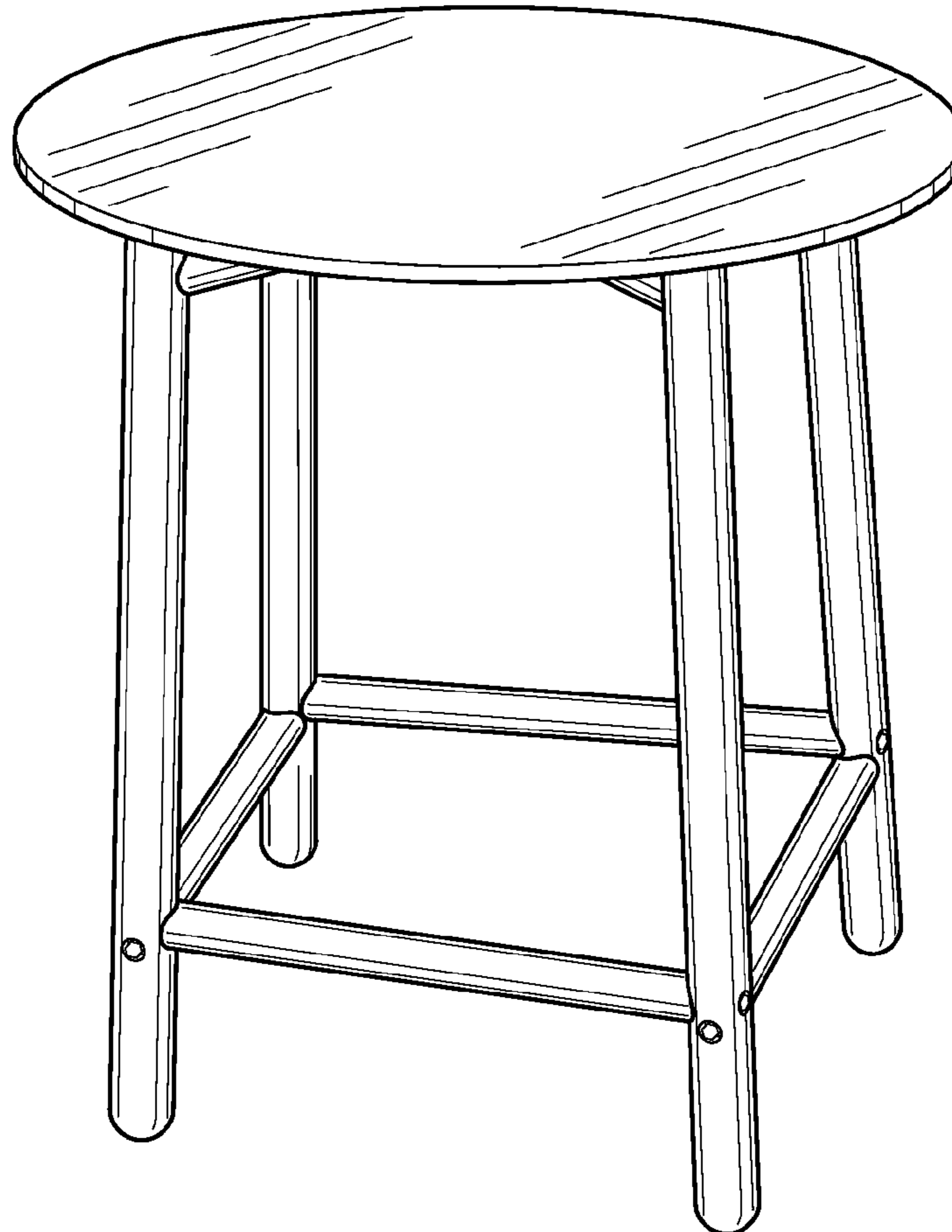
FIG. 4 is a side view thereof;

FIG. 5 is an opposite side view thereof;

FIG. 6 is a top plan view thereof; and,

FIG. 7 is a bottom plan view thereof.

1 Claim, 4 Drawing Sheets



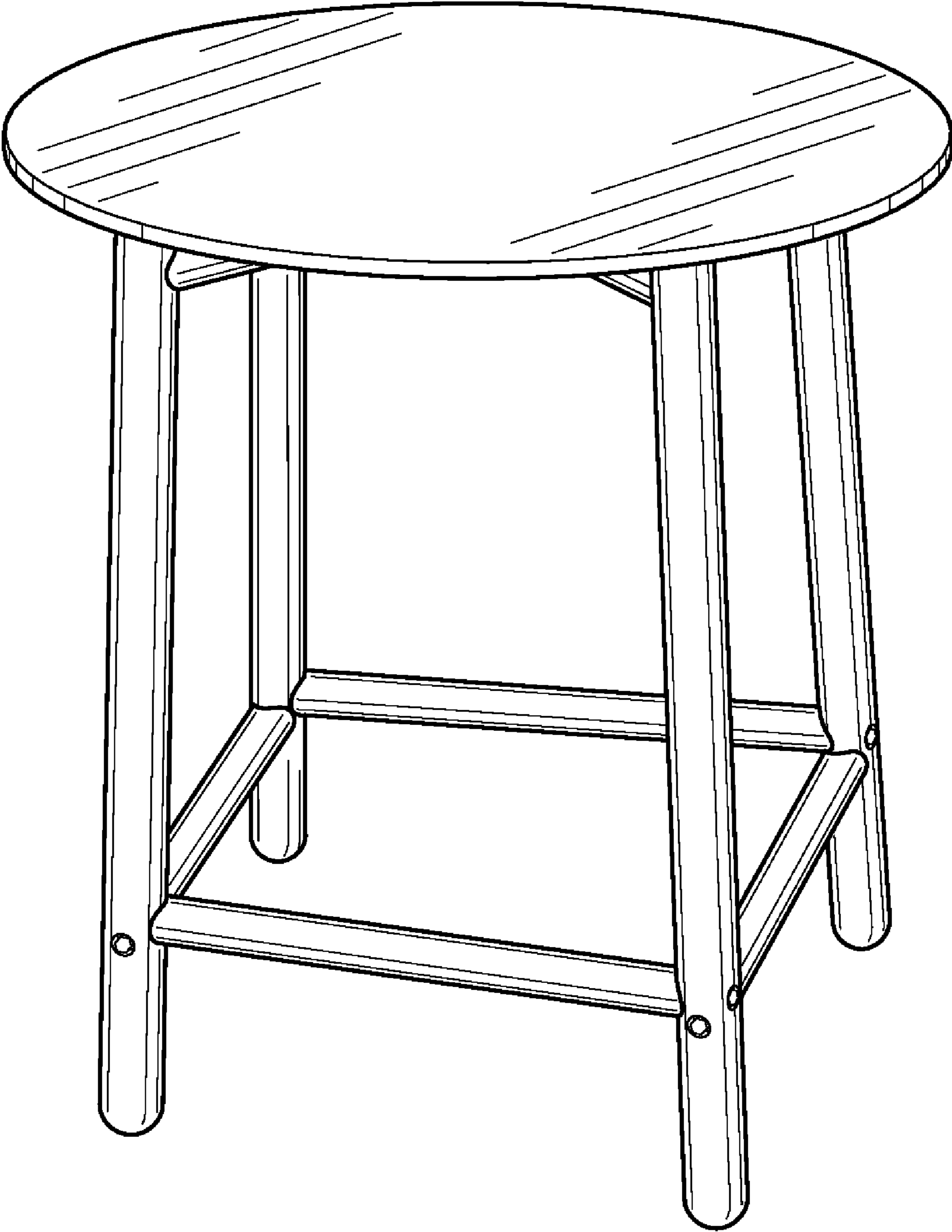


FIG. 1

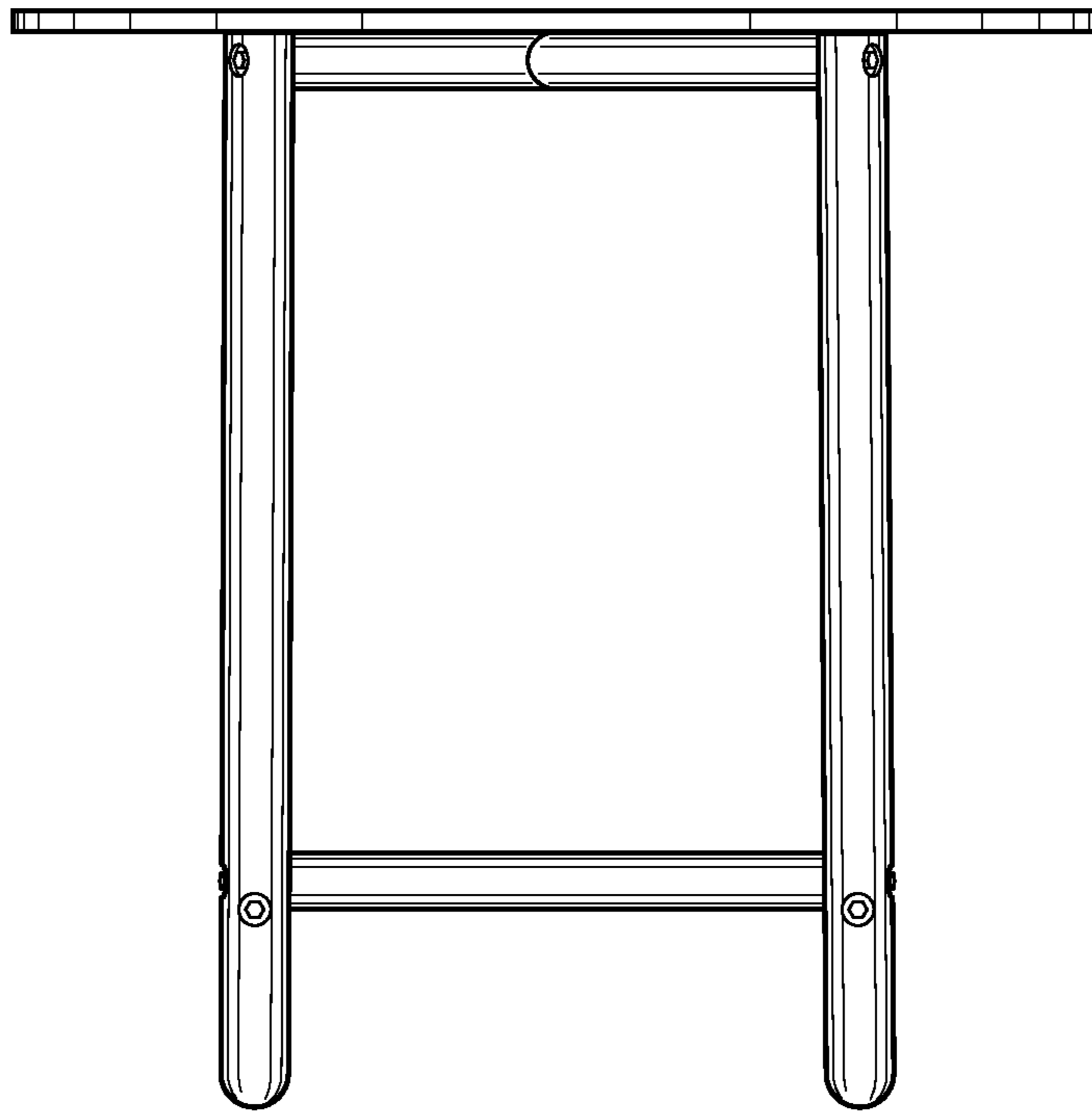


FIG. 2

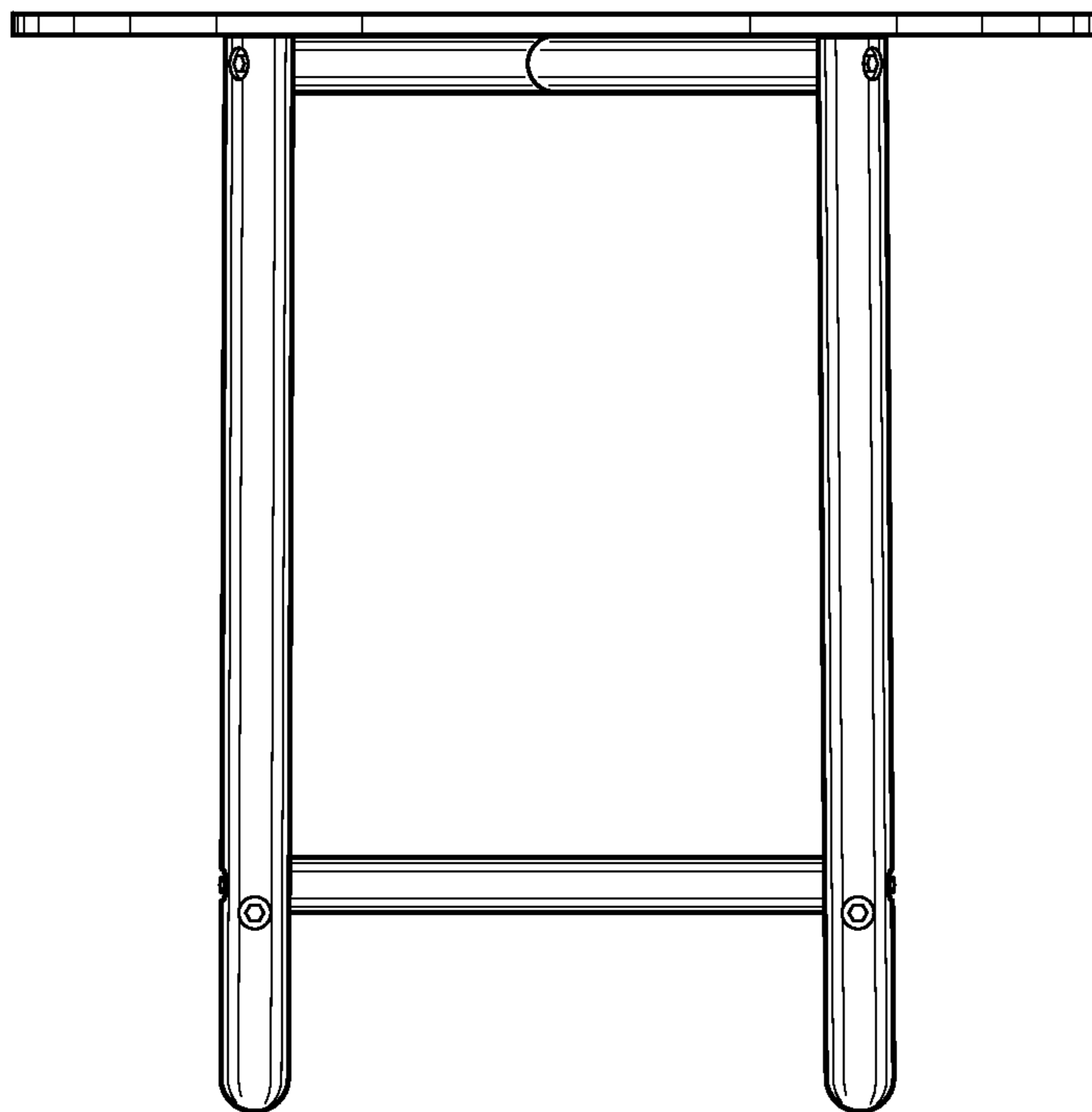


FIG. 3

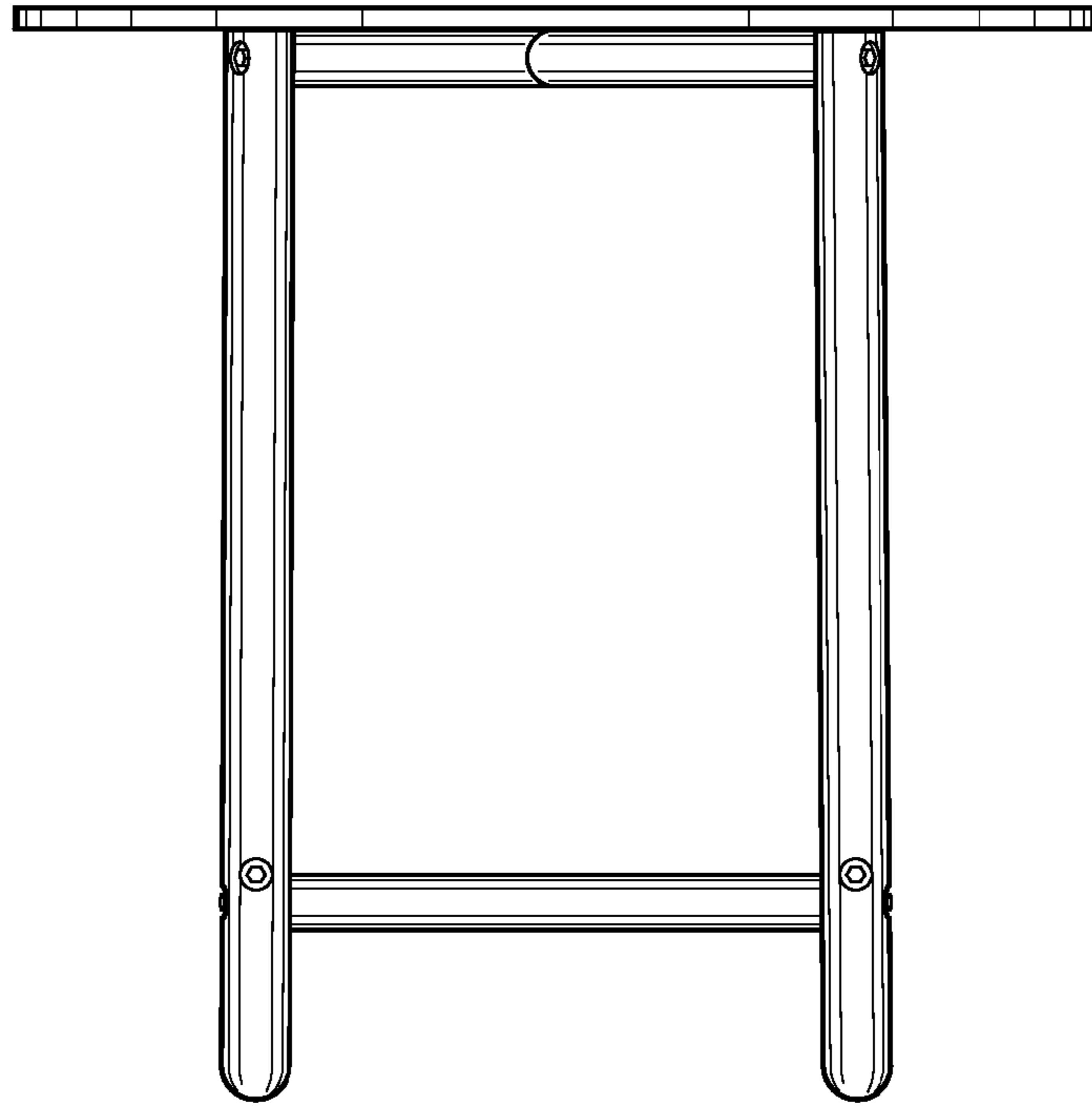


FIG. 4

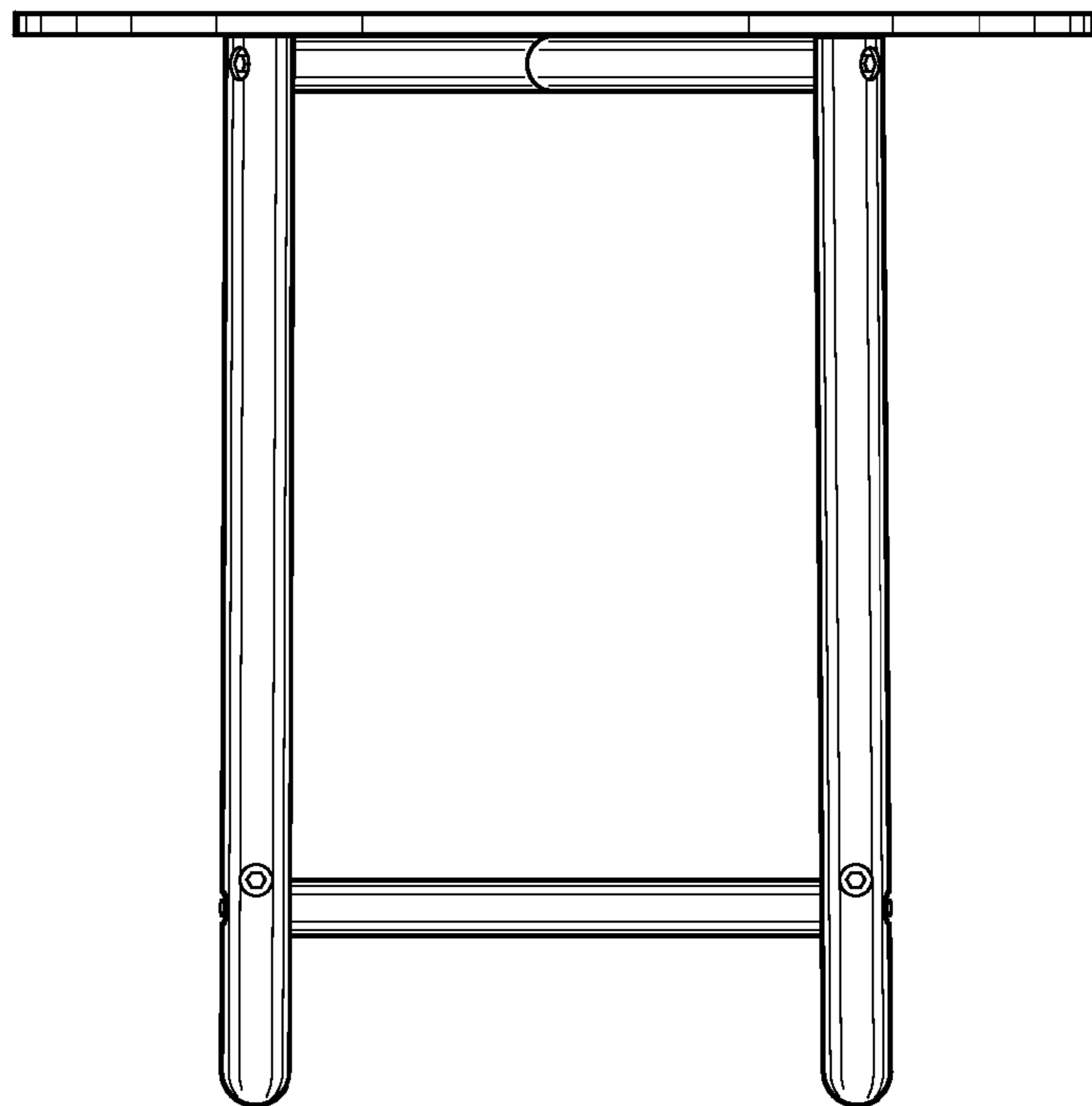


FIG. 5

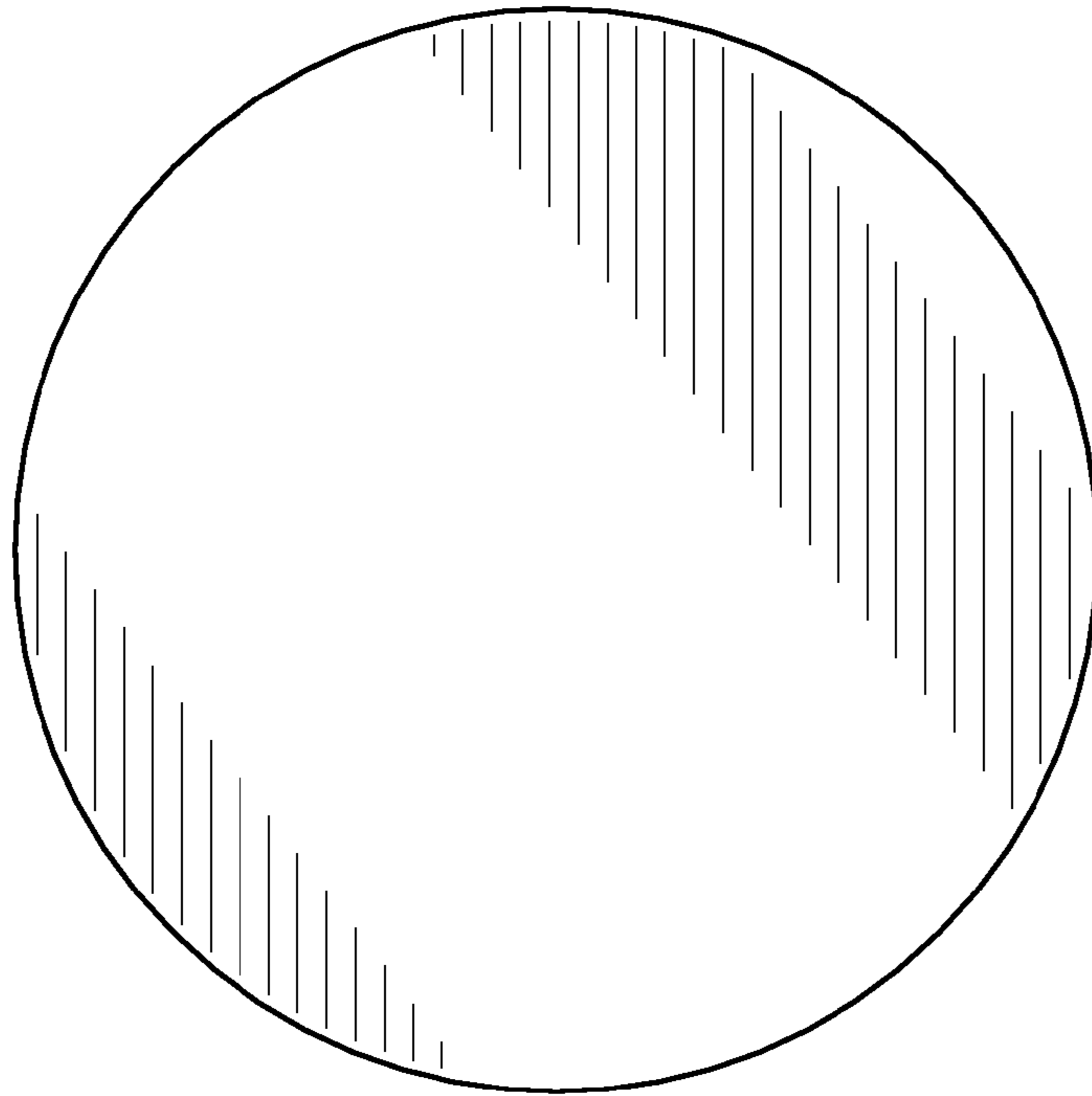


FIG. 6

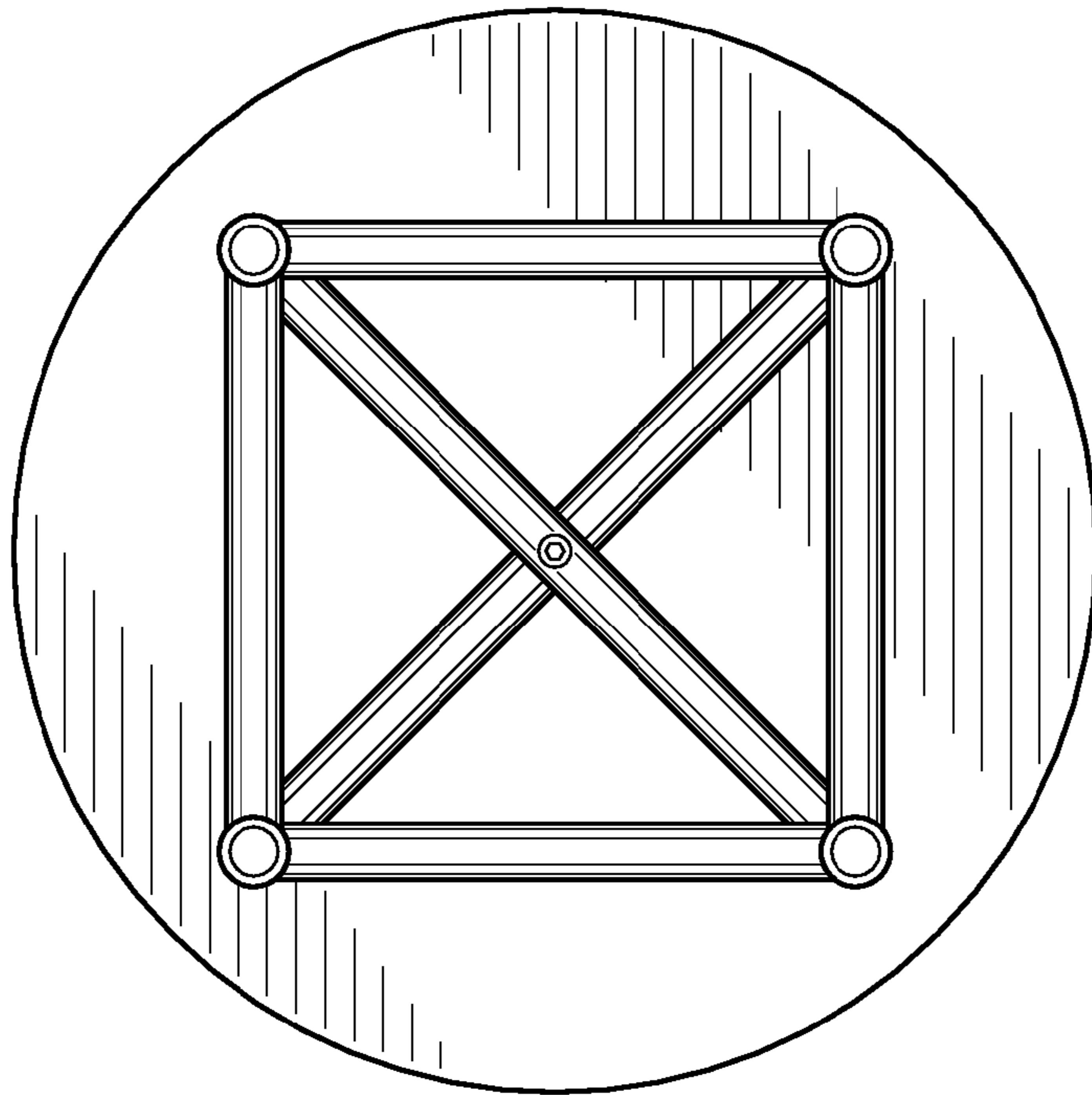


FIG. 7