



US00D606334S

(12) **United States Design Patent**  
**Clark et al.**

(10) **Patent No.:** **US D606,334 S**  
(45) **Date of Patent:** **\*\* Dec. 22, 2009**

(54) **DISPLAY APPARATUS FOR PRODUCTS AND PRODUCT IMAGES**

(75) Inventors: **Jeremy A. Clark**, Minneapolis, MN (US); **Michael A. Whittier**, Minneapolis, MN (US); **David Cheney**, St. Paul, MN (US); **Joseph R. Guggenberger**, Elk River, MN (US)

(73) Assignee: **Target Brands, Inc.**, Minneapolis, MN (US)

(\*\*) Term: **14 Years**

(21) Appl. No.: **29/336,991**

(22) Filed: **May 13, 2009**

(51) **LOC (9) Cl.** ..... **06-07**

(52) **U.S. Cl.** ..... **D6/467; D6/514**

(58) **Field of Classification Search** ..... D6/514,  
D6/461, 411, 513, 553, 567, 457, 467; 206/286,  
206/278; 211/10, 13.1, 85.3, 113; 312/6;  
D3/23

See application file for complete search history.

(56) **References Cited**

**U.S. PATENT DOCUMENTS**

3,942,647	A	3/1976	Crosslen	
3,998,334	A	12/1976	Smith	
4,269,124	A	5/1981	Rosenthal et al.	
D262,666	S *	1/1982	Tager	D3/23
4,723,819	A	2/1988	Ramberg	
D294,441	S *	3/1988	Hoch	D6/461
4,893,727	A	1/1990	Near	
4,913,297	A	4/1990	Wells	
5,067,630	A	11/1991	Nesser et al.	
5,169,027	A	12/1992	Falk et al.	
D337,219	S *	7/1993	Dokoupil et al.	D6/457
5,244,266	A	9/1993	Maldanis	
5,277,486	A	1/1994	Bustos	
5,343,816	A	9/1994	Sideris	

(Continued)

*Primary Examiner*—Caron Veynar  
*Assistant Examiner*—Sydney R Buffalow

(74) *Attorney, Agent, or Firm*—Fish & Richardson P.C.

(57) **CLAIM**

The ornamental design for a display apparatus for products and product images, as shown and described.

**DESCRIPTION**

FIG. 1 is a perspective view of a display apparatus for products and product images.

FIG. 2 is a front elevation view of the display apparatus of FIG. 1.

FIG. 3 is a top plan view of the display apparatus of FIG. 1.

FIG. 4 is a bottom plan view of the display apparatus of FIG. 1.

FIG. 5 is a left elevation view of the display apparatus of FIG. 1.

FIG. 6 is a rear elevation view of the display apparatus of FIG. 1.

FIG. 7 is a right elevation view of the display apparatus of FIG. 1.

FIG. 8 is a perspective view of a display apparatus of FIG. 1 with additional environmental objects shown in broken lines.

FIG. 9 is a front elevation view of the display apparatus of FIG. 8.

FIG. 10 is a top plan view of the display apparatus of FIG. 8.

FIG. 11 is a bottom plan view of the display apparatus of FIG. 8.

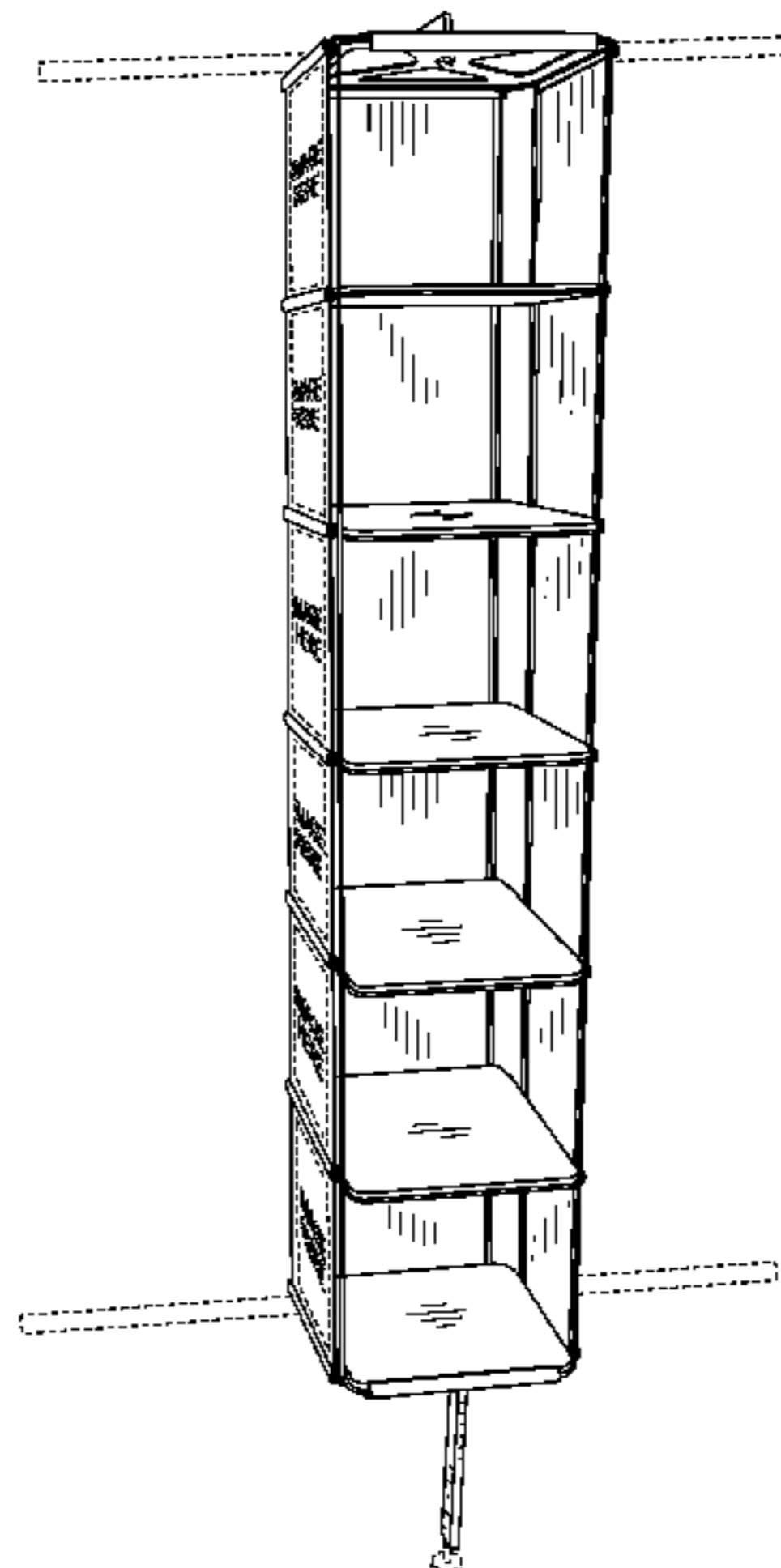
FIG. 12 is a left elevation view of the display apparatus of FIG. 8.

FIG. 13 is a rear elevation view of the display apparatus of FIG. 8; and,

FIG. 14 is a right elevation view of the display apparatus of FIG. 8.

The broken lines are included for illustrative purposes only and form no part of the claimed design.

**1 Claim, 6 Drawing Sheets**



# US D606,334 S

Page 2

---

U.S. PATENT DOCUMENTS					
5,397,005	A	3/1995 Taccolini	7,063,397	B2 *	6/2006 Sabounjian ..... 312/6
5,549,373	A	8/1996 Bustos	D539,580	S *	4/2007 Greiner ..... D6/514
5,567,026	A	10/1996 Lacewell	D540,583	S *	4/2007 Greiner ..... D6/514
D382,747	S *	8/1997 Dickinson et al. .... D6/514	D547,579	S *	7/2007 Greiner et al. .... D6/514
5,901,485	A	5/1999 Kiggins	D551,472	S *	9/2007 Greiner ..... D6/514
6,328,172	B2	12/2001 Alneng	D551,473	S *	9/2007 Greiner ..... D6/514
D462,543	S *	9/2002 Childers ..... D6/461	D566,986	S *	4/2008 Greiner ..... D6/411
D465,363	S *	11/2002 Ong ..... D6/514	D569,666	S *	5/2008 Gusdorf ..... D6/514
			2005/0140253	A1 *	6/2005 Fu ..... 312/6
					* cited by examiner

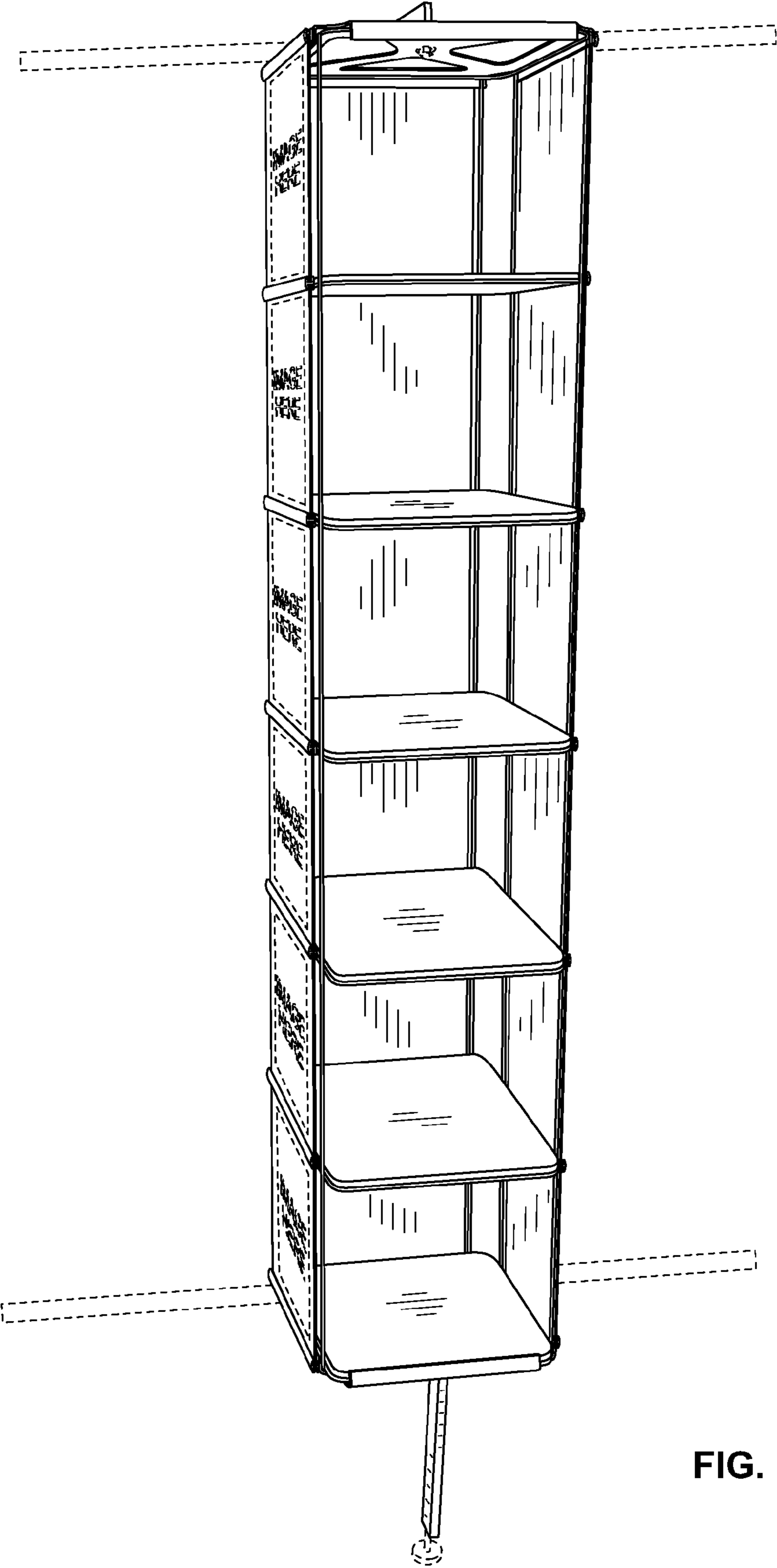
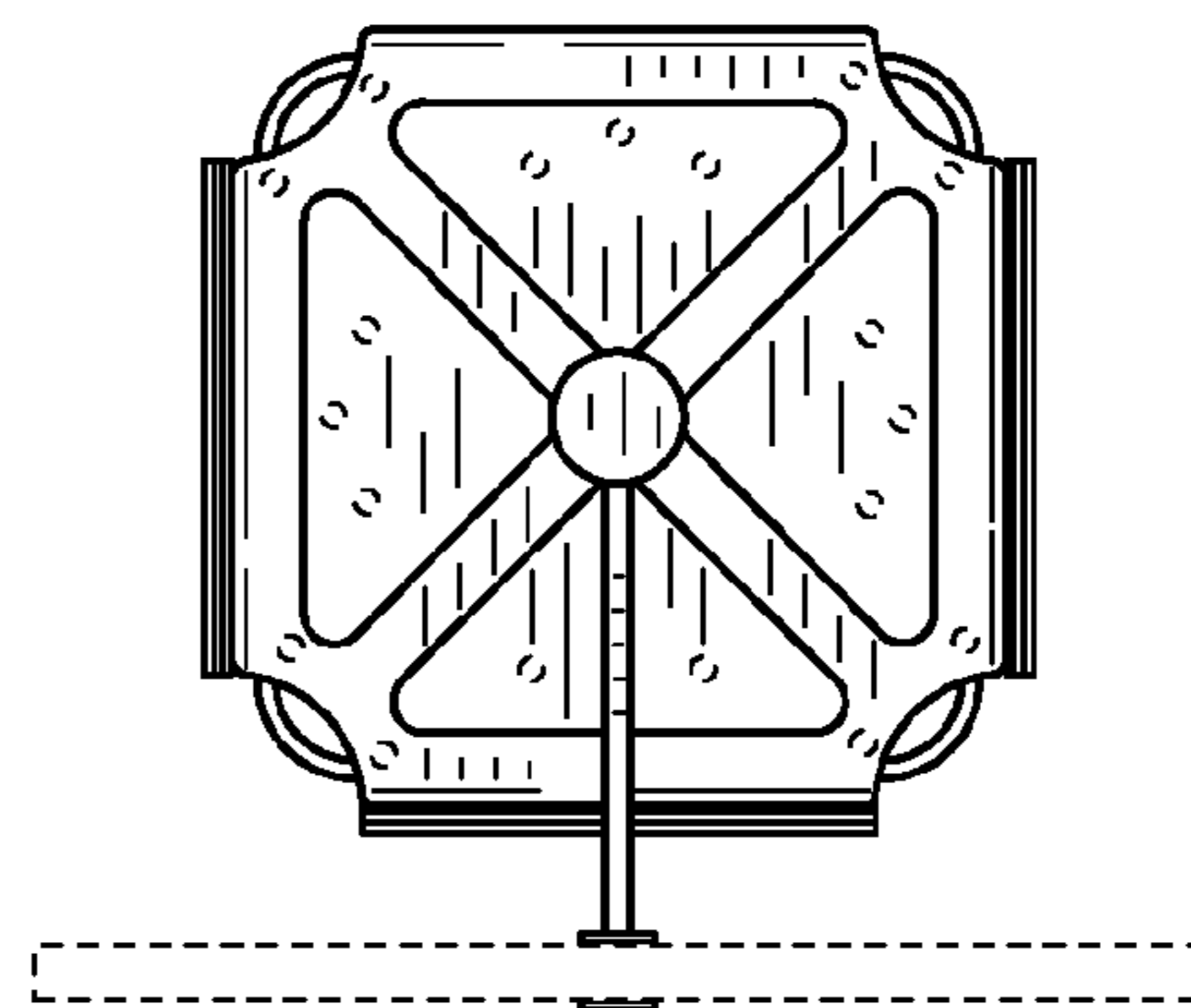
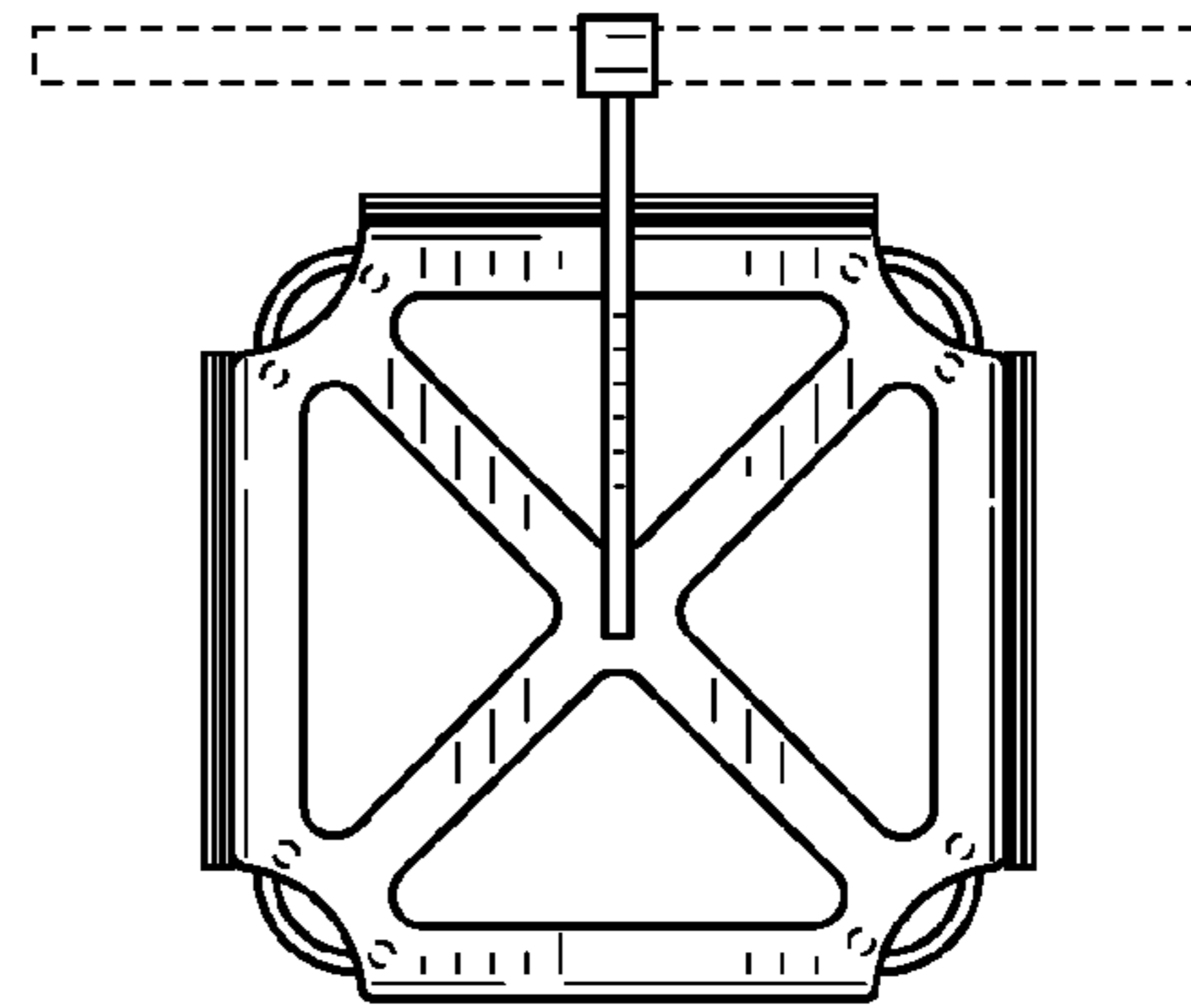
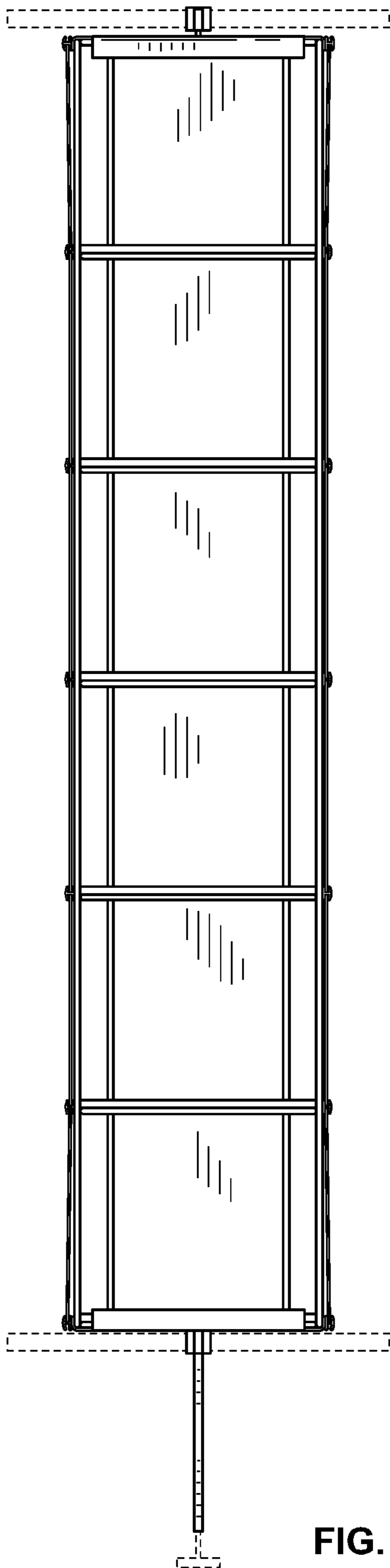


FIG. 1



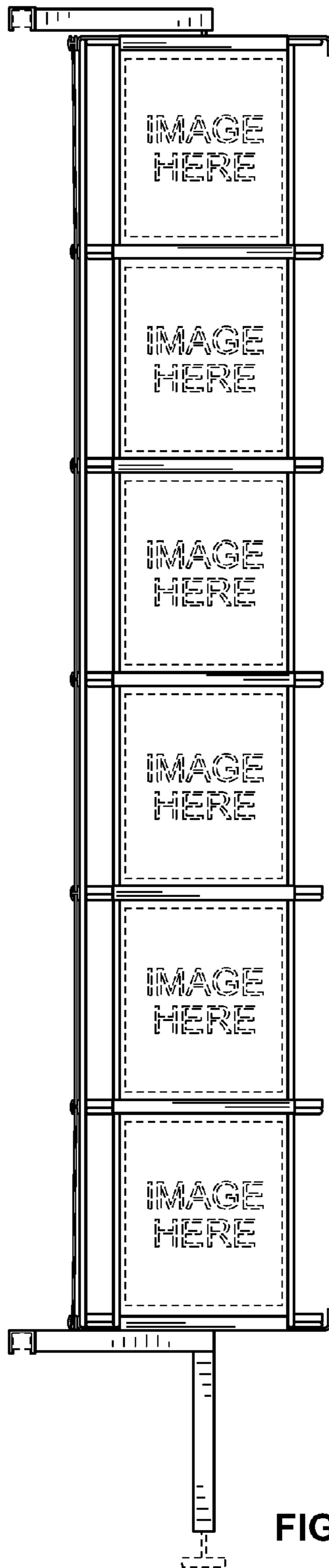


FIG. 5

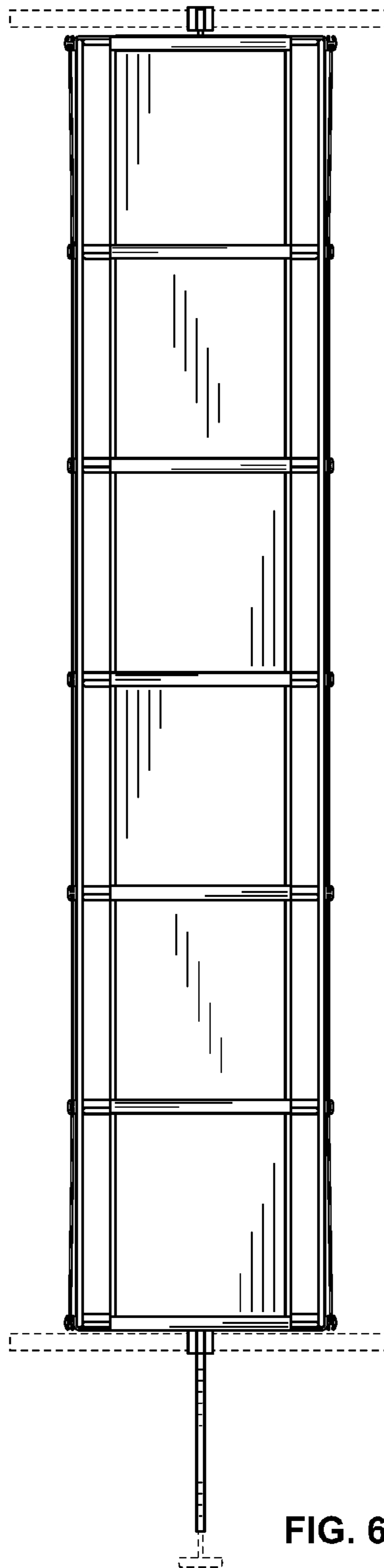


FIG. 6

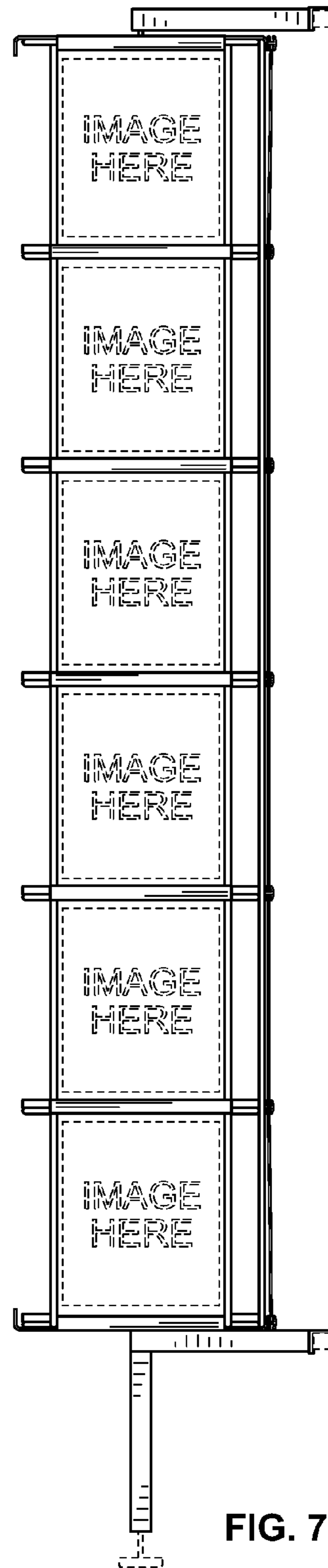


FIG. 7

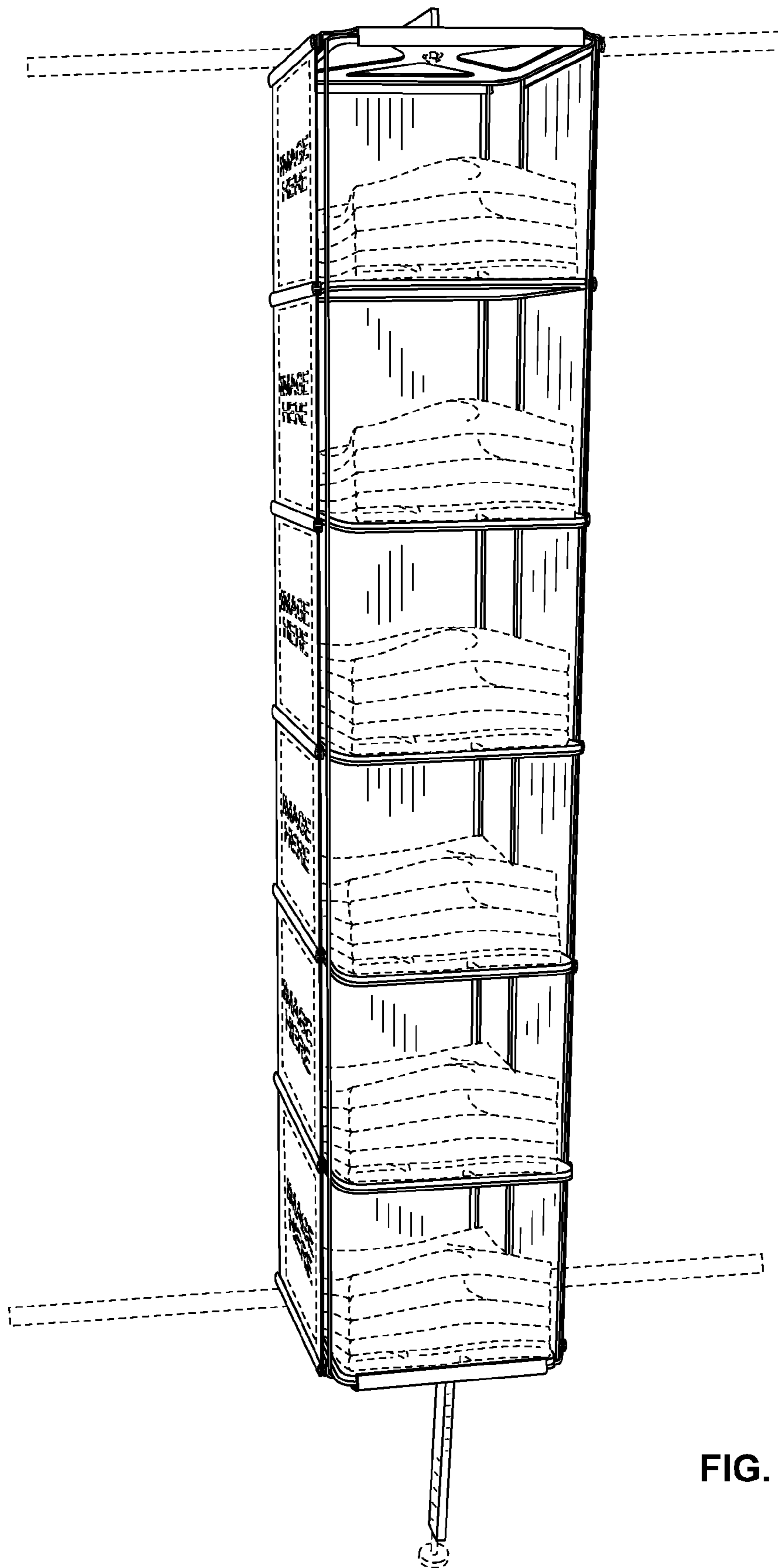


FIG. 8

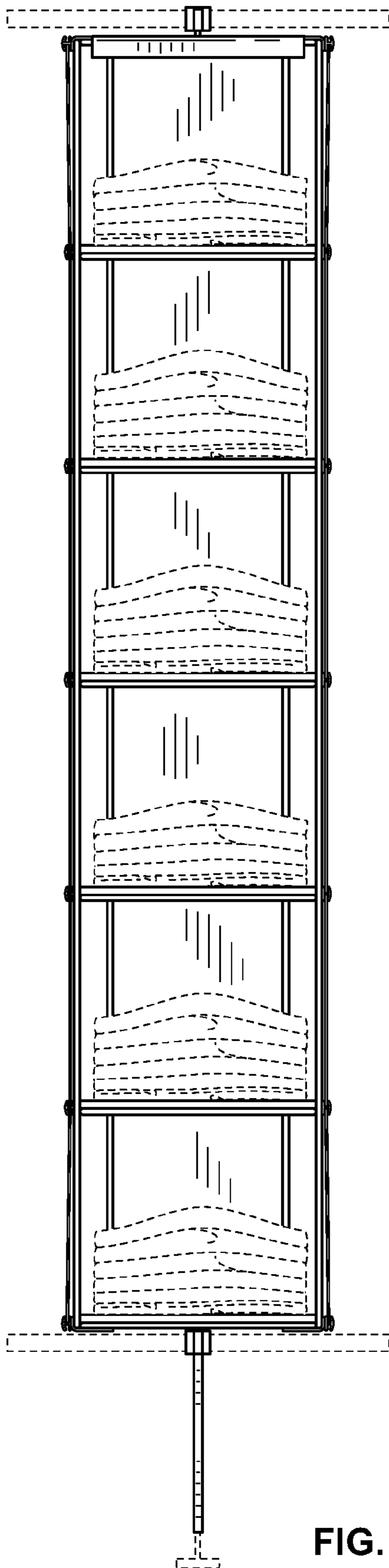


FIG. 9

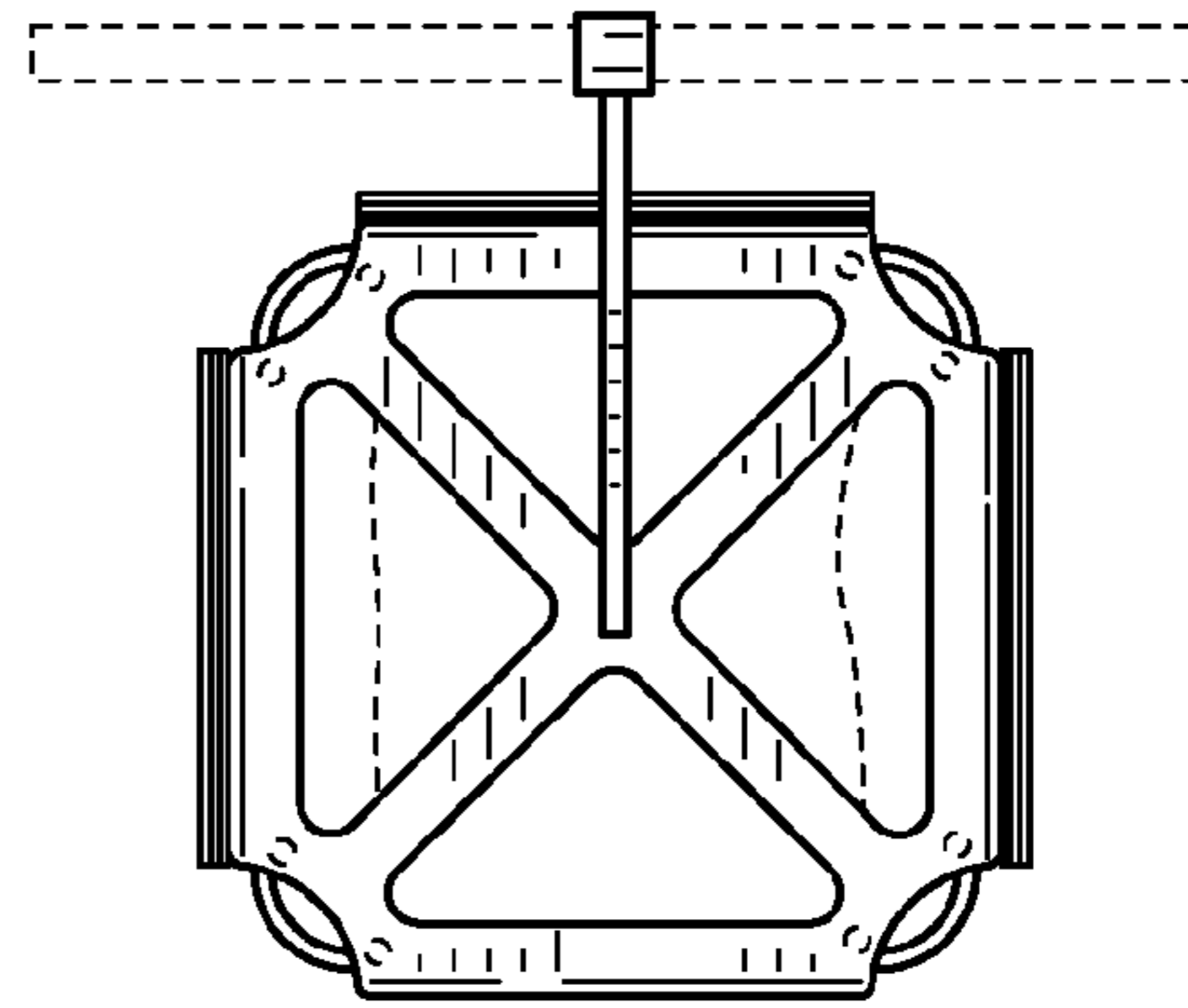


FIG. 10

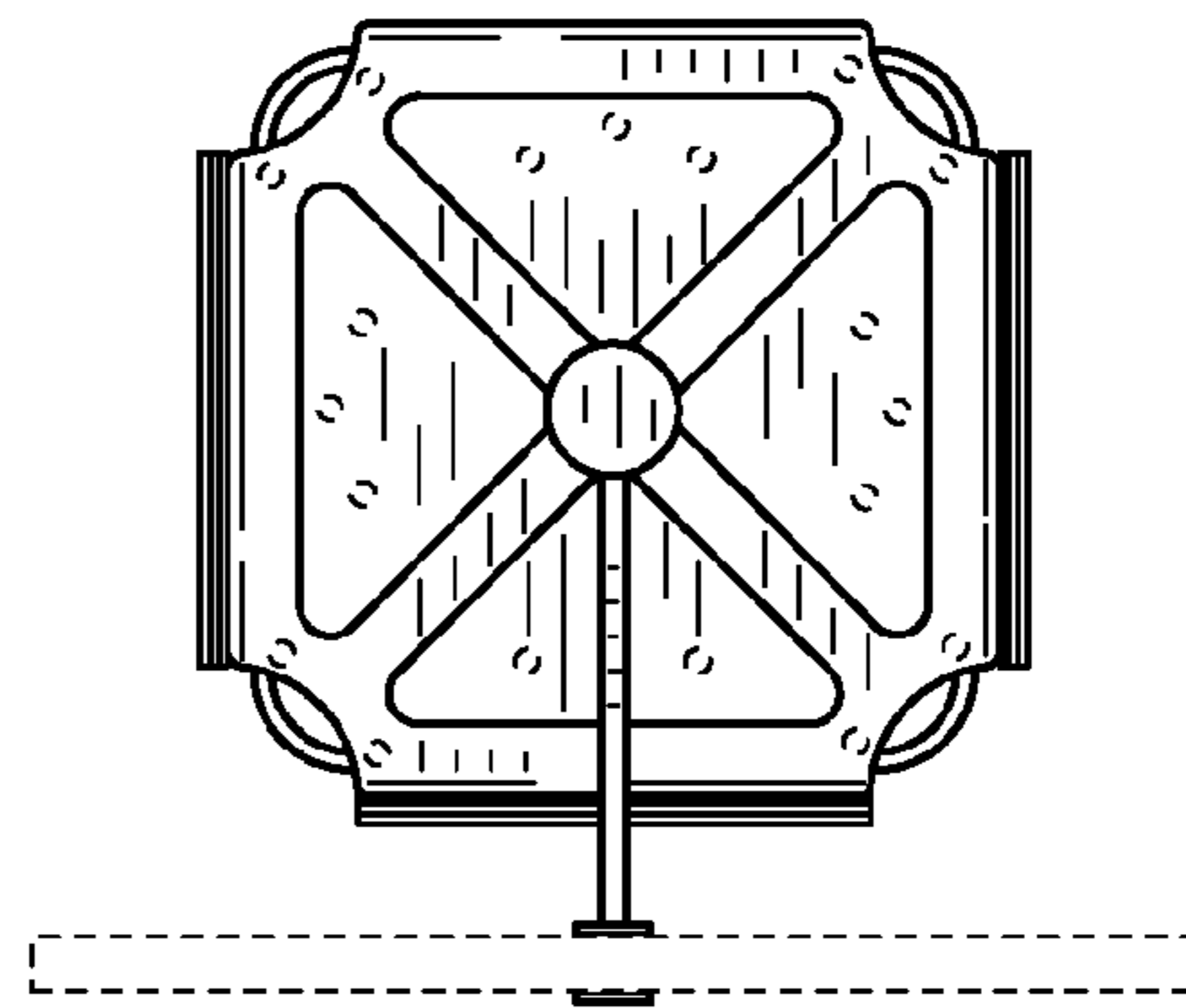


FIG. 11

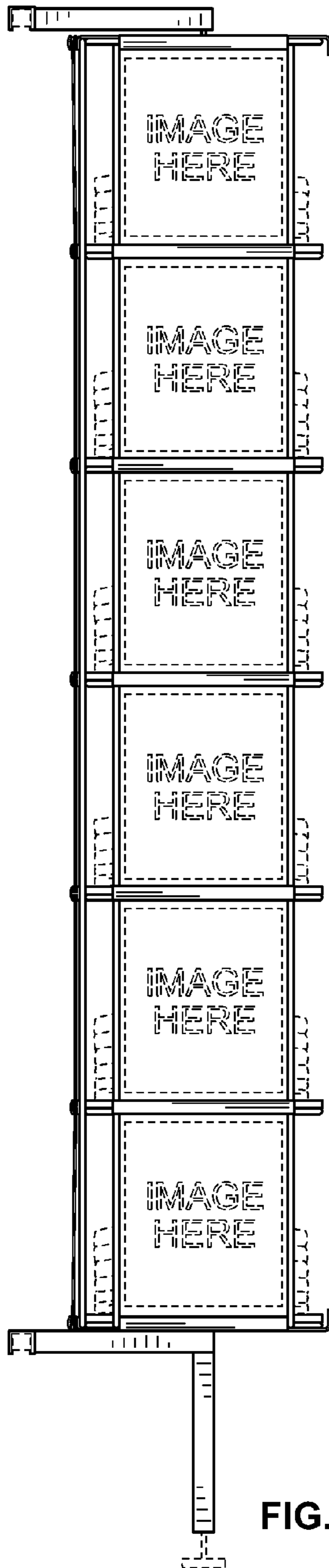


FIG. 12

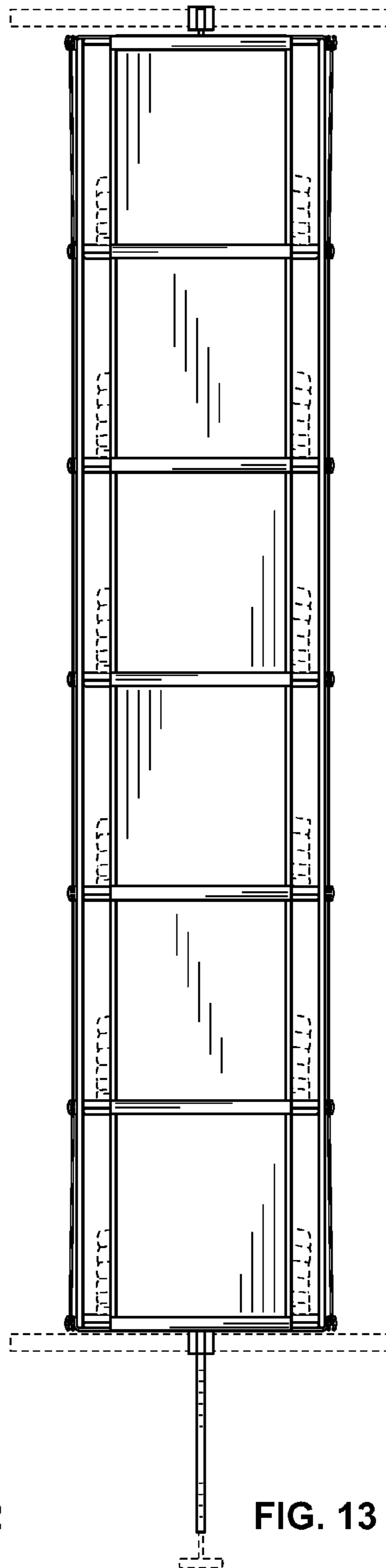


FIG. 13

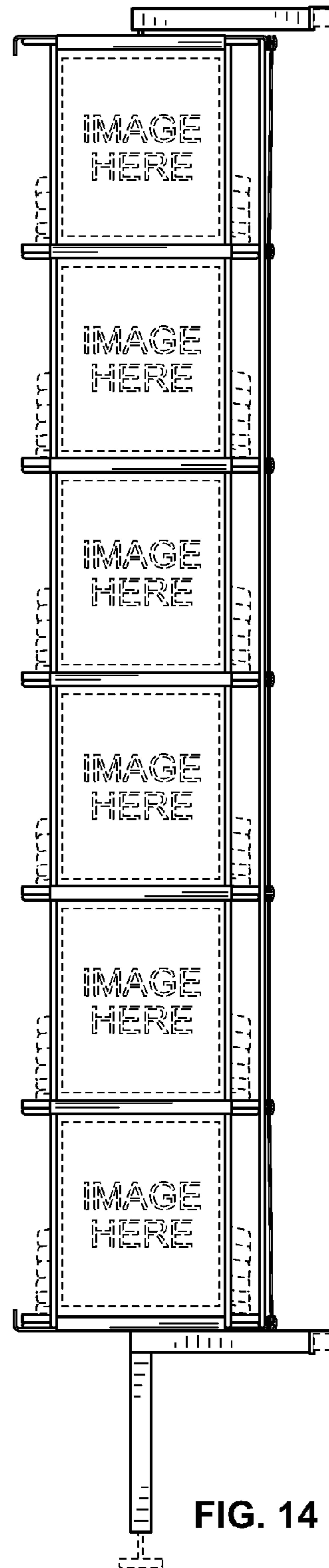


FIG. 14