

US00D606330S

(12) **United States Design Patent**
Gharst

(10) **Patent No.:** **US D606,330 S**

(45) **Date of Patent:** **** *Dec. 22, 2009**

(54) **TRIPLE POSITION UMBRELLA STAND**

(75) Inventor: **Gregory Gharst**, Vista, CA (US)

(73) Assignee: **Taag Industries Corp.**, Vista, CA (US)

(*) Notice: This patent is subject to a terminal disclaimer.

(**) Term: **14 Years**

(21) Appl. No.: **29/267,084**

(22) Filed: **Oct. 3, 2006**

(51) **LOC (9) Cl.** **06-06**

(52) **U.S. Cl.** **D6/416**

(58) **Field of Classification Search** D6/449,
D6/455, 457, 470, 472, 475, 416, 417, 462,
D6/464-465, 474, 537, 562, 566, 567, 574,
D6/304-306, 468, 44, 436, 478, 467, 396,
D6/397, 479, 477, 466, 473, 463; 108/91-93,
108/107, 144.11, 149, 59, 161, 111, 2, 108;
248/156, 153, 235, 243; 312/107, 114, 117,
312/138.1, 204, 234; 52/165, 166; 211/59.4,
211/85.1, 135, 163, 69, 85.5, 85.2, 13.1,
211/153, 186-190, 194, 85.3, 86.01, 87.01,
211/90.01, 90.03, 134, 181.1; D3/10

See application file for complete search history.

(56) **References Cited**

U.S. PATENT DOCUMENTS

D168,856 S * 2/1953 Peyser D6/416
2,940,606 A * 6/1960 Kurnitz 211/183
D329,761 S * 9/1992 Pieper D6/416

5,219,080 A * 6/1993 Reyes 211/196
5,232,101 A * 8/1993 Shaftner et al. 211/14
5,248,048 A * 9/1993 Dore 211/74
D360,782 S * 8/1995 Wright D6/467
D364,983 S * 12/1995 Crofoot D6/553
D412,505 S * 8/1999 Matsuoka D14/213
D464,499 S * 10/2002 Gharst D6/416

OTHER PUBLICATIONS

U.S. Appl. No. 29/145,226, filed Oct. 22, 2002, Gharst, Gregory.

* cited by examiner

Primary Examiner—Caron Veynar

Assistant Examiner—Katrina A Kile

(74) *Attorney, Agent, or Firm*—Gary L. Eastman, Esq.

(57) **CLAIM**

The ornamental design for a triple position umbrella stand, as shown and described.

DESCRIPTION

FIG. 1 is a perspective view of a triple position umbrella stand of the present design;

FIG. 2 is a top view thereof;

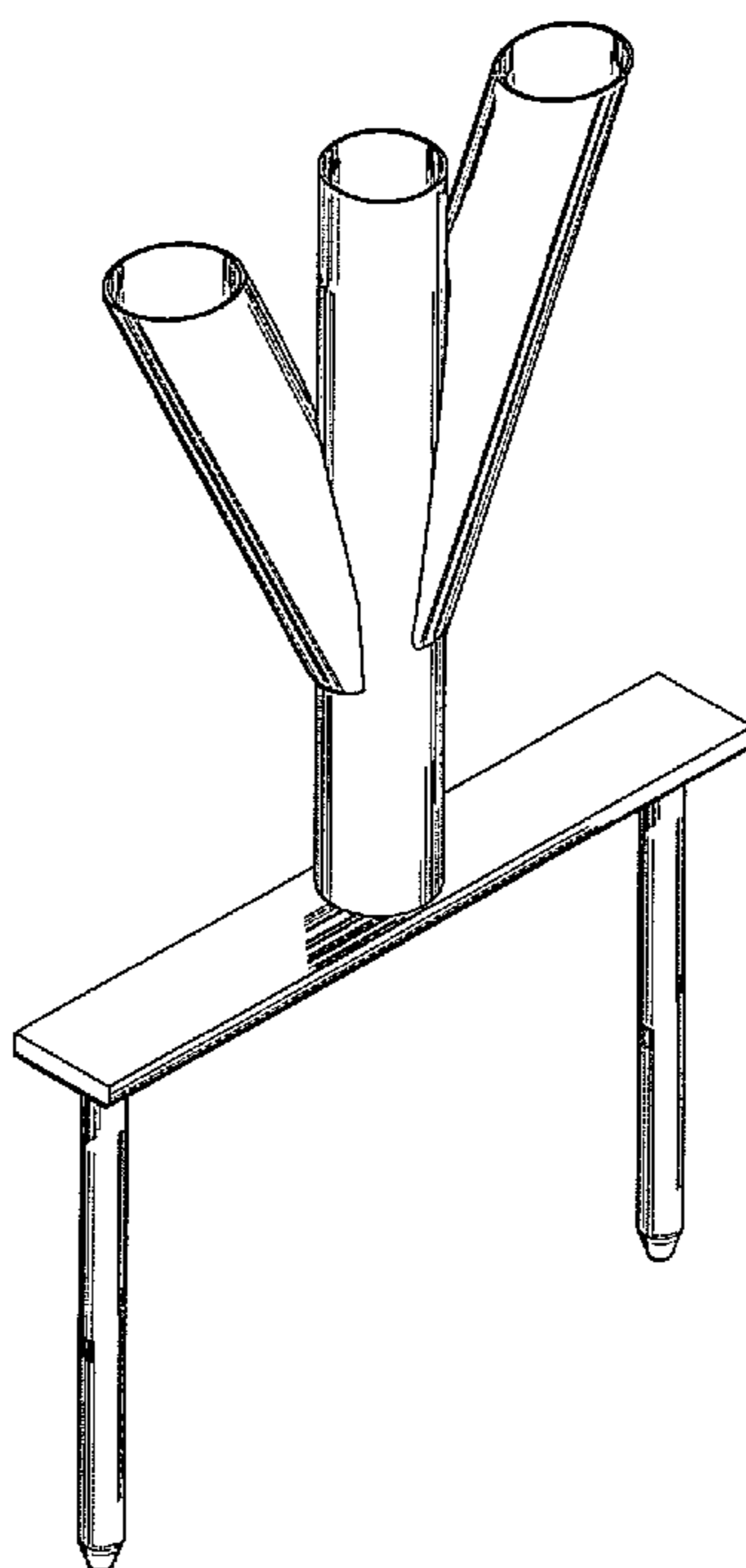
FIG. 3 is a front view, the back view being a mirror image thereof;

FIG. 4 is a bottom view thereof; and,

FIG. 5 is a right side view, the left side view being a mirror image thereof.

The back view is a mirror image of FIG. 3, and the left side view is a mirror image of FIG. 5.

1 Claim, 2 Drawing Sheets



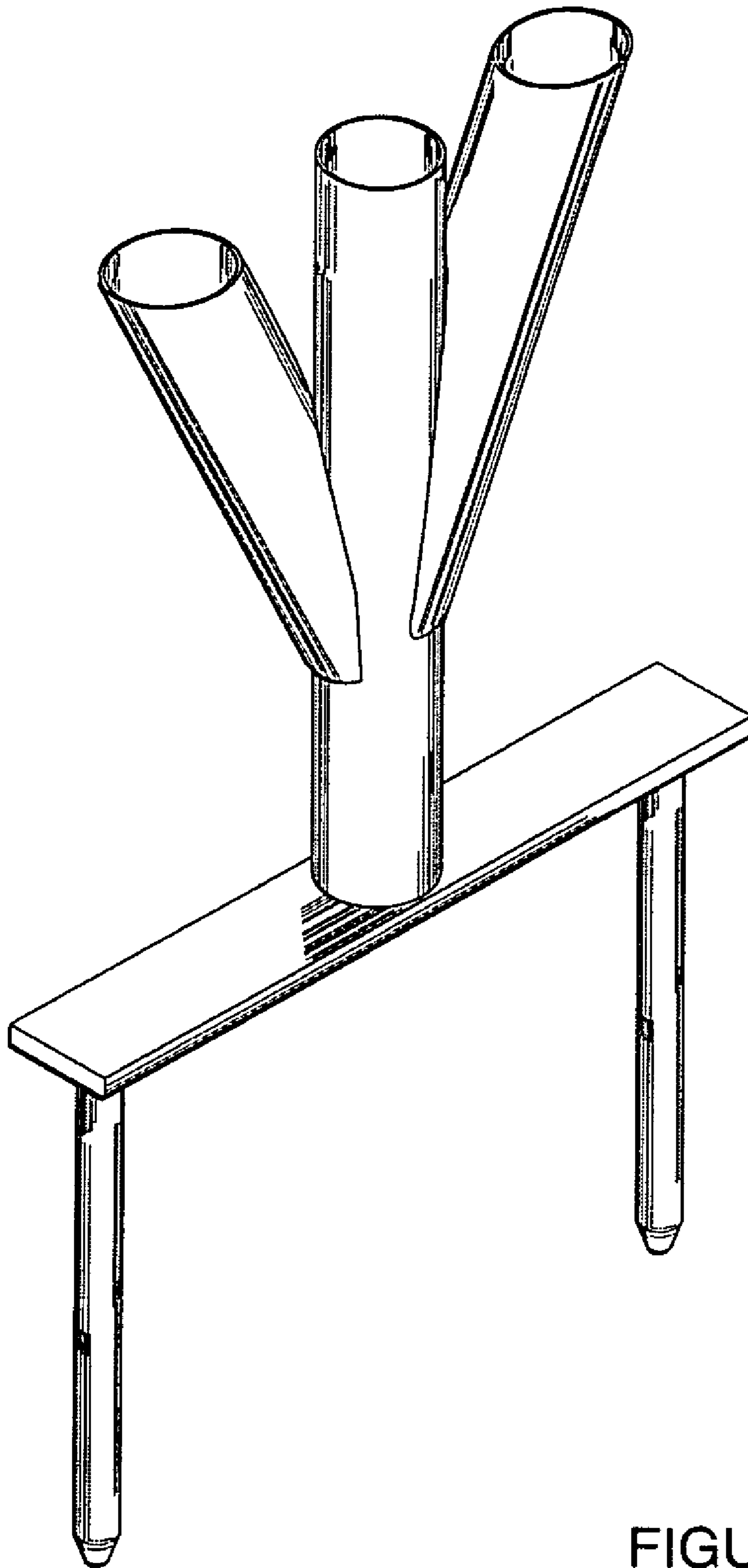


FIGURE 1



FIGURE 2

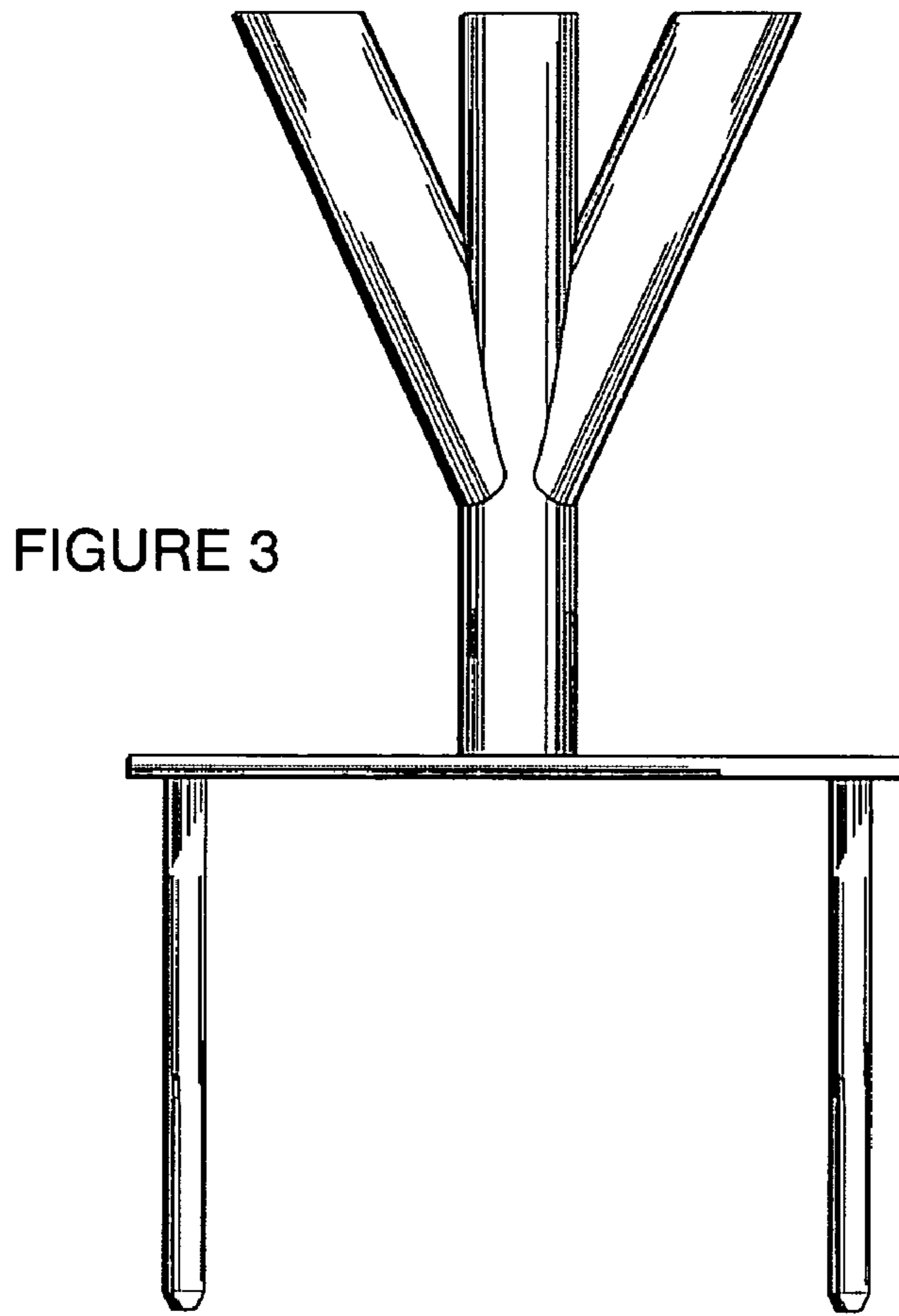


FIGURE 3



FIGURE 4

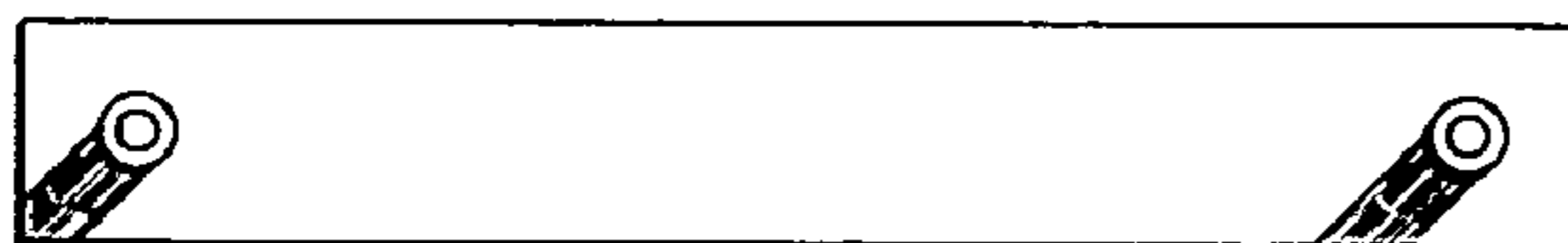


FIGURE 5