



US00D606328S

(12) **United States Design Patent**
Clayton

(10) **Patent No.:** **US D606,328 S**

(45) **Date of Patent:** **** Dec. 22, 2009**

(54) **LOUNGE CHAIR AND TOWEL WITH MATCHING FACE APERTURES**

(76) Inventor: **Randell Clayton**, 7524 N. Tullis Ave.,
Kansas City, MO (US) 64158

(**) Term: **14 Years**

(21) Appl. No.: **29/336,106**

(22) Filed: **Apr. 28, 2009**

(51) **LOC (9) Cl.** **06-01**

(52) **U.S. Cl.** **D6/361; D6/370**

(58) **Field of Classification Search** D6/334-336,
D6/360, 361, 367, 368, 370, 373, 374, 375,
D6/379, 380, 392, 500-502; 297/219.1,
297/423.1, 440.11, 452.17, 452.63, 900;
5/417, 419, 110, 111, 638, 656, 725

See application file for complete search history.

(56) **References Cited**

U.S. PATENT DOCUMENTS

3,897,102	A *	7/1975	Lemaire	5/656
4,606,086	A *	8/1986	Rowland	5/111
4,891,854	A	1/1990	Finkelstein		
D335,397	S *	5/1993	Fox	D6/361
5,237,713	A	8/1993	Prager		
5,624,157	A	4/1997	Kostuk		
D381,524	S *	7/1997	Gabriel	D6/361
D381,824	S *	8/1997	Day et al.	D6/361
D400,722	S *	11/1998	Luther	D6/361
5,829,080	A *	11/1998	Robillard et al.	5/638
5,950,259	A *	9/1999	Boggs	5/111

6,068,342	A *	5/2000	Mariani et al.	297/219.1
D445,576	S *	7/2001	Hanson	D6/361
D486,969	S *	2/2004	Weaver	D6/361
6,938,287	B1 *	9/2005	Mahshie	5/111
D527,554	S *	9/2006	Jones	D6/500
7,231,677	B1 *	6/2007	Reeves	5/419
2004/0108757	A1 *	6/2004	Jackson et al.	297/900
2005/0262641	A1 *	12/2005	Maslyar	5/656
2006/0005313	A1 *	1/2006	Fluellen	5/638

* cited by examiner

Primary Examiner—Mimosa De

(74) *Attorney, Agent, or Firm*—Crossley Patent Law; Mark A. Crossley

(57) **CLAIM**

The ornamental design for a lounge chair and towel with matching face apertures, as shown and described.

DESCRIPTION

FIG. 1 is a top plan view of a lounge chair and towel with matching face apertures showing my new design with the towel separated from the chair for clarity;

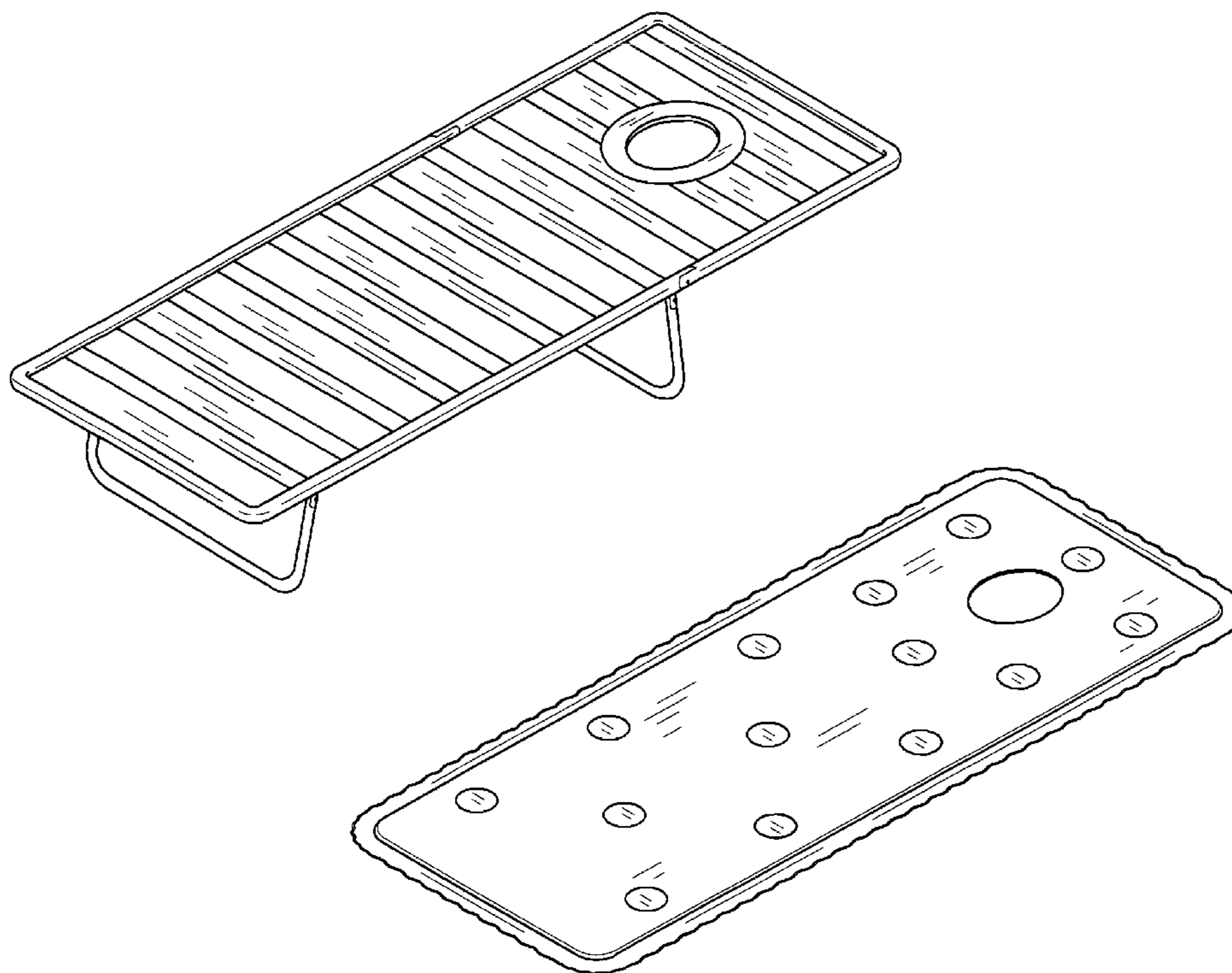
FIG. 2 is a bottom plan view thereof;

FIG. 3 is a right elevation view thereof, the opposite side being a mirror image of the shown;

FIG. 4 is a front elevation view thereof, the opposite end being a mirror image of the shown; and,

FIG. 5 is an isometric view thereof.

1 Claim, 5 Drawing Sheets



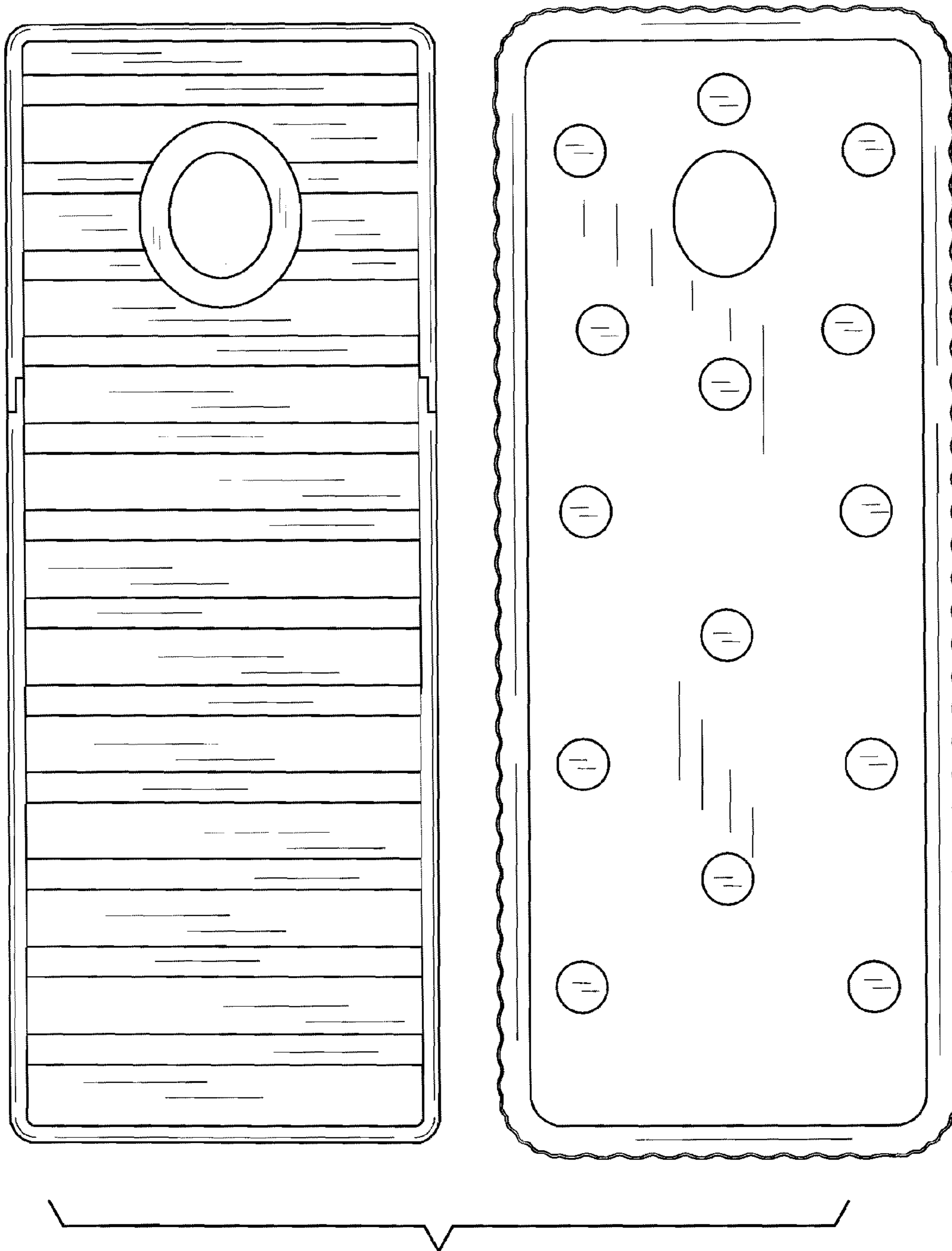


FIG. 1

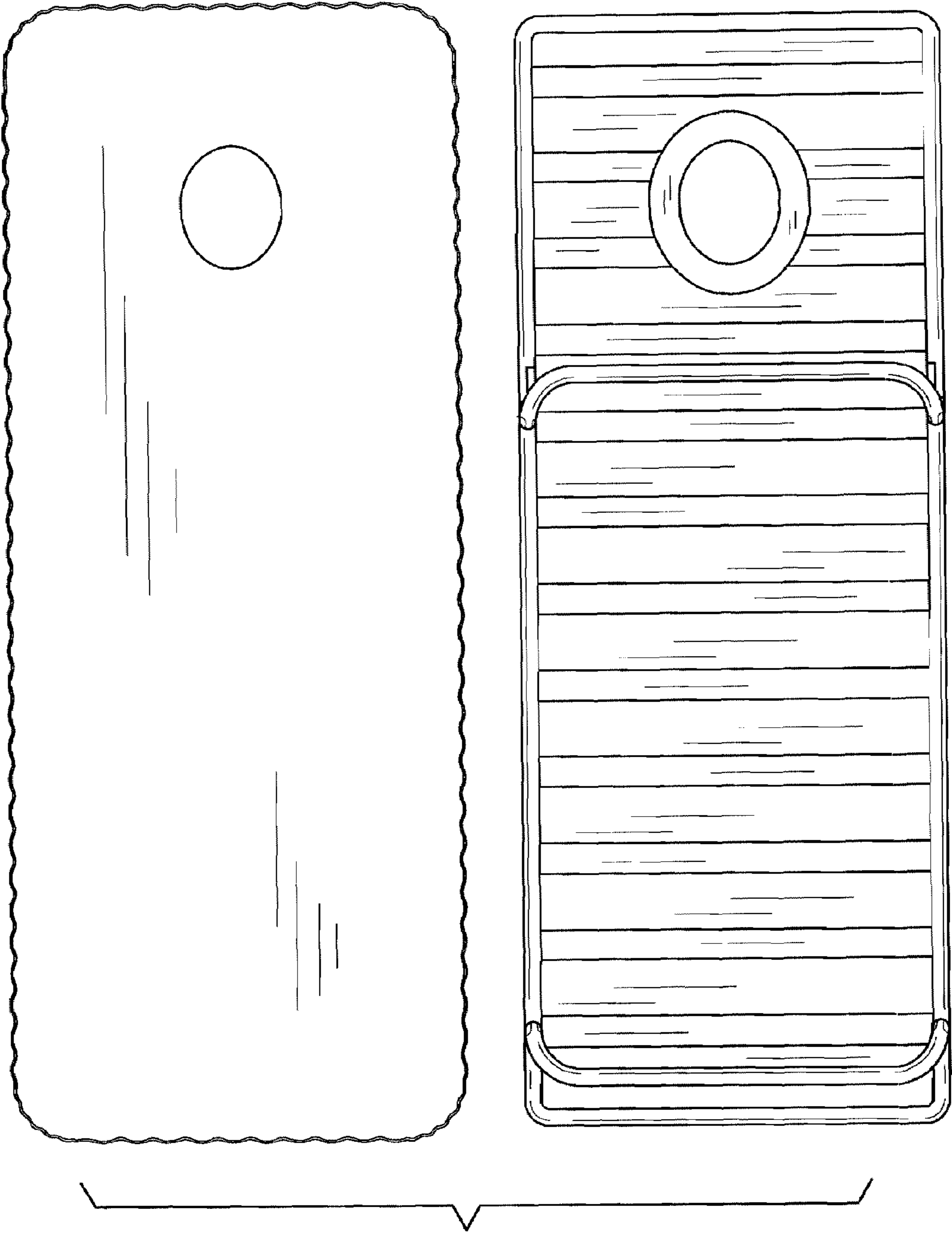


FIG. 2

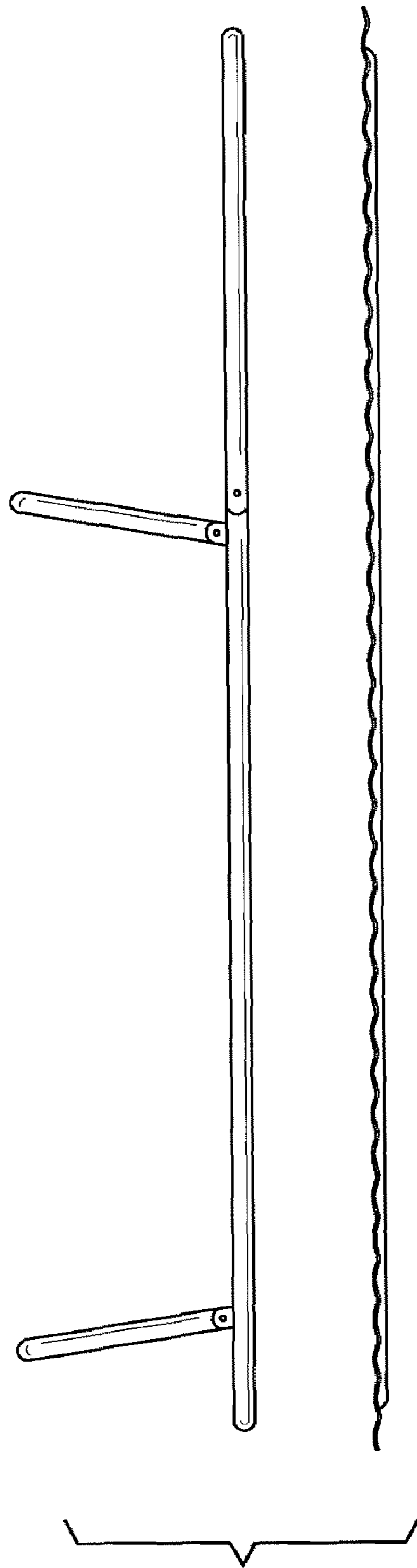


FIG. 3

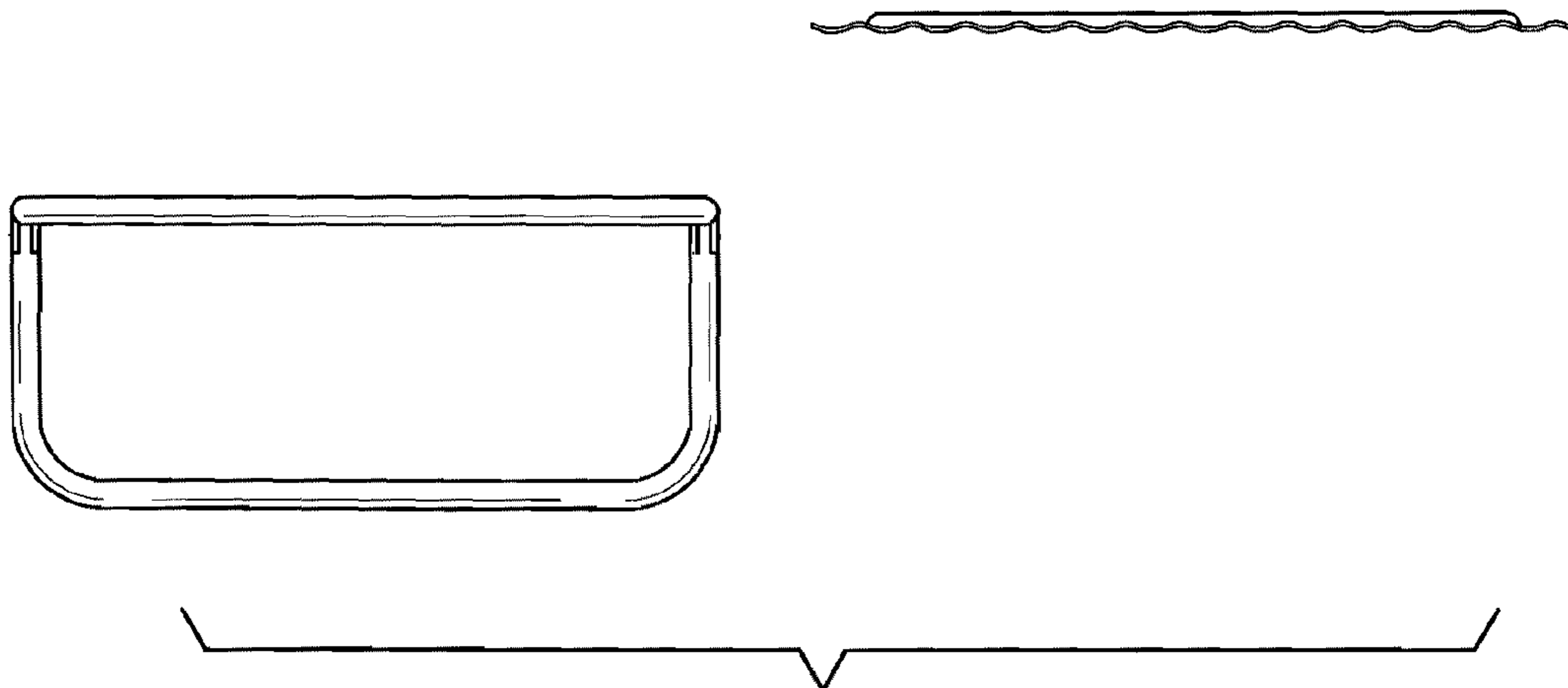


FIG. 4

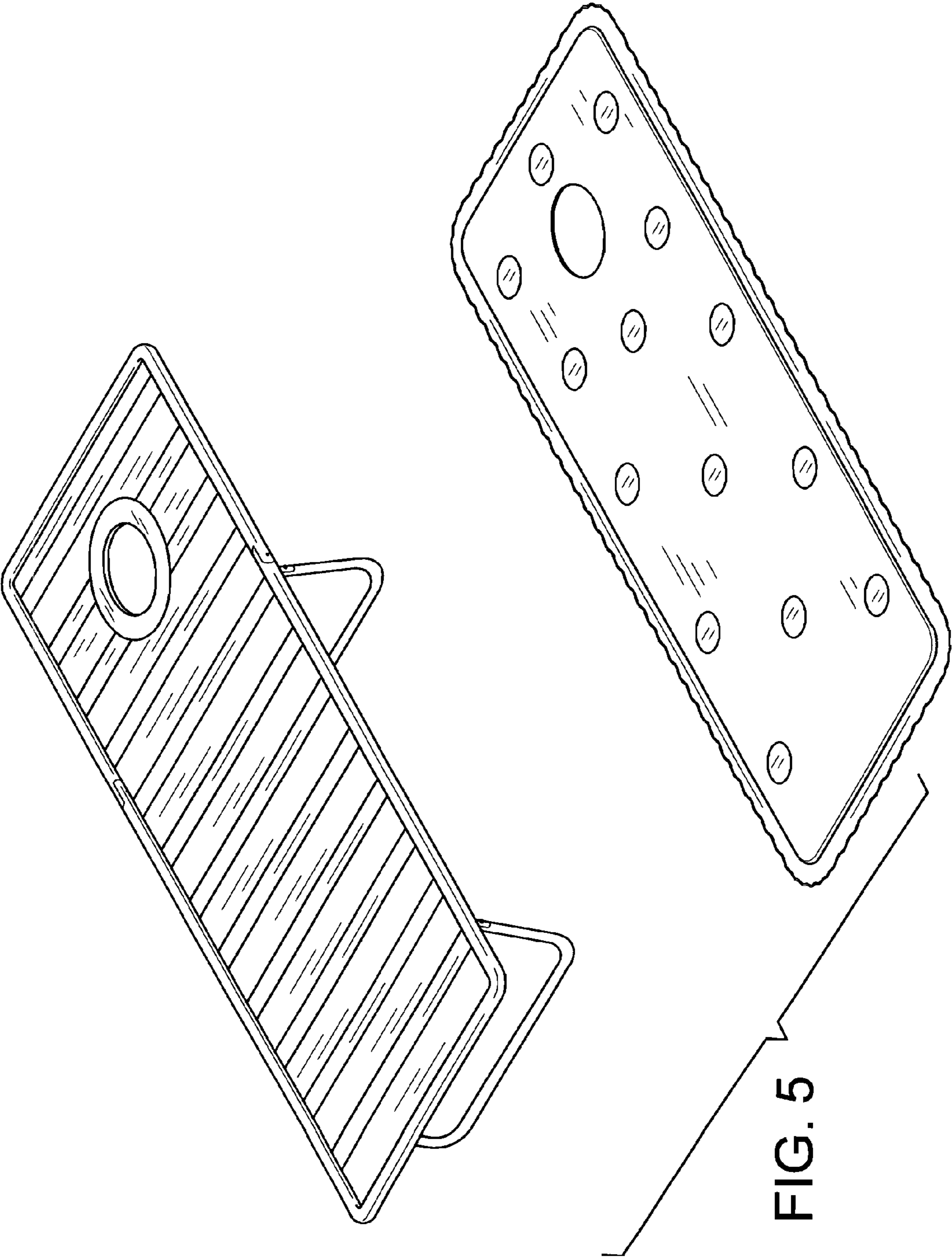


FIG. 5