



US00D606325S

(12) **United States Design Patent**  
**Gharabegian**

(10) **Patent No.:** **US D606,325 S**

(45) **Date of Patent:** **\*\* Dec. 22, 2009**

(54) **OSAKA CHAIR**

(75) Inventor: **Armen Sevada Gharabegian**, Glendale, CA (US)

(73) Assignee: **Lounge22, LLC**, Burbank, CA (US)

(\*\*) Term: **14 Years**

(21) Appl. No.: **29/308,476**

(22) Filed: **Jun. 19, 2008**

(51) **LOC (9) Cl.** ..... **06-01**

(52) **U.S. Cl.** ..... **D6/334**

(58) **Field of Classification Search** ..... D6/334-338, D6/349, 355, 361, 368-370, 376, 379-381, D6/492, 500-502; 297/16.1, 42, 94, 135, 297/175, 232, 233, 350, 351, 445.1, 448.1, 297/448.2, 451.9; 5/12.1, 12.2

See application file for complete search history.

(56) **References Cited**

**U.S. PATENT DOCUMENTS**

- D224,766 S \* 9/1972 Rowland ..... D6/371
- 3,700,282 A \* 10/1972 Rowland ..... 297/440.23
- D245,869 S \* 9/1977 Otani ..... D25/121
- D261,702 S \* 11/1981 Whalen ..... D6/334
- D265,699 S \* 8/1982 Lundgren ..... D6/334
- 4,343,509 A \* 8/1982 Lundgren ..... 297/232
- D278,581 S \* 4/1985 Melchior ..... D6/373
- D335,588 S \* 5/1993 Beirise ..... D6/381
- D336,376 S \* 6/1993 Hollington ..... D6/334
- D338,349 S \* 8/1993 Warnock ..... D6/381
- D339,247 S \* 9/1993 Grosfillex ..... D6/379
- D339,694 S \* 9/1993 Schwartz et al. .... D6/370
- D341,728 S \* 11/1993 Grosfillex ..... D6/379
- D347,529 S \* 6/1994 Hachenberg ..... D6/380

- D360,994 S \* 8/1995 McCray ..... D6/369
- D367,566 S \* 3/1996 Walters et al. .... D6/381
- D392,469 S \* 3/1998 De Blaay ..... D6/334
- D401,078 S \* 11/1998 Relling ..... D6/381
- D430,740 S \* 9/2000 Chun ..... D6/334
- D435,738 S \* 1/2001 Lowman ..... D6/369
- D475,539 S \* 6/2003 Savini ..... D6/334
- D492,499 S \* 7/2004 Relling et al. .... D6/381
- D499,270 S \* 12/2004 Relling et al. .... D6/381
- D535,124 S \* 1/2007 Garcia ..... D6/492
- D542,545 S \* 5/2007 Switzer ..... D6/334
- D567,102 S \* 4/2008 Rhoden ..... D9/638

\* cited by examiner

*Primary Examiner*—Sandra Snapp

(74) *Attorney, Agent, or Firm*—Pillsbury Winthrop Shaw Pittman LLP

(57) **CLAIM**

The ornamental design for an Osaka chair, as shown and described.

**DESCRIPTION**

FIG. 1 is a top view of a Osaka chair showing a new design; FIG. 2 is a front view of the Osaka chair showing the new design;

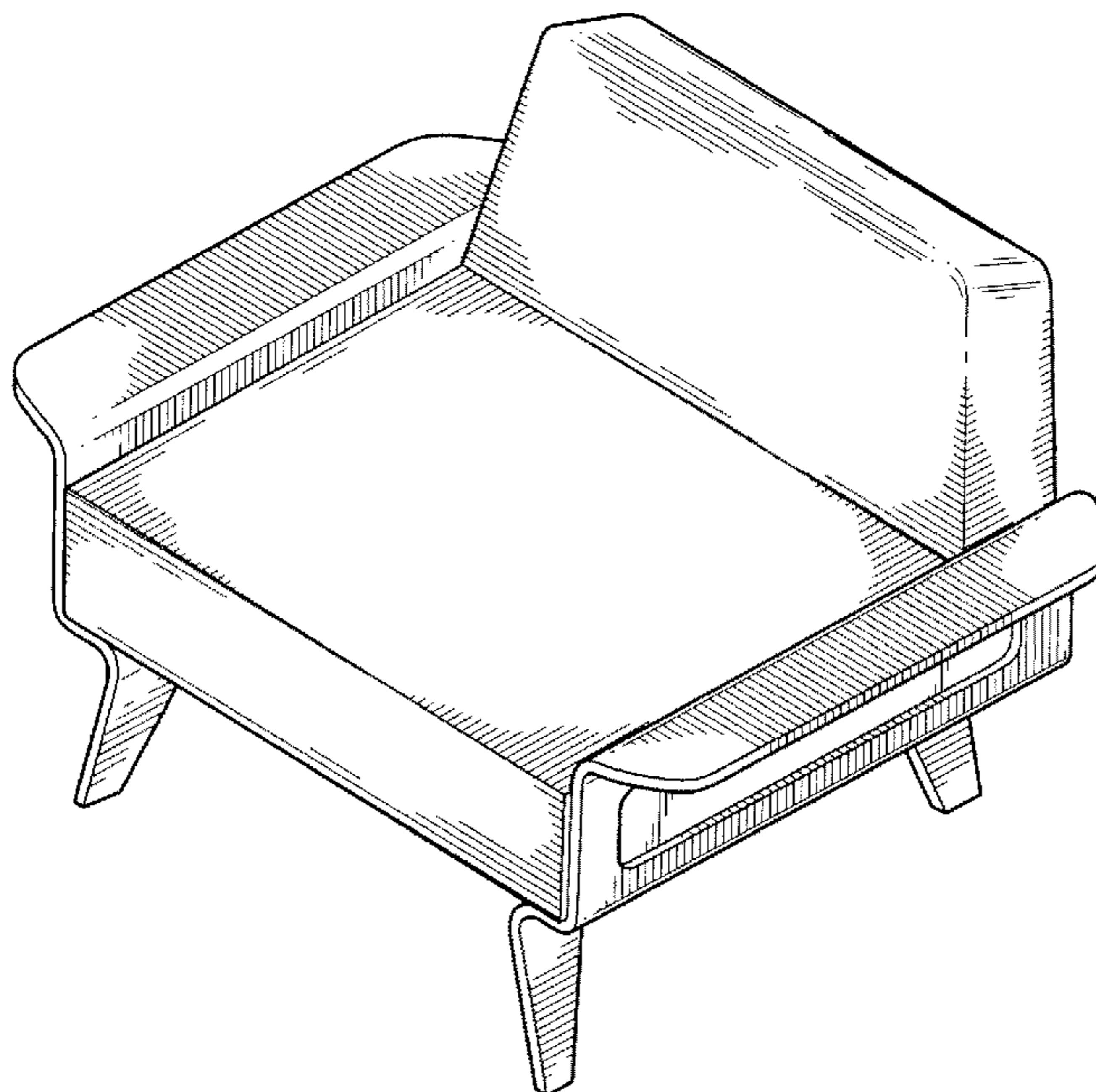
FIG. 3 is a right side view of the Osaka chair showing the new design, the left side view being substantially the same;

FIG. 4 is a bottom view of the Osaka chair showing the new design;

FIG. 5 is a rear elevation view of the Osaka chair showing the new design; and,

FIG. 6 is a top right perspective view of the Osaka chair showing the new design.

**1 Claim, 6 Drawing Sheets**



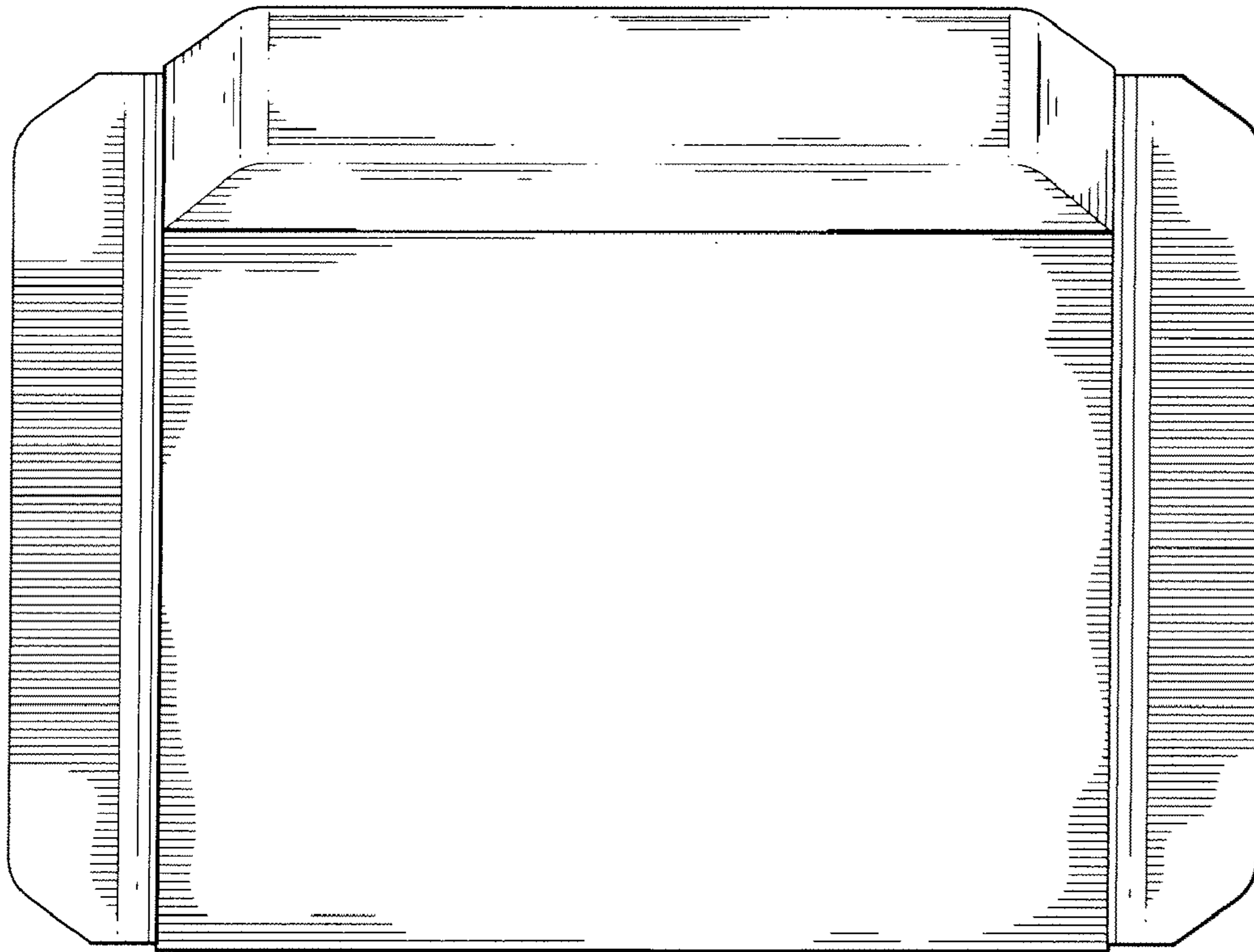


FIG. 1

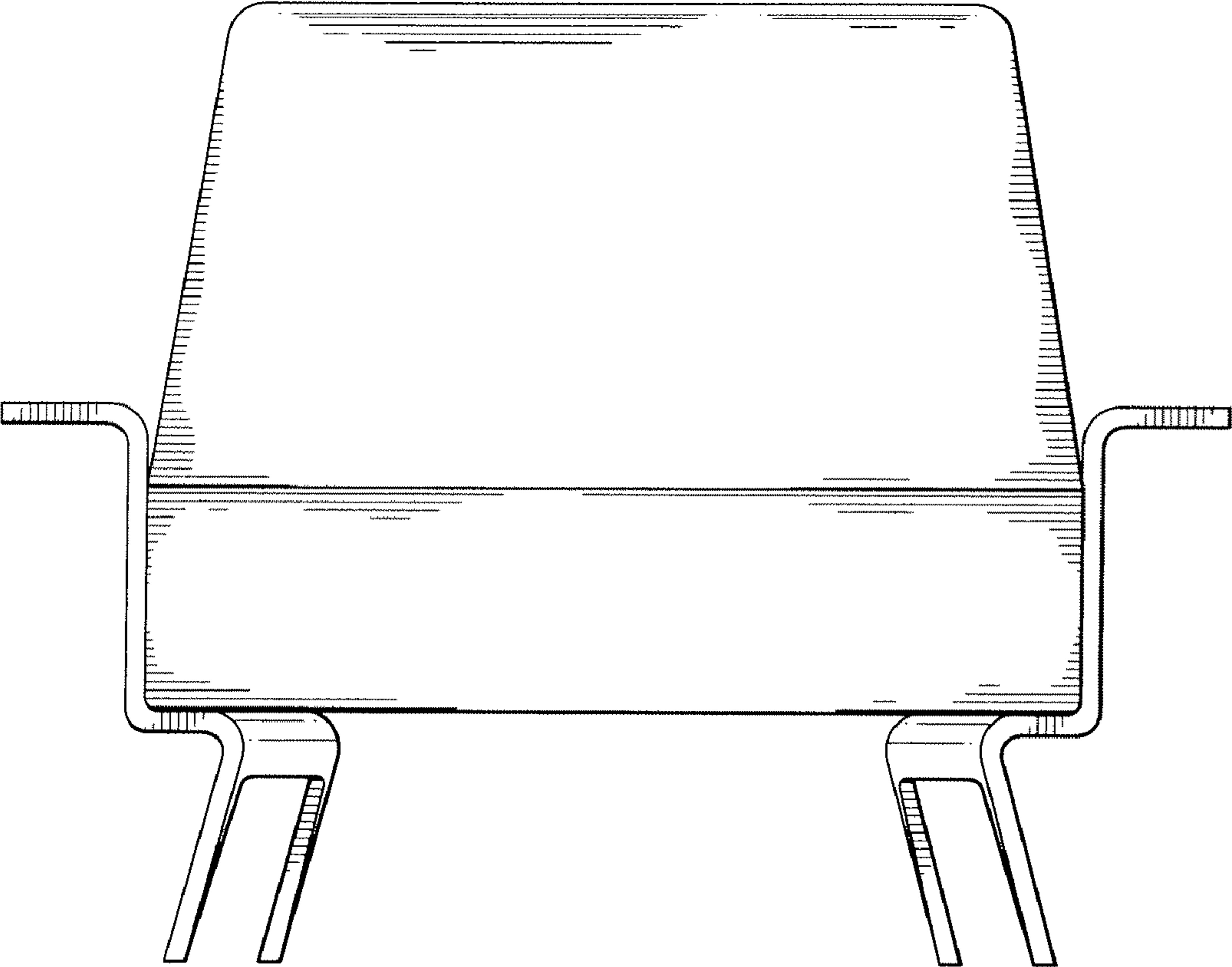


FIG. 2

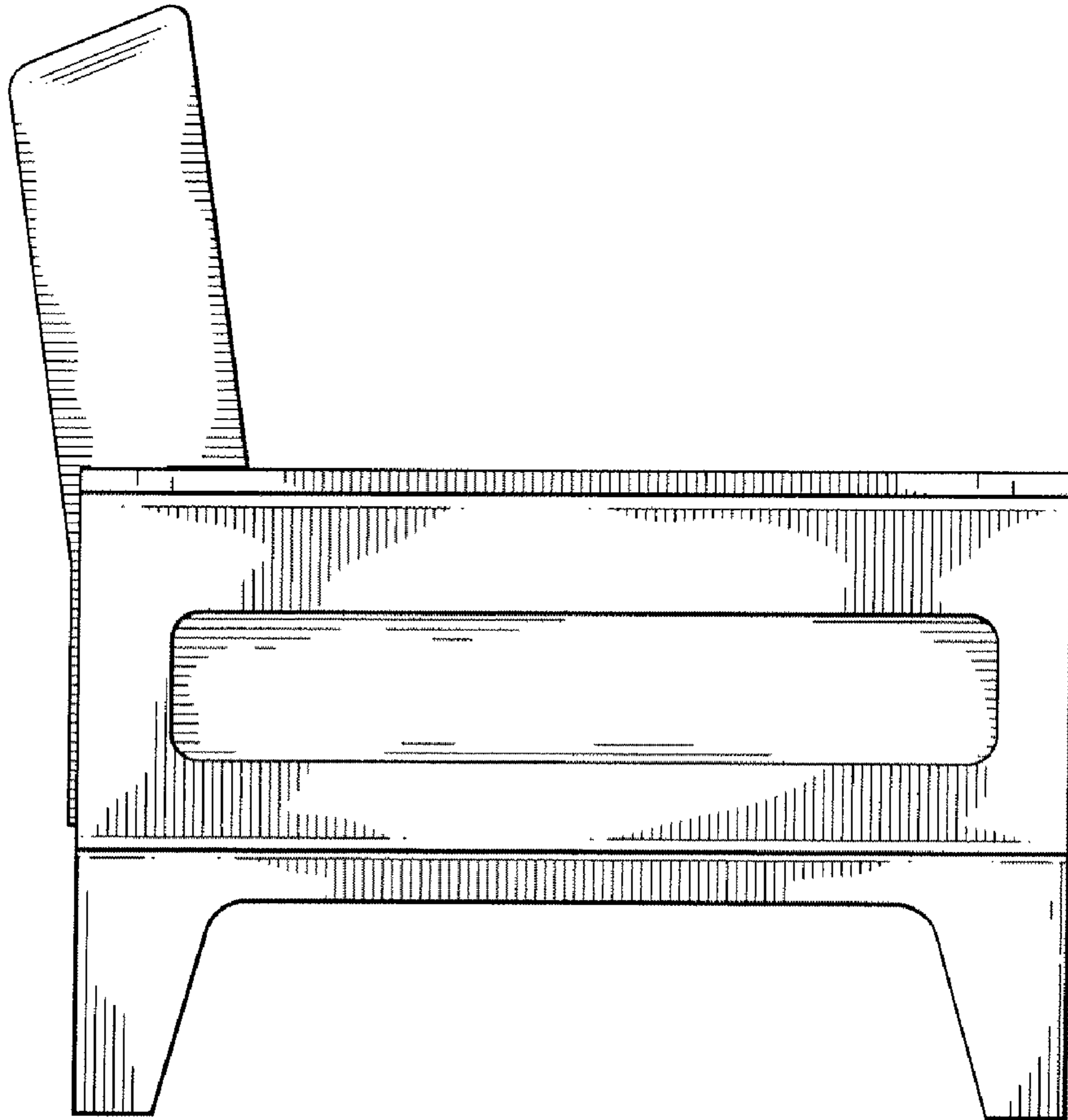


FIG. 3

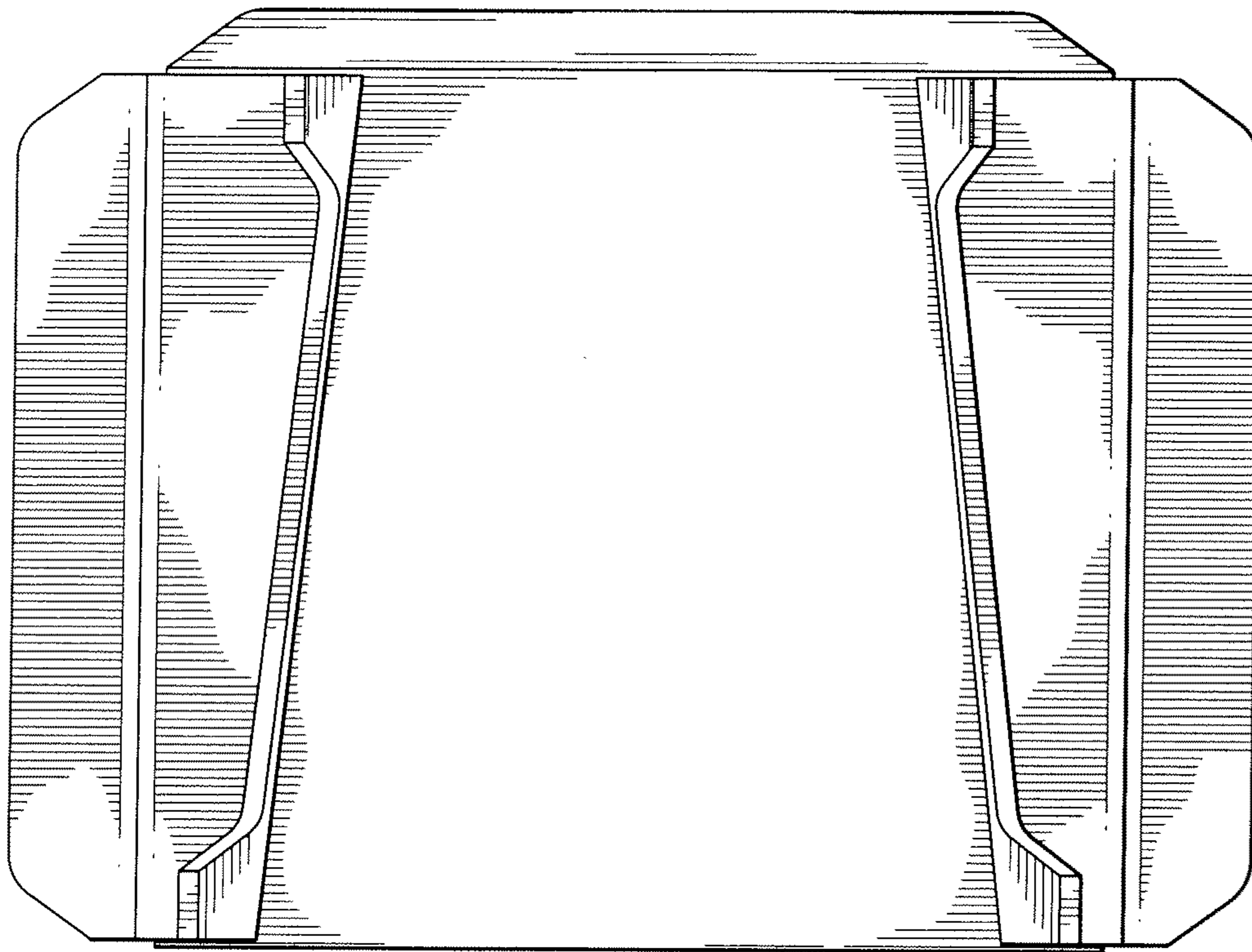


FIG.4



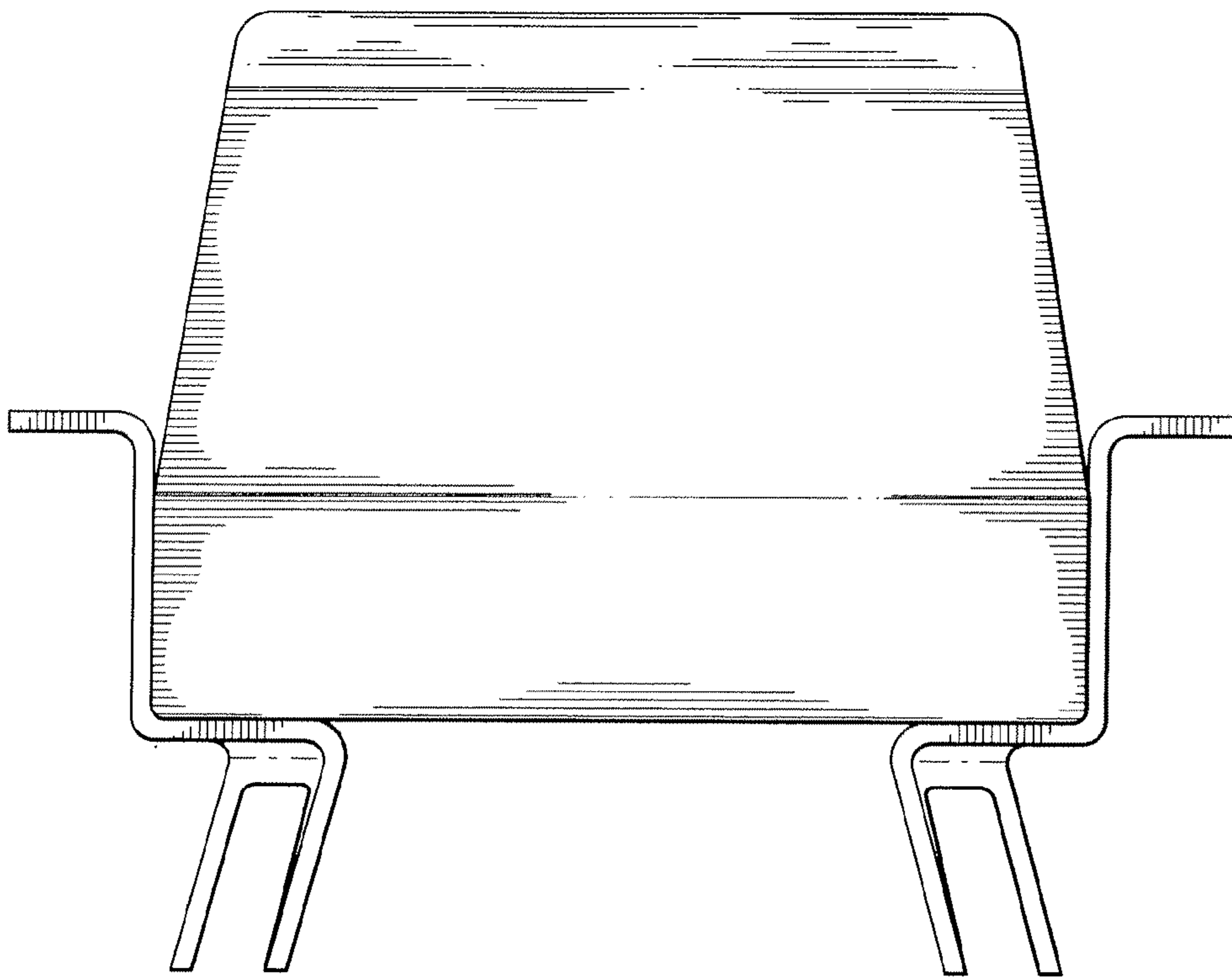


FIG. 5

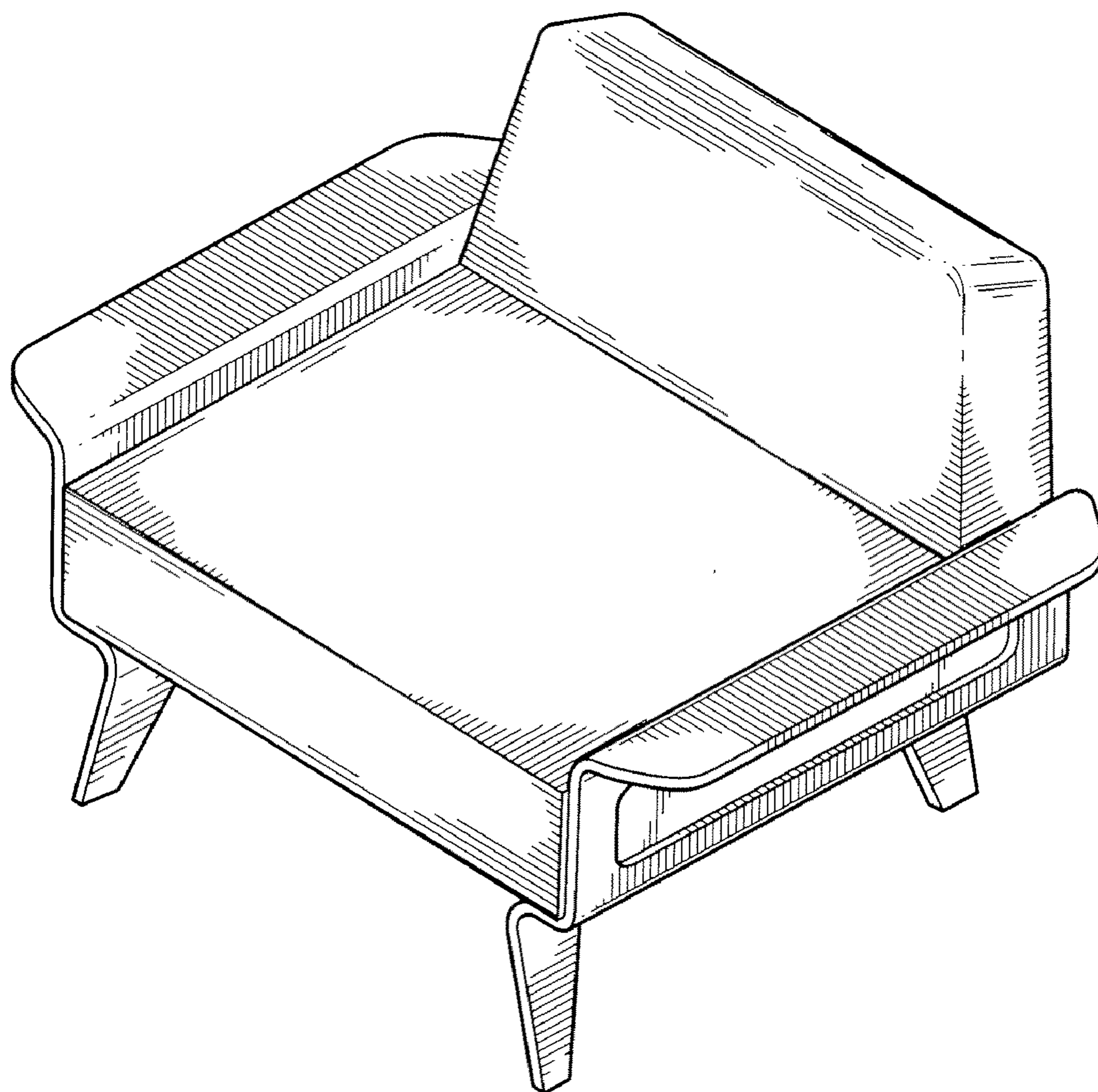


FIG. 6