



US00D606318S

(12) **United States Design Patent**
Driesen et al.

(10) **Patent No.:** **US D606,318 S**

(45) **Date of Patent:** **** *Dec. 22, 2009**

(54) **TOOTHBRUSH HEAD**

(75) Inventors: **Georges Driesen**, Weilrod (DE);
Michael Schmid, Frankfurt am Main
(DE); **Rory McGarry**, Frankfurt am
Main (DE); **Eva Susanne Dominique**
Thurnay, Frankfurt am Main (DE)

(73) Assignee: **The Procter & Gamble Company**,
Cincinnati, OH (US)

(*) Notice: This patent is subject to a terminal dis-
claimer.

(**) Term: **14 Years**

(21) Appl. No.: **29/312,681**

(22) Filed: **Nov. 6, 2008**

(51) **LOC (9) Cl.** **04-02**

(52) **U.S. Cl.** **D4/101; D4/111**

(58) **Field of Classification Search** D4/101,
D4/104-112, 127, 130; 15/28, 29, 110, 167.1,
15/167.2, DIG. 5; 132/308-311; 601/139,
601/141

See application file for complete search history.

(56) **References Cited**

U.S. PATENT DOCUMENTS

D321,285 S 11/1991 Hirabayashi

(Continued)

FOREIGN PATENT DOCUMENTS

DE 20213325 U1 * 10/2002
DE 20111428 U1 * 11/2002
DE 202007017676 U1 * 4/2008
EP 0765642 A2 4/1997
JP 2000000118 A * 1/2000
JP 2004135935 A * 5/2004

OTHER PUBLICATIONS

DE 40005187.7 Industrial Design Application, (Coronet-Werke
GmbH), Sep. 9, 2000, [online], [retrieved on Dec. 8, 2007] Retrieved

from the Designs Register Database of the German Patent and Trade
Mark Office using the Internet: <URL: https://dpinfo.dpma.de>.*

Office Actions for U.S. Appl. No. 10/666,497 (Z-3432), filed Sep. 19,
2003, Chenvainu et al.

(Continued)

Primary Examiner—Melanie H Tung

Assistant Examiner—Lavone D Tabor

(74) *Attorney, Agent, or Firm*—Vladimir Vitenberg; George
H. Leal; James C. Vago

(57) **CLAIM**

The ornamental design for a toothbrush head, as shown and
described.

DESCRIPTION

FIG. 1 is a perspective view of a toothbrush head, showing our
new ornamental design, wherein tufts are formed by plurali-
ties of bristles;

FIG. 2 is a front view thereof;

FIG. 3 is a bottom view thereof;

FIG. 4 is a side view thereof, the opposite side view being a
mirror image thereof; and,

FIG. 5 is a top view thereof.

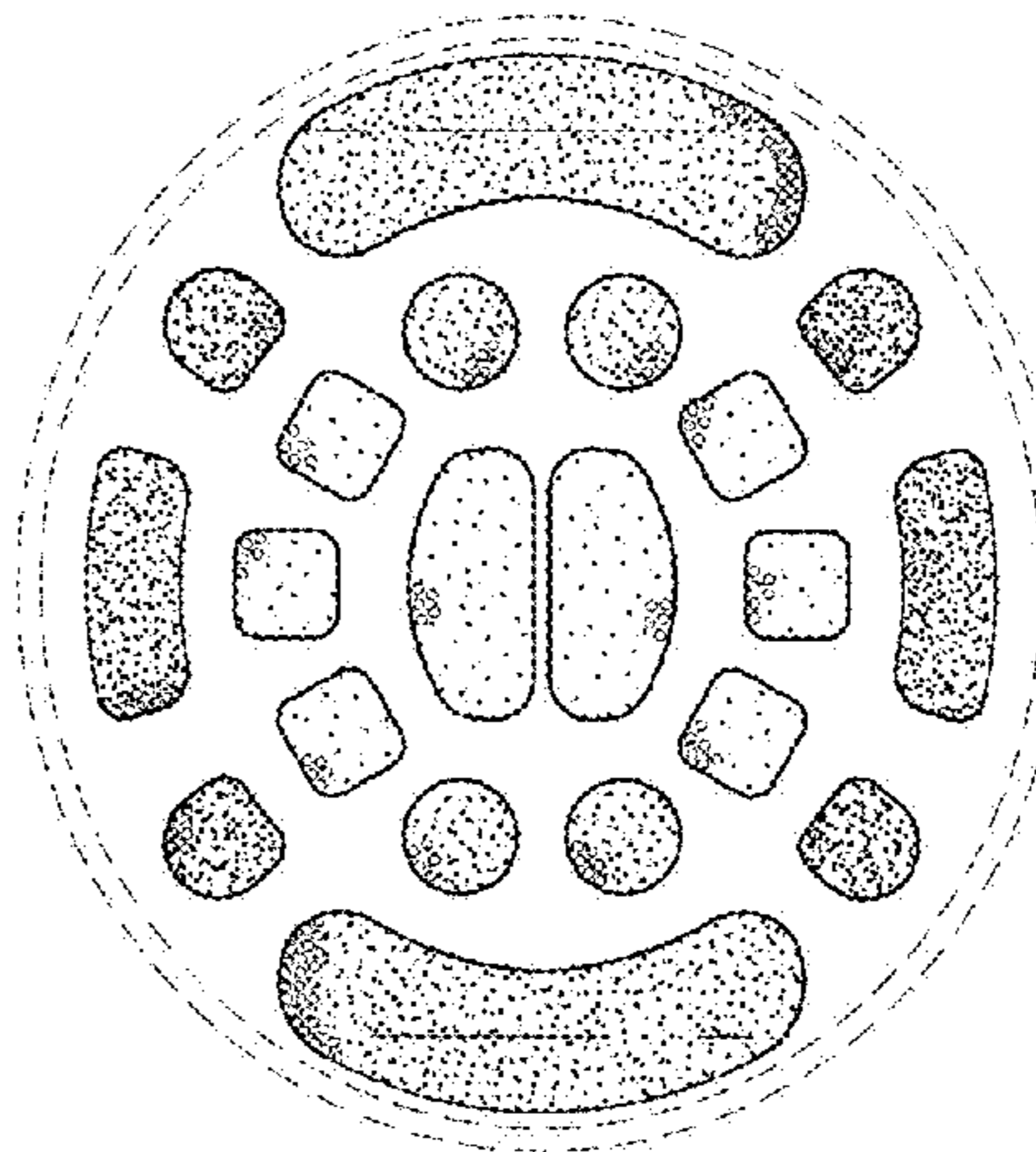
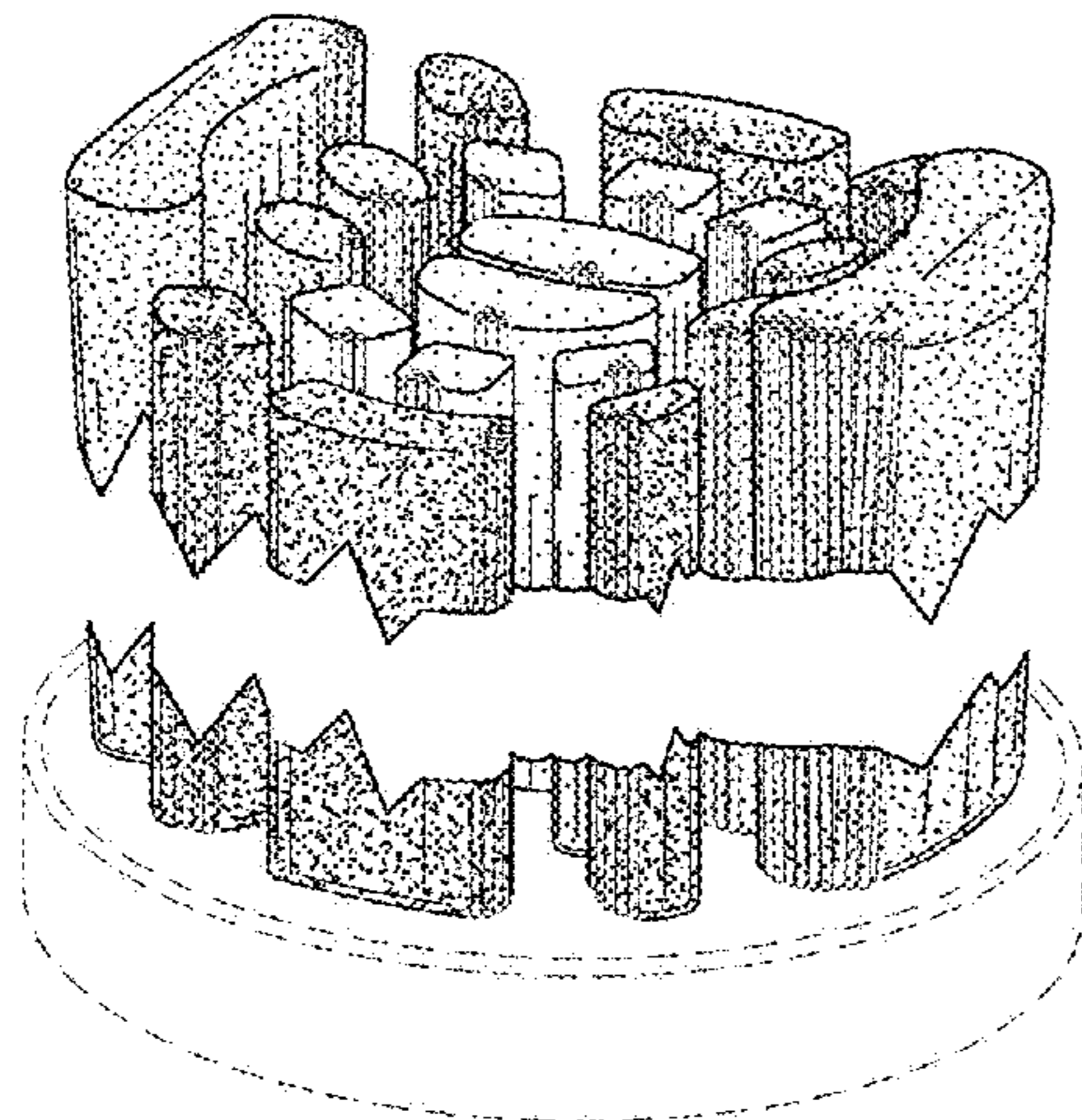
The features shown in broken lines are for environmental
purposes only and form no part of the claimed design.

The bristle tufts are shown broken away to indicate that no
particular length is being claimed.

Pluralities of individual bristles shown, for convenience, only
partially in each of the tufts continue throughout and fill
respective tufts in accordance with the contours outlined by
the endless straight / curved lines.

The shading of differential-density stippled patterns indicates
differential colors of the tufts of bristles.

1 Claim, 2 Drawing Sheets



US D606,318 S

Page 2

U.S. PATENT DOCUMENTS

D397,252 S 8/1998 Allende
6,021,538 A * 2/2000 Kressner et al. 15/28
6,058,541 A 5/2000 Masterman et al.
D456,607 S * 5/2002 Carlucci et al. D4/101
D462,173 S 9/2002 Eliav et al.
D465,655 S 11/2002 Kraemer
D478,212 S 8/2003 Winkler
D478,214 S 8/2003 Winkler et al.
D479,046 S 9/2003 Winkler
6,665,901 B2 * 12/2003 Driesen et al. 15/167.1
6,957,468 B2 * 10/2005 Driesen et al. 15/167.1

7,275,277 B2 * 10/2007 Moskovich et al. 15/167.1
7,392,562 B2 7/2008 Boland et al.
2002/0138926 A1 * 10/2002 Brown et al. 15/22.1

OTHER PUBLICATIONS

Office Actions for U.S. Appl. No. 09/824,310 (Z-3870), filed Apr. 2, 2001, Brown, Jr. et al .
Office Actions for U.S. Appl. No. 11/513,632 (Z-3870C), filed Aug. 31, 2006, Brown, Jr. et al.
Office Actions for U.S. Appl. No. 12/008,774 (Z-3870C2), filed Jan. 14, 2008, Brown, Jr. et al.

* cited by examiner

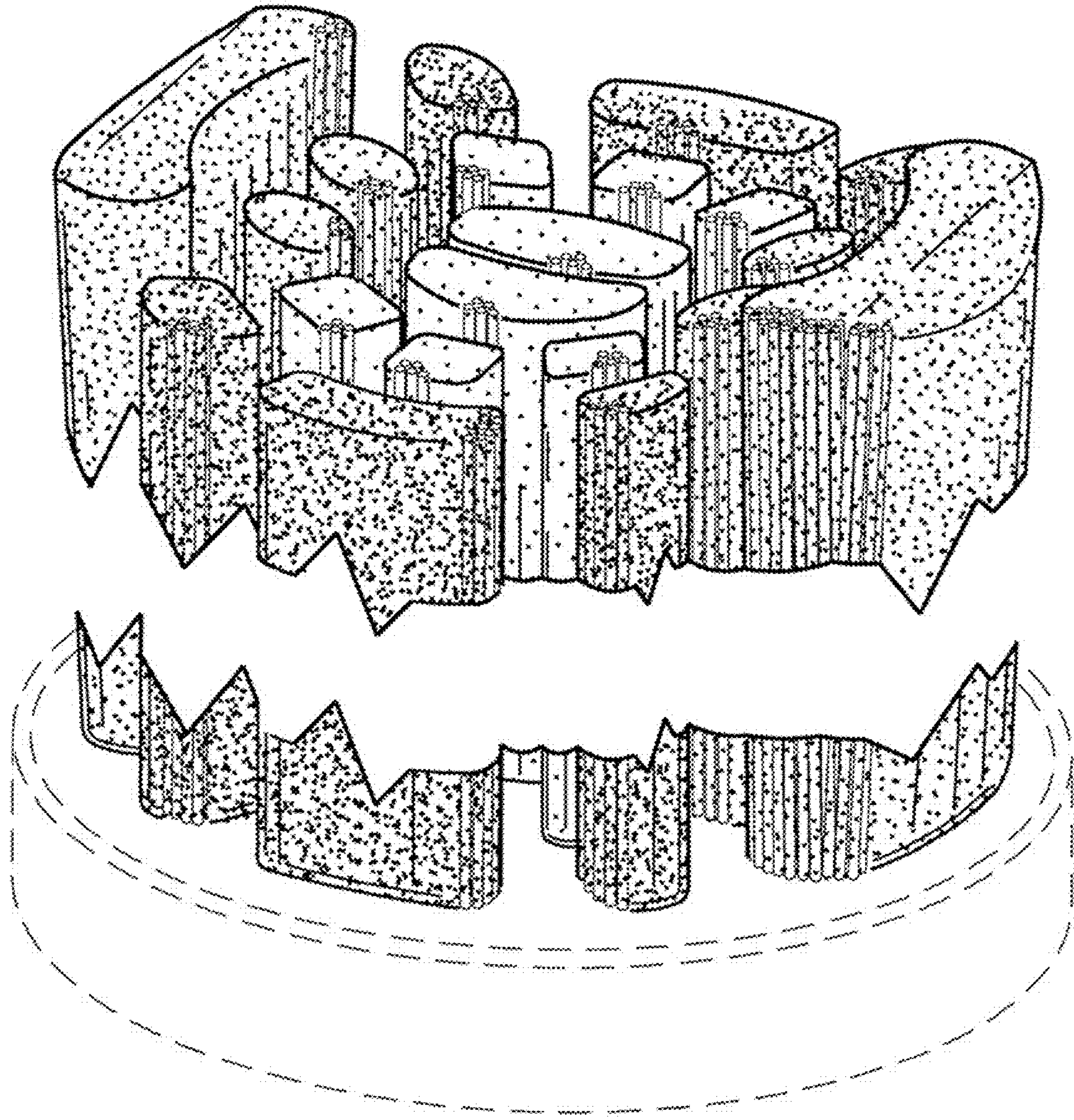


Fig. 1

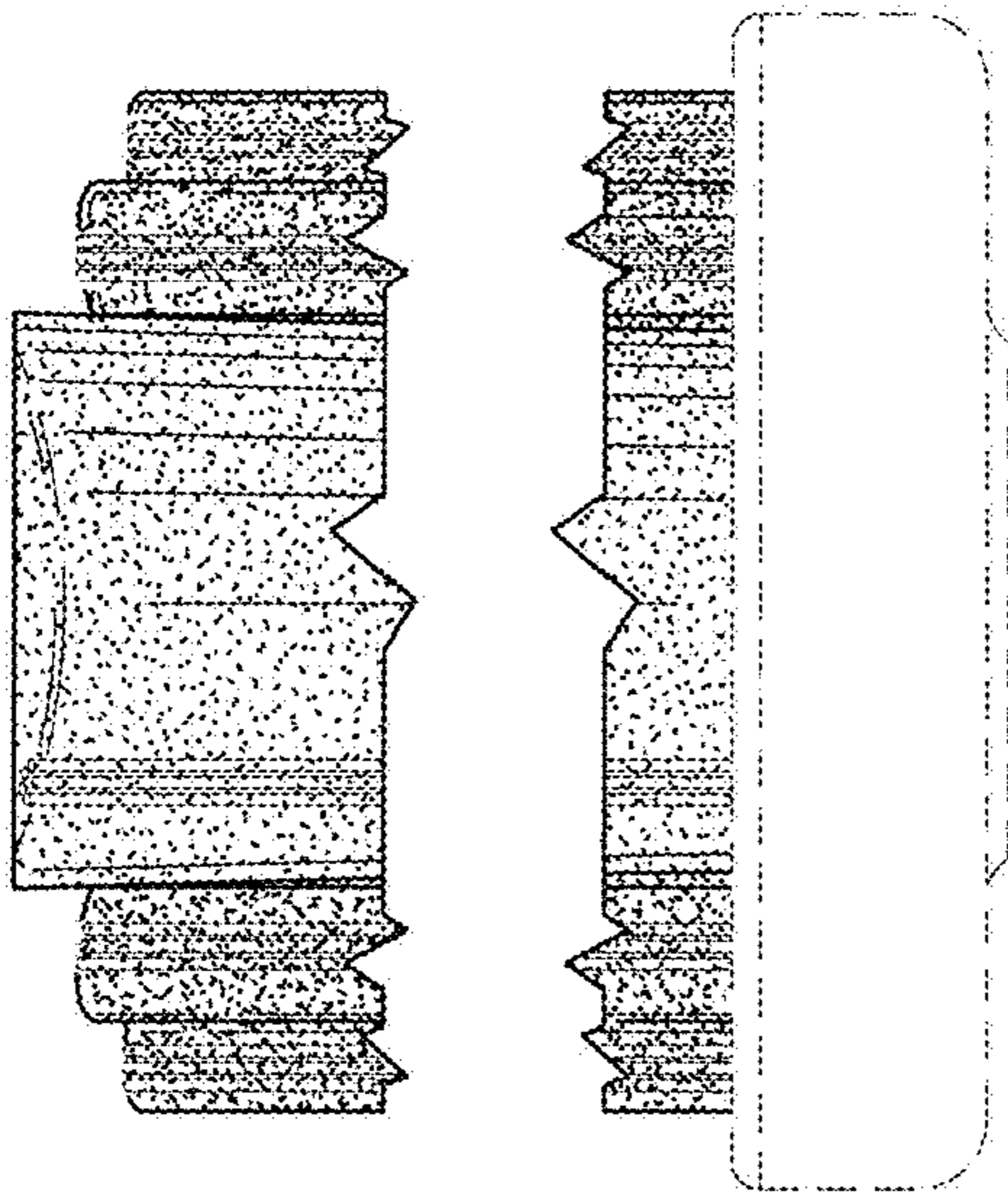


Fig. 2

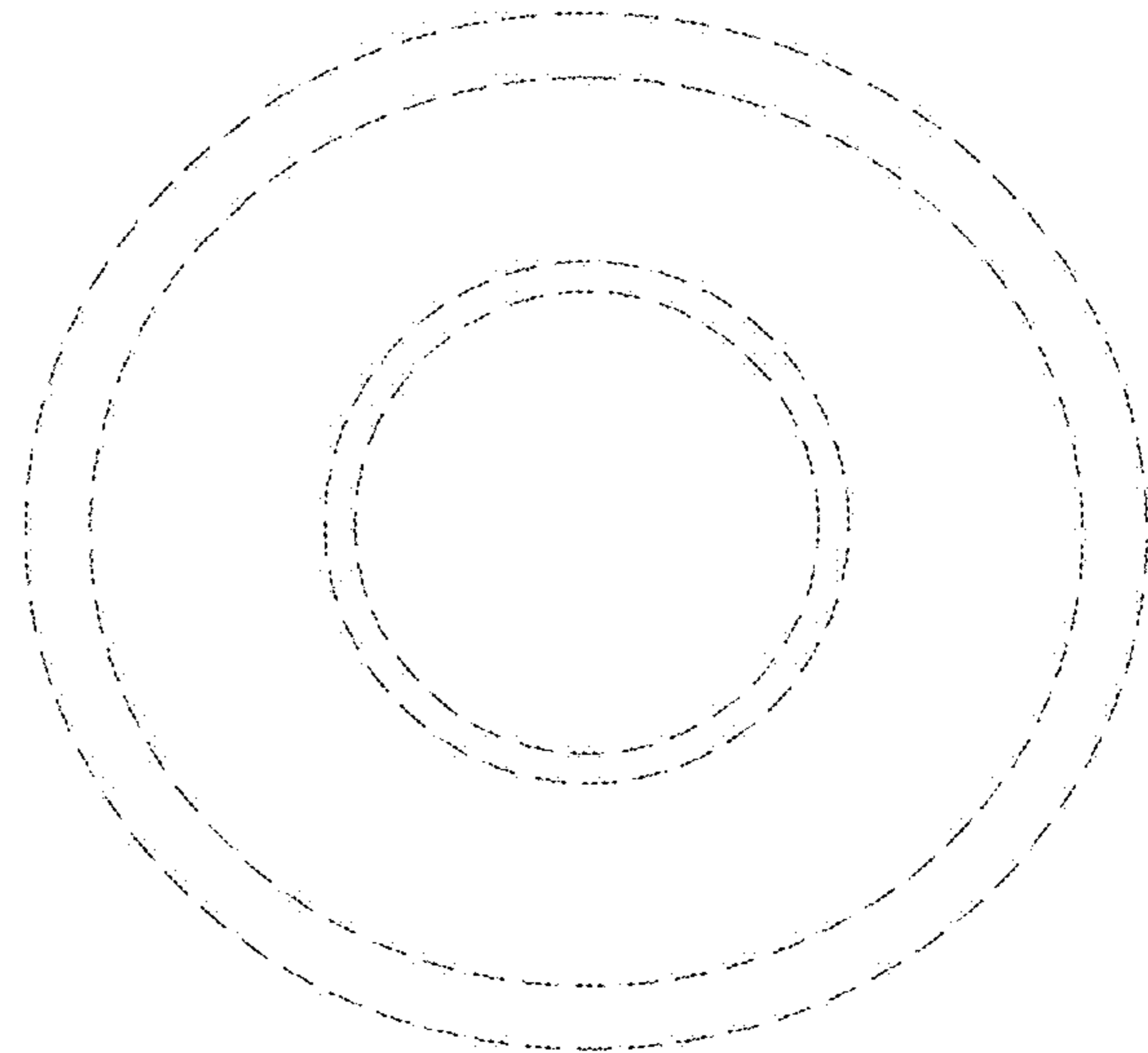


Fig. 3

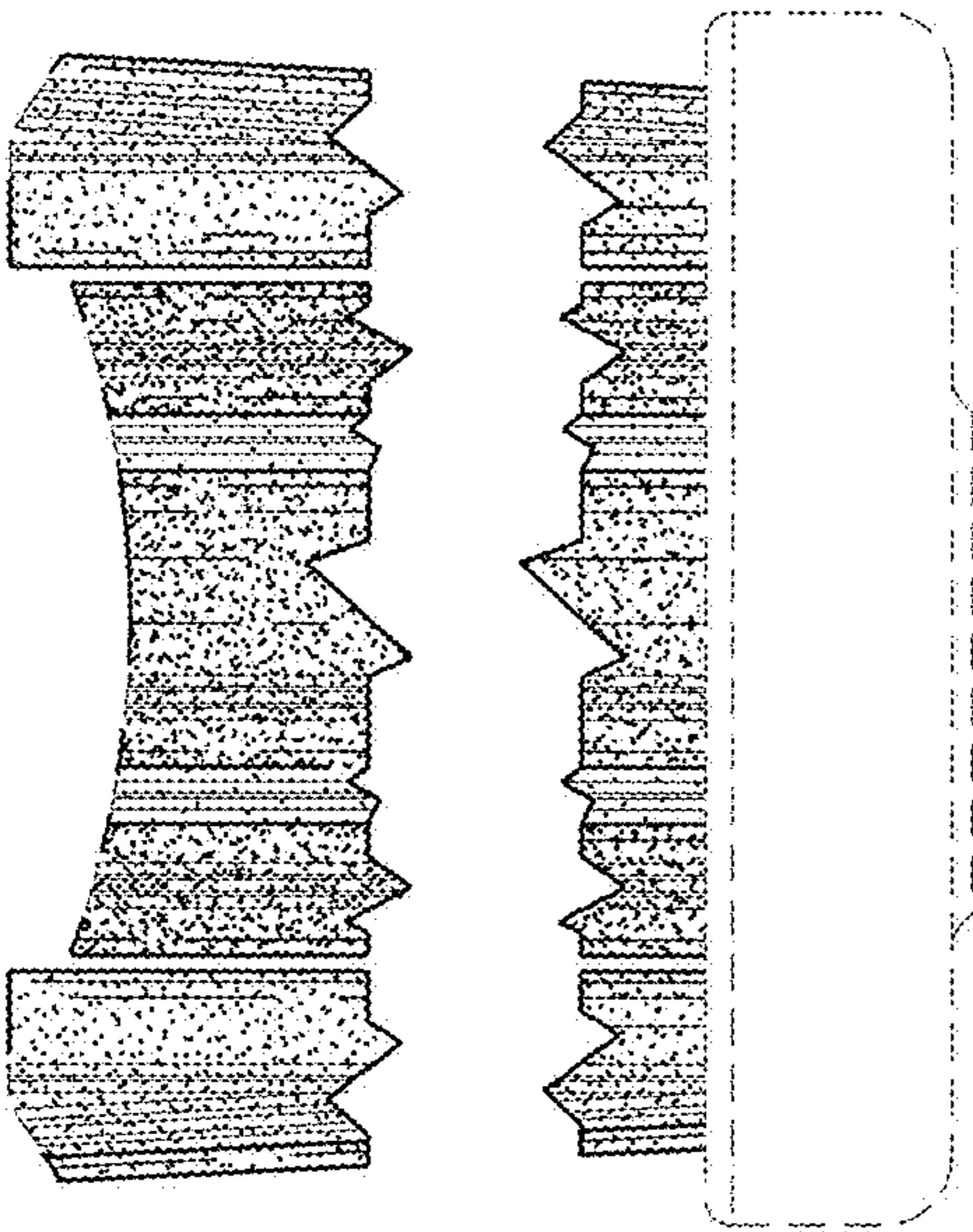


Fig. 4

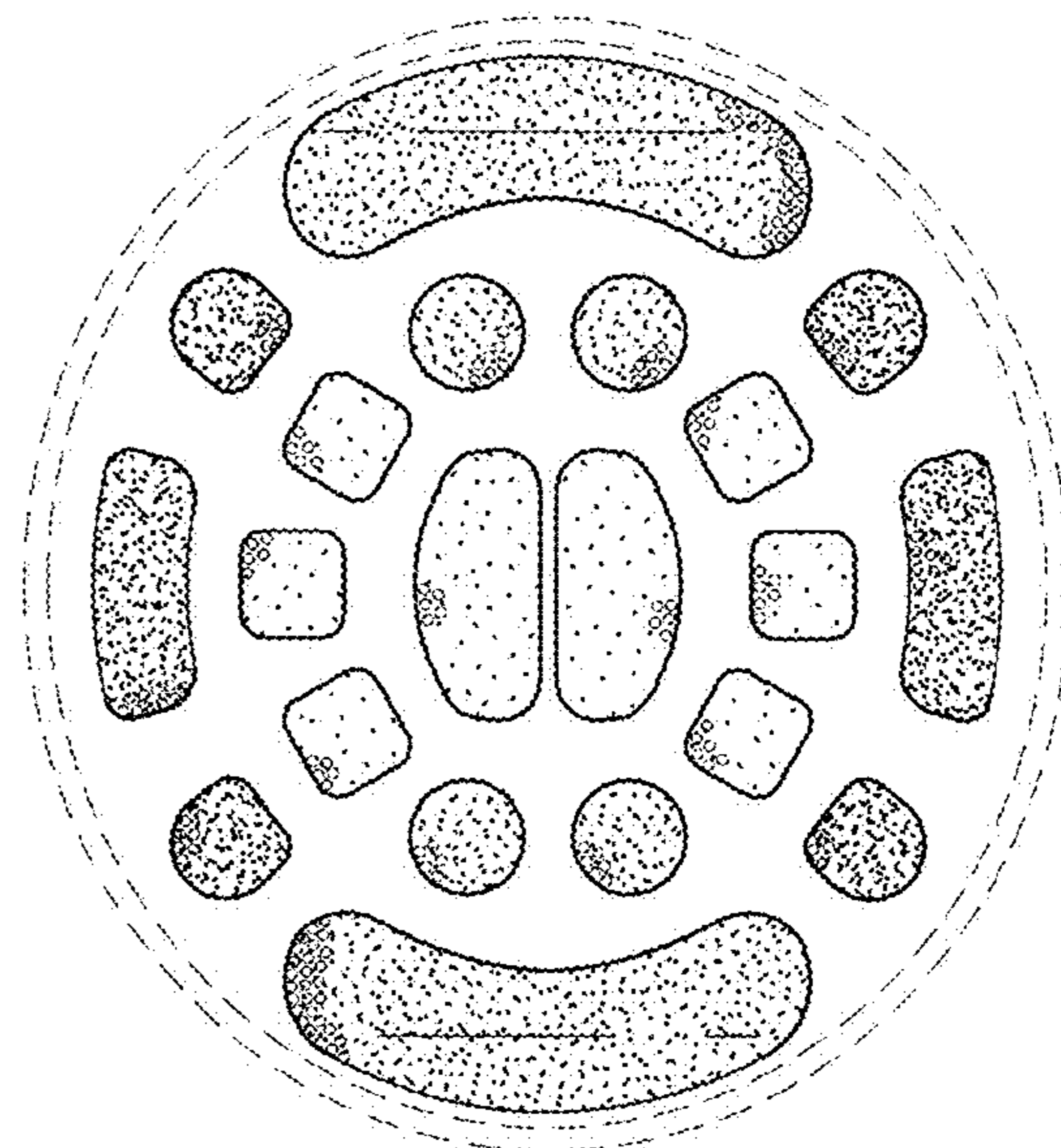


Fig. 5