



US00D606317S

(12) **United States Design Patent**  
**Driesen et al.**

(10) **Patent No.:** **US D606,317 S**

(45) **Date of Patent:** **\*\* Dec. 22, 2009**

(54) **TOOTHBRUSH HEAD**

(75) Inventors: **Georges Driesen**, Weilrod (DE);  
**Michael Schmid**, Frankfurt am Main (DE)

(73) Assignee: **The Procter & Gamble Company**,  
Cincinnati, OH (US)

(\*\*) Term: **14 Years**

(21) Appl. No.: **29/312,677**

(22) Filed: **Nov. 6, 2008**

(51) **LOC (9) Cl.** ..... **04-02**

(52) **U.S. Cl.** ..... **D4/101; D4/111**

(58) **Field of Classification Search** ..... D4/101,  
D4/104-112, 127, 130; 15/28, 29, 110, 167.1,  
15/167.2, DIG. 5; 132/308-311; 601/139,  
601/141

See application file for complete search history.

(56) **References Cited**

**U.S. PATENT DOCUMENTS**

D321,285 S 11/1991 Hirabayashi

(Continued)

**FOREIGN PATENT DOCUMENTS**

DE	20213325	U1	*	10/2002
DE	20111428	U1	*	11/2002
DE	202007017676	U1	*	4/2008
EP	0765642	A2		4/1997
JP	2000000118	A	*	1/2000
JP	2004135935	A	*	5/2004

**OTHER PUBLICATIONS**

DE 40005187.7 Industrial Design Application, (Coronet-Werke GmbH), Sep. 9, 2000, [online], [retrieved on Dec. 8, 2007] Retrieved from the Designs Register Database of the German Patent and Trade Mark Office using the Internet: <URL: <https://dpinfo.dpma.de>>.\*  
Office Actions for U.S. Appl. No. 10/666,497, filed Sep. 19, 2003, Chenvainu et al.

Office Actions for U.S. Appl. No. 09/824,310, filed Apr. 2, 2001, Brown, Jr. et al.

Office Actions for U.S. Appl. No. 11/513,632, filed Aug. 31, 2006, Brown, Jr. et al.

Office Actions for U.S. Appl. No. 12/008,774, filed Jan. 14, 2008, Brown, Jr. et al.

*Primary Examiner*—Robin V Webster

*Assistant Examiner*—Lavone D Tabor

(74) *Attorney, Agent, or Firm*—Vladimir Vitenberg; George H. Leal; James C. Vago

(57) **CLAIM**

The ornamental design for a toothbrush head, as shown and described.

**DESCRIPTION**

FIG. 1 is a perspective view of a first embodiment of a toothbrush head, showing our new ornamental design, wherein tufts are formed by pluralities of bristles;

FIG. 2 is a front view thereof;

FIG. 3 is a bottom view thereof;

FIG. 4 is a side view thereof, the opposite side view being a mirror image thereof; and

FIG. 5 is a top view thereof.

FIG. 6 is a perspective view of a second embodiment of a portion of a toothbrush head, showing our new ornamental design, wherein tufts are formed by pluralities of bristles;

FIG. 7 is a front view thereof;

FIG. 8 is a bottom view thereof;

FIG. 9 is a side view thereof, the opposite side view being a mirror image thereof; and,

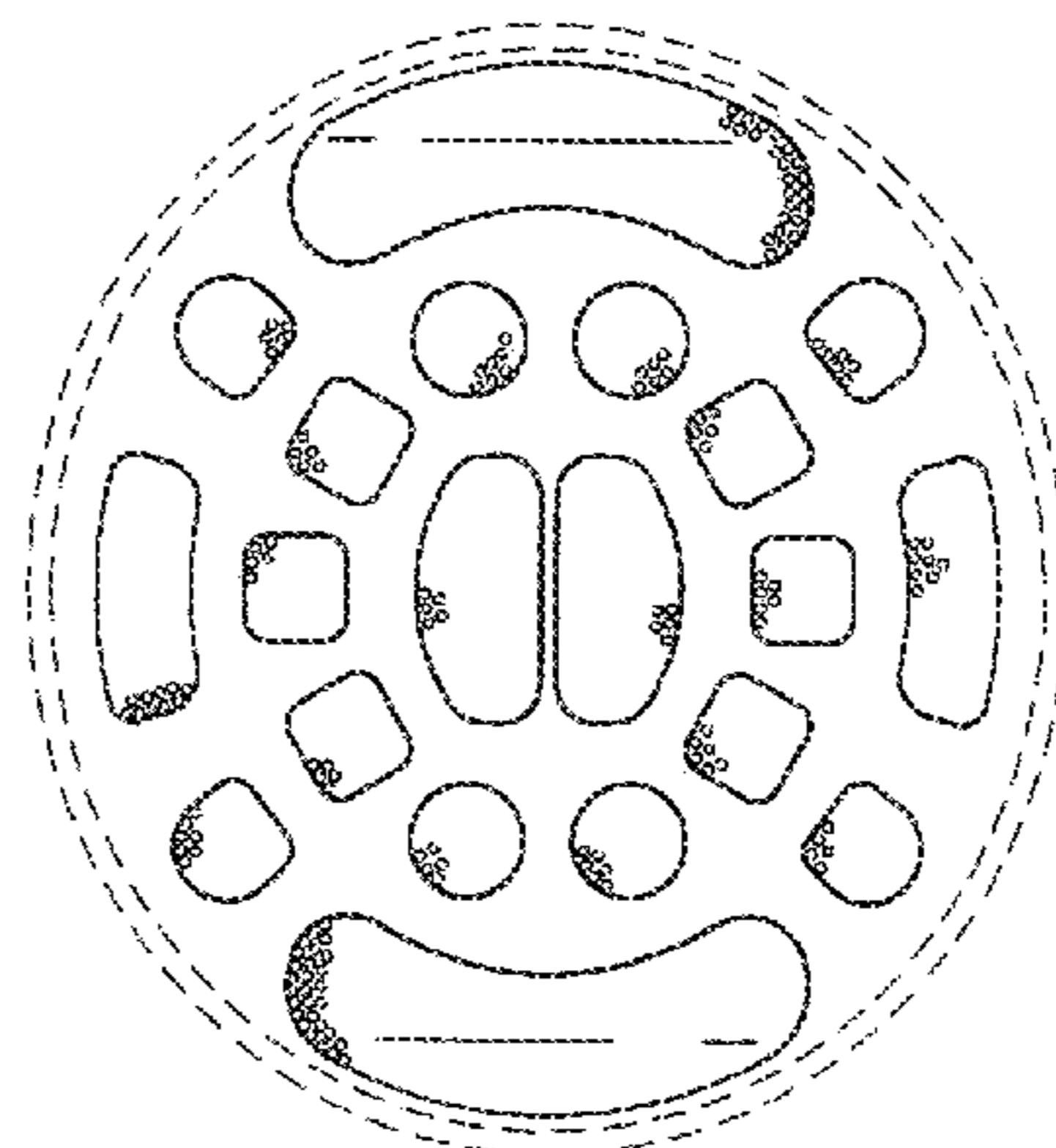
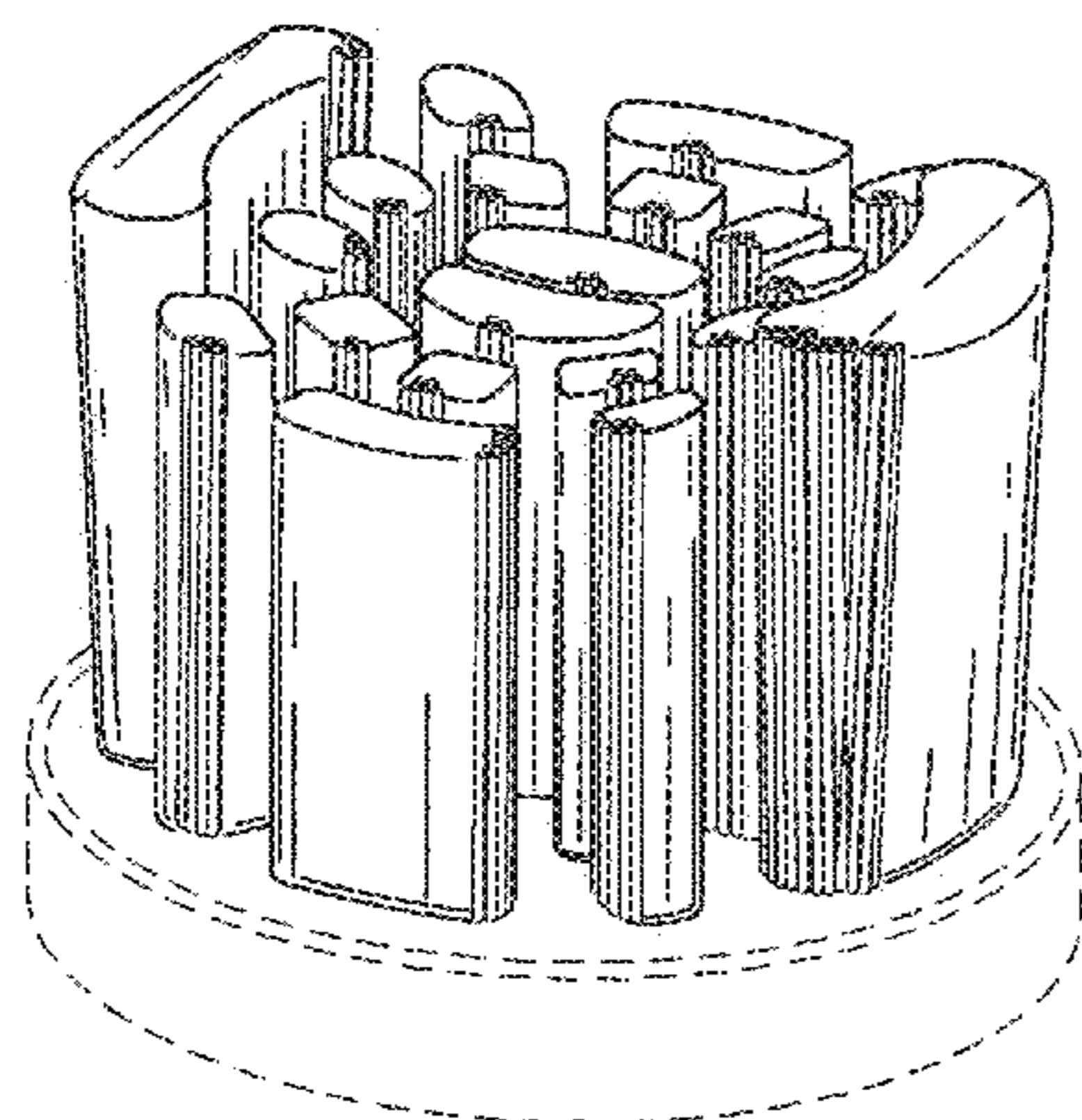
FIG. 10 is a top view thereof.

The features shown in broken lines are for environmental purposes only and form no part of the claimed design.

The bristle tufts are shown broken away to indicate that no particular length is being claimed.

Pluralities of individual bristles shown, for convenience, only partially in each of the tufts continue throughout and fill respective tufts in accordance with the contours outlined by the endless straight/curved lines.

**1 Claim, 4 Drawing Sheets**



# US D606,317 S

Page 2

---

## U.S. PATENT DOCUMENTS

D397,252 S	8/1998	Allende			
6,021,538 A *	2/2000	Kressner et al. ....	15/28		
6,058,541 A	5/2000	Masterman et al.			
D456,607 S *	5/2002	Carlucci et al. ....	D4/101		
D462,173 S	9/2002	Eliav et al.			
D465,655 S	11/2002	Kraemer			
D478,212 S	8/2003	Winkler			
D478,214 S	8/2003	Winkler et al.			
D479,046 S	9/2003	Winkler			
6,665,901 B2 *	12/2003	Driesen et al. ....	15/167.1		
6,957,468 B2 *	10/2005	Driesen et al. ....	15/167.1		
7,275,277 B2 *	10/2007	Moskovich et al. ....	15/167.1		
7,392,562 B2	7/2008	Boland et al.			
2002/0138926 A1 *	10/2002	Brown et al. ....	15/22.1		

\* cited by examiner

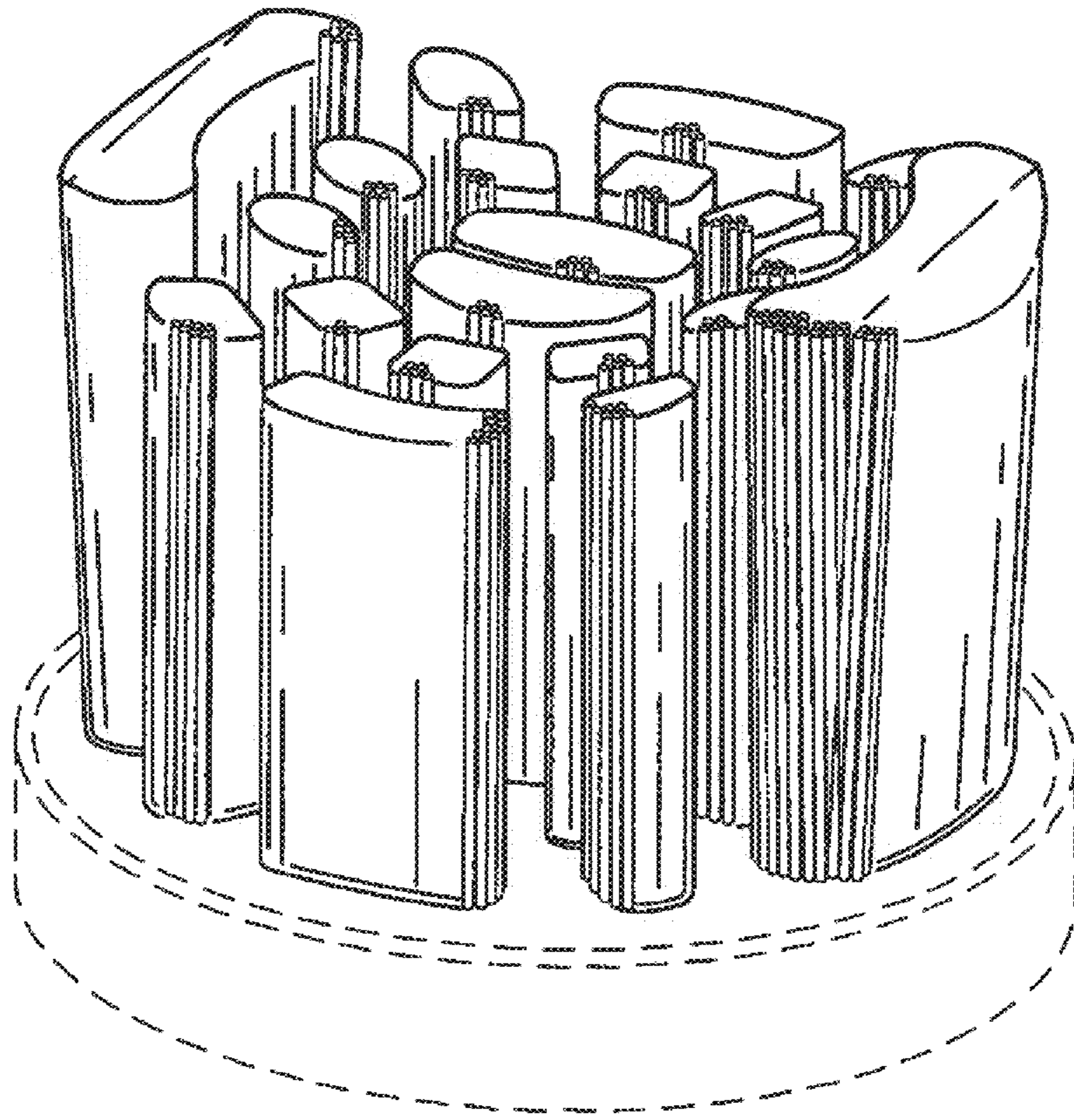


Fig. 1



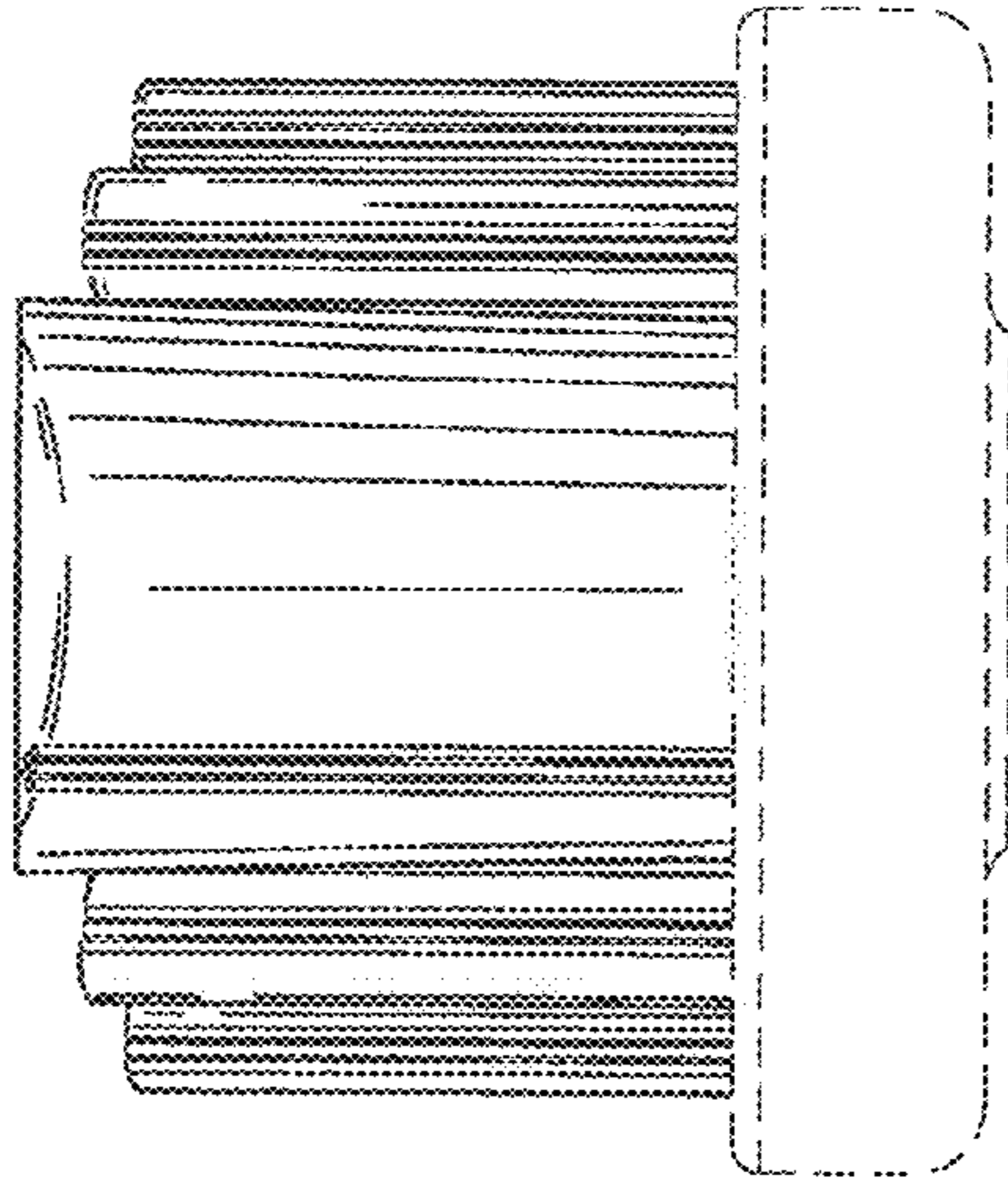


Fig. 2

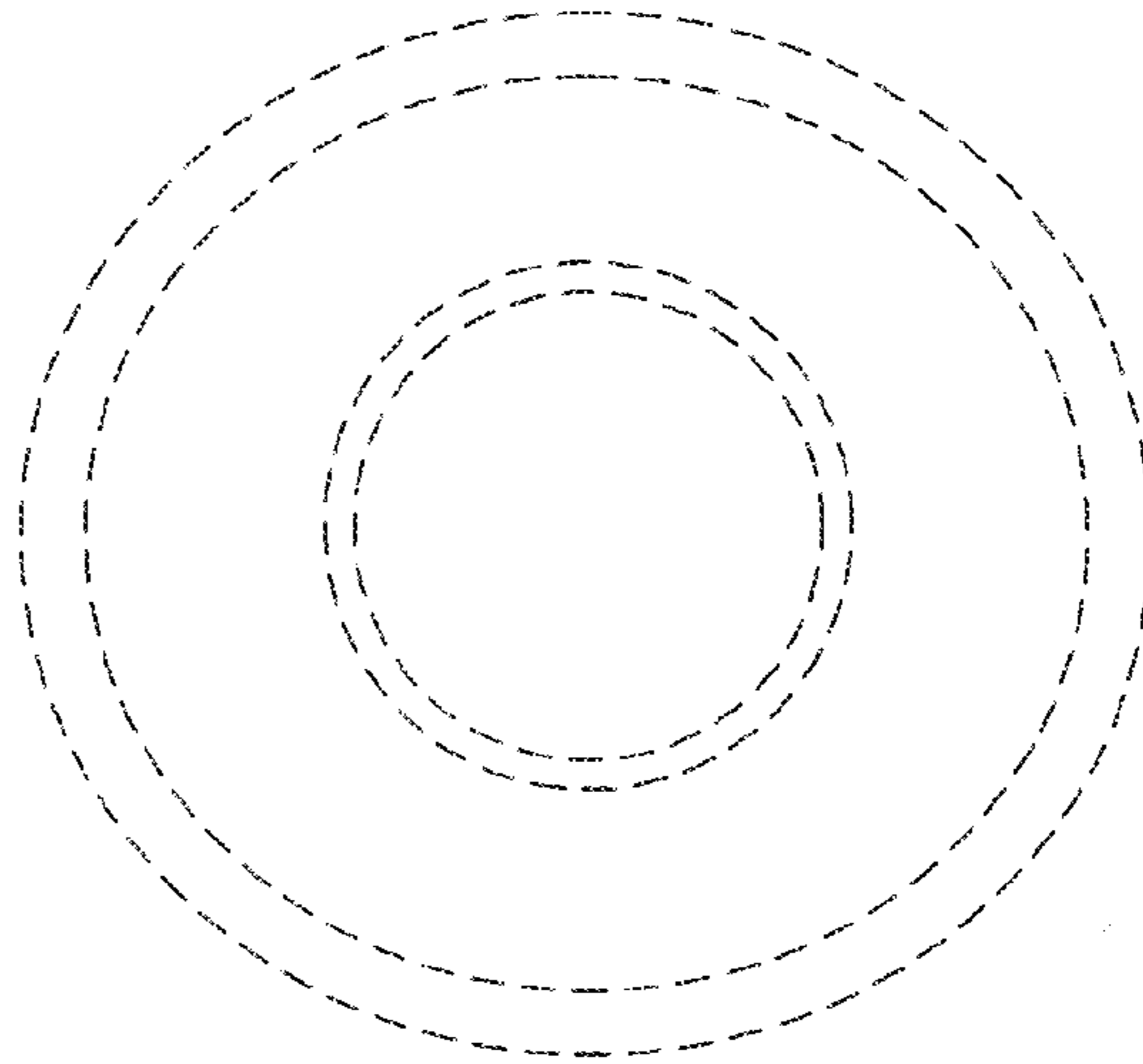


Fig. 3

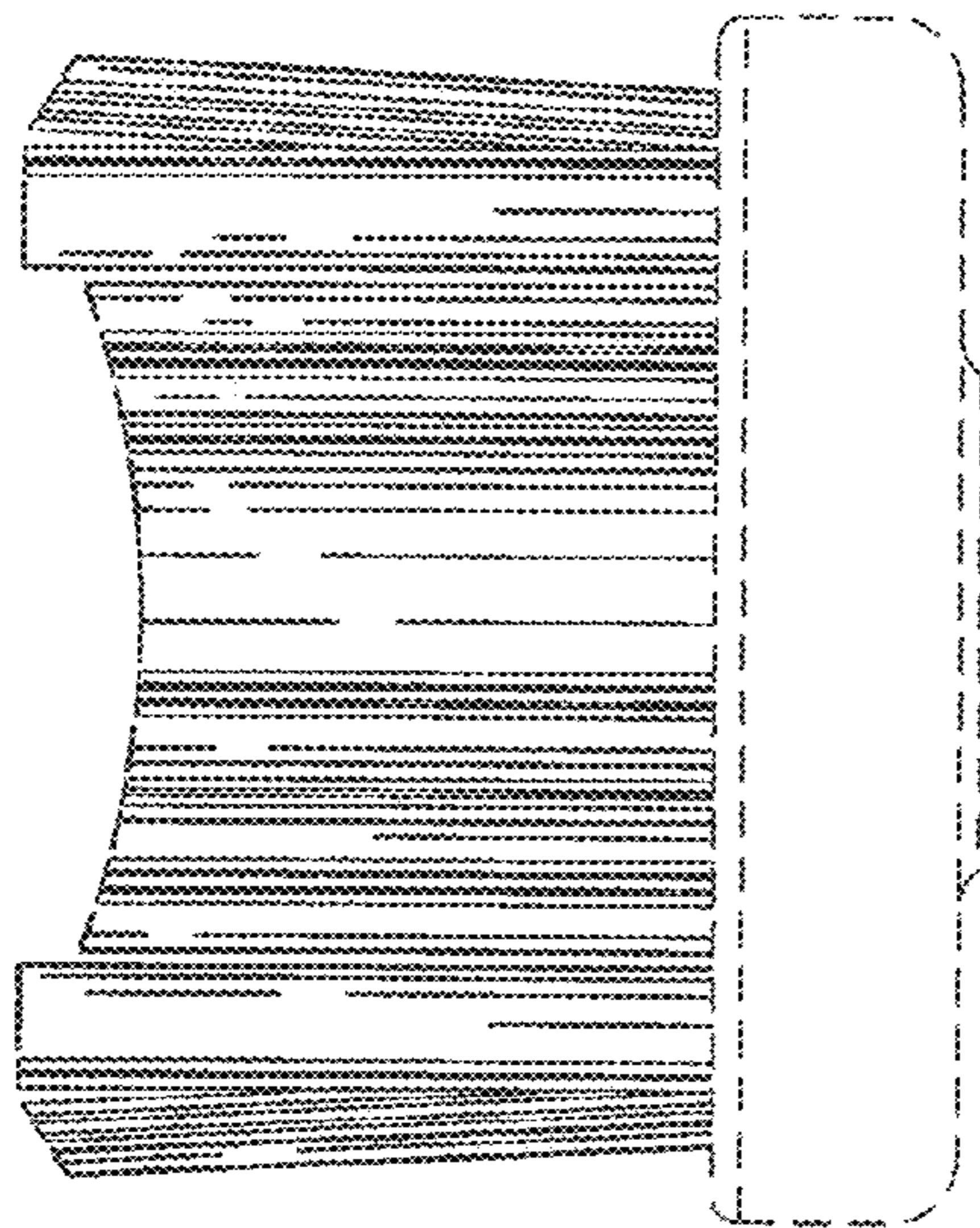


Fig. 4

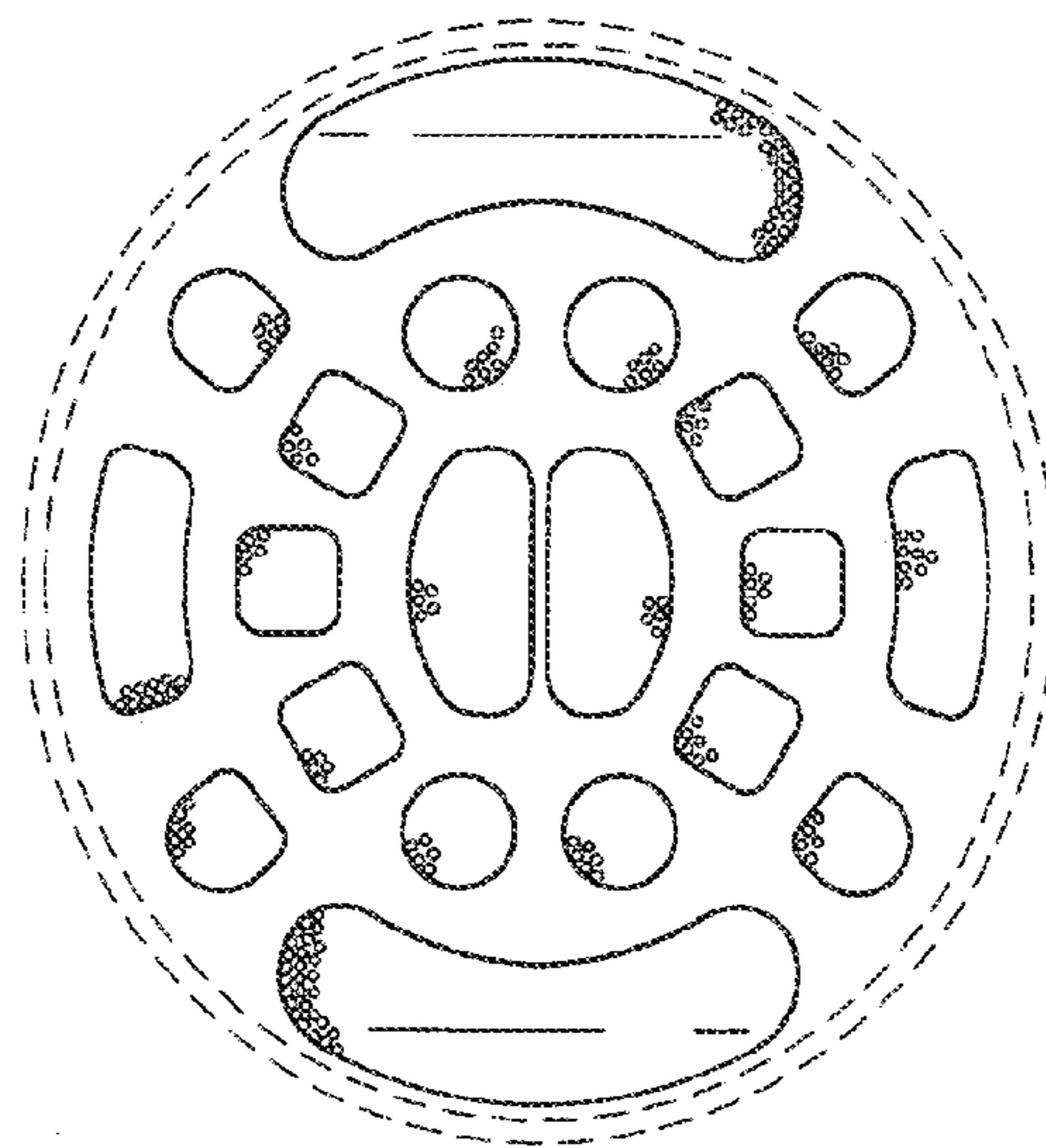


Fig. 5

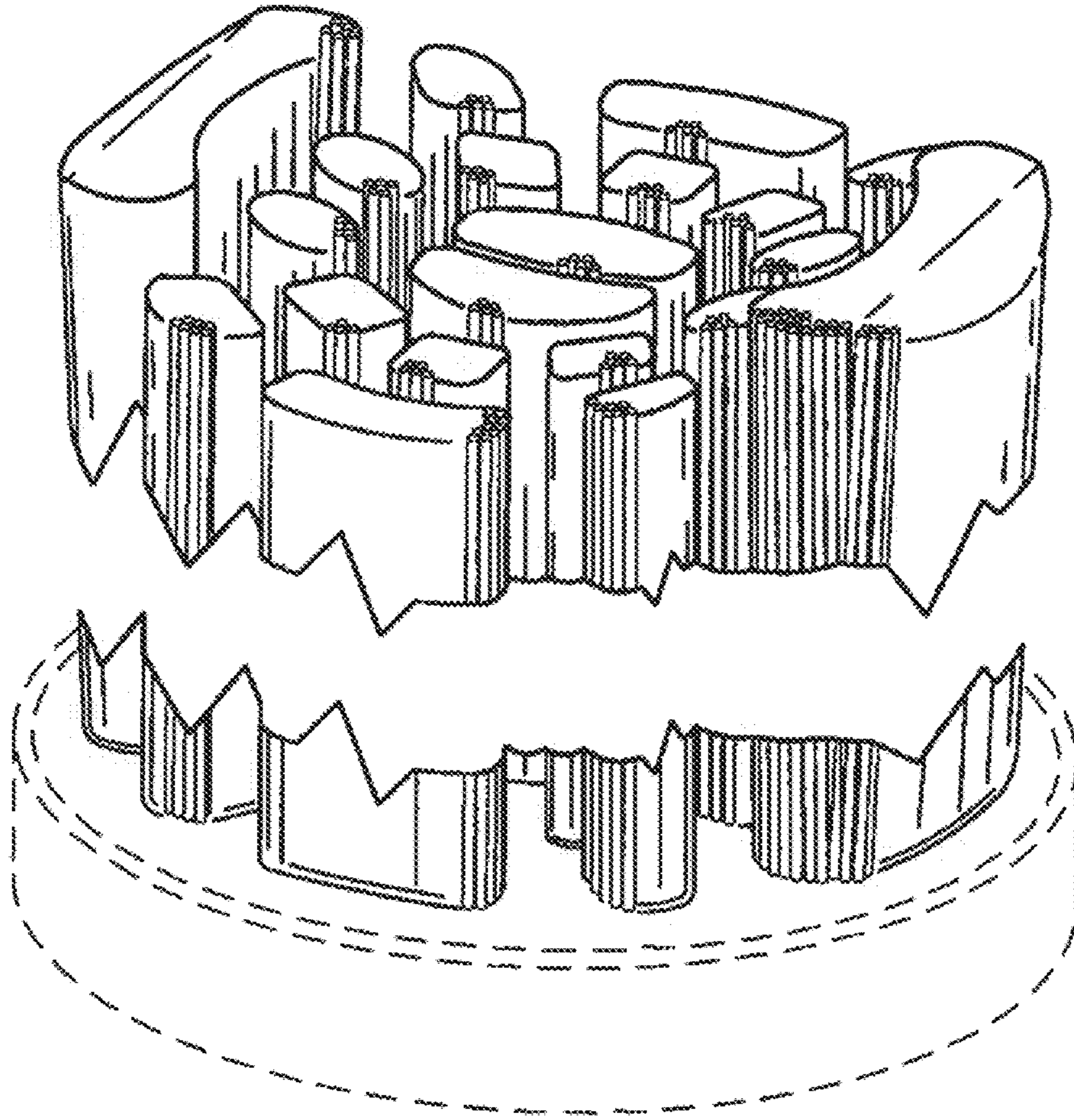


Fig. 6

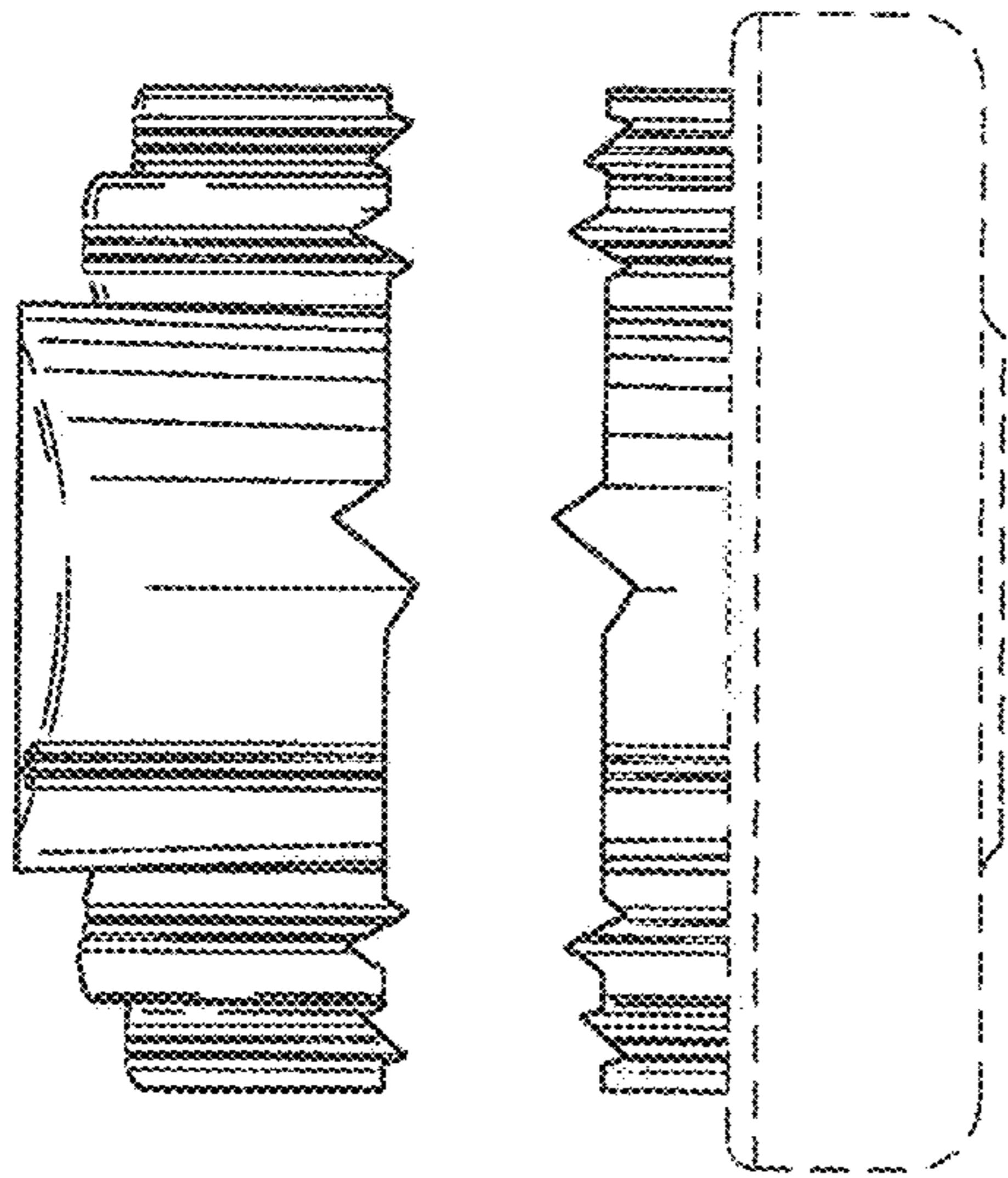


Fig. 7

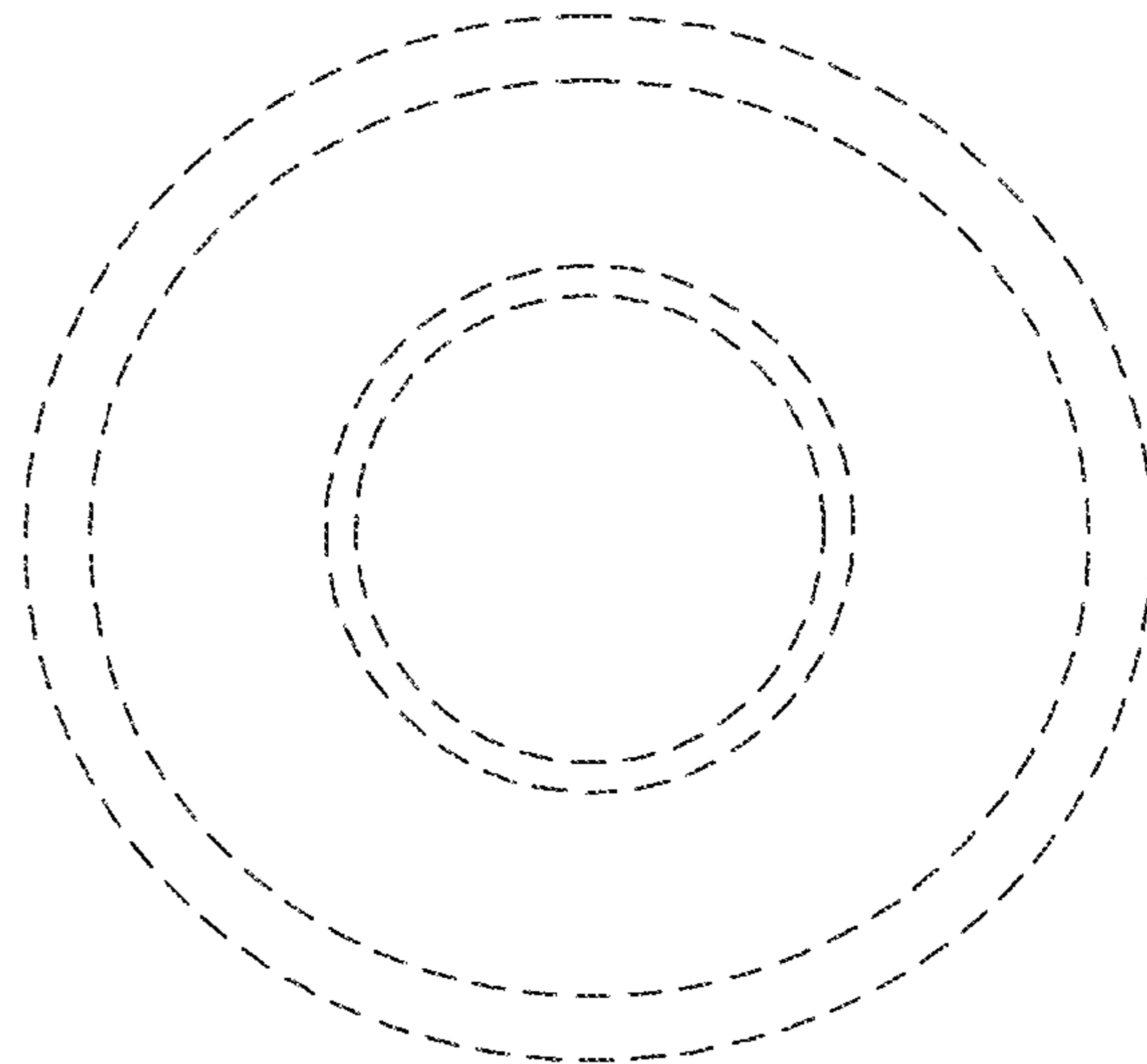


Fig. 8

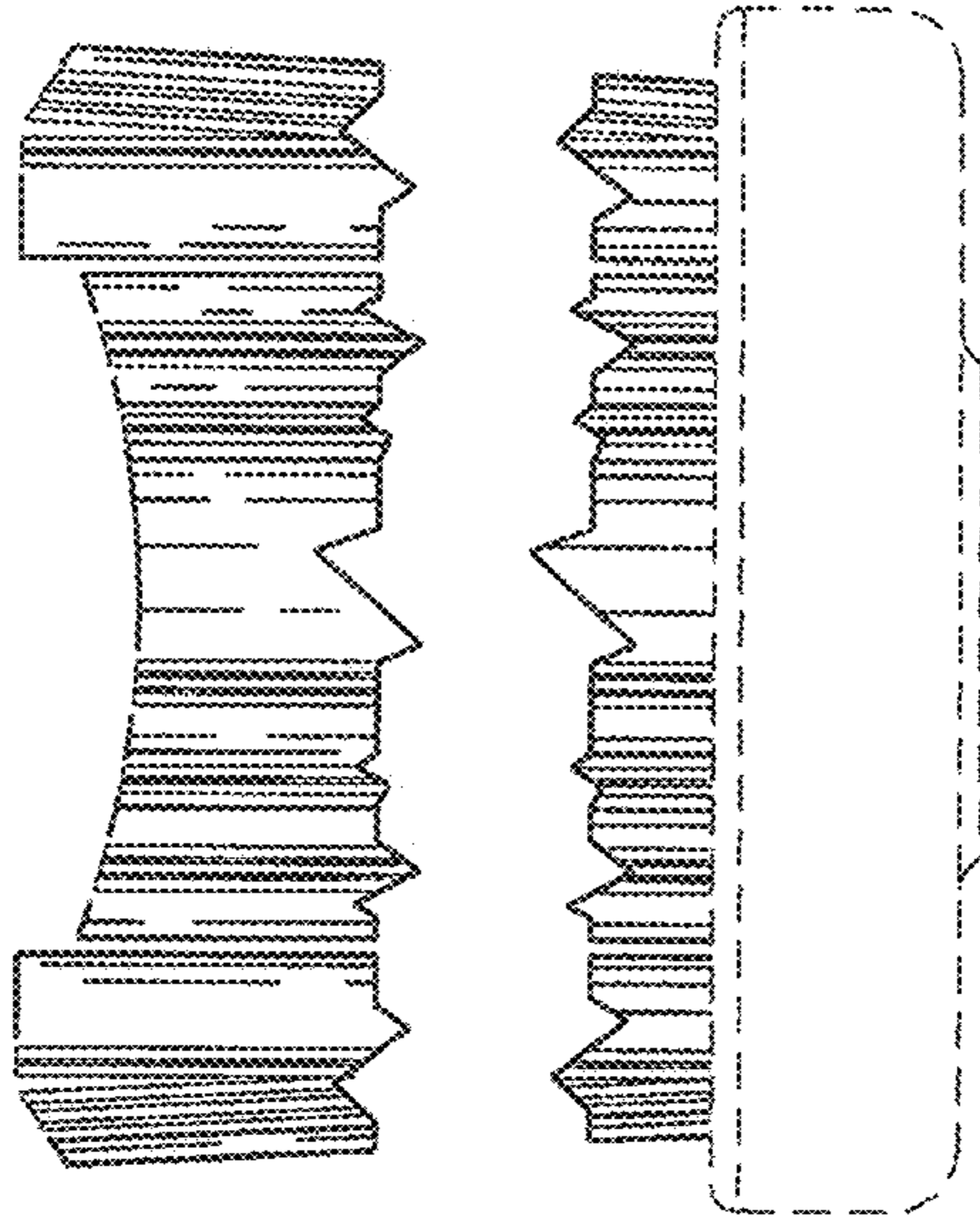


Fig. 9

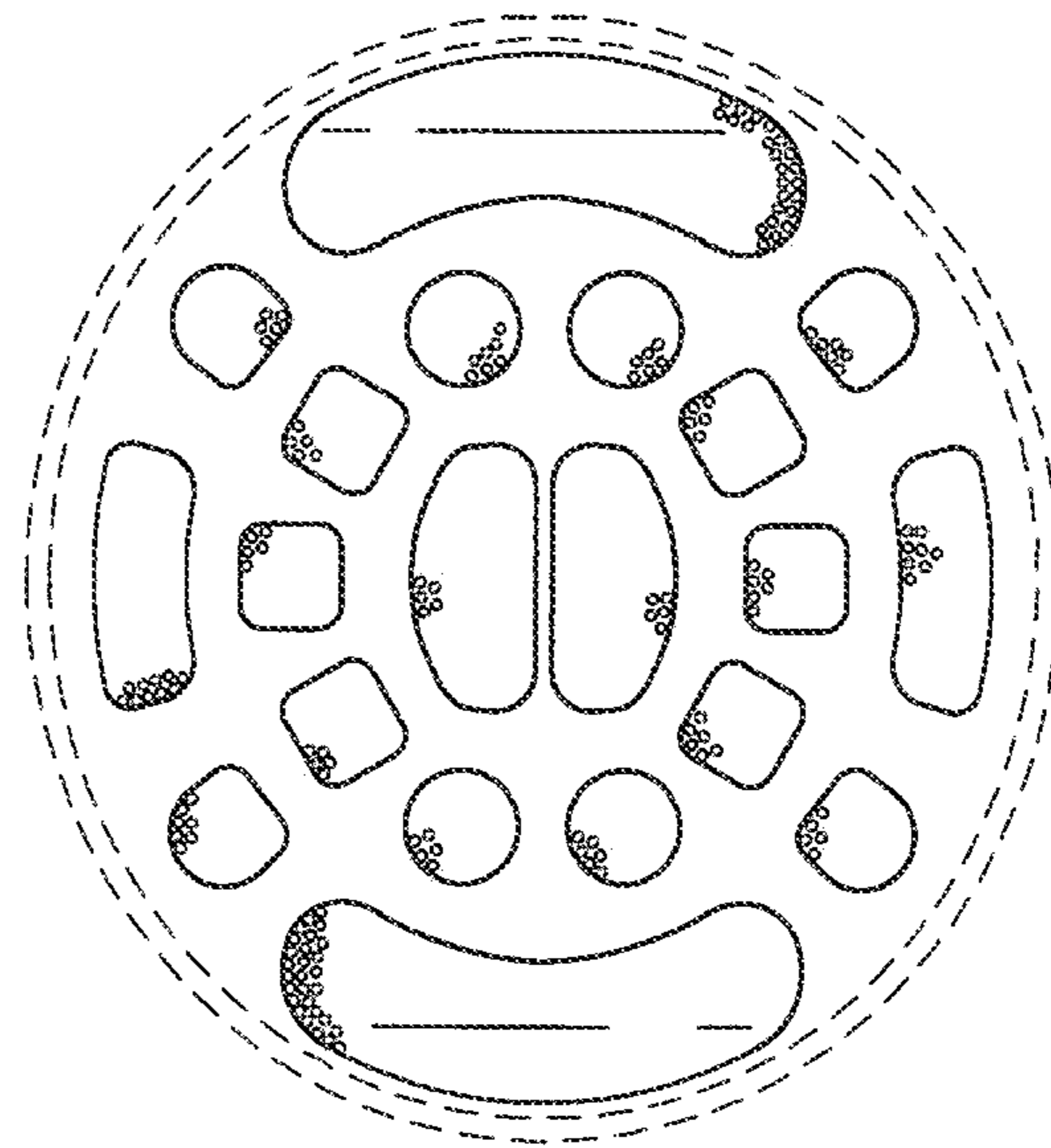


Fig. 10