



US00D606316S

(12) **United States Design Patent**
Driesen et al.

(10) **Patent No.:** **US D606,316 S**

(45) **Date of Patent:** **** *Dec. 22, 2009**

(54) **TOOTHBRUSH HEAD**

(75) Inventors: **Georges Driesen**, Weilrod (DE);
Michael Schmid, Frankfurt am Main (DE)

(73) Assignee: **The Procter & Gamble Company**,
Cincinnati, OH (US)

(*) Notice: This patent is subject to a terminal disclaimer.

(**) Term: **14 Years**

(21) Appl. No.: **29/312,674**

(22) Filed: **Nov. 6, 2008**

(51) **LOC (9) Cl.** **04-02**

(52) **U.S. Cl.** **D4/101; D4/111**

(58) **Field of Classification Search** D4/101,
D4/104-112, 127, 130; 15/28, 29, 110, 167.1,
15/167.2, DIG. 5; 132/308-311; 601/139,
601/141

See application file for complete search history.

(56) **References Cited**

U.S. PATENT DOCUMENTS

D321,285 S 11/1991 Hirabayashi

(Continued)

FOREIGN PATENT DOCUMENTS

DE	20213325	U1	*	10/2002
DE	20111428	U1	*	11/2002
DE	202007017676	U1	*	4/2008
EP	0765642	A2		4/1997
JP	2000000118	A	*	1/2000
JP	2004135935	A	*	5/2004

OTHER PUBLICATIONS

DE 40005187.7 Industrial Design Application, (Coronet-Werke GmbH), Sep. 9, 2000, [online], [retrieved on Dec. 8, 2007] Retrieved

from the Designs Register Database of the German Patent and Trade Mark Office using the Internet: <URL: https://dpinfo.dpma.de>.*

(Continued)

Primary Examiner—Robin V Webster

Assistant Examiner—Lavone D Tabor

(74) *Attorney, Agent, or Firm*—Vladimir Vitenberg; George H. Leal; James C. Vago

(57) **CLAIM**

The ornamental design for a toothbrush head, as shown and described.

DESCRIPTION

FIG. 1 is a perspective view of a first embodiment of a toothbrush head, showing our new ornamental design, wherein tufts are formed by pluralities of bristles;

FIG. 2 is a front view thereof;

FIG. 3 is a bottom view thereof;

FIG. 4 is a side view thereof, the opposite side view being a mirror image thereof; and

FIG. 5 is a top view thereof.

FIG. 6 is a perspective view of a second embodiment of a toothbrush head, showing our new ornamental design, wherein tufts are formed by pluralities of bristles;

FIG. 7 is a front view thereof;

FIG. 8 is a bottom view thereof;

FIG. 9 is a side view thereof, the opposite side view being a mirror image thereof; and,

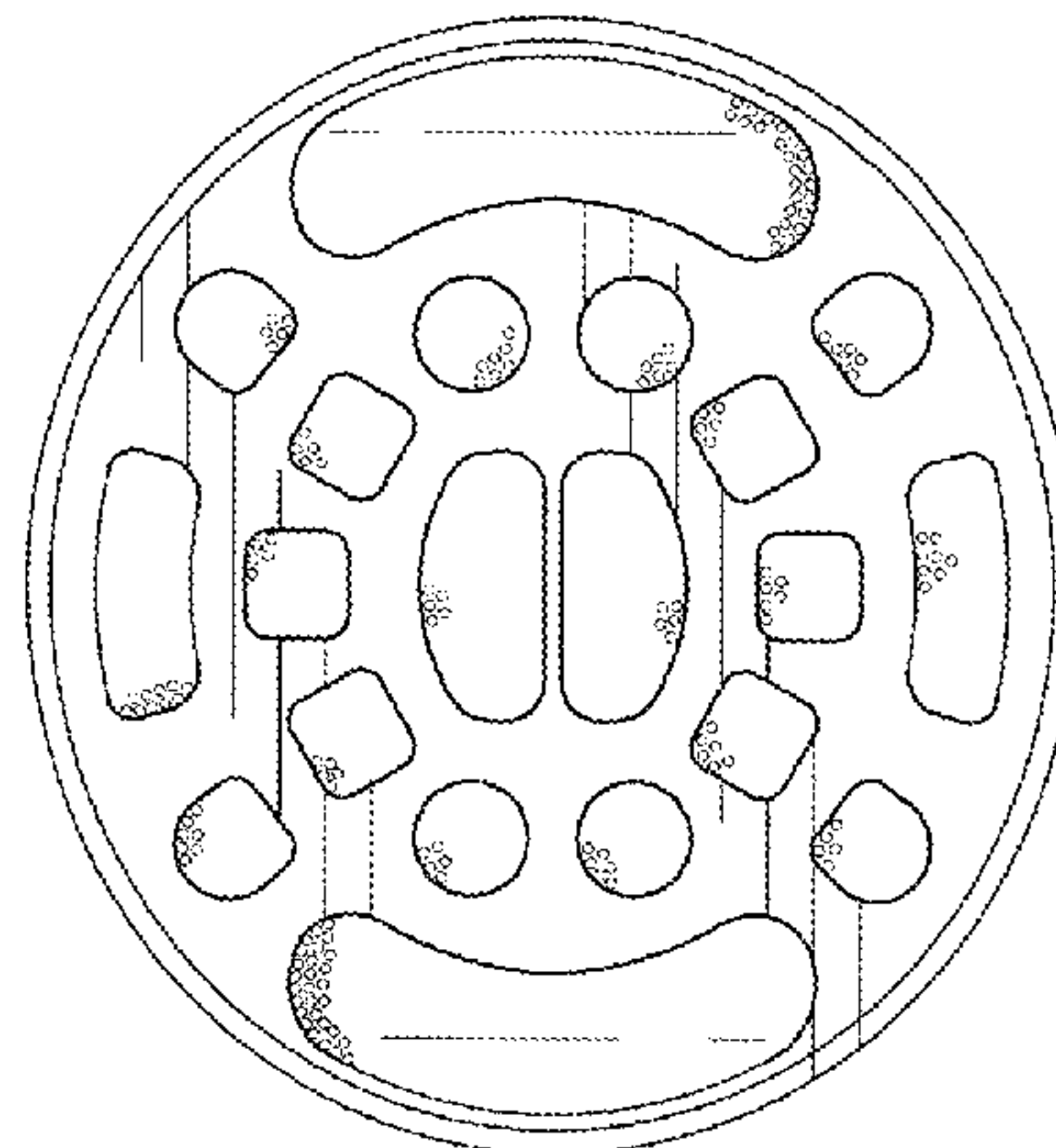
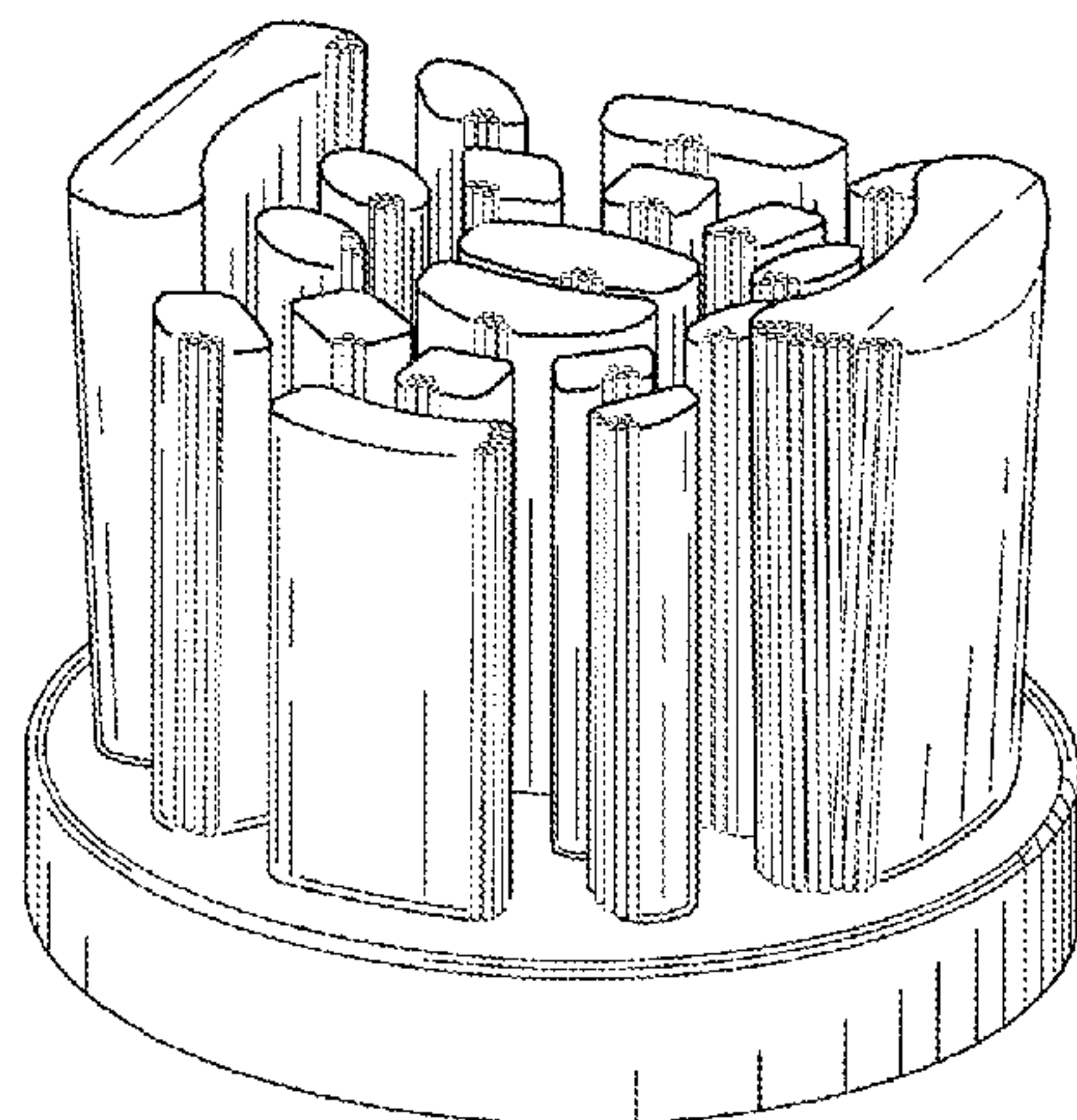
FIG. 10 is a top view thereof.

The broken line shown in FIGS. 2-4 and 7-9 represents the bounds of the claim and forms no part thereof.

The bristle tufts are shown broken away to indicate that no particular length is being claimed.

Pluralities of individual bristles shown, for convenience, only partially in each of the tufts continue throughout and fill respective tufts in accordance with the contours outlined by the endless straight/curved lines.

1 Claim, 4 Drawing Sheets



US D606,316 S

Page 2

U.S. PATENT DOCUMENTS

D397,252 S 8/1998 Allende
6,021,538 A * 2/2000 Kressner et al. 15/28
6,058,541 A 5/2000 Masterman et al.
D456,607 S * 5/2002 Carlucci et al. D4/101
D462,173 S 9/2002 Eliav et al.
D465,655 S 11/2002 Kraemer
D478,212 S 8/2003 Winkler
D478,214 S 8/2003 Winkler et al.
D479,046 S 9/2003 Winkler
6,665,901 B2 * 12/2003 Driesen et al. 15/167.1
6,957,468 B2 * 10/2005 Driesen et al. 15/167.1
7,275,277 B2 * 10/2007 Moskovich et al. 15/167.1

7,392,562 B2 7/2008 Boland et al.
2002/0138926 A1 * 10/2002 Brown et al. 15/22.1

OTHER PUBLICATIONS

Office Actions for U.S. Appl. No. 10/666,497, filed Sep. 19, 2003,
Chenvainu et al.
Office Actions for U.S. Appl. No. 09/824,310, filed Apr. 2, 2001,
Brown, Jr. et al.
Office Actions for U.S. Appl. No. 11/513,632, filed Aug. 31, 2006,
Brown, Jr. et al.
Office Actions for U.S. Appl. No. 12/008,774, filed Jan. 14, 2008,
Brown, Jr. et al.

* cited by examiner

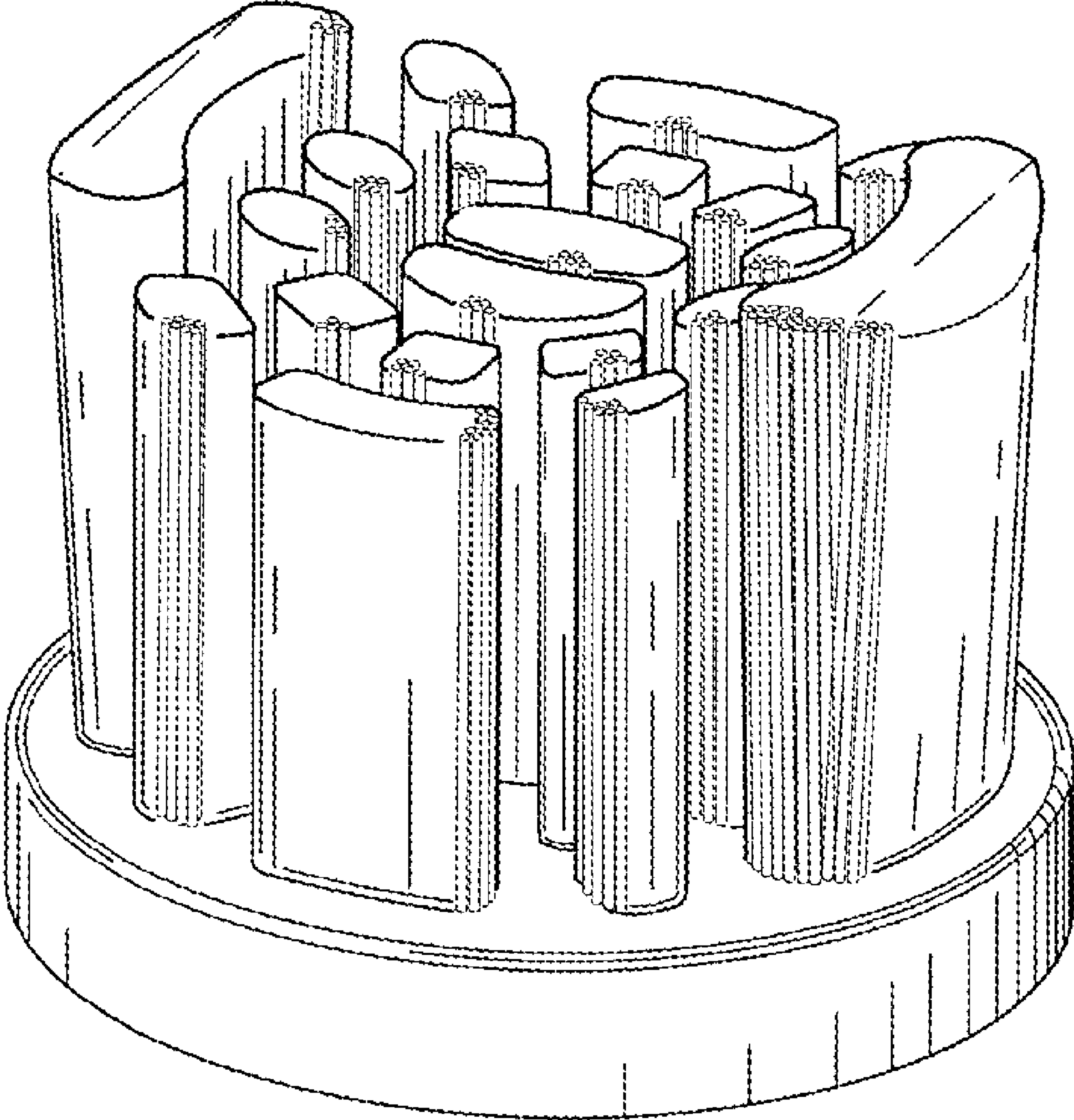


Fig. 1

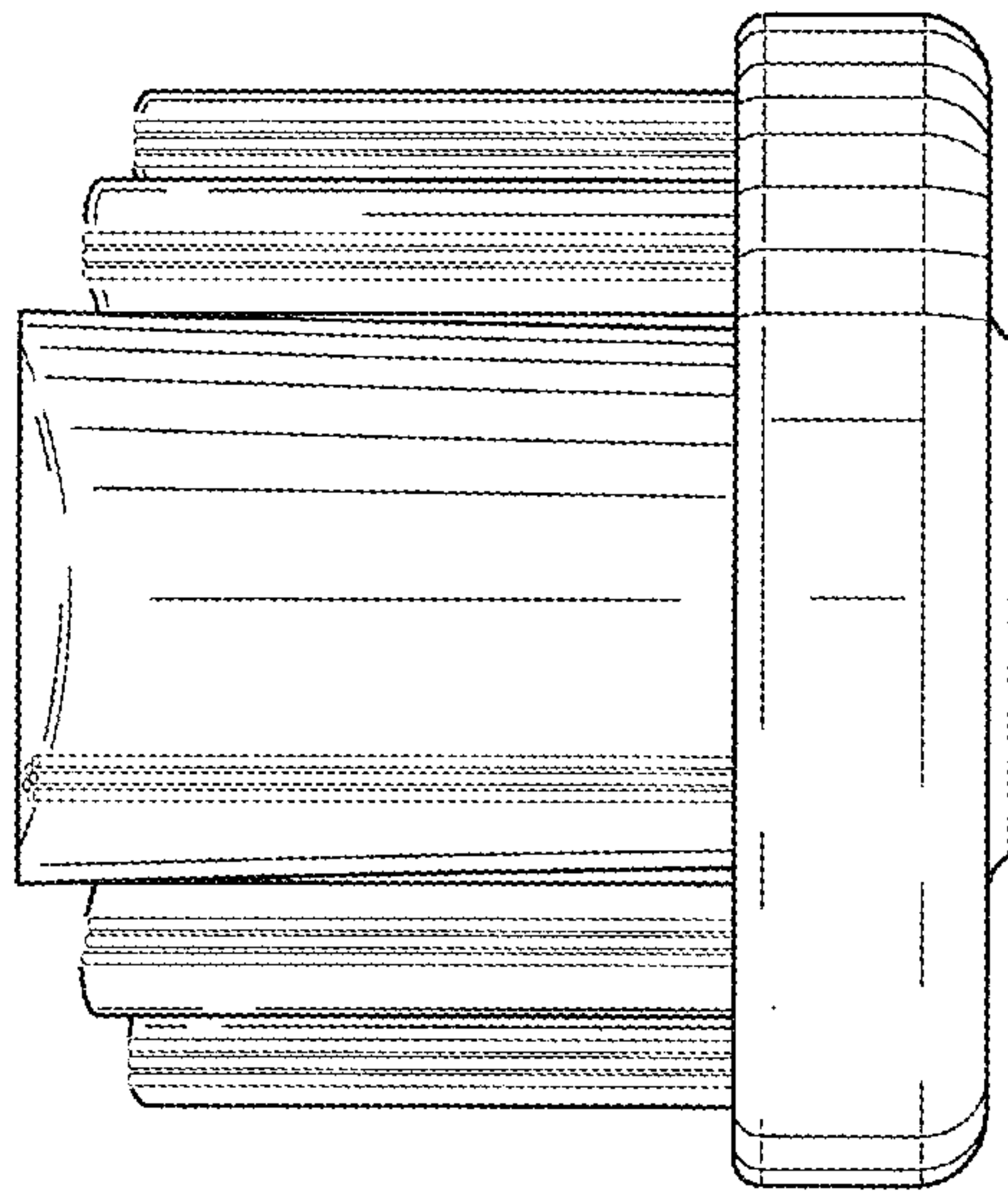


Fig. 2

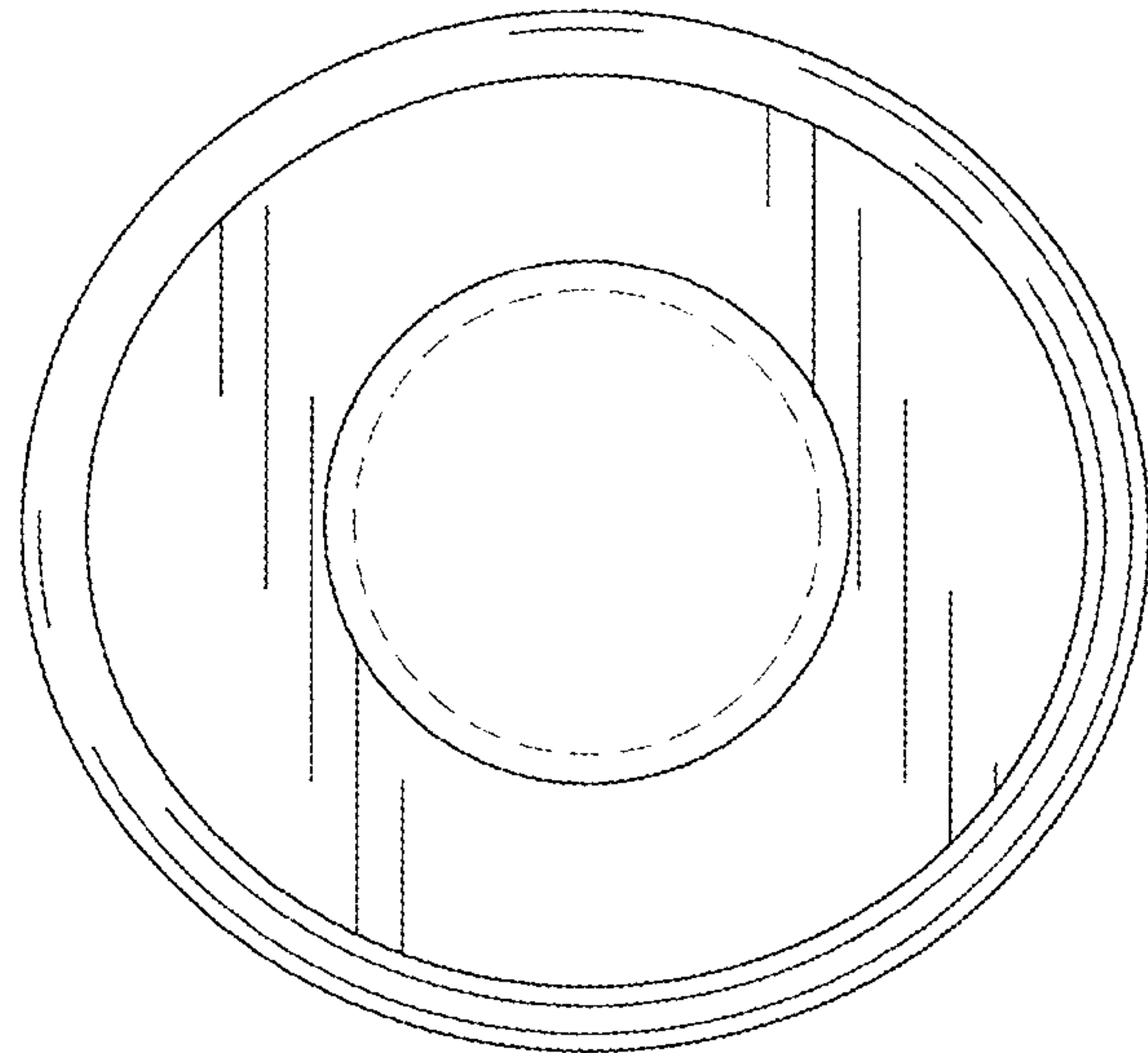


Fig. 3

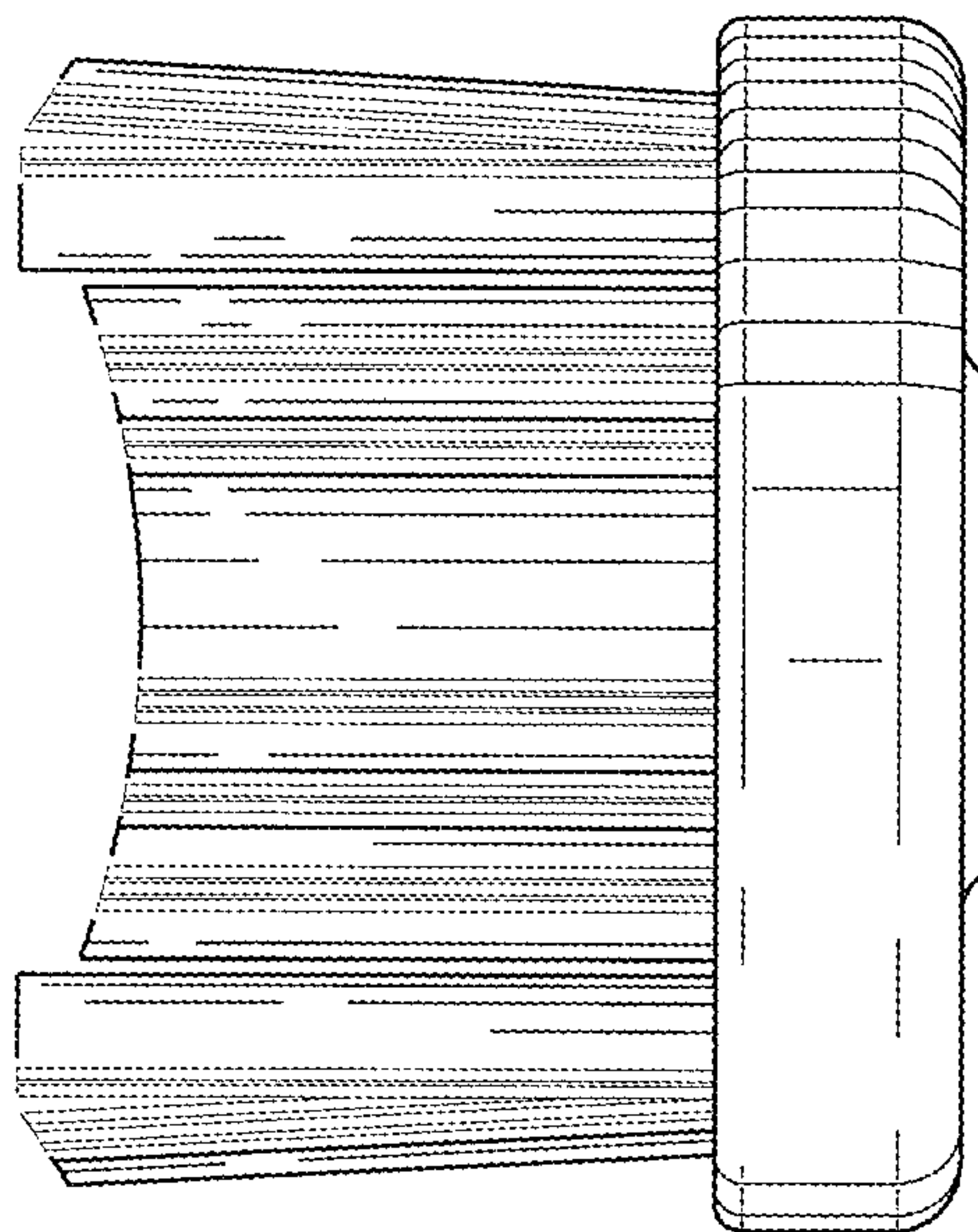


Fig. 4

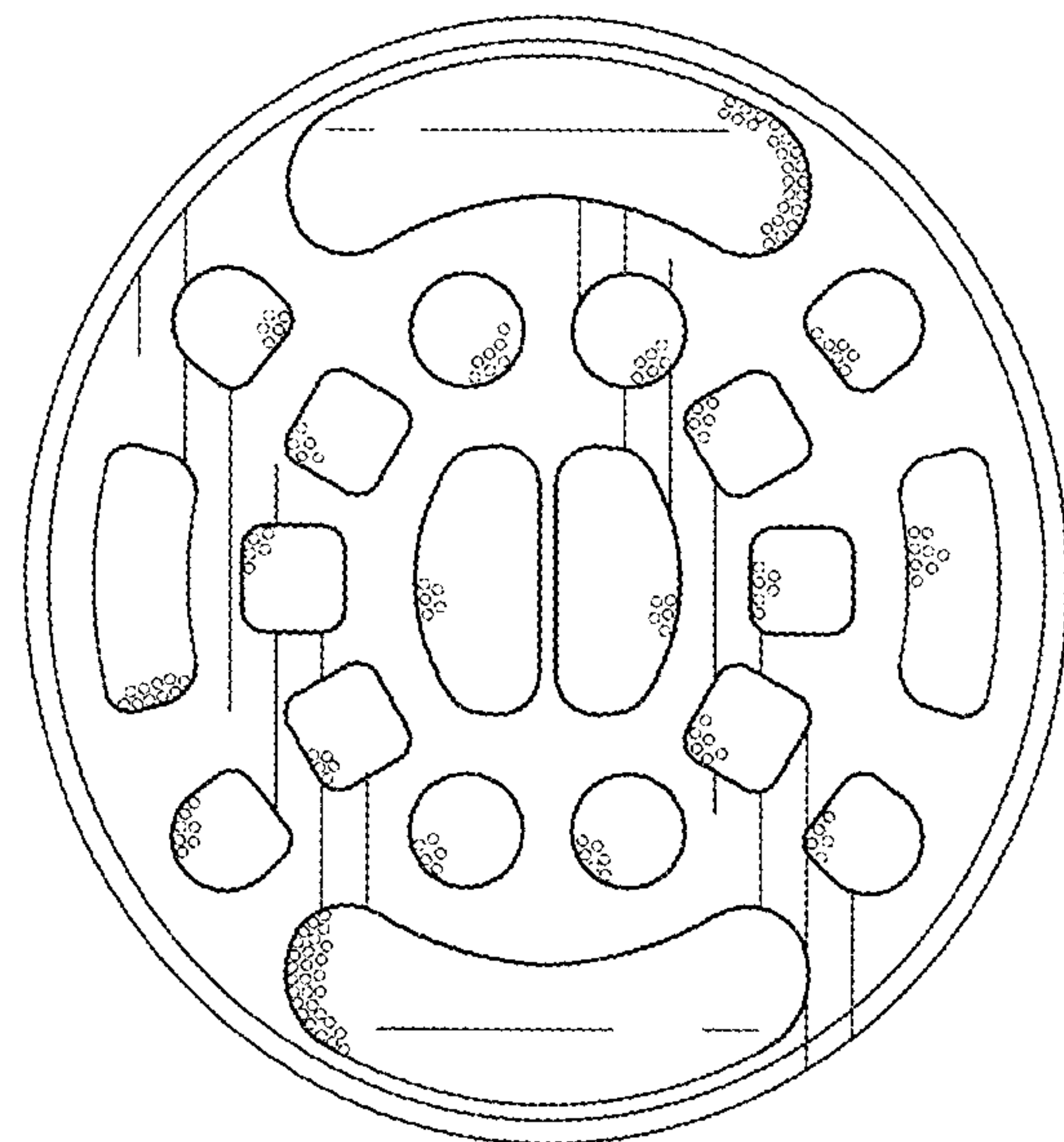


Fig. 5

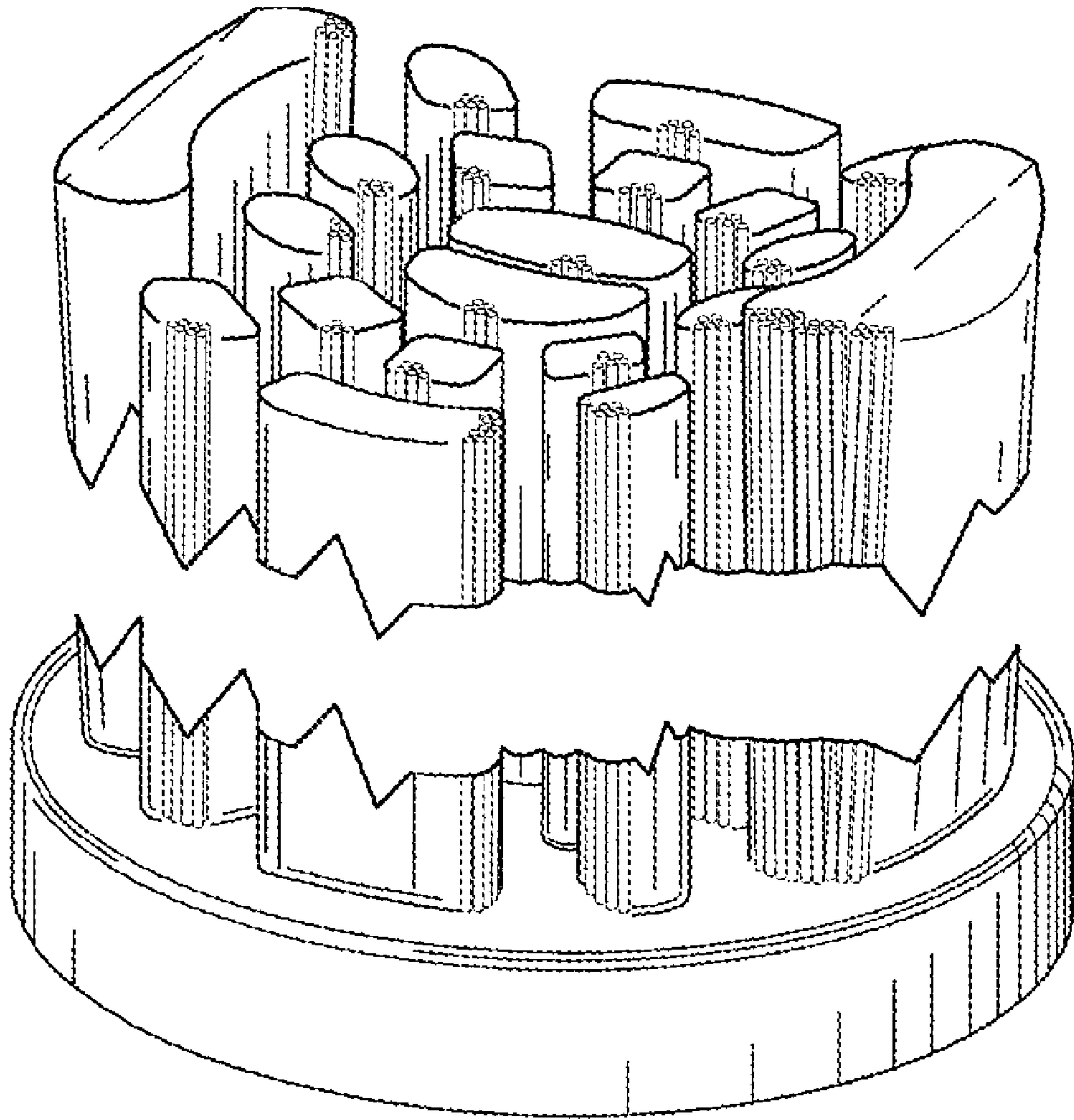


Fig. 6

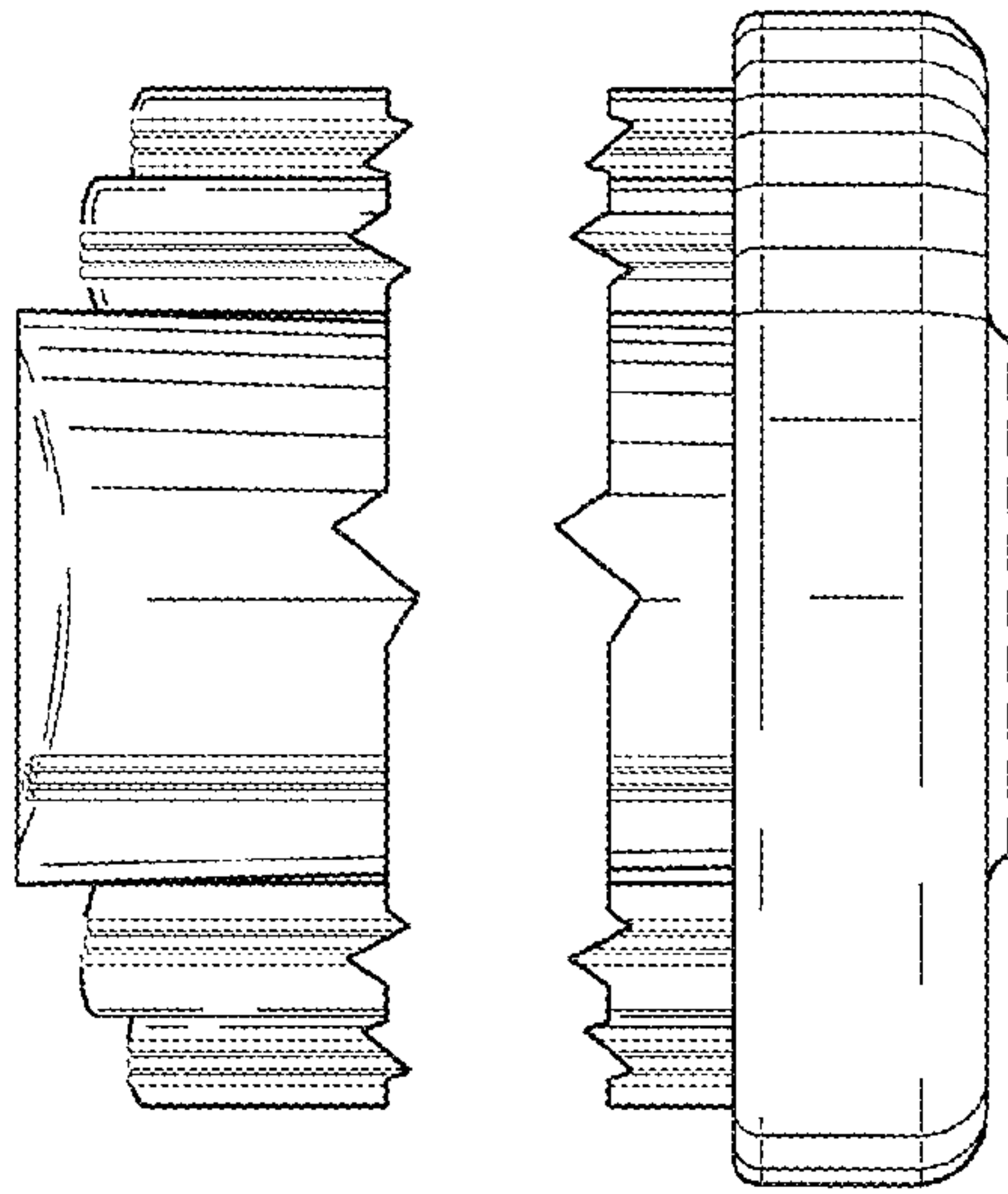


Fig. 7

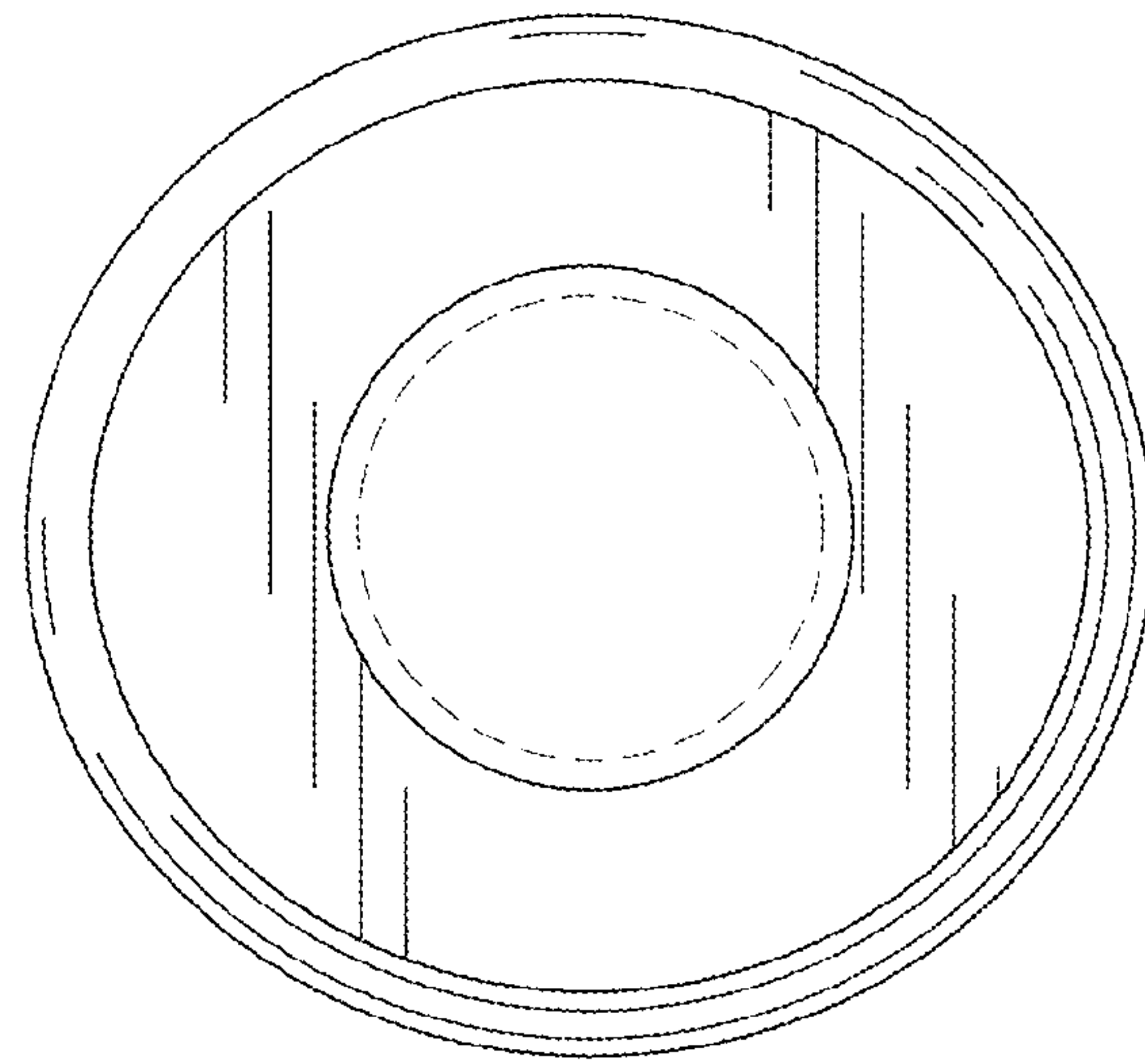


Fig. 8

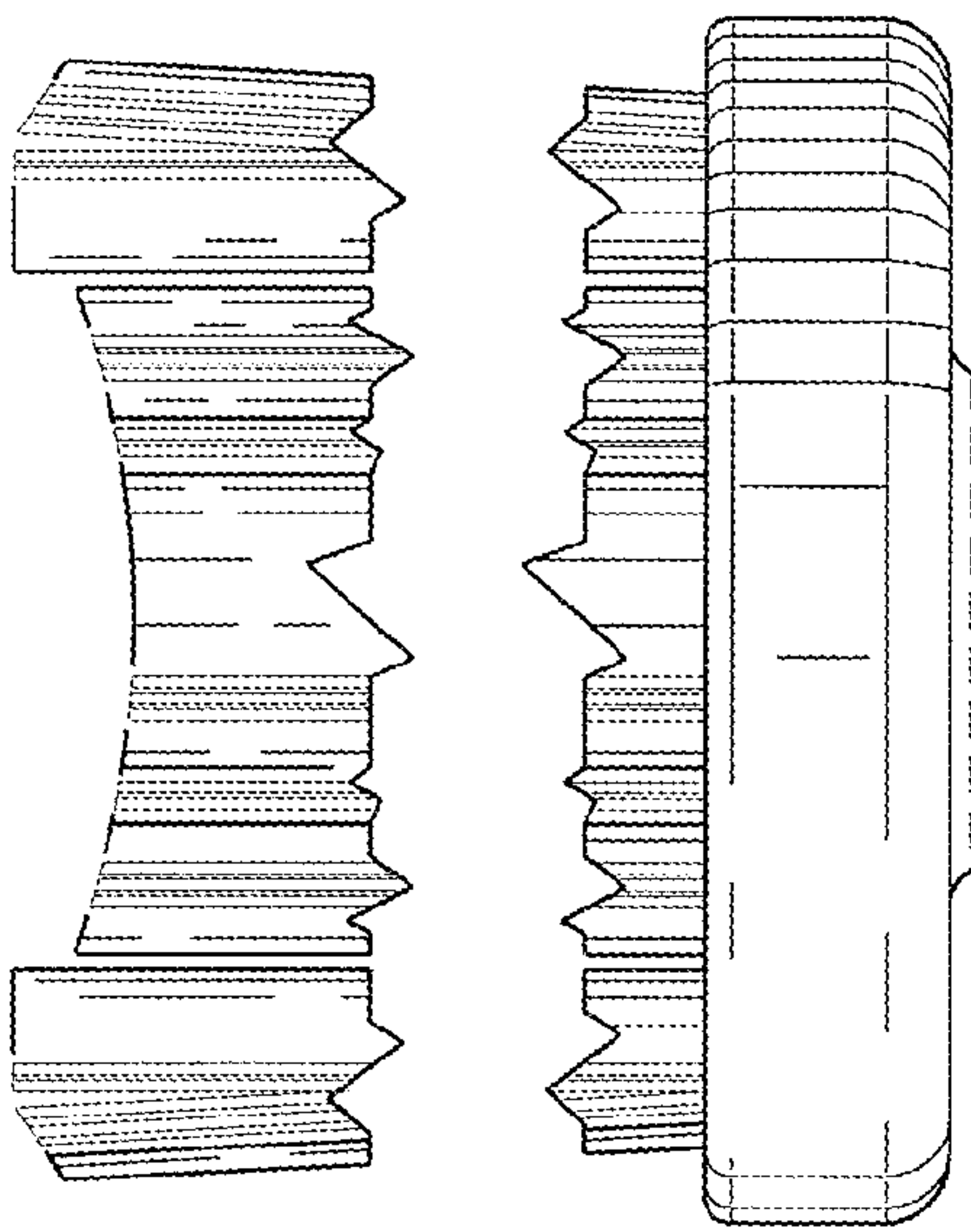


Fig. 9

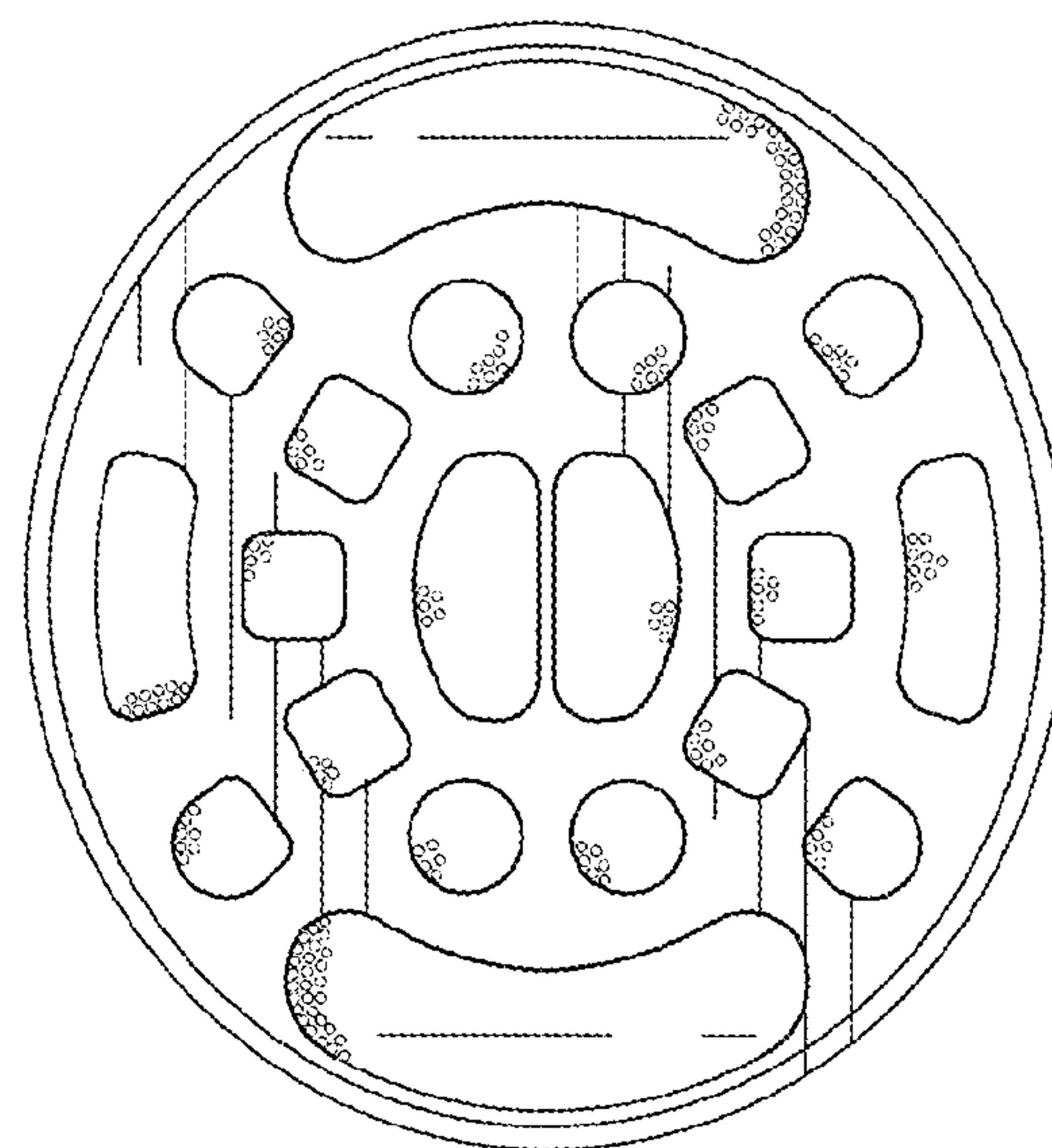


Fig. 10