



US00D606315S

(12) **United States Design Patent**  
**Mangano et al.**

(10) **Patent No.:** **US D606,315 S**

(45) **Date of Patent:** **\*\* Dec. 22, 2009**

(54) **LUGGAGE CUFF**

(75) Inventors: **Joy Mangano**, St. James, NY (US);  
**Brian Scevola**, Palm Habor, FL (US)

(73) Assignee: **Ingenious Designs, LLC**, Edgewood,  
NY (US)

(\*\*) Term: **14 Years**

(21) Appl. No.: **29/300,876**

(22) Filed: **May 23, 2008**

(51) **LOC (9) Cl.** ..... **03-01**

(52) **U.S. Cl.** ..... **D3/318**

(58) **Field of Classification Search** ..... D3/318,  
D3/321, 322, 276, 277, 279, 283, 902; 190/18 A,  
190/100, 103, 109, 112, 124

See application file for complete search history.

(56) **References Cited**

**U.S. PATENT DOCUMENTS**

2,449,181	A *	9/1948	Smiley	40/633
D247,482	S *	3/1978	Schupp	D11/4
4,226,036	A *	10/1980	Krug	40/633
D303,639	S *	9/1989	Wagner	D11/4
D486,646	S *	2/2004	Chen	D3/318

\* cited by examiner

*Primary Examiner*—Holly H Baynham

*Assistant Examiner*—Sheryl Lane

(74) *Attorney, Agent, or Firm*—Kenyon & Kenyon LLP

(57) **CLAIM**

The ornamental design for a luggage cuff, as shown and described.

**DESCRIPTION**

FIG. 1 is a perspective view of a luggage cuff showing our new design;

FIG. 2 is a front elevational view of the luggage cuff of FIG. 1;

FIG. 3 is a rear elevational view of the luggage cuff of FIG. 1;

FIG. 4 is a left elevational view of the luggage cuff of FIG. 1;

FIG. 5 is a right elevational view view of the luggage cuff of FIG. 1;

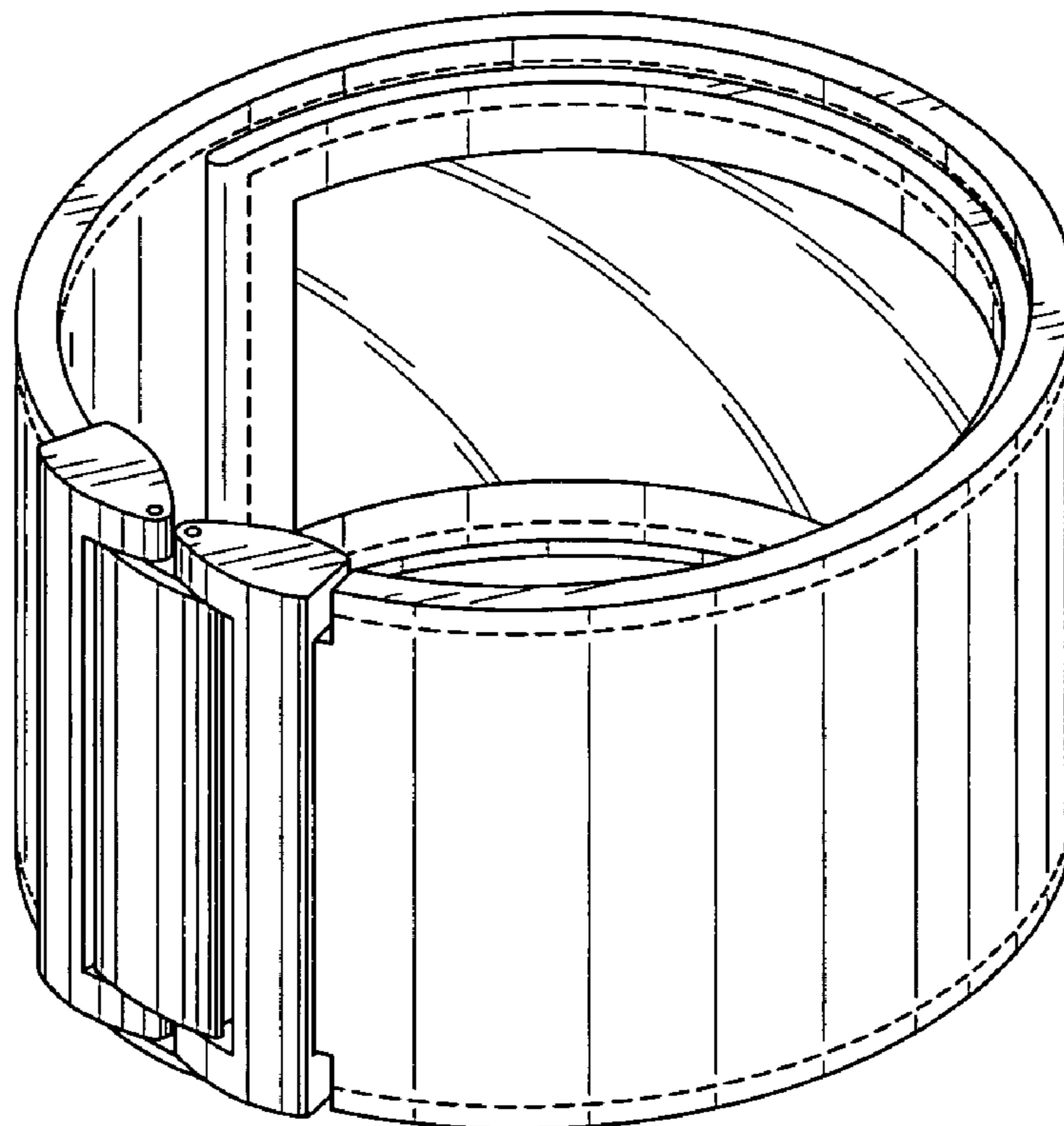
FIG. 6 is a top plan view of the luggage cuff of FIG. 1;

FIG. 7 is a bottom plan view of the luggage cuff of FIG. 1; and,

FIG. 8 is a perspective view of the luggage cuff of FIG. 1 in an open position.

The broken lines in the drawings are included to show stitching and are not part of the claimed design.

**1 Claim, 5 Drawing Sheets**



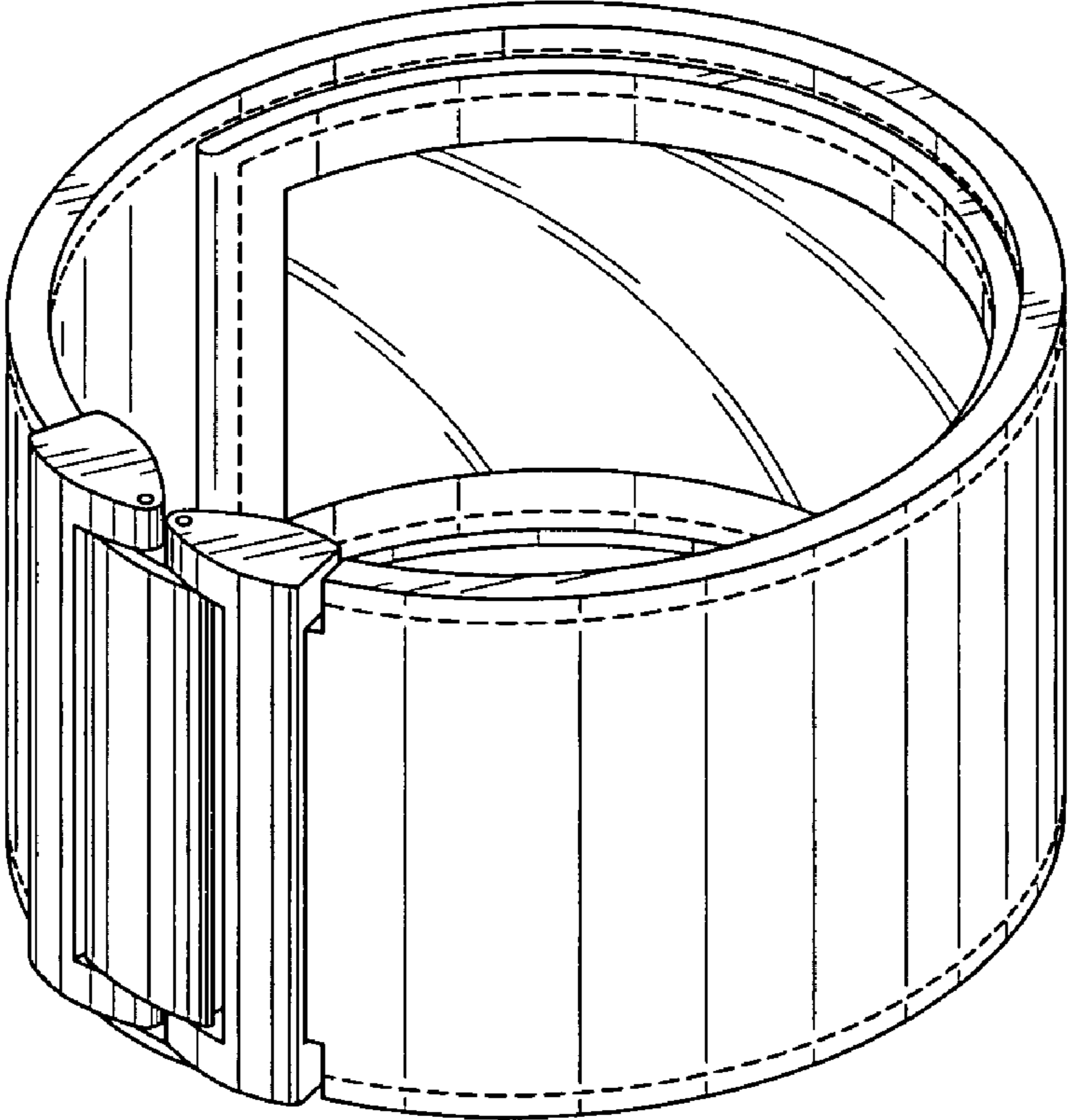


FIG. 1

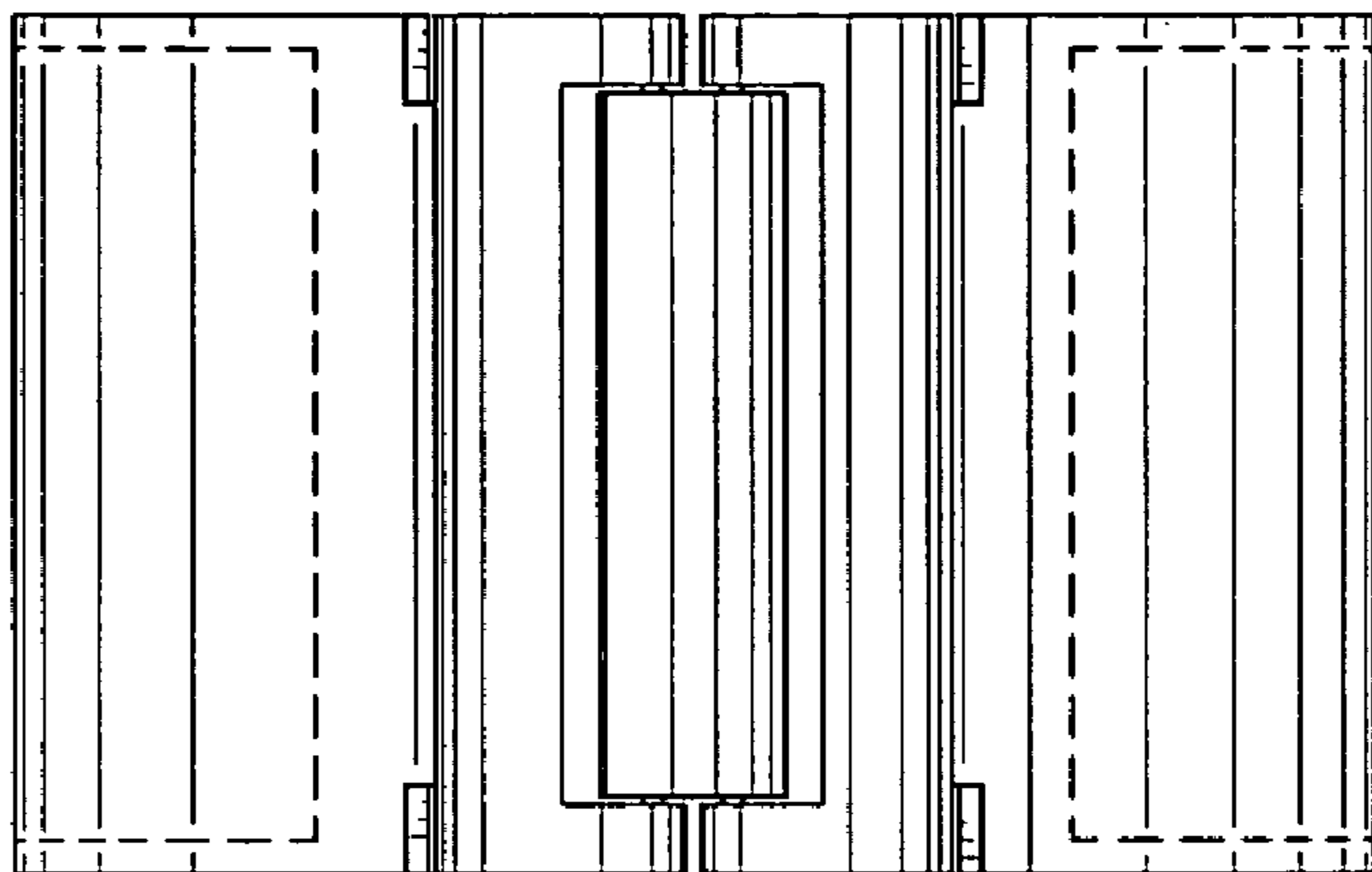


FIG. 2

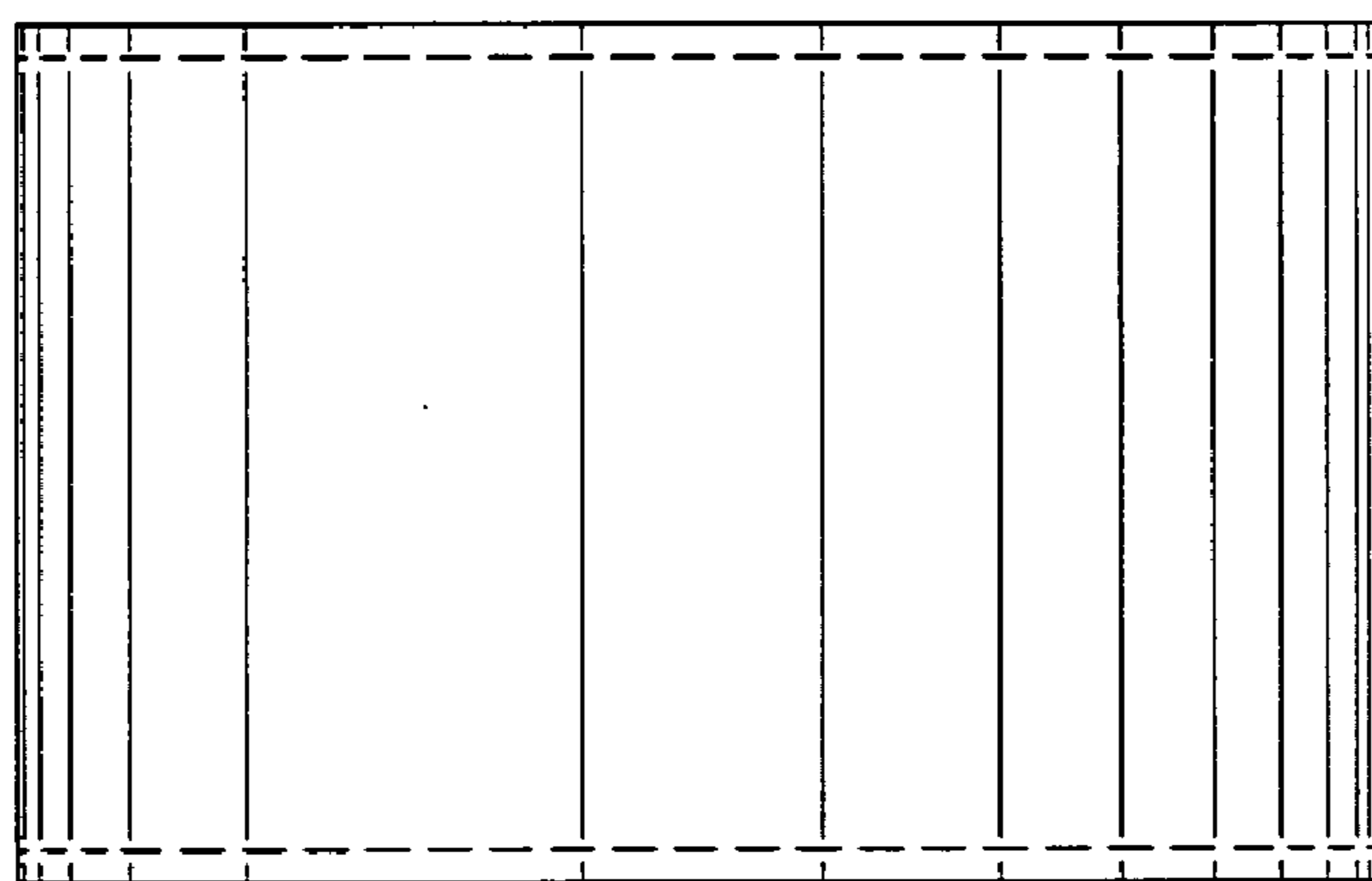


FIG. 3

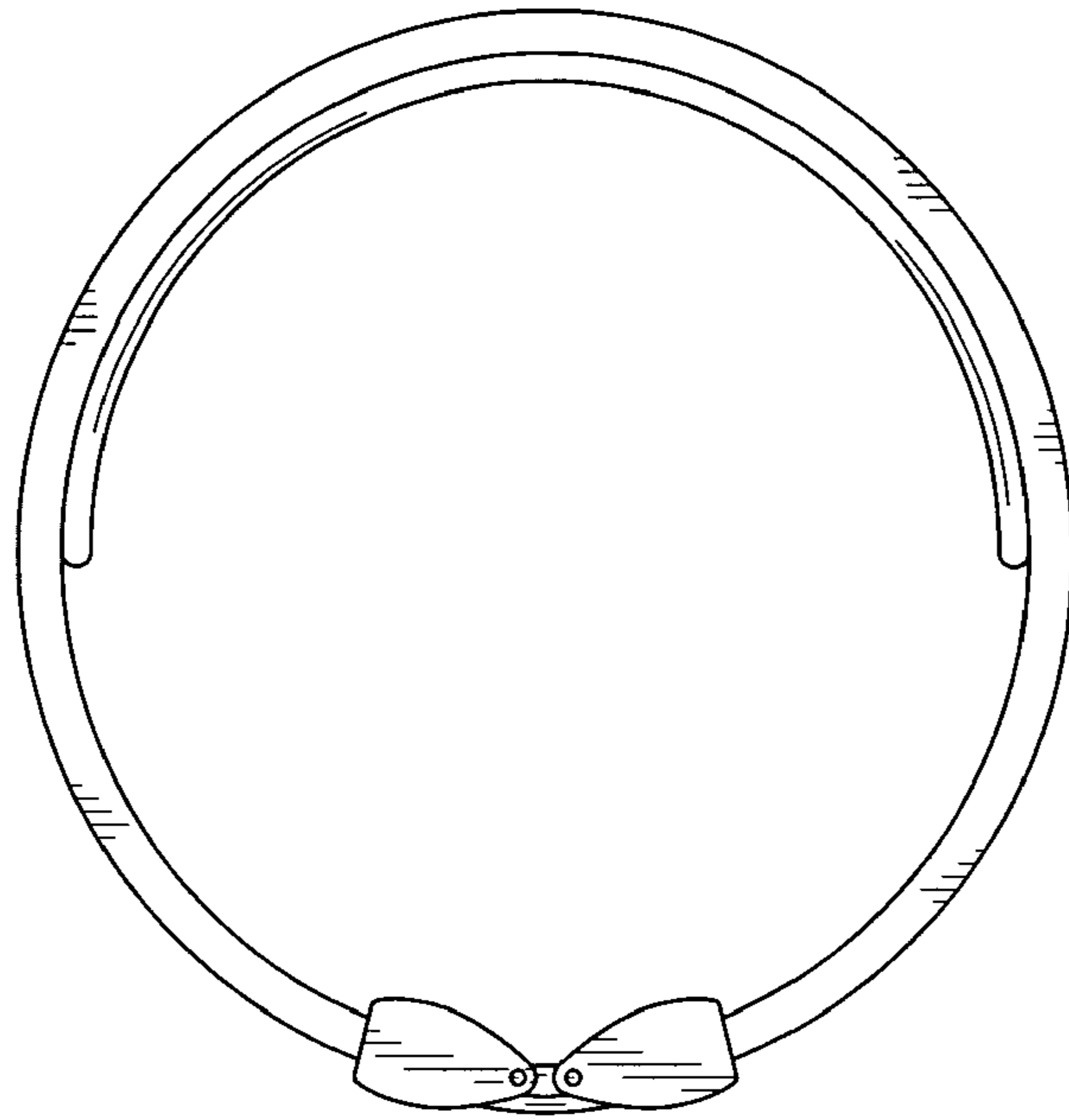


FIG. 4

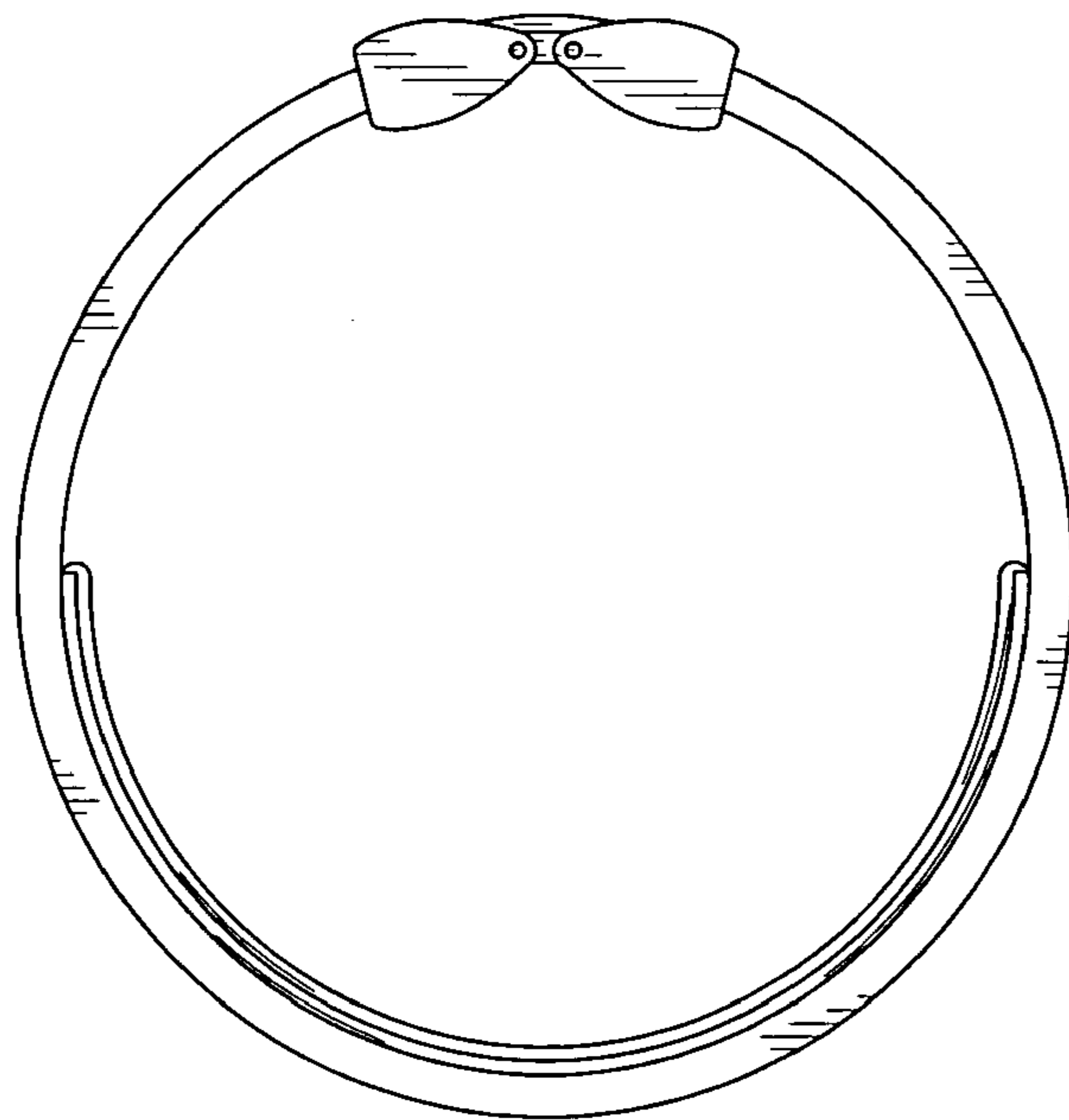


FIG. 5

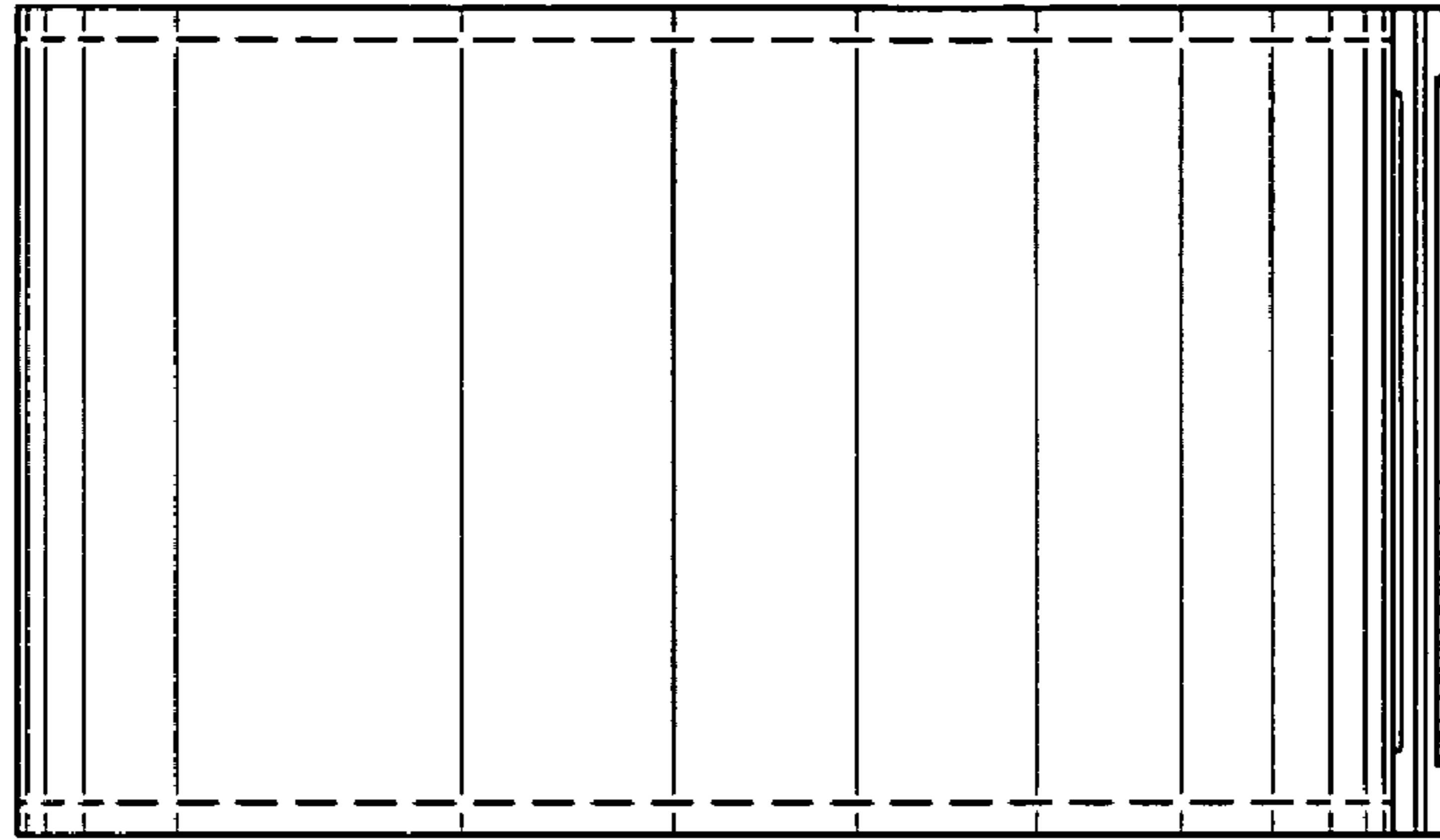


FIG. 6

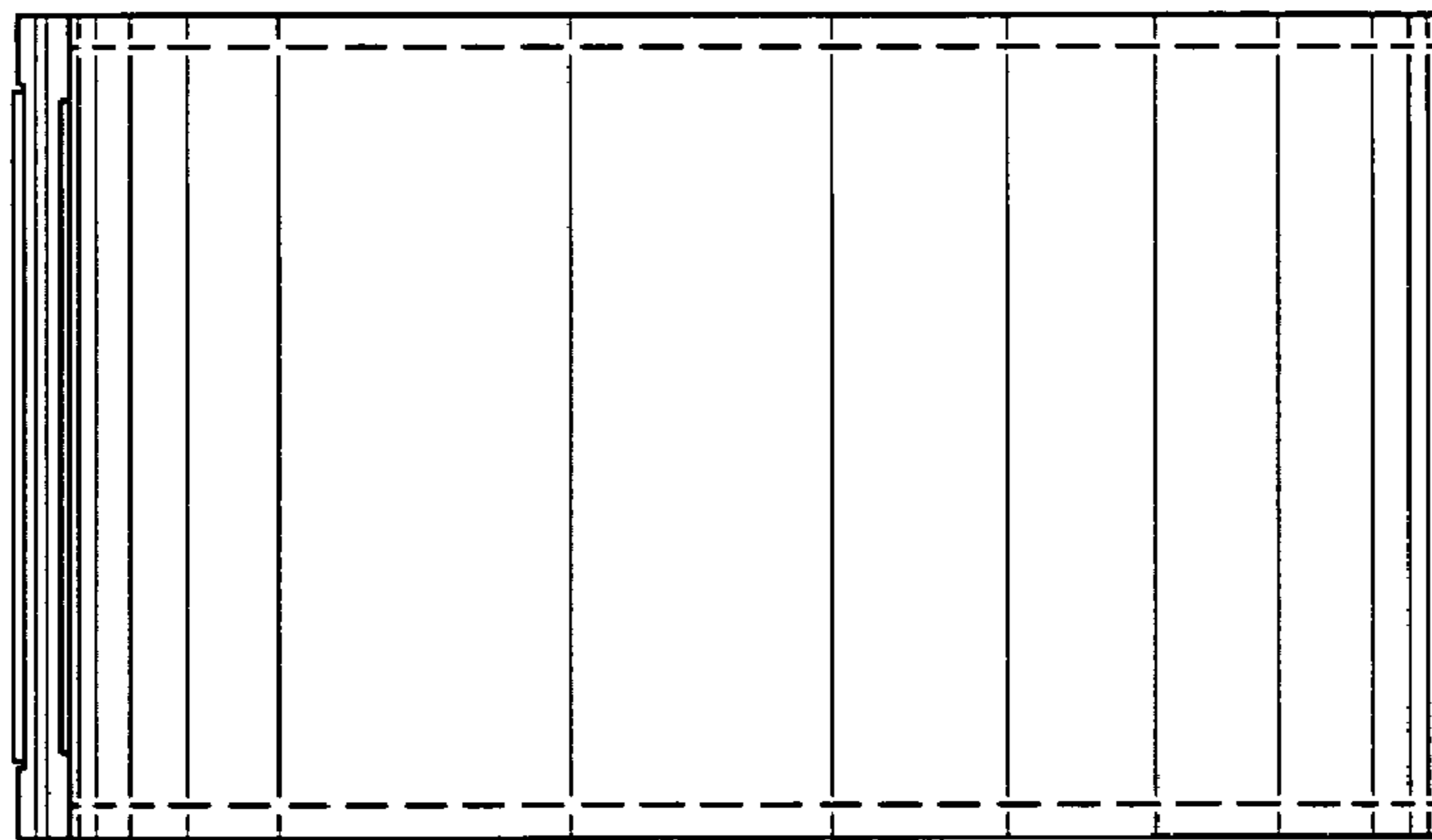


FIG. 7

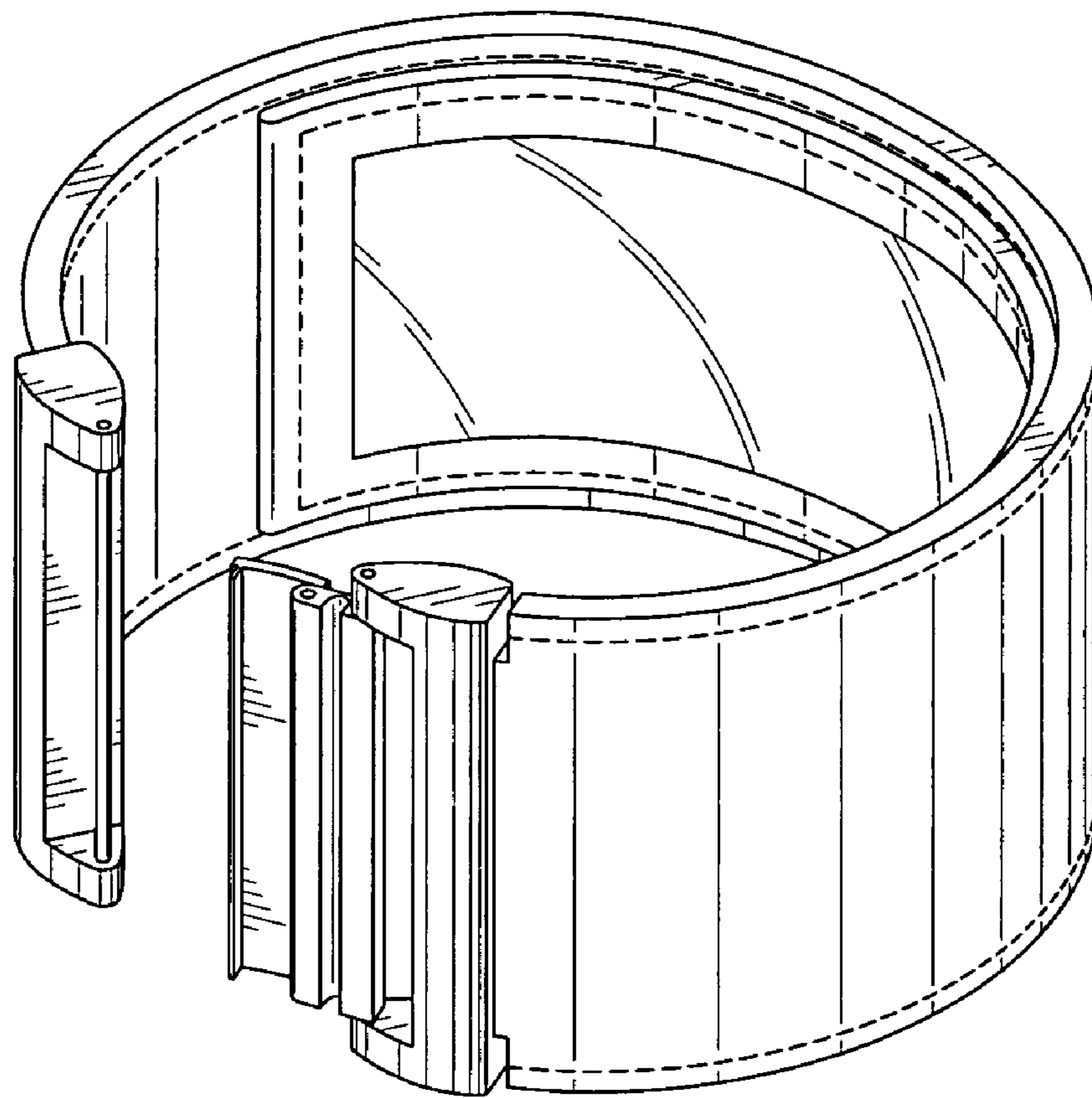


FIG. 8