



US00D606314S

(12) **United States Design Patent**  
**Neilsen**

(10) **Patent No.:** **US D606,314 S**

(45) **Date of Patent:** **\*\* Dec. 22, 2009**

(54) **OPEN TOPPED CONTAINER WITH A  
REMOVABLE PARTITION**

D517,319 S \* 3/2006 Wisnoski et al. .... D3/304  
D538,539 S \* 3/2007 Richardson et al. .... D3/314  
D545,060 S \* 6/2007 Cheng ..... D3/306

(75) Inventor: **Timothy Neilsen**, Brookfield (AU)

\* cited by examiner

(73) Assignee: **Slatbox Pty Ltd.**, Queensland (AU)

*Primary Examiner*—T. Chase Nelson

*Assistant Examiner*—Eric L Goodman

(\*\*) Term: **14 Years**

(74) *Attorney, Agent, or Firm*—Abelman, Frayne & Schwab

(21) Appl. No.: **29/258,977**

(57) **CLAIM**

(22) Filed: **Apr. 27, 2006**

The ornamental design for an open topped container with a removable partition, as shown and described.

(51) **LOC (9) Cl.** ..... **03-01**

(52) **U.S. Cl.** ..... **D3/313**

(58) **Field of Classification Search** ..... D3/304–315,  
D3/201, 203.1–203.3; D6/525; D19/75,  
D19/77, 86, 90, 92, 100; 206/203, 214, 215,  
206/822, 307.1; 229/100, 914, 913, 406  
See application file for complete search history.

**DESCRIPTION**

FIG. 1 is a top, left perspective view of my new open topped container with a removable partition design;

FIG. 2 is a left side view thereof, the right-side view being a mirror image;

FIG. 3 is a front elevational view thereof with the partition removed; and,

FIG. 4 is a top plan view thereof with the partition removed.

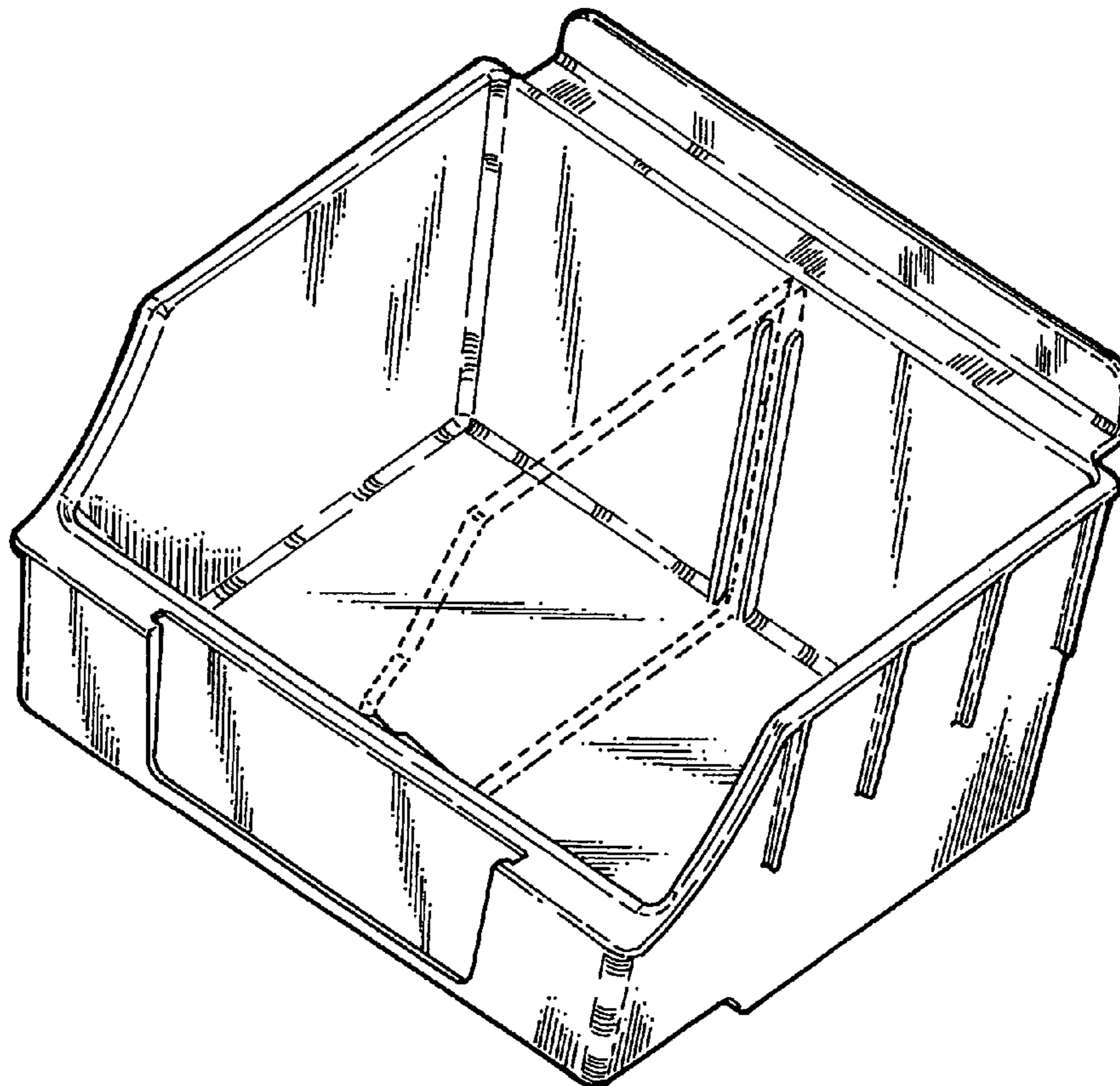
The broken line showing of the partition in FIG. 1 is included for the purpose of illustrating environmental structure and forms no part of the claimed design.

(56) **References Cited**

U.S. PATENT DOCUMENTS

D205,866 S \* 9/1966 Asenbauer ..... D3/304  
D242,659 S \* 12/1976 Clipson et al. .... D3/307  
D301,927 S \* 6/1989 Williams, Jr. .... D3/304  
D336,698 S \* 6/1993 Conaway et al. .... D3/307  
D364,524 S \* 11/1995 Bassler et al. .... D6/567  
D403,293 S \* 12/1998 Soderstrom ..... D12/410

**1 Claim, 4 Drawing Sheets**



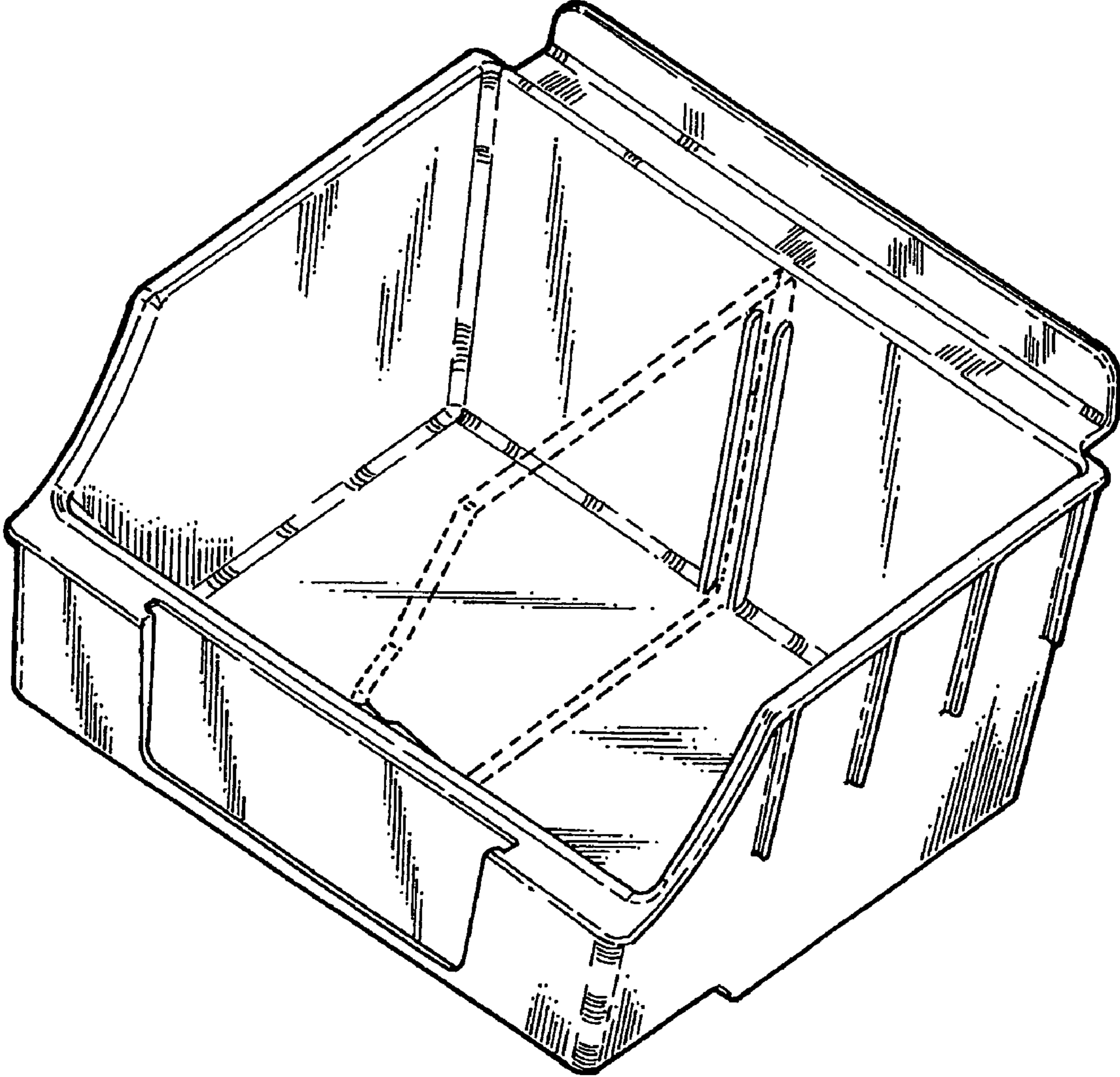


FIGURE 1

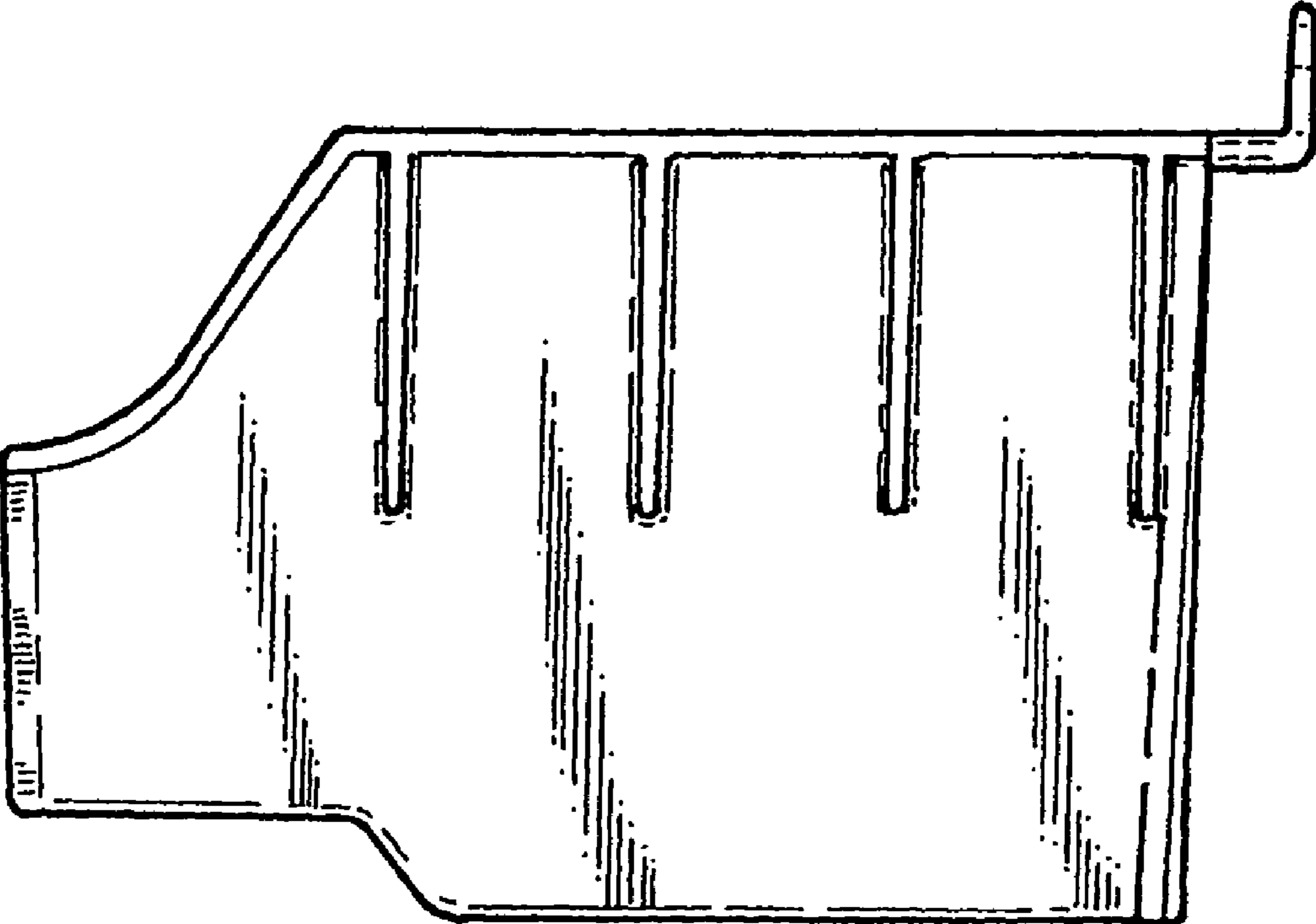


FIGURE 2

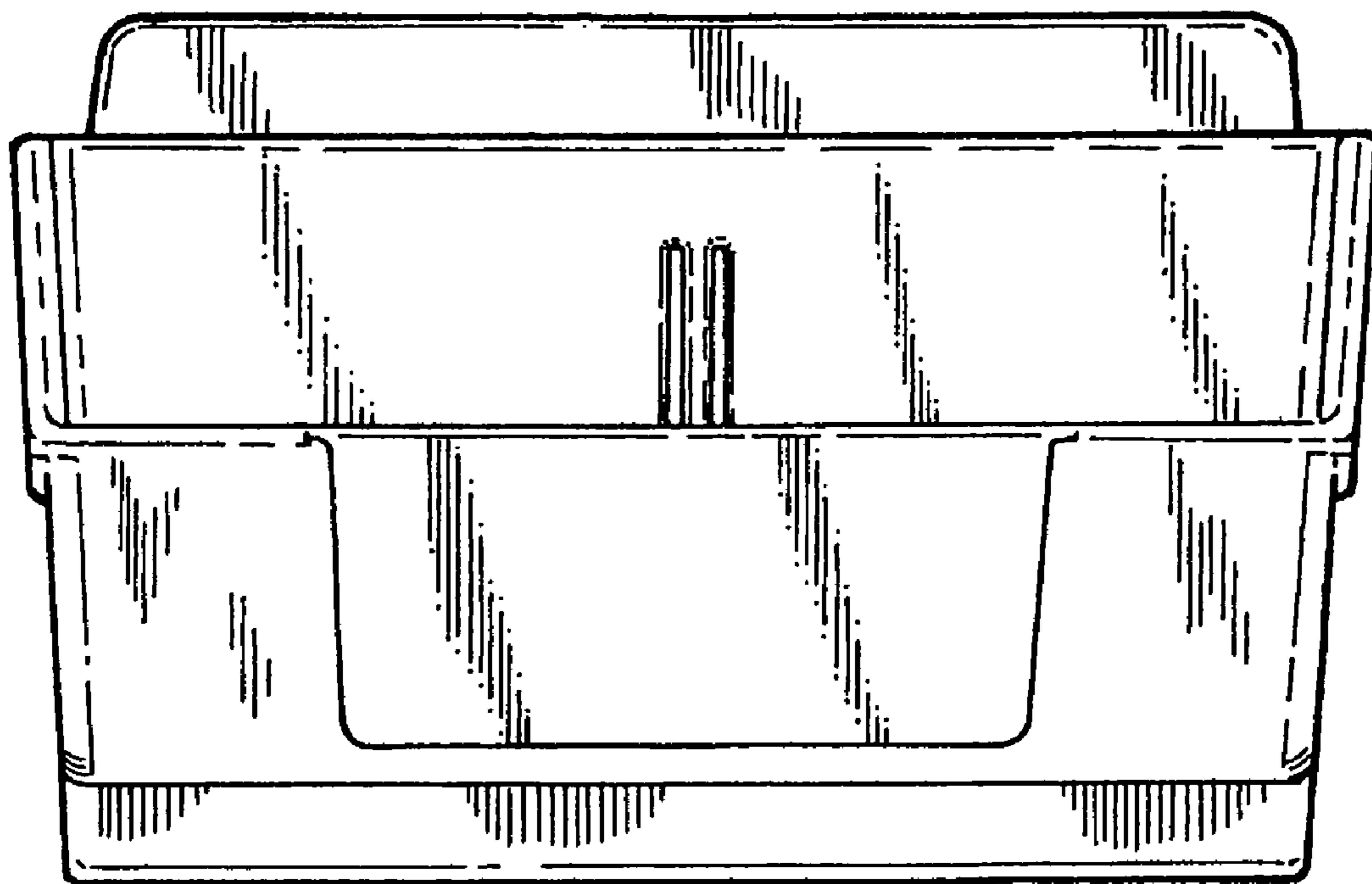


FIGURE 3

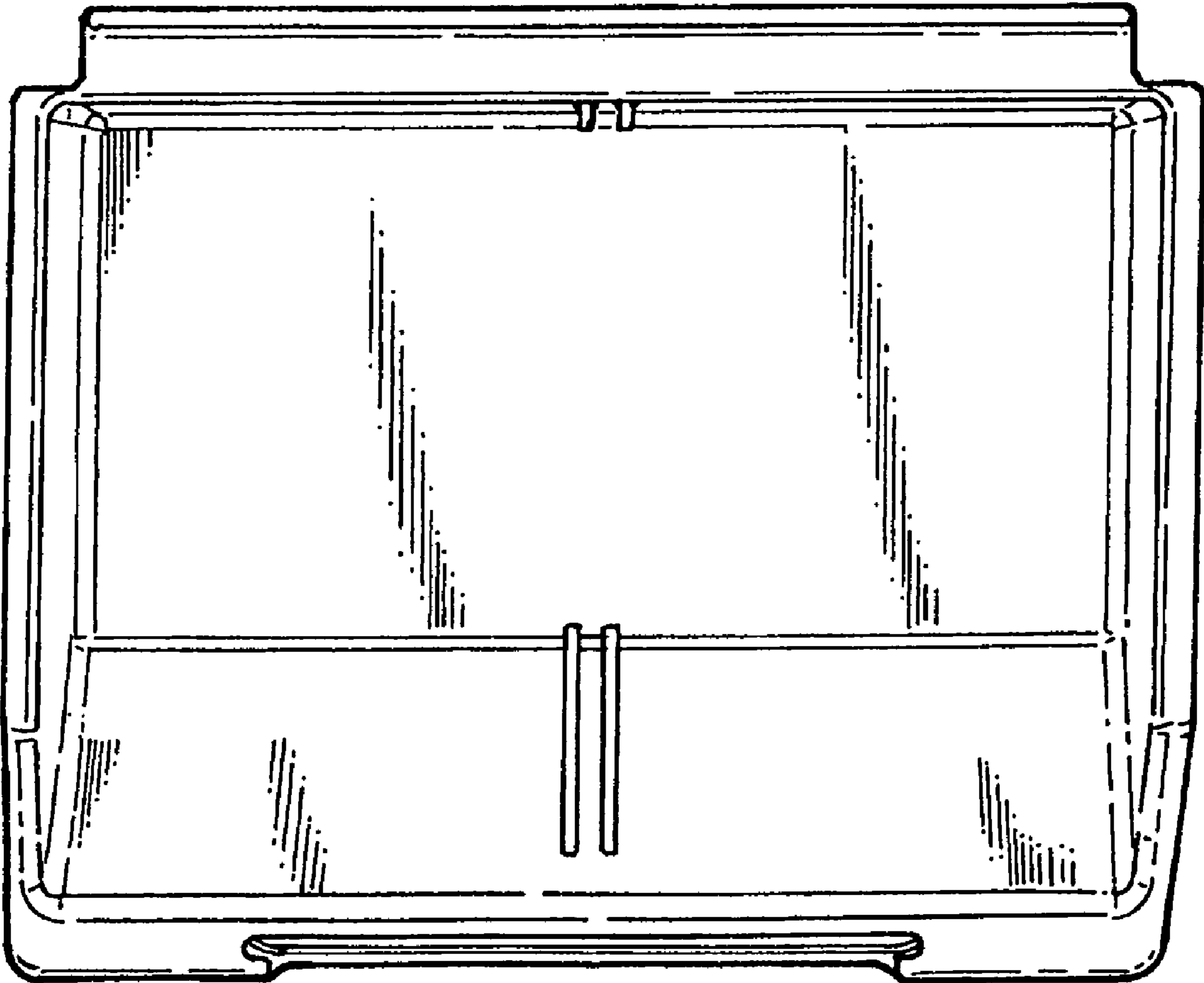


FIGURE 4