



(12) **United States Design Patent**  
**Cheng-Wei**

(10) **Patent No.:** **US D606,308 S**  
(45) **Date of Patent:** **\*\* Dec. 22, 2009**

(54) **TOOL BOX**

(76) **Inventor:** **Su Cheng-Wei**, 13F., No. 403, Taichung Rd., East District, Taichung City 40146 (TW)

(\*\*) **Term:** **14 Years**

(21) **Appl. No.:** **29/334,735**

(22) **Filed:** **Mar. 31, 2009**

(51) **LOC (9) Cl.** ..... **03-01**

(52) **U.S. Cl.** ..... **D3/294; D3/905**

(58) **Field of Classification Search** ..... D3/201, D3/203.1-203.2, 205-206, 260, 262, 273, D3/294-295, 302, 901, 903, 905; D9/424, D9/432; D12/414.1, 423; D19/81, 83; 206/1.7, 206/1.8, 214, 223, 349, 372-379, 443, 457, 206/576

See application file for complete search history.

(56) **References Cited**

**U.S. PATENT DOCUMENTS**

1,835,884	A	*	12/1931	Lindsey	.....	206/1.8
D106,124	S	*	9/1937	Pratt	.....	D3/281
2,228,493	A	*	1/1941	Will	.....	206/214
D129,525	S	*	9/1941	Guttman	.....	D9/435
2,515,703	A	*	7/1950	Dumas	.....	206/1.7
D242,657	S	*	12/1976	Kurtz	.....	D3/295
D283,561	S	*	4/1986	Geist	.....	D3/296
D335,220	S	*	5/1993	Ward et al.	.....	D3/302
D335,896	S	*	5/1993	Evenson	.....	D19/83

D340,353	S	*	10/1993	Benarrouch	.....	D3/205
D363,509	S	*	10/1995	Parekh et al.	.....	D19/75
D369,295	S	*	4/1996	Kobari et al.	.....	D9/423
D389,639	S	*	1/1998	Priebe	.....	D3/203.8
D401,405	S	*	11/1998	Kim et al.	.....	D3/205
D437,685	S	*	2/2001	Liu	.....	D3/294
D450,921	S	*	11/2001	Kirkland	.....	D3/206
D452,148	S	*	12/2001	Friedberg	.....	D9/423
D477,143	S	*	7/2003	Nagata et al.	.....	D3/294

\* cited by examiner

*Primary Examiner*—Philip S Hyder

*Assistant Examiner*—Roselynn Cody

(74) *Attorney, Agent, or Firm*—Banger Shia

(57) **CLAIM**

The ornamental design for a tool box, as shown and described.

**DESCRIPTION**

FIG. 1 is a perspective view of a tool box showing my new design;

FIG. 2 is a front elevational view thereof;

FIG. 3 is a rear elevational view thereof;

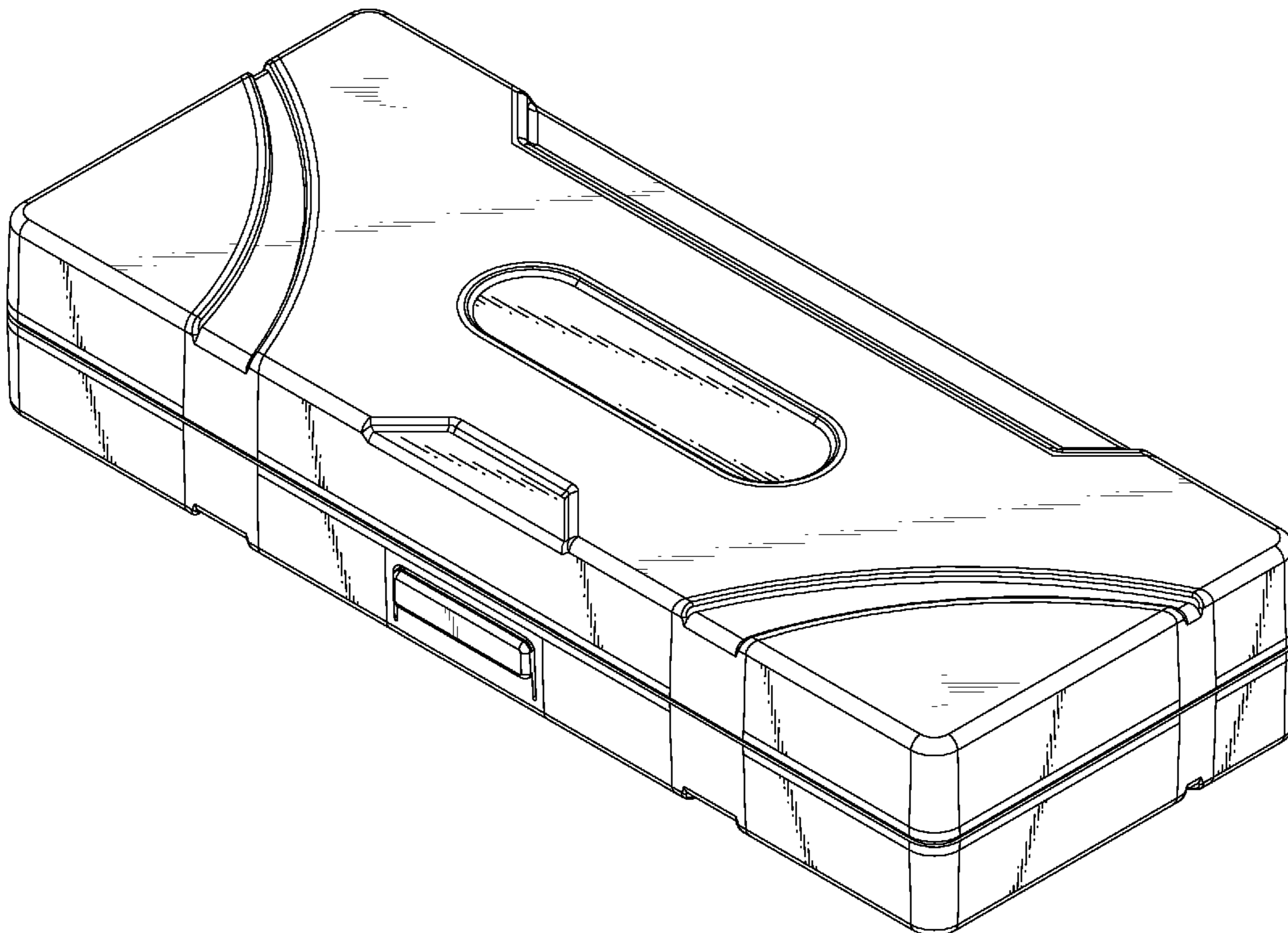
FIG. 4 is a left side elevational view thereof;

FIG. 5 is a right side elevational view thereof;

FIG. 6 is a top plan view thereof; and,

FIG. 7 is a bottom plan view thereof.

**1 Claim, 5 Drawing Sheets**



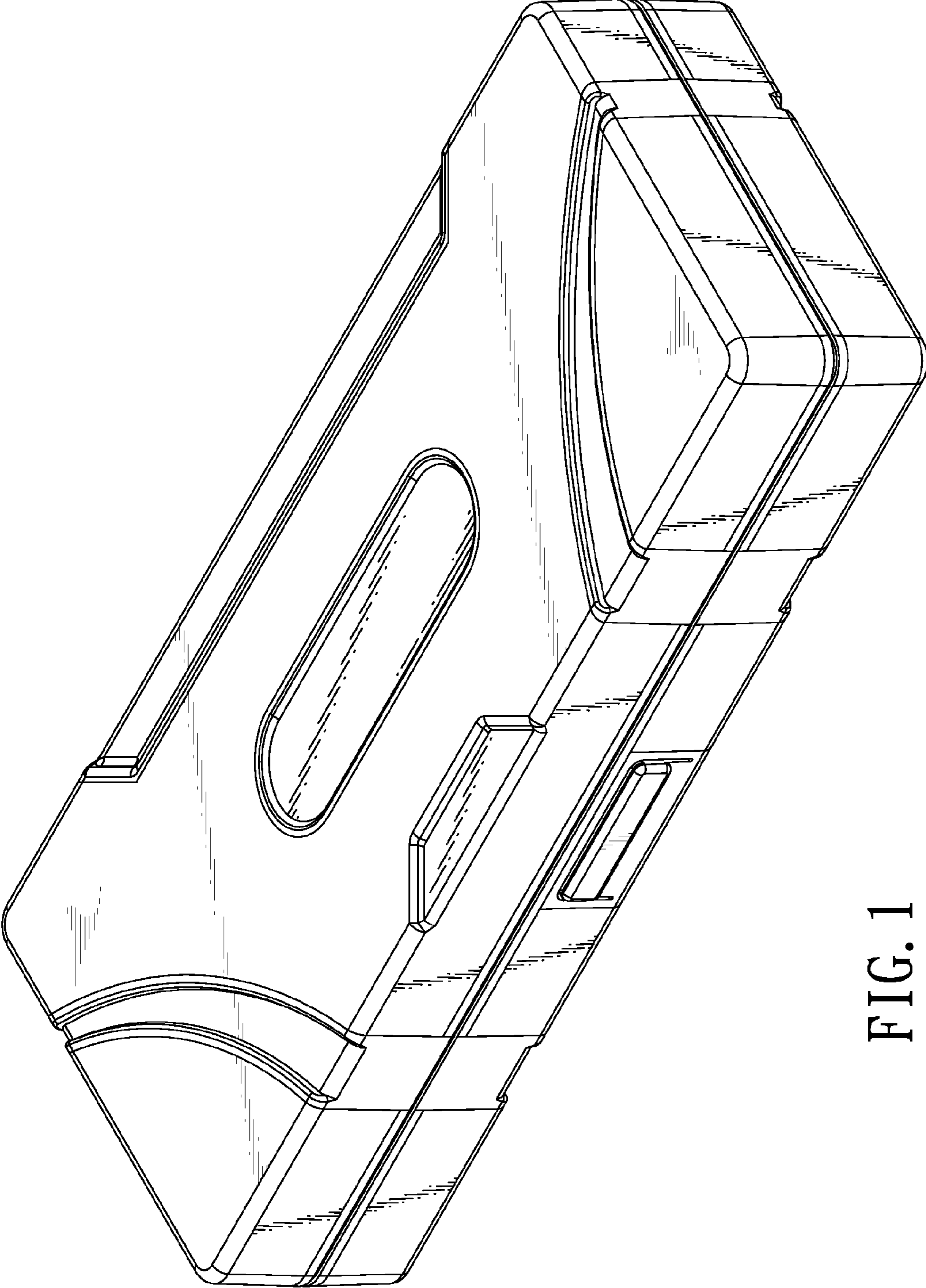


FIG. 1

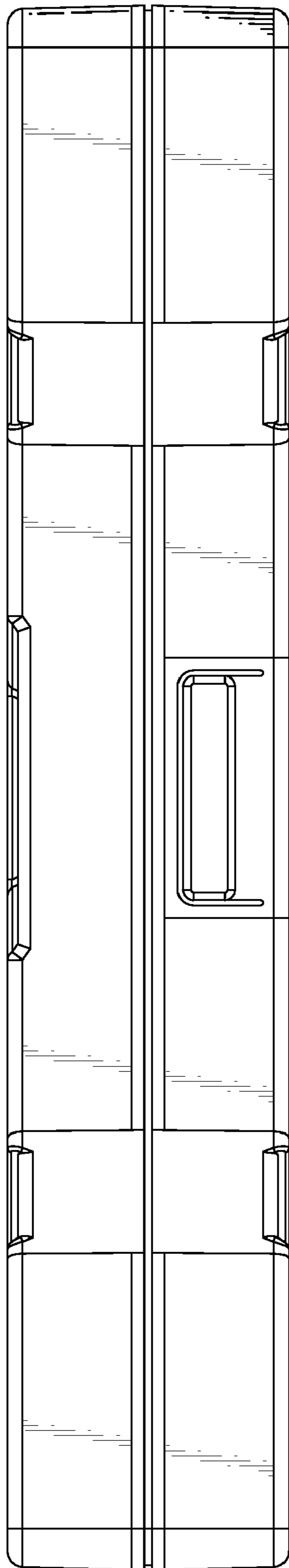


FIG. 2

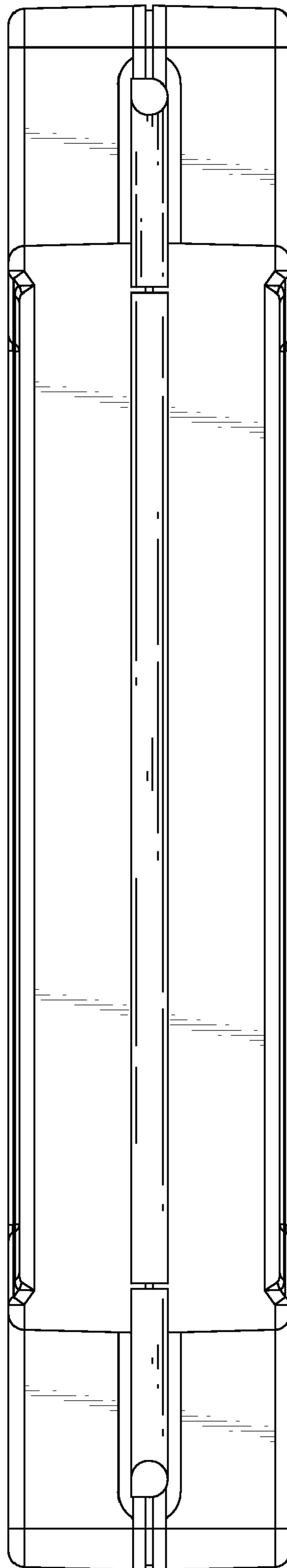


FIG. 3

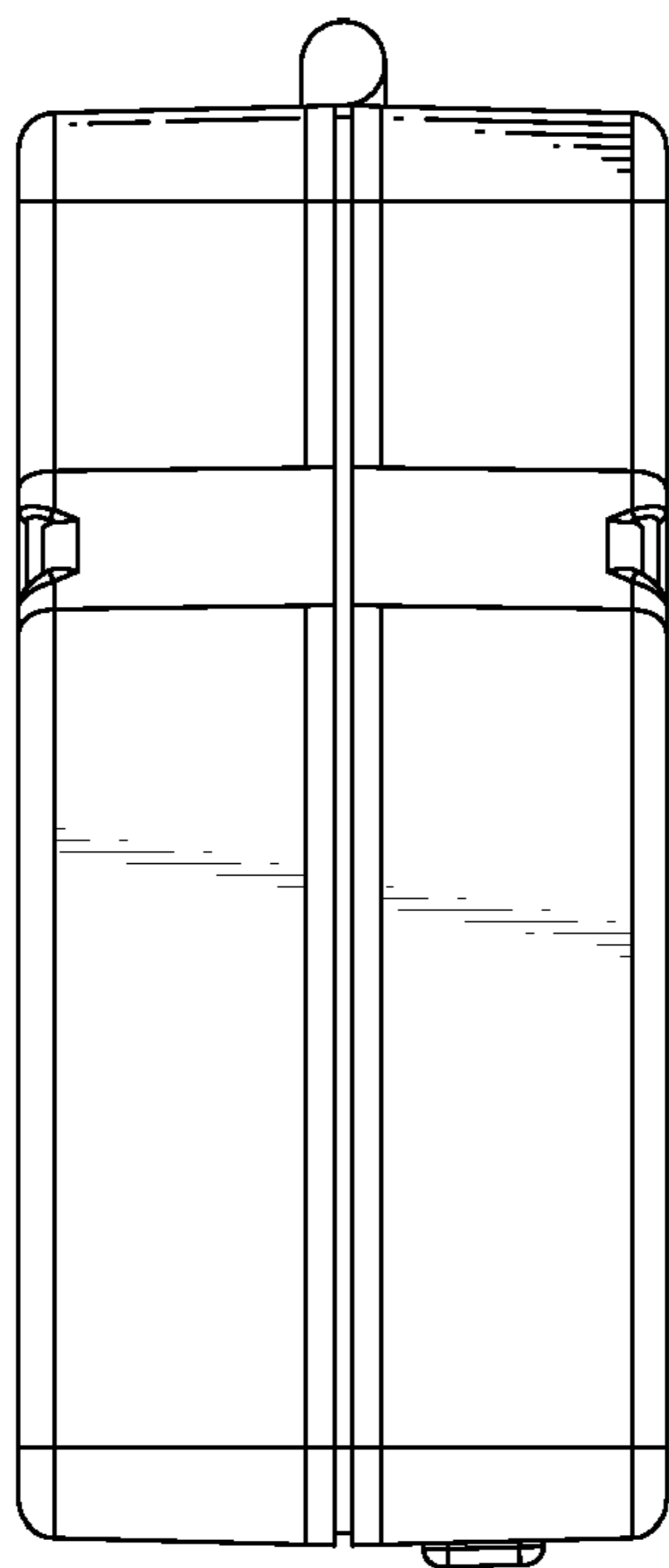


FIG. 5

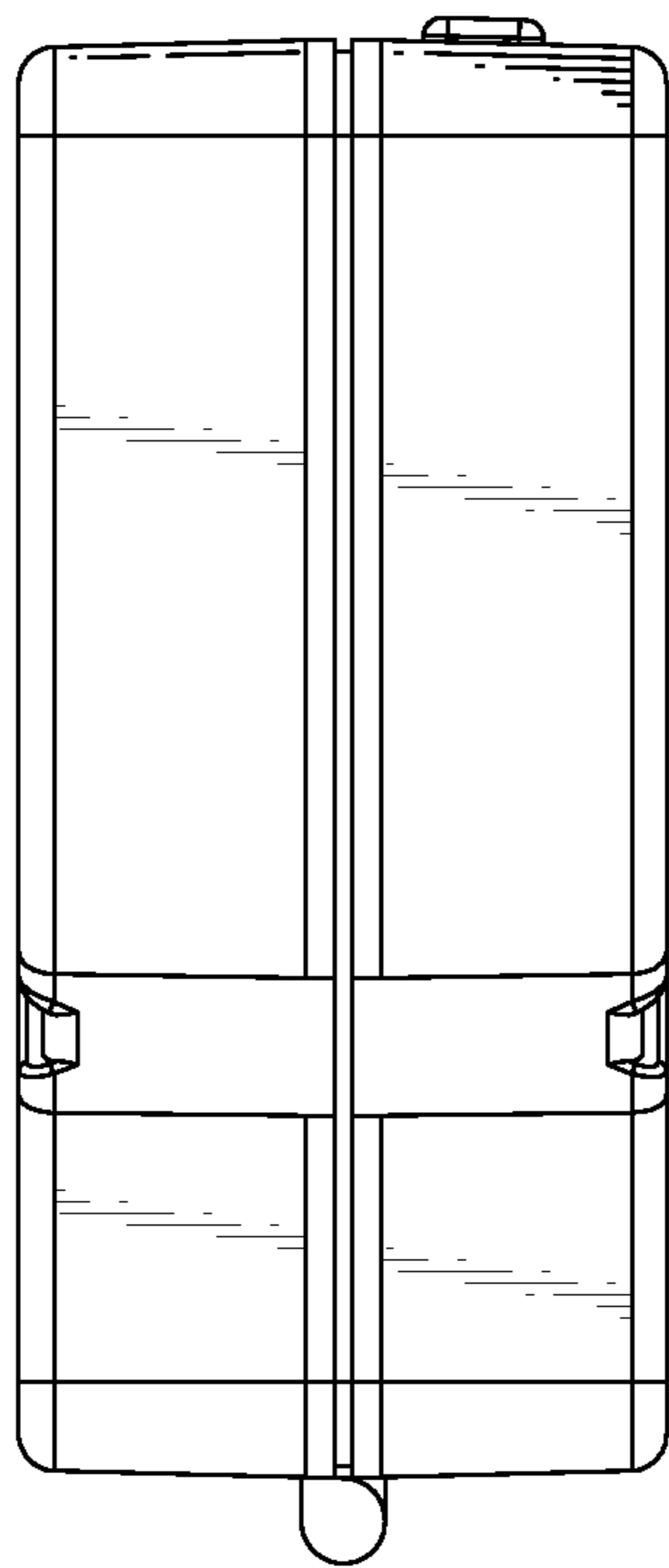


FIG. 4

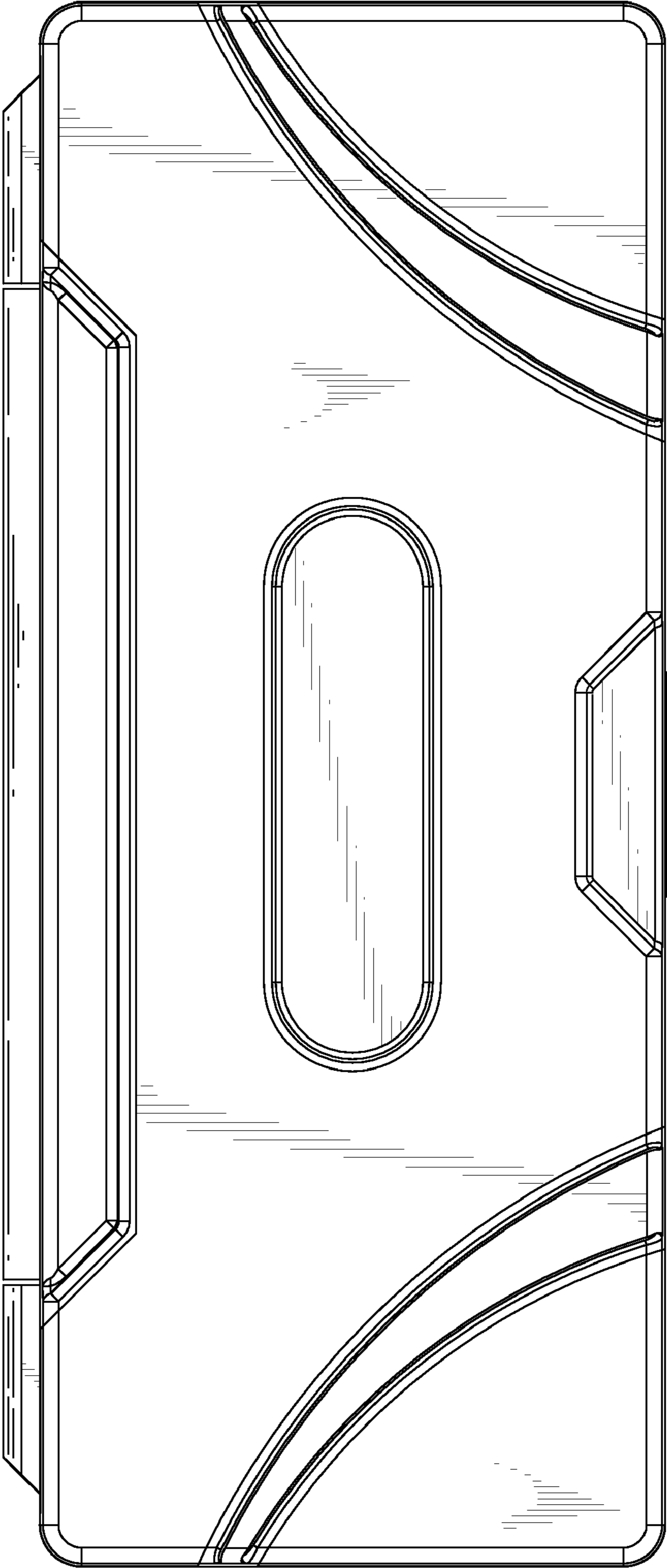


FIG. 6

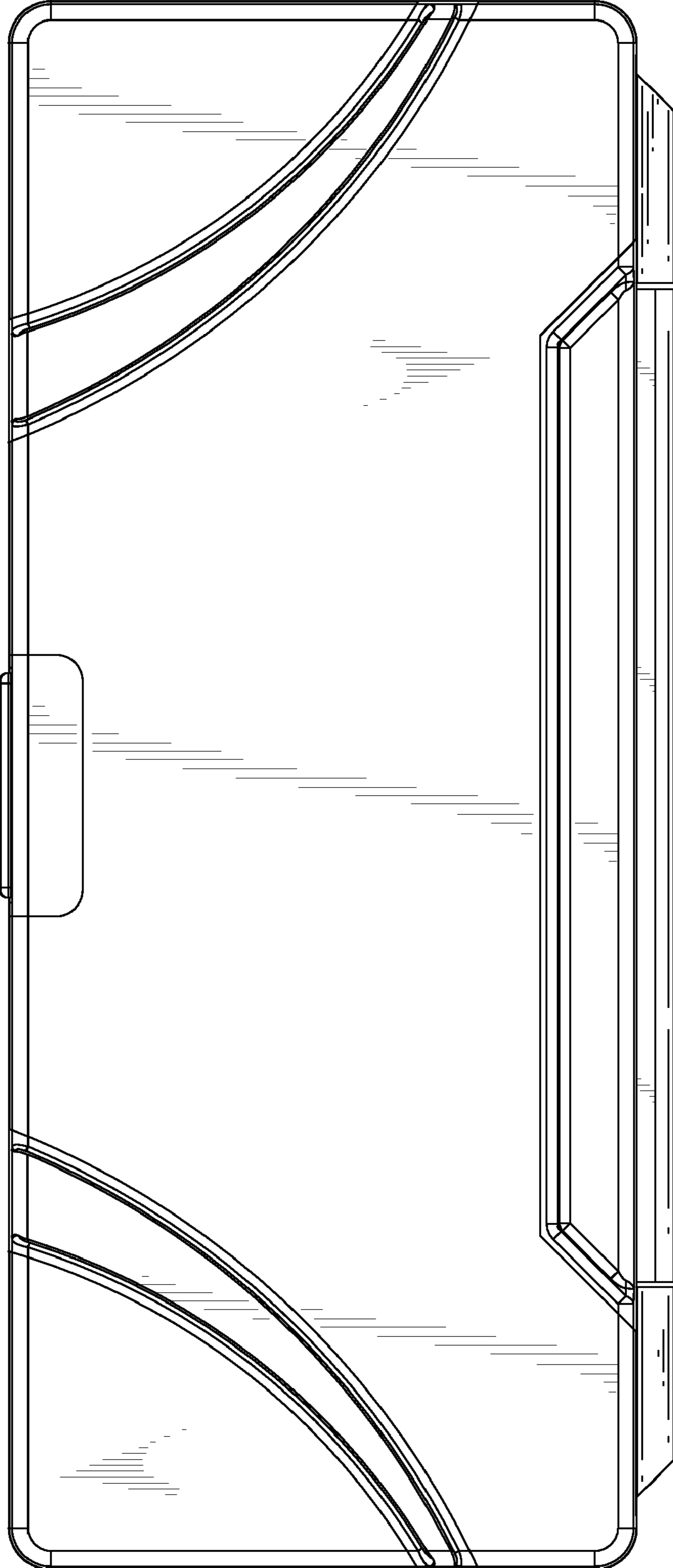


FIG. 7