

US00D606307S

(12) **United States Design Patent**  
**Gauss**

(10) **Patent No.:** **US D606,307 S**

(45) **Date of Patent:** **\*\* Dec. 22, 2009**

(54) **WATERTIGHT CONTAINER**

(75) Inventor: **Kurt Frederick Gauss**, Spokane, WA  
(US)

(73) Assignee: **GSI Outdoors, Inc.**, Spokane Valley,  
WA (US)

(\*\*) Term: **14 Years**

(21) Appl. No.: **29/294,639**

(22) Filed: **Jan. 22, 2008**

(51) **LOC (9) Cl.** ..... **03-01**

(52) **U.S. Cl.** ..... **D3/294; D3/215**

(58) **Field of Classification Search** ..... D3/201,  
D3/203.1–203.2, 203.5, 215, 218–219, 221,  
D3/225–226, 230, 273, 294–295, 302; D9/420;  
D27/144, 173, 189, 191; 206/6, 37–38, 268–269,  
206/811

See application file for complete search history.

(56) **References Cited**

**U.S. PATENT DOCUMENTS**

2,081,930	A *	6/1937	Hoffman	.....	220/797
D148,402	S *	1/1948	Abbatiello	.....	D27/189
D207,373	S *	4/1967	Rudnikoff et al.	.....	D27/189
D245,818	S *	9/1977	Persson	.....	D3/230
D347,732	S *	6/1994	Wentz	.....	D3/294
5,423,419	A *	6/1995	Wentz et al.	.....	206/6
D366,344	S *	1/1996	Mak	.....	D27/191
D371,674	S *	7/1996	Williams	.....	D3/215
D386,611	S *	11/1997	Sheu	.....	D3/215
D402,105	S *	12/1998	Erickson	.....	D3/215
D422,785	S *	4/2000	Cavell	.....	D3/201
D426,950	S *	6/2000	Conway	.....	D3/203.5
D427,424	S *	7/2000	Conway	.....	D3/203.5

D427,429	S *	7/2000	Rains	.....	D3/215
D433,798	S *	11/2000	Weinstock	.....	D3/215
D437,112	S *	2/2001	Toffoli	.....	D3/219
D438,003	S *	2/2001	Minagawa et al.	.....	D3/273
D441,494	S *	5/2001	Chen	.....	D27/144
D443,133	S *	6/2001	Richardson et al.	.....	D3/215
D447,622	S *	9/2001	Weinstock	.....	D3/215
D466,012	S *	11/2002	Baker	.....	D9/420
D470,765	S *	2/2003	Baker	.....	D9/420
D503,037	S *	3/2005	Terronez et al.	.....	D3/215
D516,554	S *	3/2006	Richardson et al.	.....	D14/341
D550,959	S *	9/2007	Miller et al.	.....	D3/294
2005/0116003	A1 *	6/2005	Butler et al.	.....	224/604

\* cited by examiner

*Primary Examiner*—Philip S Hyder

*Assistant Examiner*—Roselynn Cody

(74) *Attorney, Agent, or Firm*—Bergman & Jeckle, PLLC

(57) **CLAIM**

I claim the ornamental design for a watertight container, as shown and described.

**DESCRIPTION**

FIG. 1 is an isometric front and right side view of the watertight container with its pivoting top portion open showing my design.

FIG. 2 is an isometric front and right side view of the watertight container with its pivoting top portion closed showing my design.

FIG. 3 is a front view thereof.

FIG. 4 is a back view thereof.

FIG. 5 is a right side view thereof; and,

FIG. 6 is a left side view thereof.

**1 Claim, 5 Drawing Sheets**

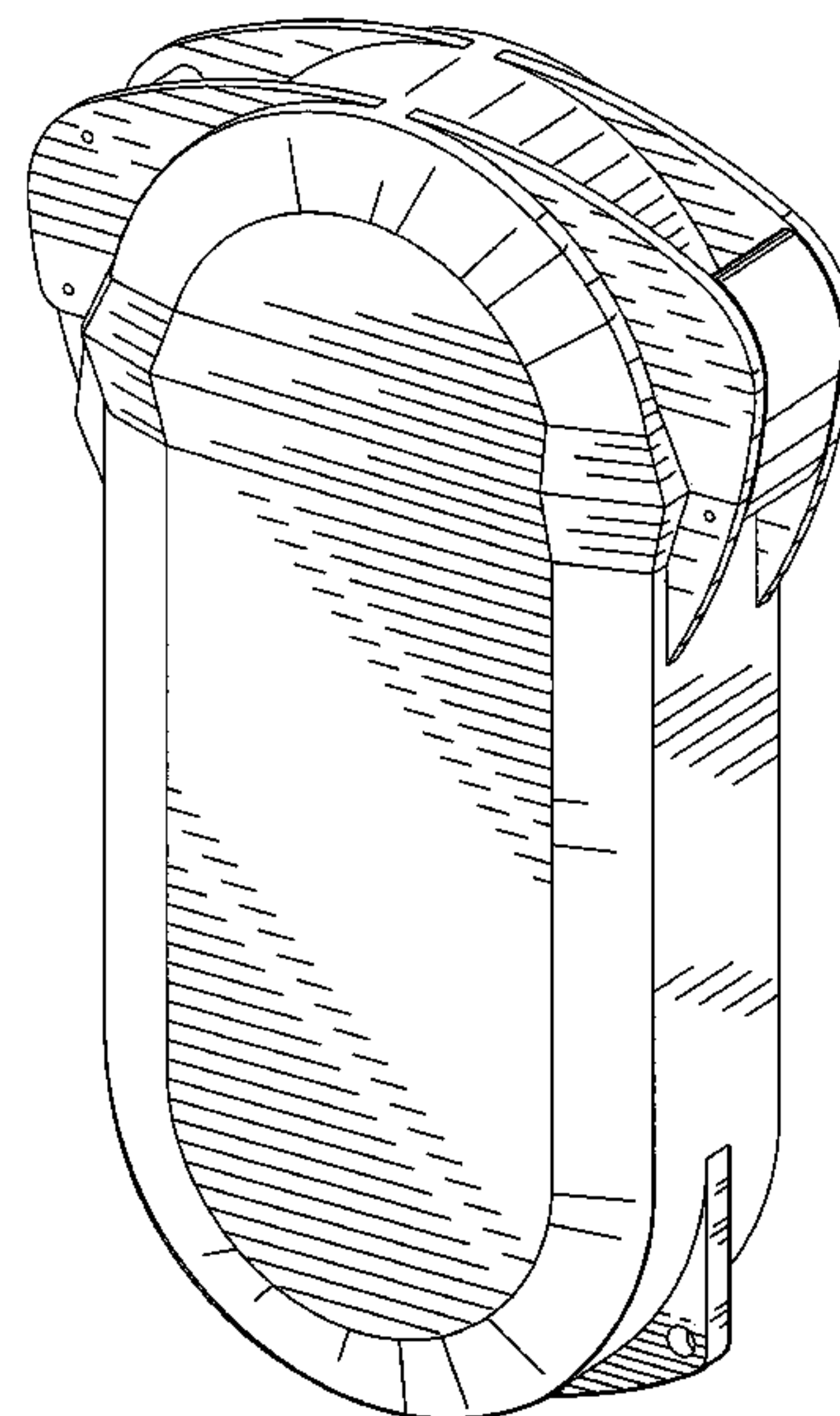
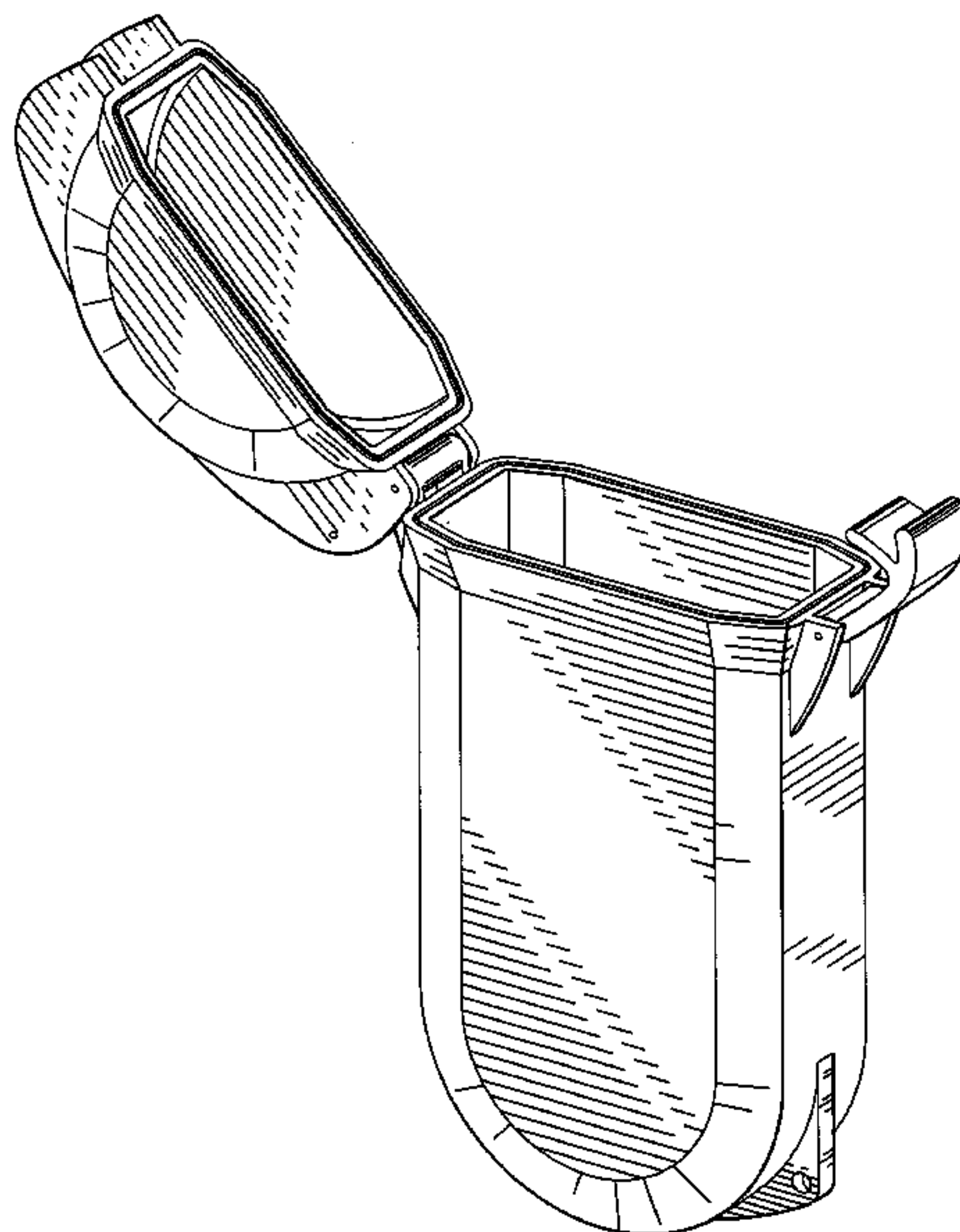


FIG. 1

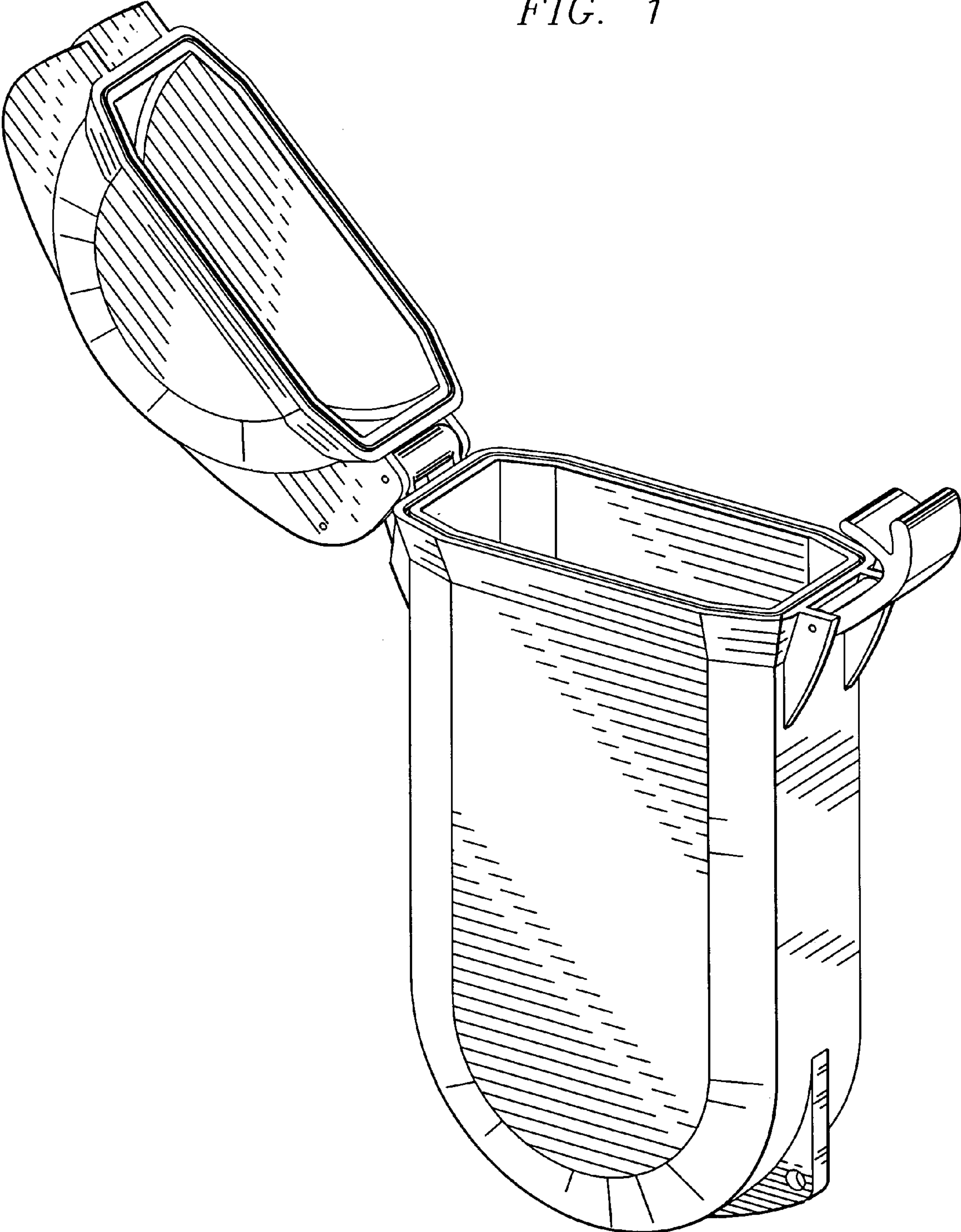




FIG. 2

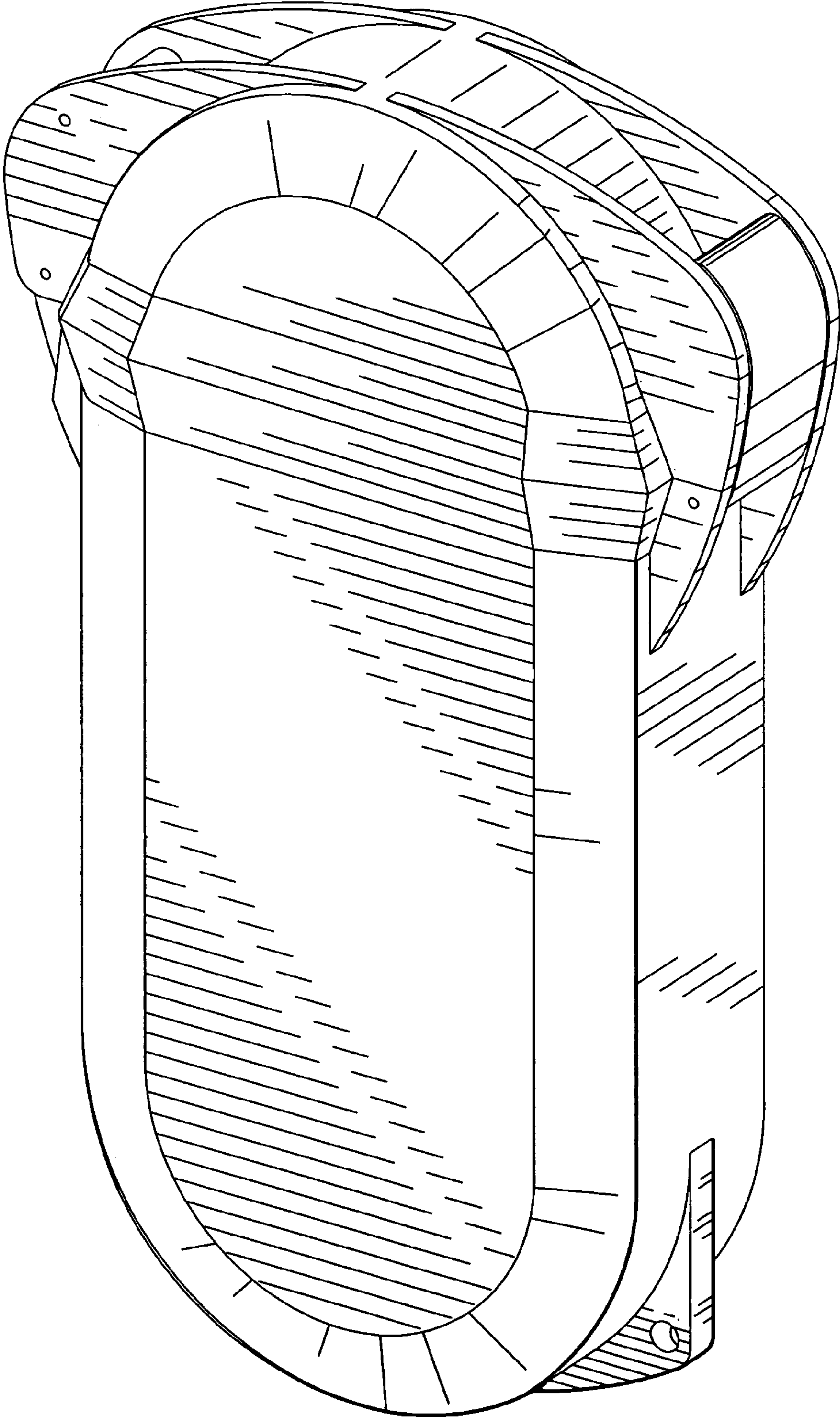


FIG. 3

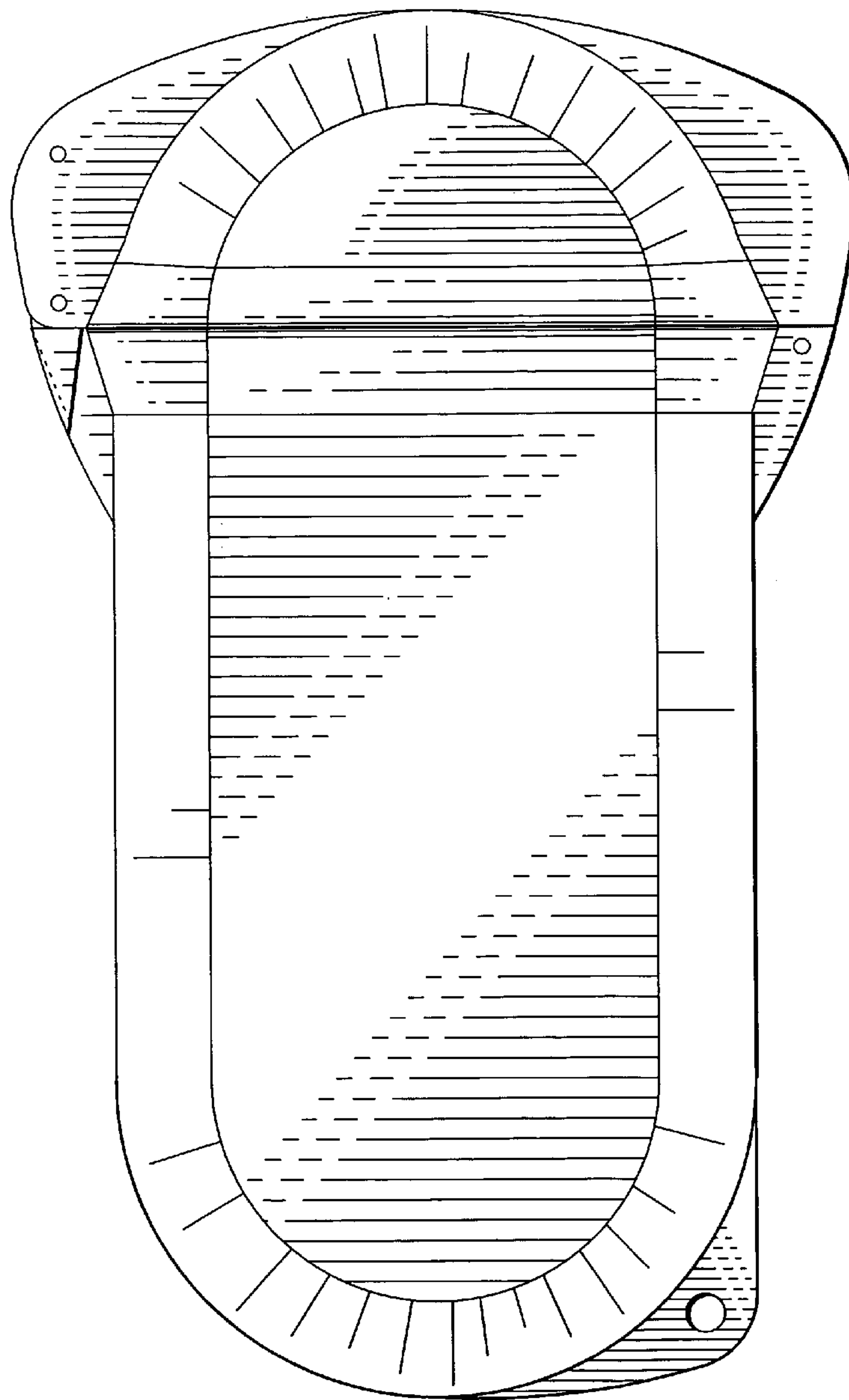


FIG. 4

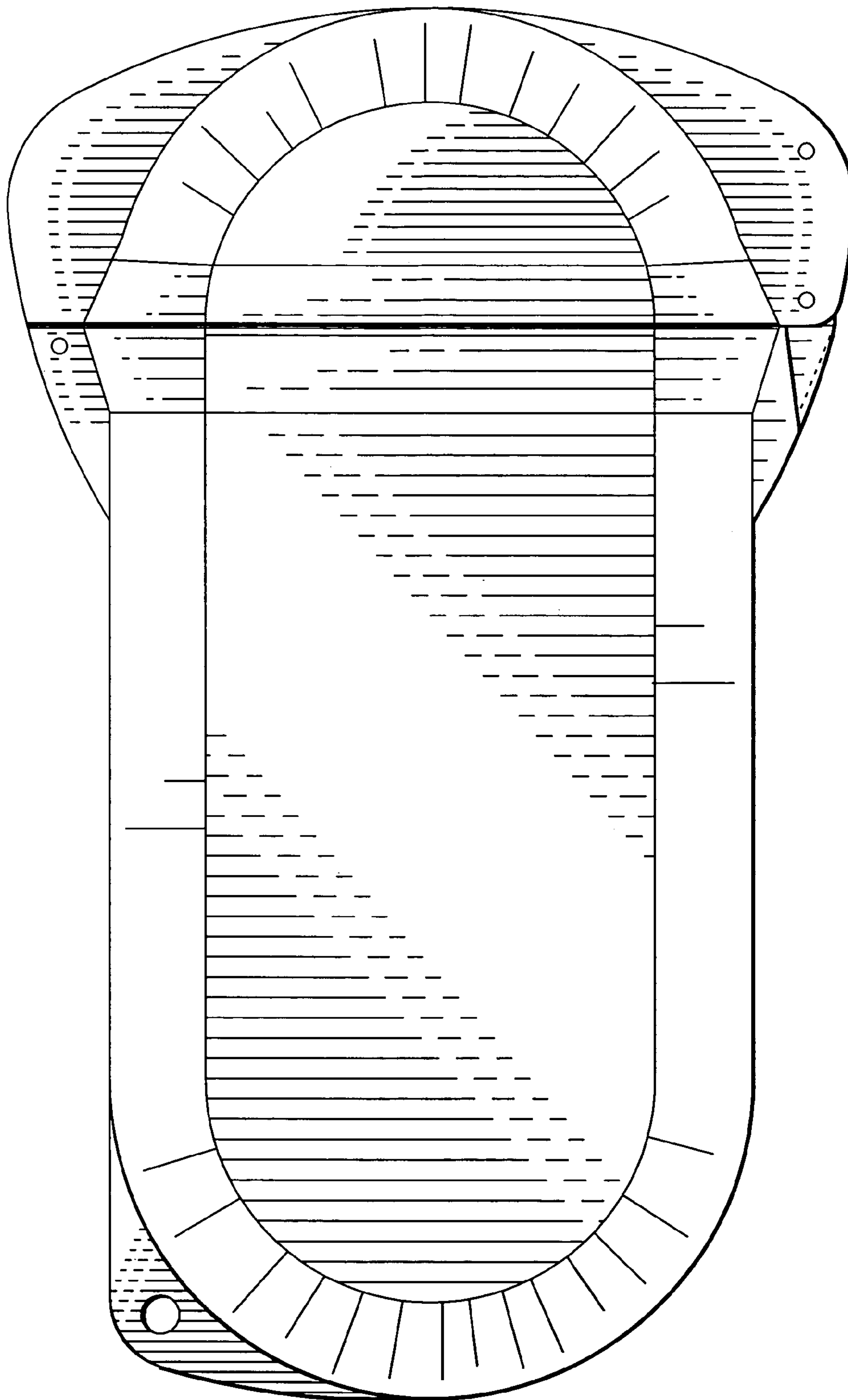


FIG. 5

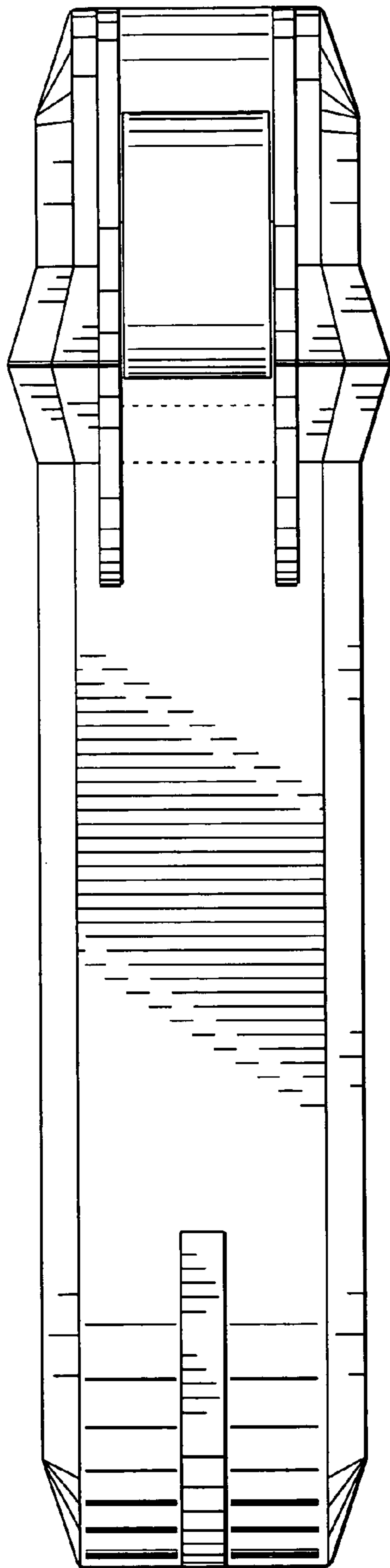


FIG. 6

