

US00D606303S

(12) **United States Design Patent**
Fahrendorff et al.

(10) **Patent No.:** **US D606,303 S**

(45) **Date of Patent:** **** Dec. 22, 2009**

(54) **HAND-HELD ELECTRONIC DEVICE CASE**

D561,463 S * 2/2008 Malhotra D3/218
D565,836 S * 4/2008 Wang D3/201

(75) Inventors: **Anders Fahrendorff**, Ottawa (CA);
Seyed-Payam Shalchian, Ottawa (CA);
Gabriel Deen Khan, Waterloo (CA)

* cited by examiner

Primary Examiner—Catherine R Oliver

(73) Assignee: **Research In Motion Limited**, Waterloo (CA)

(57) **CLAIM**

(**) Term: **14 Years**

We claim the ornamental design for a handheld electronic device case, as shown and described.

(21) Appl. No.: **29/338,802**

DESCRIPTION

(22) Filed: **Jun. 18, 2009**

FIG. 1 is a front perspective view of a handheld electronic device case;

(51) **LOC (9) Cl.** **03-01**

(52) **U.S. Cl.** **D3/218**

(58) **Field of Classification Search** D3/218,
D3/215, 219, 224, 226, 201, 205, 269; 224/240–241,
224/901, 904, 676–681, 674, 578; 206/305,
206/320; 455/42, 90, 92; 379/455; D14/138,
D14/250–251

FIG. 2 is a rear perspective view of the handheld electronic device case;

FIG. 3 is a rear plan view thereof;

FIG. 4 is a front plan view thereof;

FIG. 5 is a left elevational view thereof;

FIG. 6 is a right elevational view thereof;

FIG. 7 is a top plan view thereof; and,

FIG. 8 is a bottom plan view thereof.

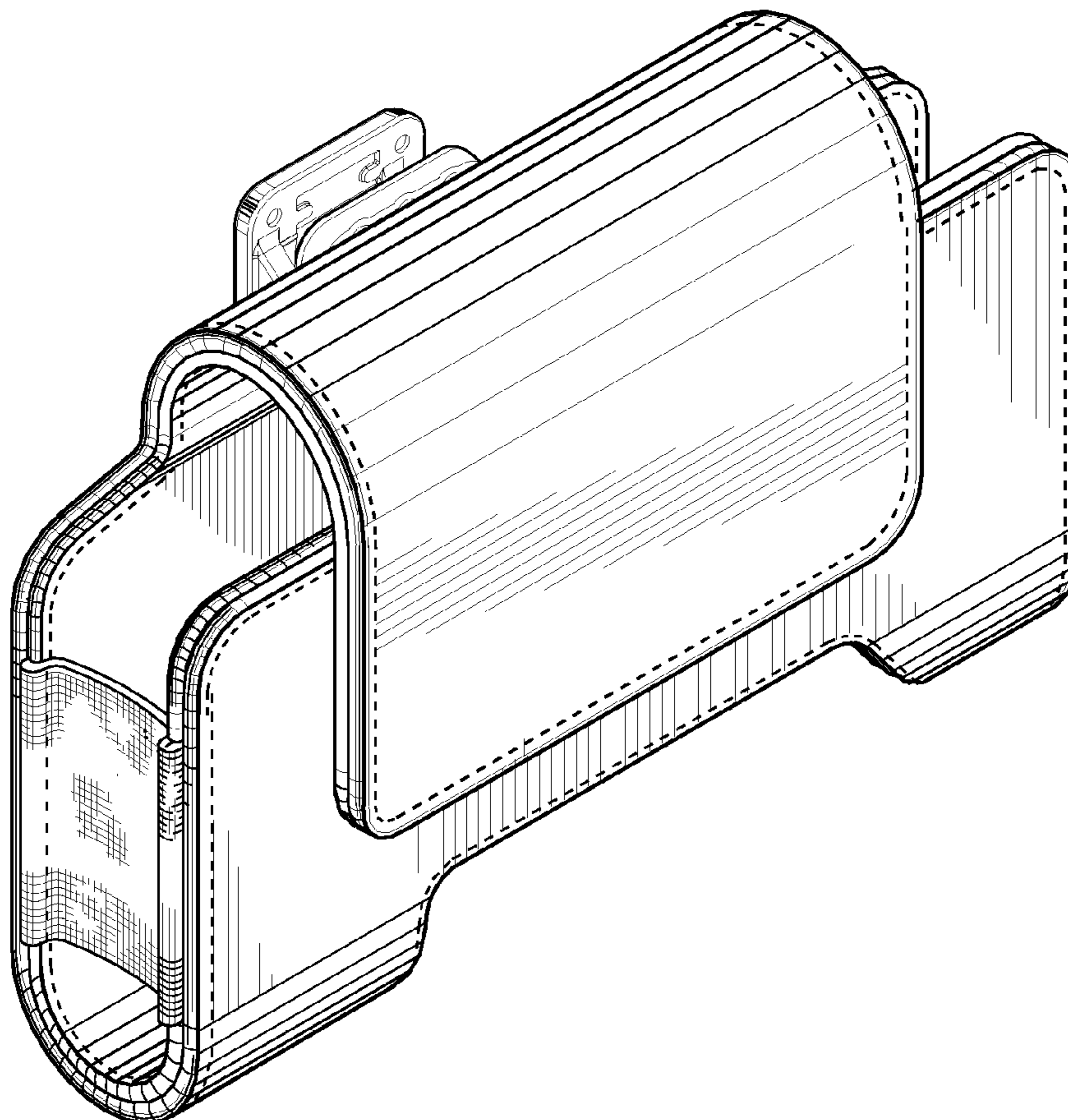
See application file for complete search history.

(56) **References Cited**

U.S. PATENT DOCUMENTS

D515,807 S * 2/2006 Faillace D3/218

1 Claim, 5 Drawing Sheets



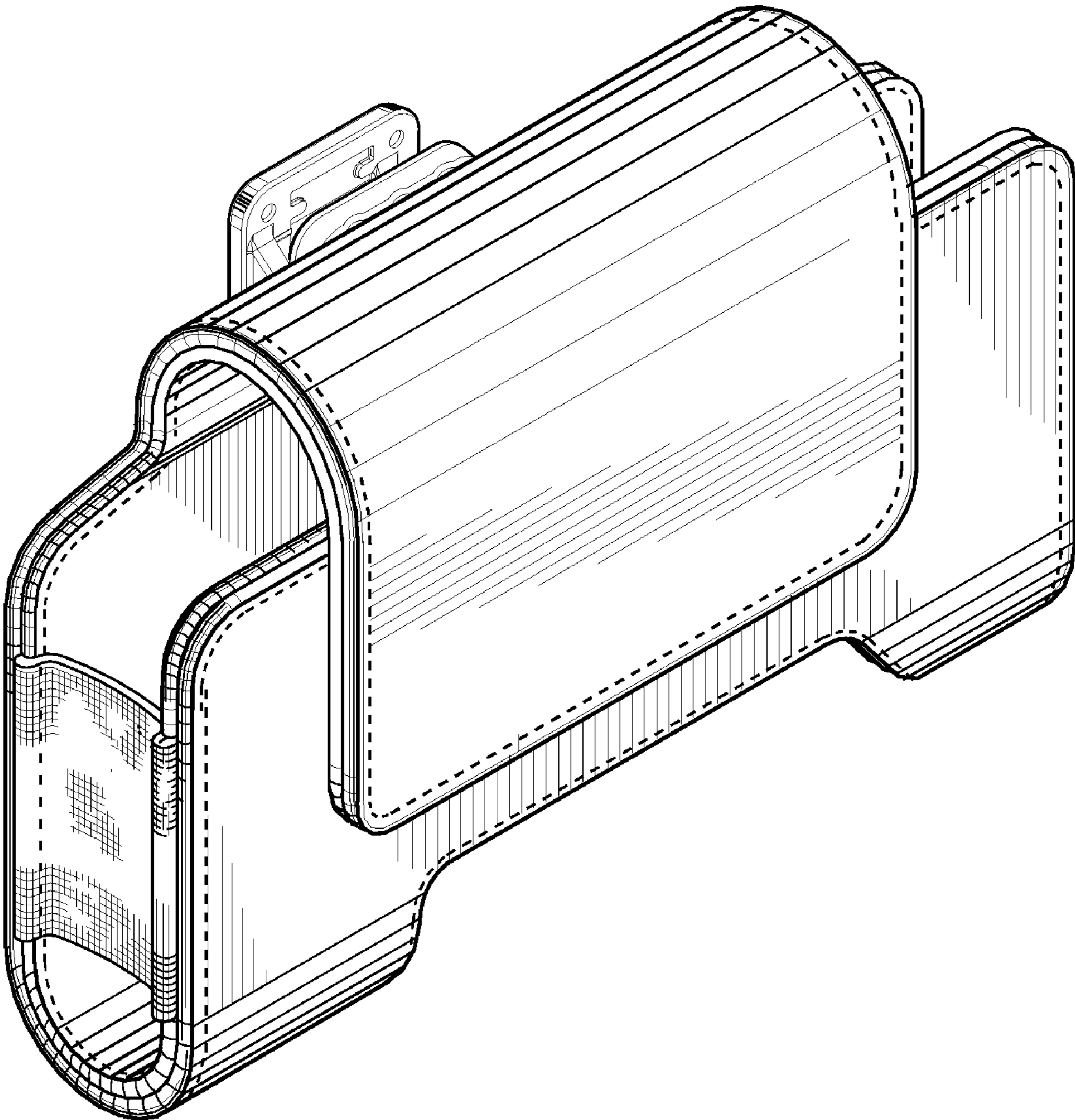


FIG. 1

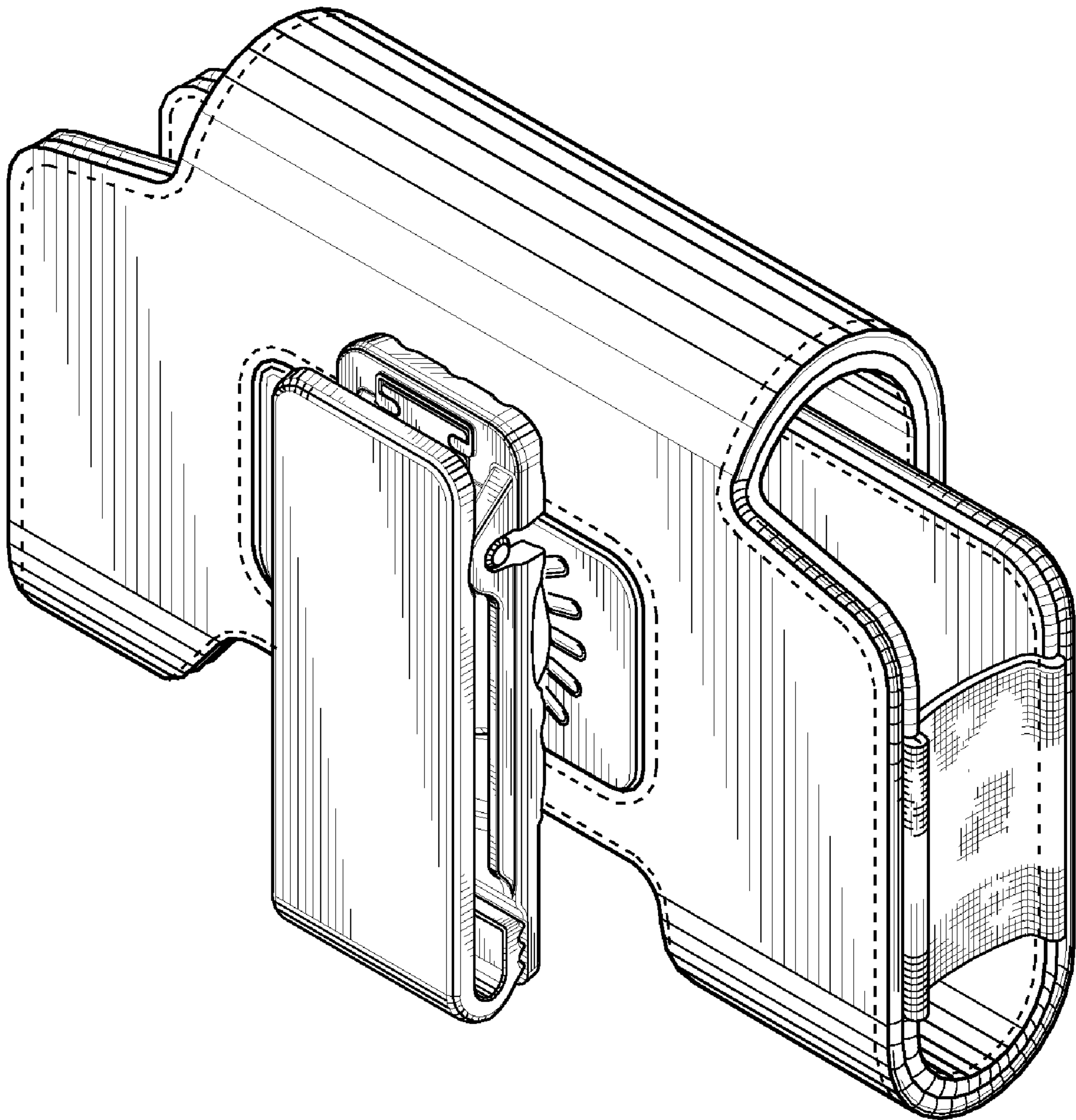


FIG.2

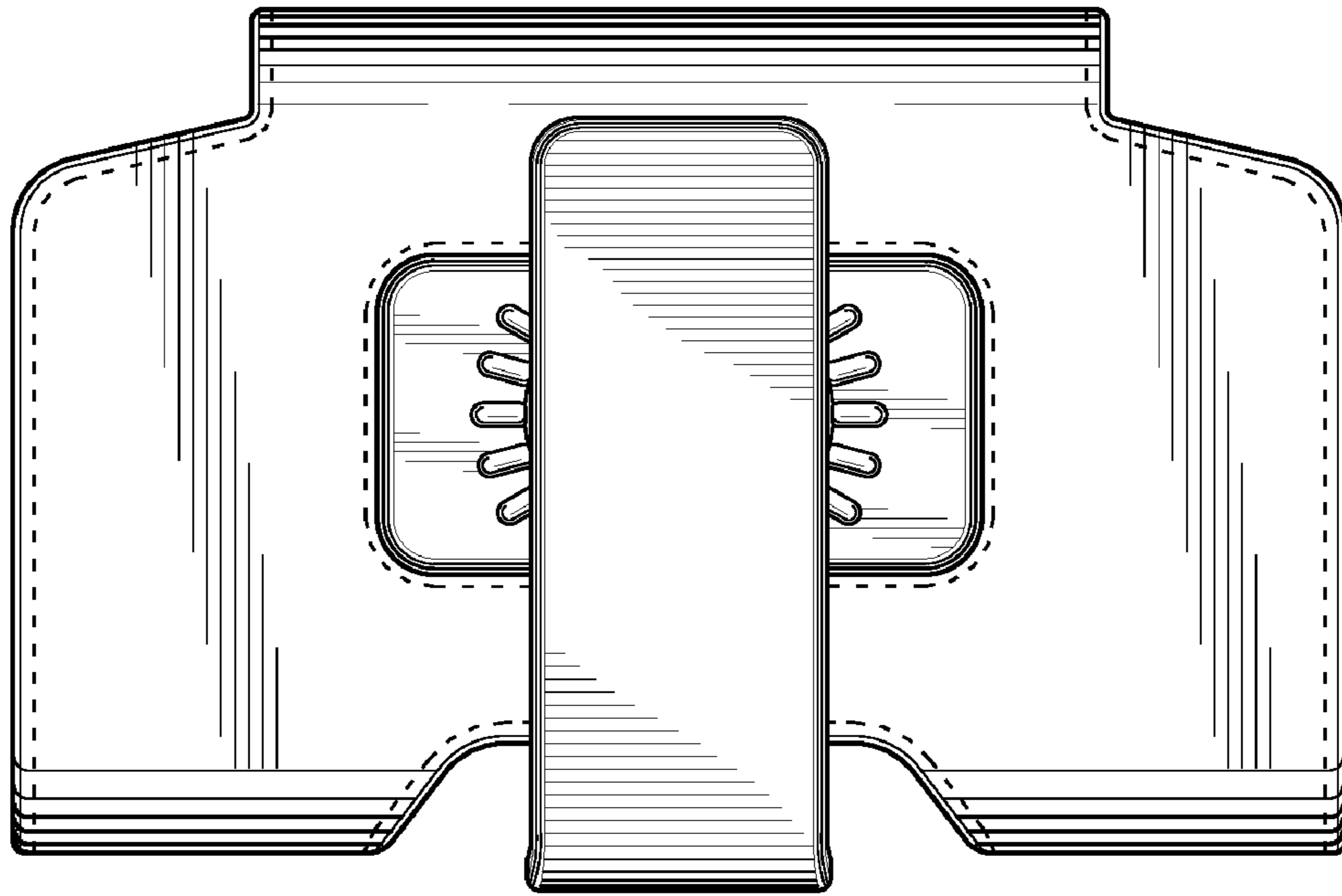


FIG. 3

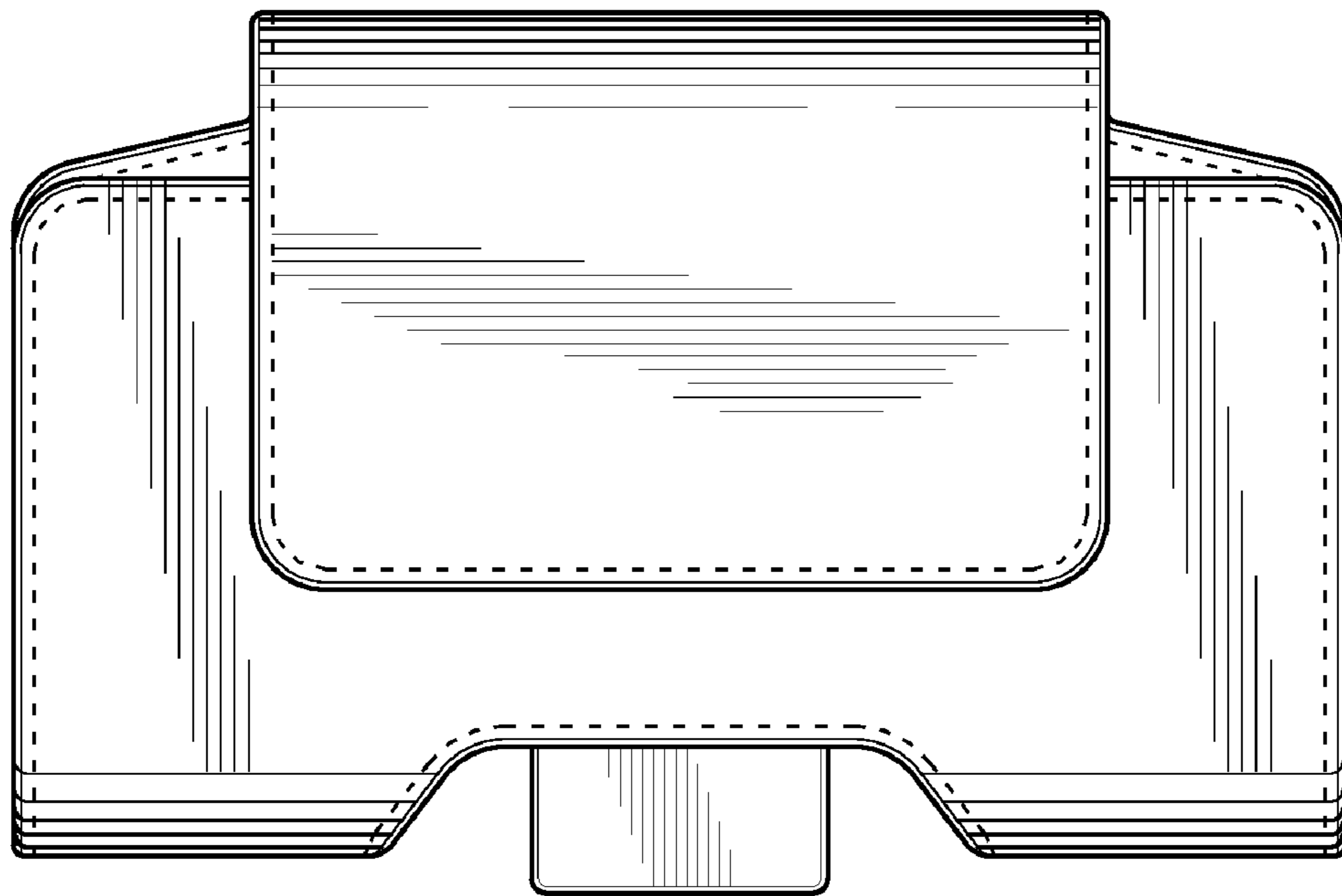


FIG. 4

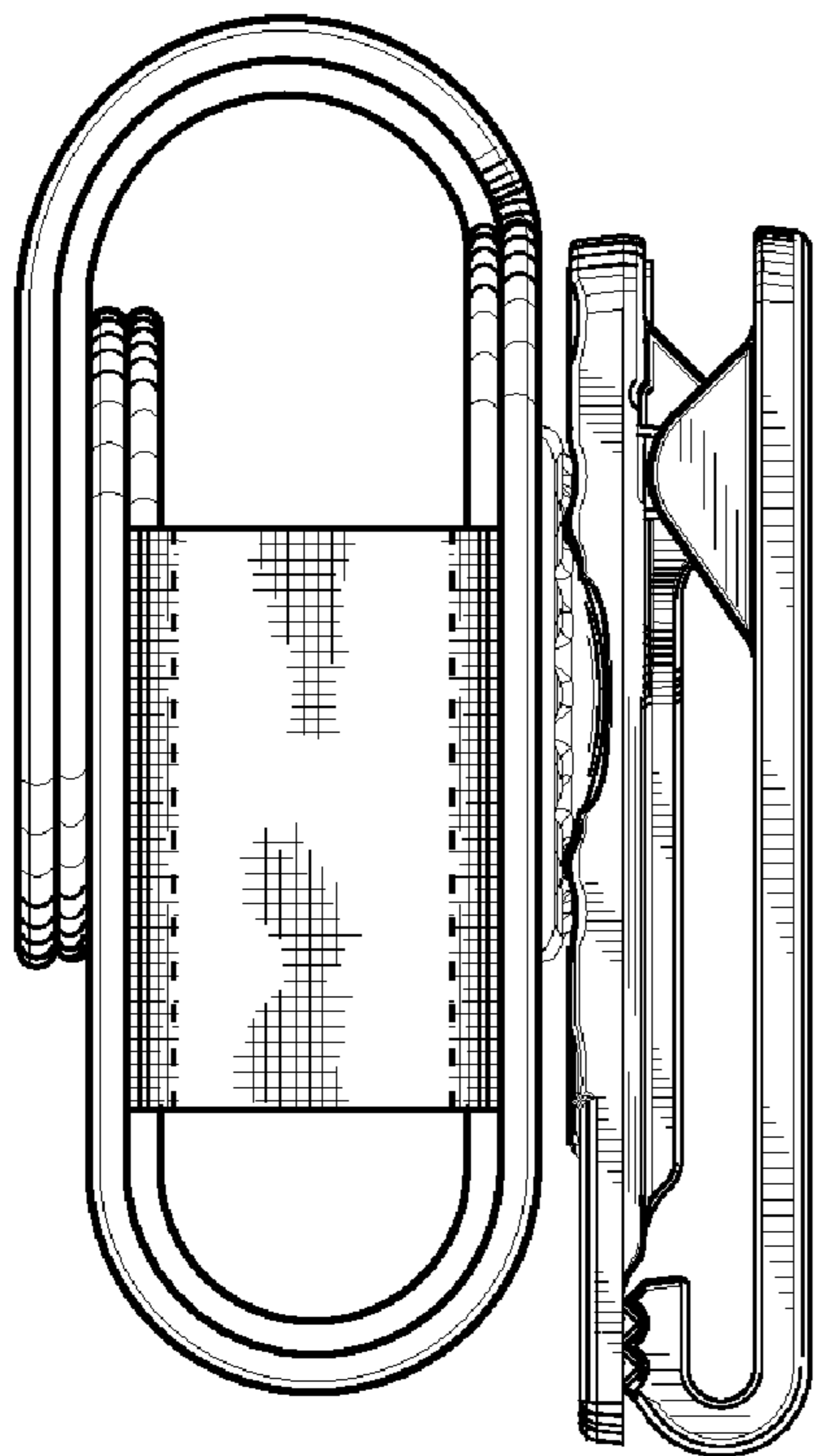


FIG. 5

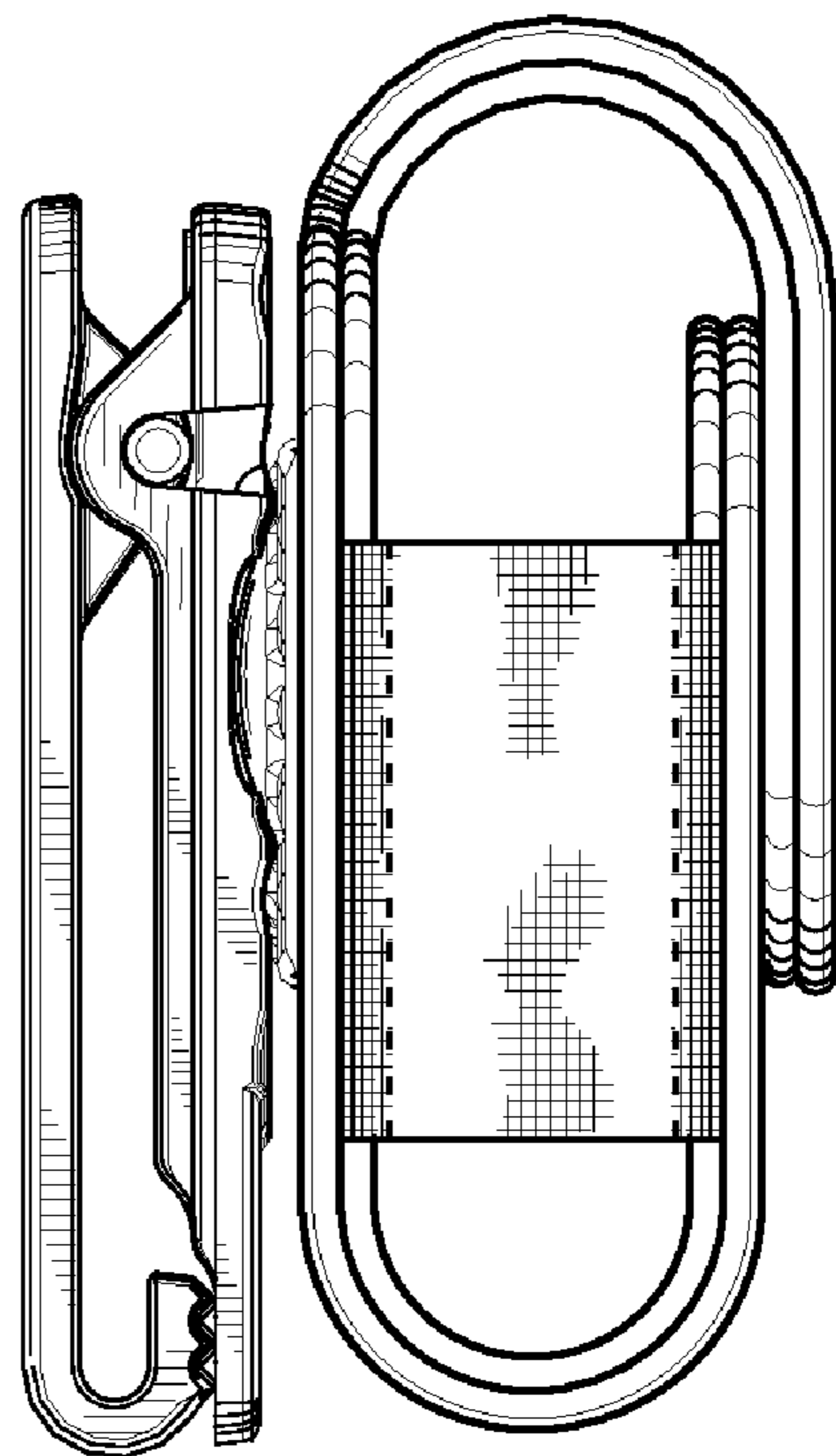


FIG. 6

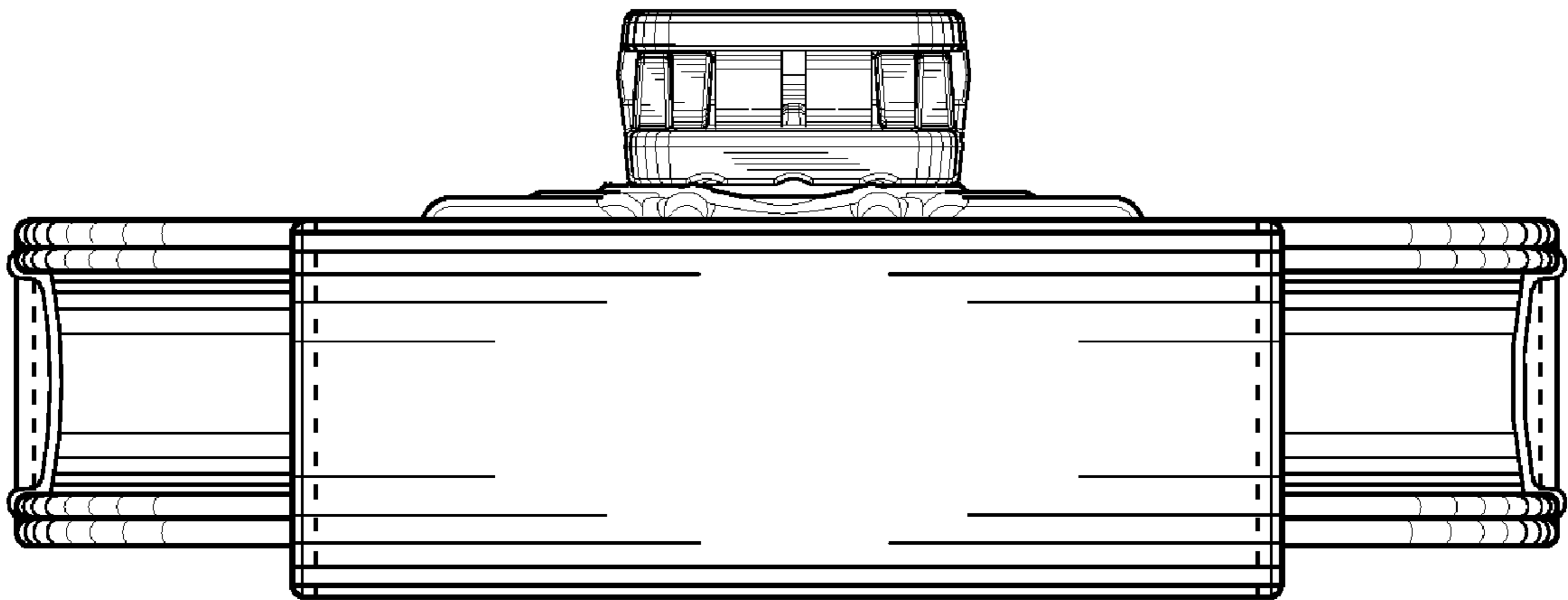


FIG. 7

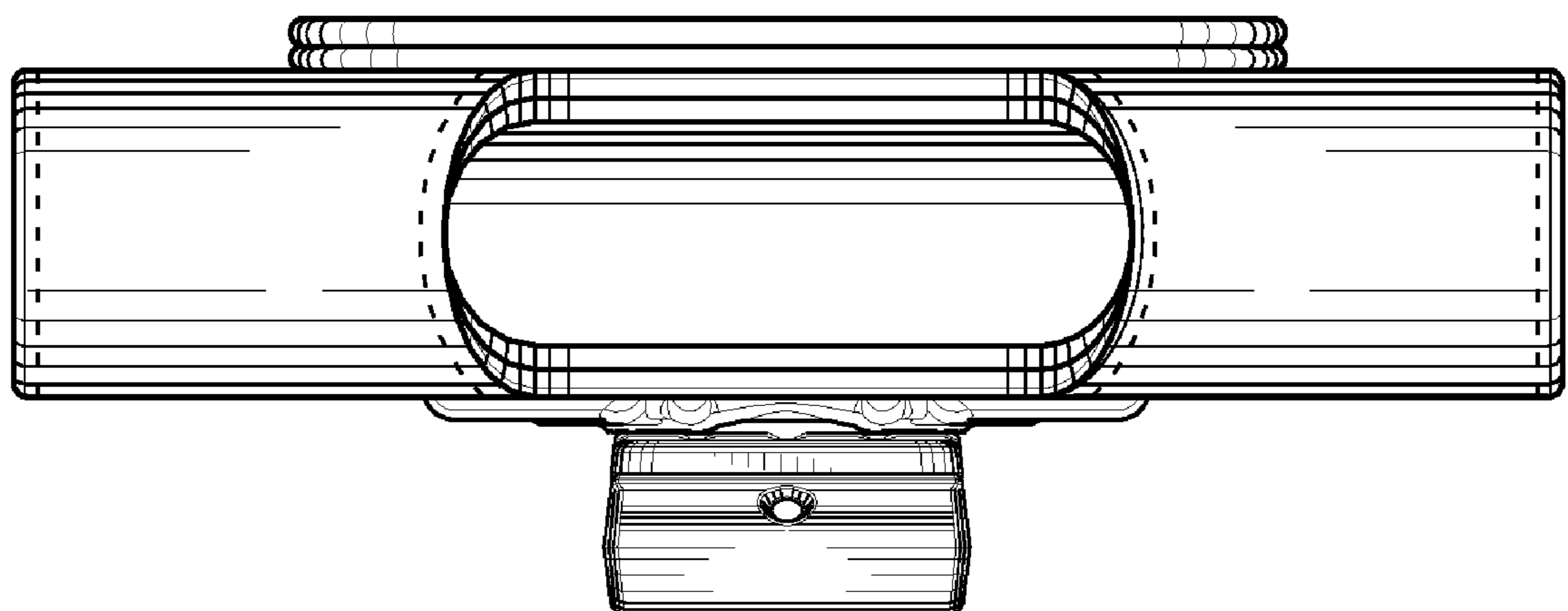


FIG. 8