



US00D606301S

(12) **United States Design Patent**
Hofer et al.

(10) **Patent No.:** **US D606,301 S**

(45) **Date of Patent:** **** Dec. 22, 2009**

(54) **ELECTRONIC DEVICE HOLSTER**

D561,463 S * 2/2008 Malhotra D3/218
D565,836 S * 4/2008 Wang D3/201

(75) Inventors: **Joseph M. Hofer**, Waterloo (CA); **Todd Andrew Wood**, Waterloo (CA); **Michael Grigoriev**, Ottawa (CA)

* cited by examiner

Primary Examiner—Catherine R Oliver

(73) Assignee: **Research In Motion Limited**, Waterloo (CA)

(57) **CLAIM**

(**) Term: **14 Years**

We claim the ornamental design for an electronic device holster, as shown and described.

(21) Appl. No.: **29/332,730**

(22) Filed: **Feb. 24, 2009**

DESCRIPTION

(51) **LOC (9) Cl.** **03-01**

FIG. 1 is a front perspective view of an electronic device holster;

(52) **U.S. Cl.** **D3/218**

FIG. 2 is a rear perspective view thereof;

(58) **Field of Classification Search** D3/218,

FIG. 3 is a front elevation view thereof;

D3/201, 215, 219, 226, 269, 272–273; 206/305, 206/320; 455/90, 92, 42; 379/455; 224/666, 224/674–677, 680–683, 240, 901; D14/496, D14/156, 138

FIG. 4 is a rear elevation view thereof;

FIG. 5 is a top plan view thereof;

See application file for complete search history.

FIG. 6 is a bottom plan view thereof;

FIG. 7 is a left elevation view thereof; and,

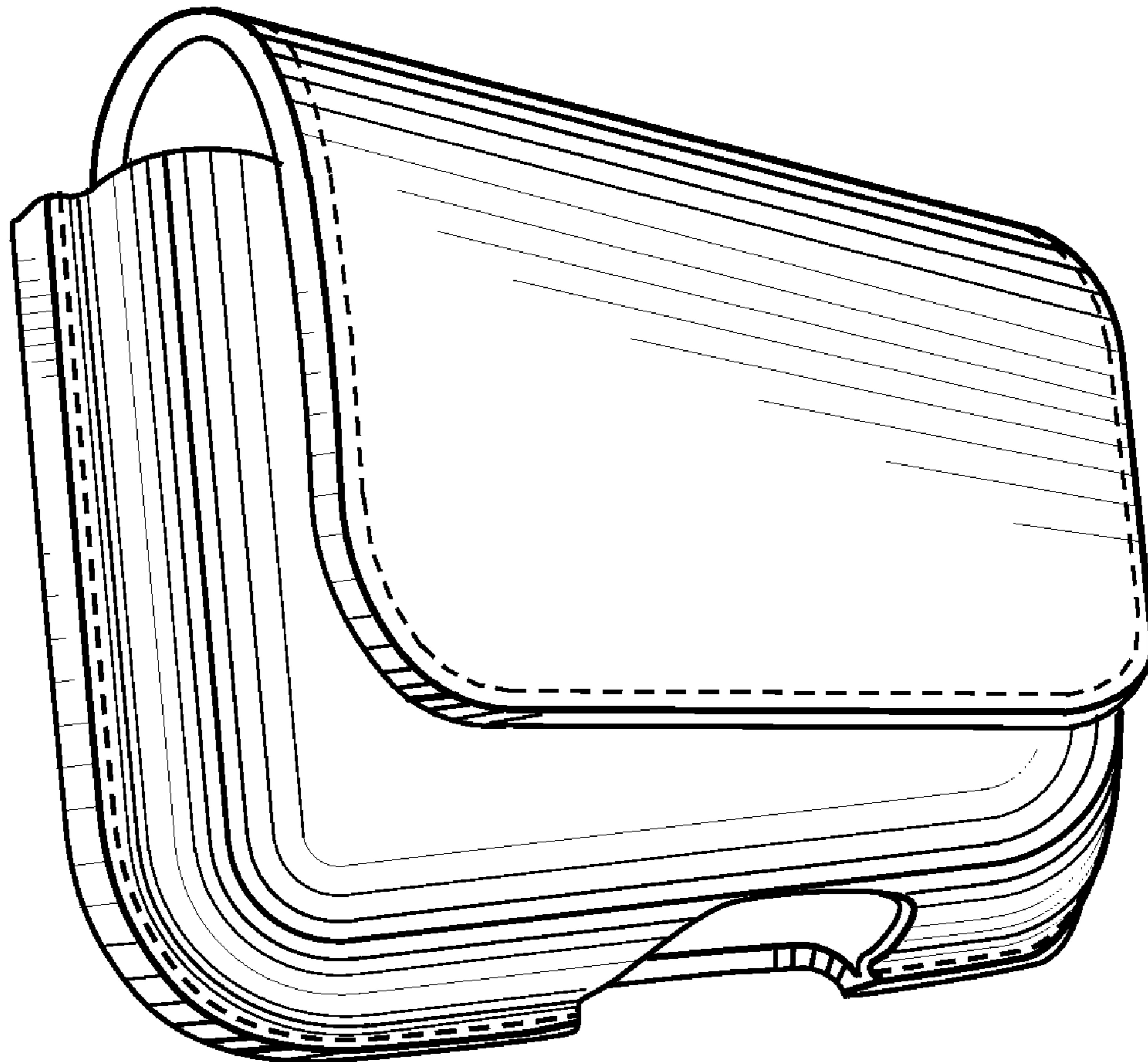
FIG. 8 is a right elevation view thereof.

(56) **References Cited**

U.S. PATENT DOCUMENTS

D515,807 S * 2/2006 Faillace D3/218

1 Claim, 5 Drawing Sheets



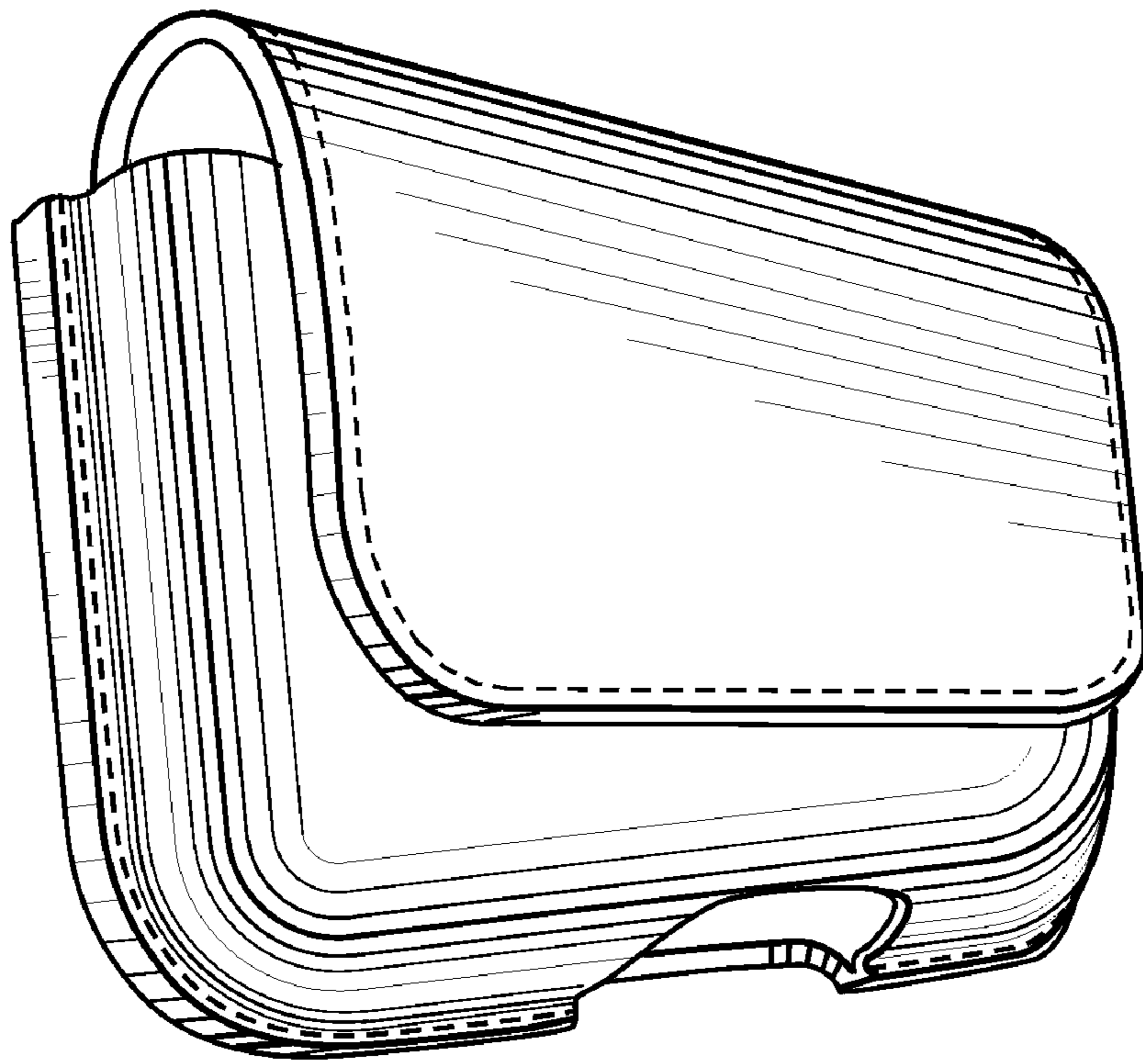


FIG. 1

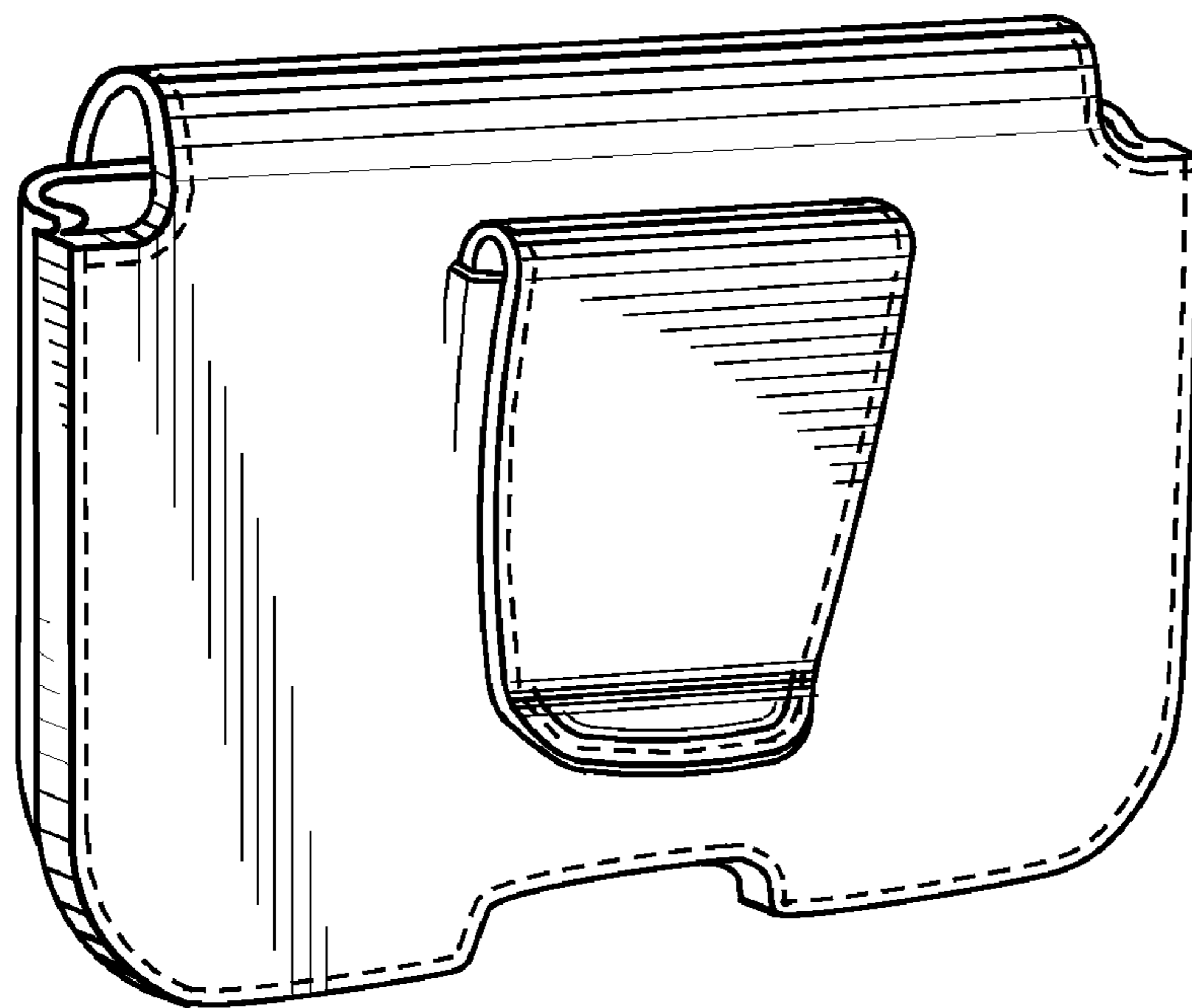


FIG. 2

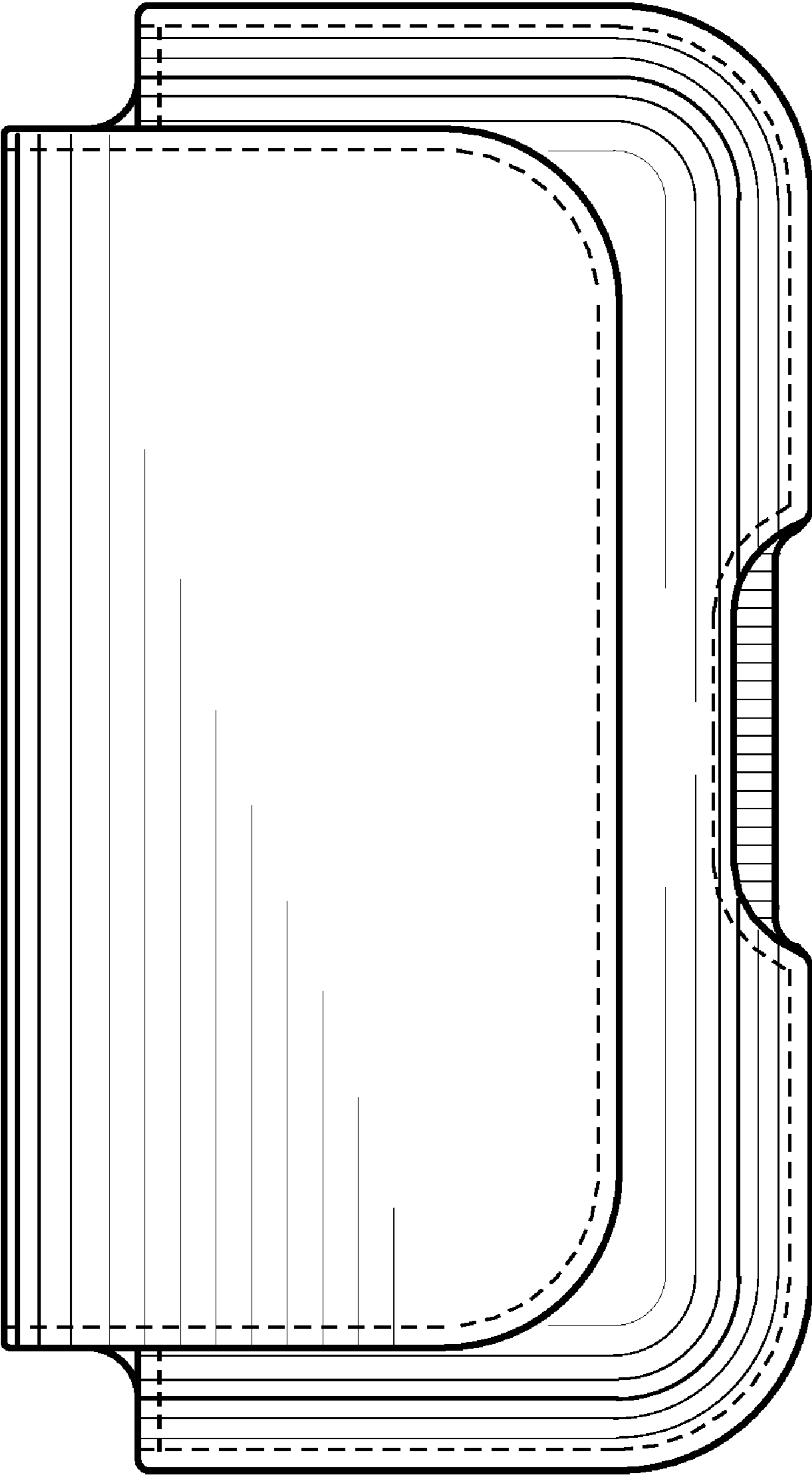


FIG. 3

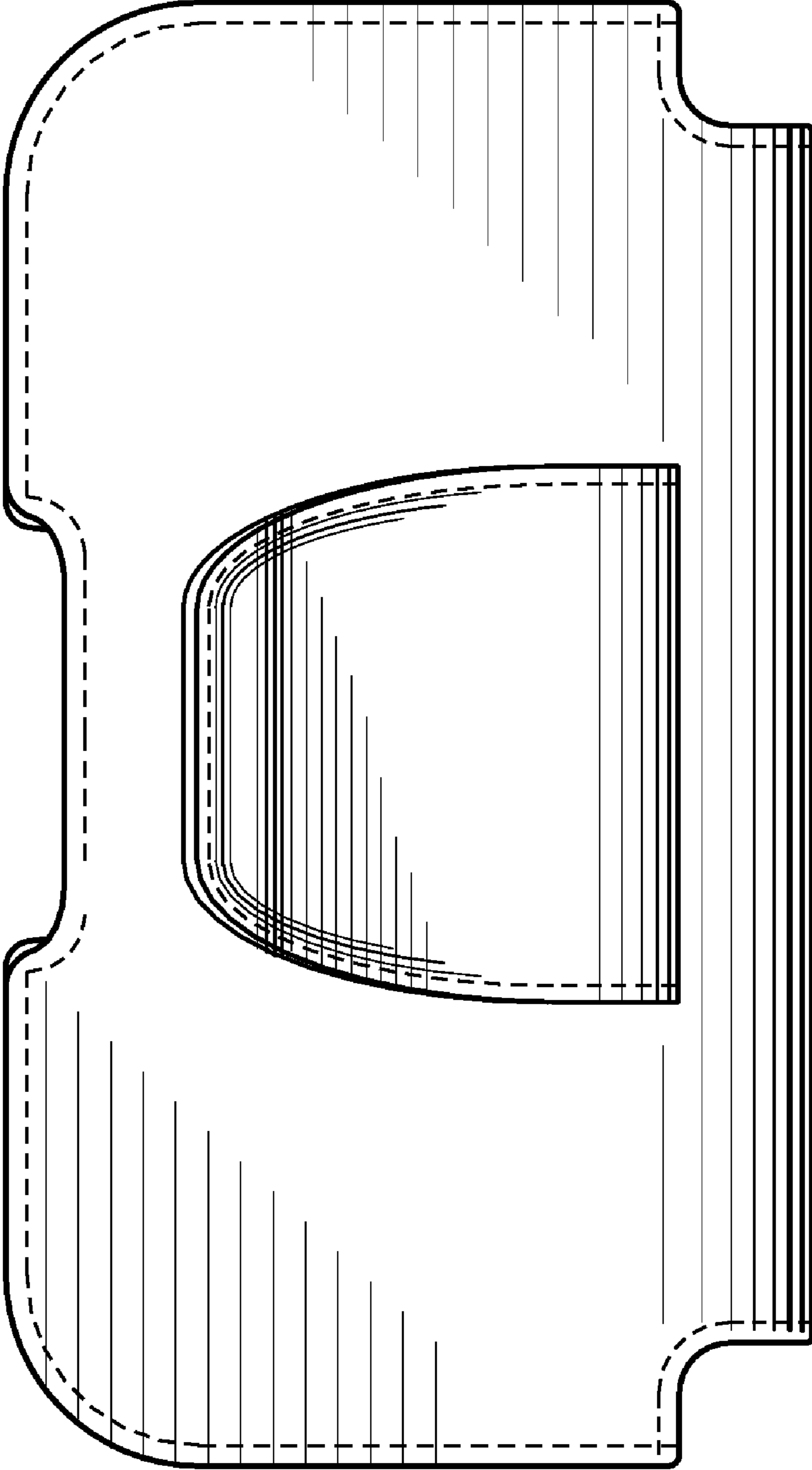


FIG.4

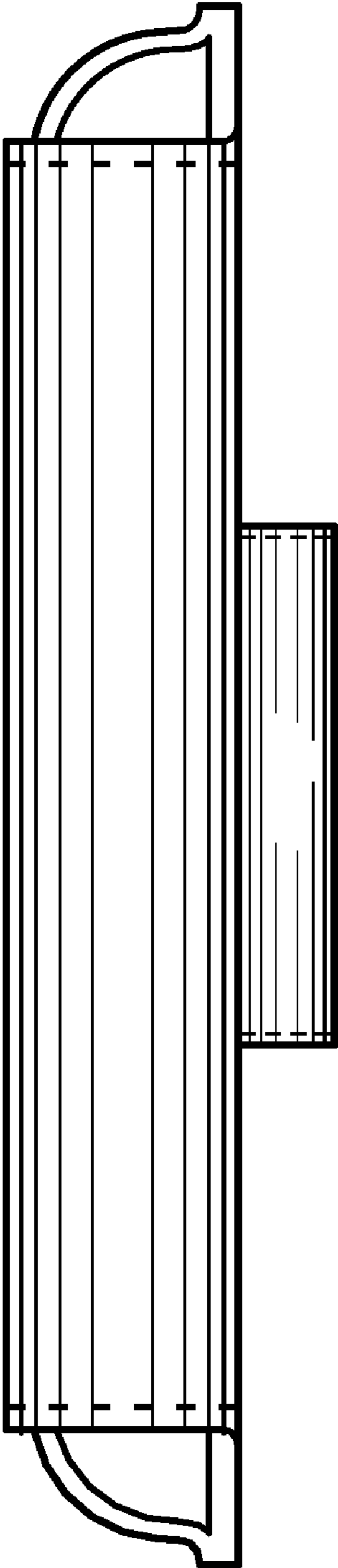


FIG. 5

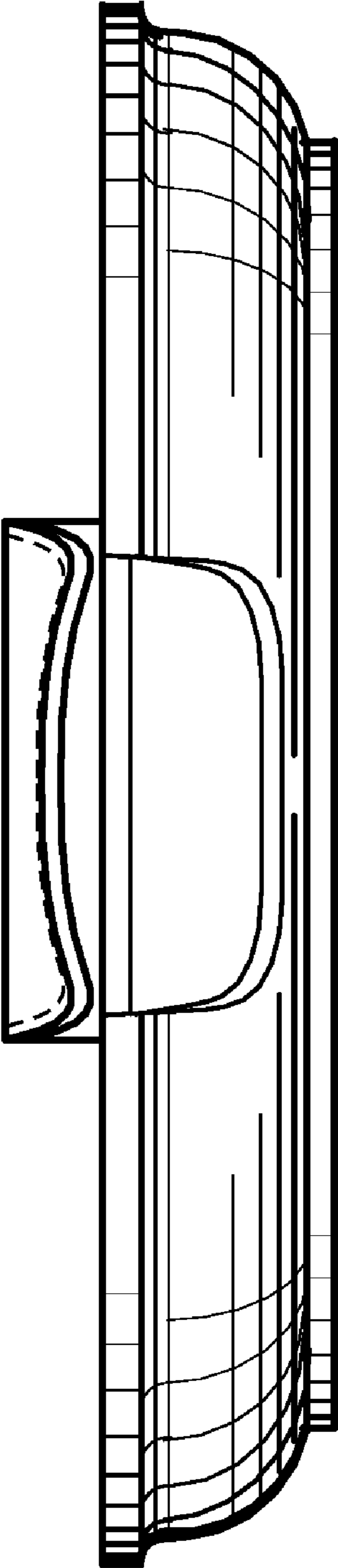


FIG. 6

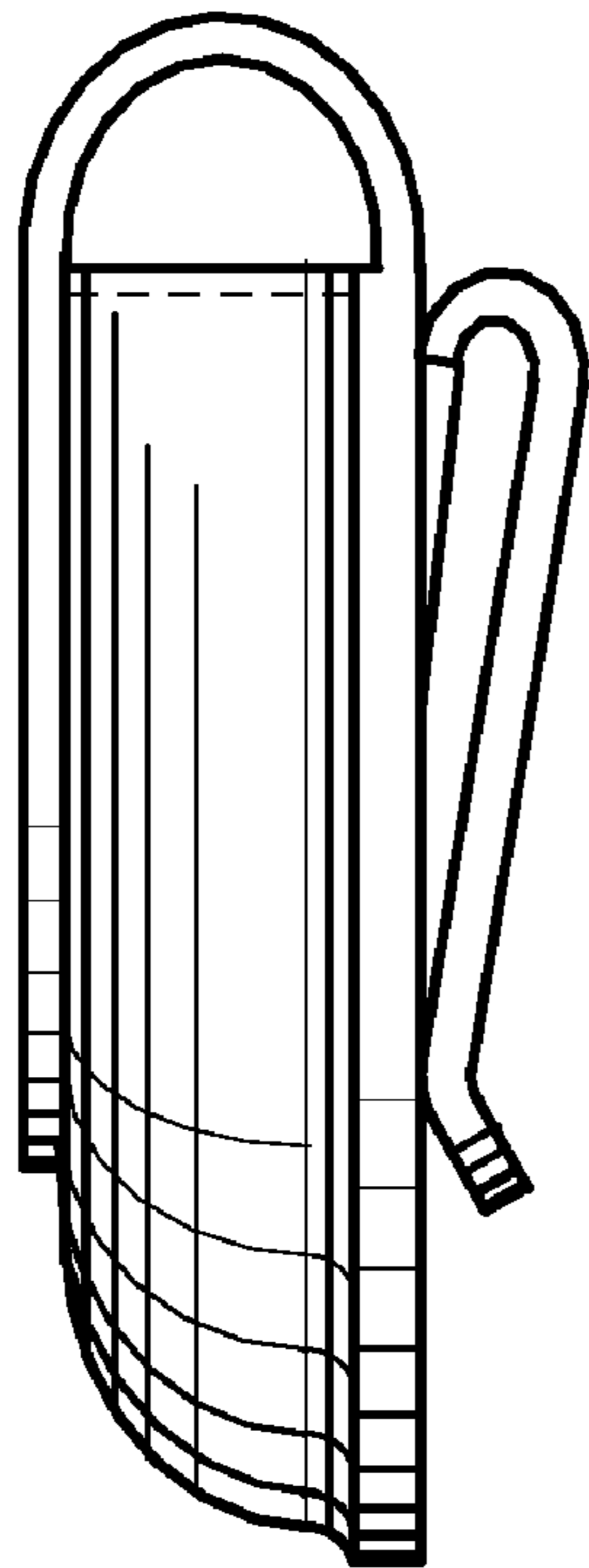


FIG. 7

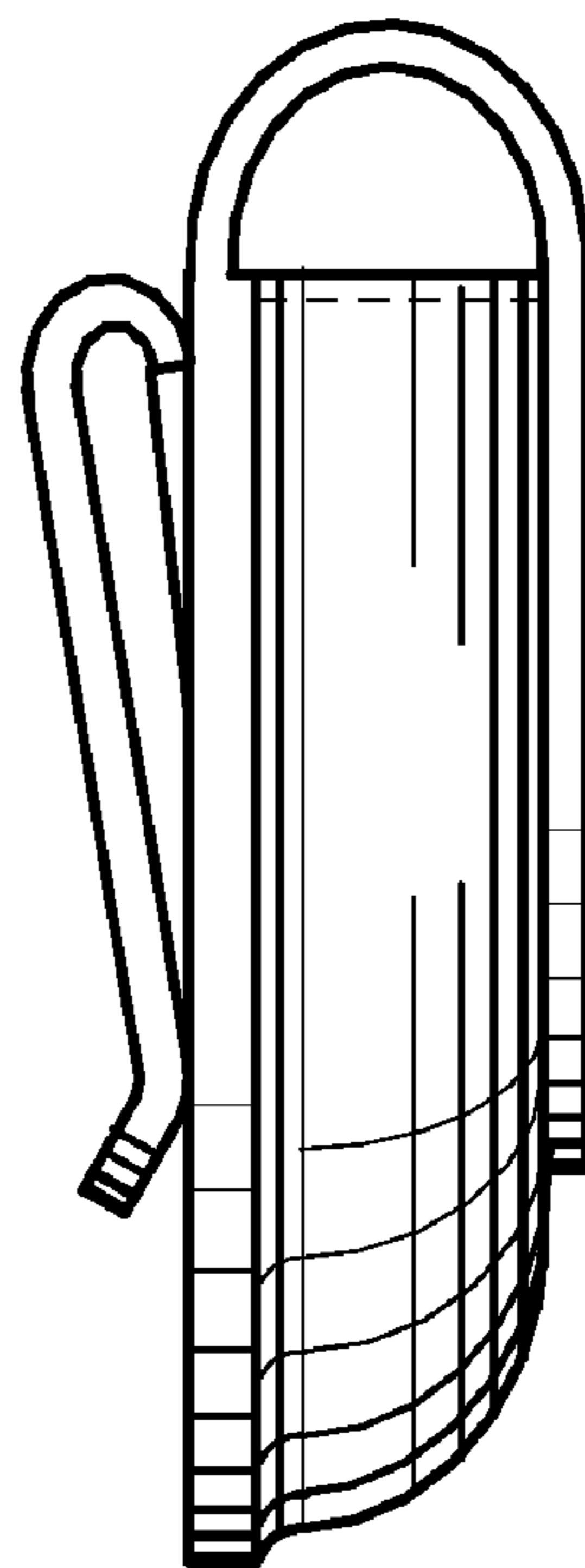


FIG. 8