

US00D606287S

(12) **United States Design Patent**  
**Denny**

(10) **Patent No.:** **US D606,287 S**

(45) **Date of Patent:** **\*\* \*Dec. 22, 2009**

(54) **HAT**

(76) Inventor: **Zina Ann Denny**, 4941 Hummingbird La., Juneau, AK (US) 99801

(\*) Notice: This patent is subject to a terminal disclaimer.

(\*\*) Term: **14 Years**

(21) Appl. No.: **29/339,055**

(22) Filed: **Jun. 23, 2009**

(51) **LOC (9) Cl.** ..... **02-03**

(52) **U.S. Cl.** ..... **D2/887**

(58) **Field of Classification Search** ..... D2/865,  
D2/866, 869, 878, 879, 882, 886, 887, 888;  
2/171, 175.1, 175.3, 175.4, 175.5

See application file for complete search history.

(56) **References Cited**

**U.S. PATENT DOCUMENTS**

D1,701 S	12/1862	Warburton	
D4,356 S	9/1870	Wentworth	
D35,660 S	2/1902	Mundheim	
D69,439 S	2/1926	Caradine et al.	
1,672,217 A *	6/1928	Holmes	2/175.3
D123,182 S	10/1940	Stricker	
D153,538 S *	4/1949	Moore	D2/887
D169,486 S	5/1953	Hoeflich	
D175,451 S *	8/1955	Young	D2/865
2,725,571 A *	12/1955	Young	2/175.2
2,879,518 A	3/1959	Welton	
D280,147 S	8/1985	Wolff	
D287,062 S	12/1986	Hancock	
D359,383 S *	6/1995	Hutchinson et al.	D2/866
5,592,696 A *	1/1997	Oliver	2/175.3
D386,305 S *	11/1997	Lau	D3/271.4
5,713,083 A *	2/1998	King	2/416
D392,926 S *	3/1998	Adelaar	D12/162
5,933,872 A *	8/1999	Lema	2/209.7
6,170,087 B1 *	1/2001	Brannon	2/209.13

D458,735 S *	6/2002	Cook et al.	D2/869
D470,643 S *	2/2003	Brown	D2/886
D474,326 S *	5/2003	Williams	D2/886
D482,849 S *	12/2003	Mansell et al.	D2/882
D513,988 S *	1/2006	Malik	D9/451
7,143,451 B2 *	12/2006	Lundgren	2/171.3
D538,513 S *	3/2007	Serratelli	D2/888
7,454,799 B2 *	11/2008	Wuensche et al.	2/172
2006/0010566 A1 *	1/2006	Ridgeway	2/171
2008/0092272 A1 *	4/2008	Vainio et al.	2/209.7

**OTHER PUBLICATIONS**

Denny, Zina Ann Hat A co-pending U.S. Design patent application by the inventor of this application U.S. Appl. No. 29/339,054, filed Jun. 23, 2009.

Denny, Zina Ann Hat A co-pending U.S. Design patent application by the inventor of this application U.S. Appl. No. 29/339,064, filed Jun. 23, 2009.

\* cited by examiner

*Primary Examiner*—Elizabeth A Albert

*Assistant Examiner*—Karen E Eldridge Powers

(74) *Attorney, Agent, or Firm*—Gerard Carlson, Agent

(57) **CLAIM**

The ornamental design for a hat, as shown and described.

**DESCRIPTION**

FIG. 1 is a front perspective view of the hat;

FIG. 2 is a rear perspective view of the hat;

FIG. 3 is a front elevation view of the hat;

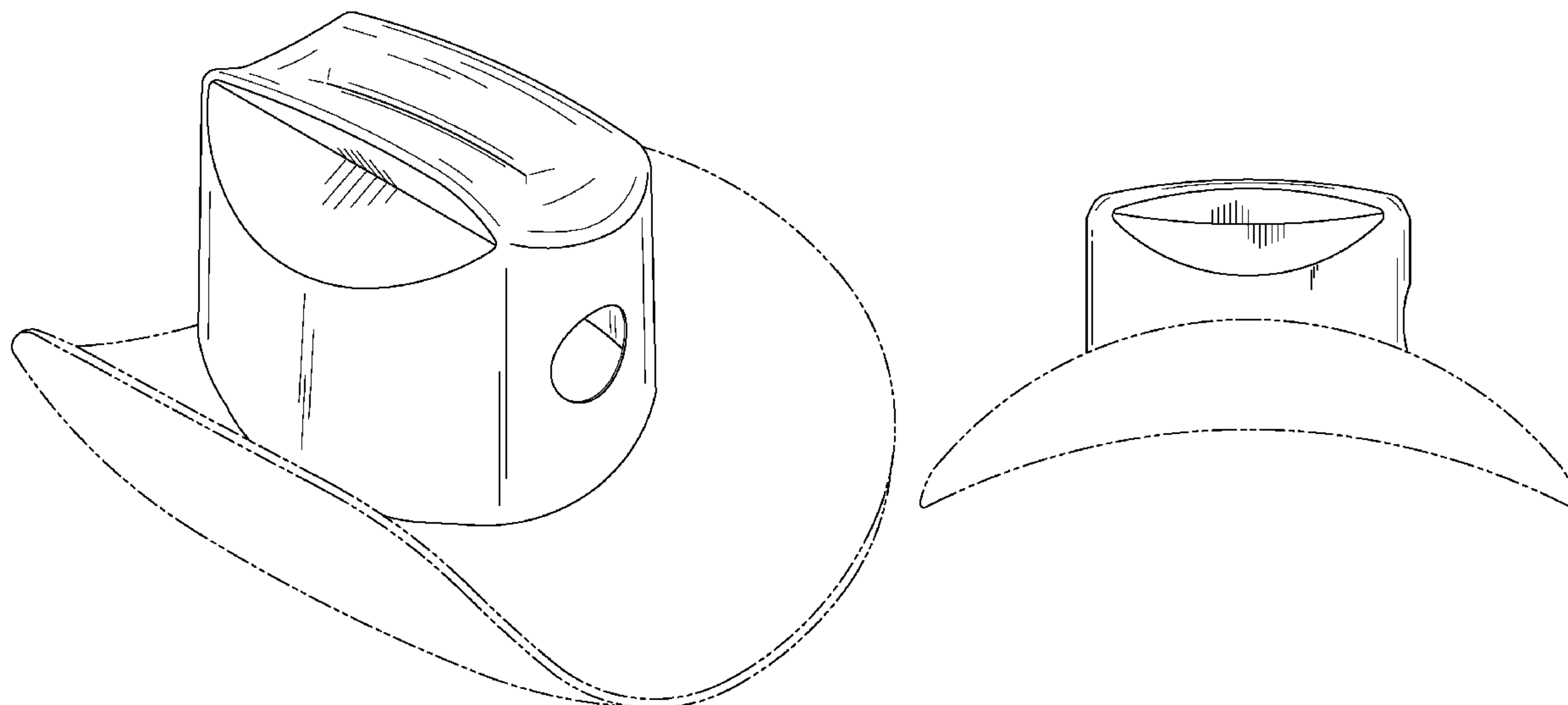
FIG. 4 is a left side elevation view of the hat, the right side elevation view being a mirror image thereof;

FIG. 5 is a rear elevation view of the hat; and,

FIG. 6 is a plan view of the hat from above.

In FIGS. 1–6, the broken lines showing the brim of the hat are for the purpose of illustrating environmental structure only and form no part of the claimed design.

**1 Claim, 3 Drawing Sheets**



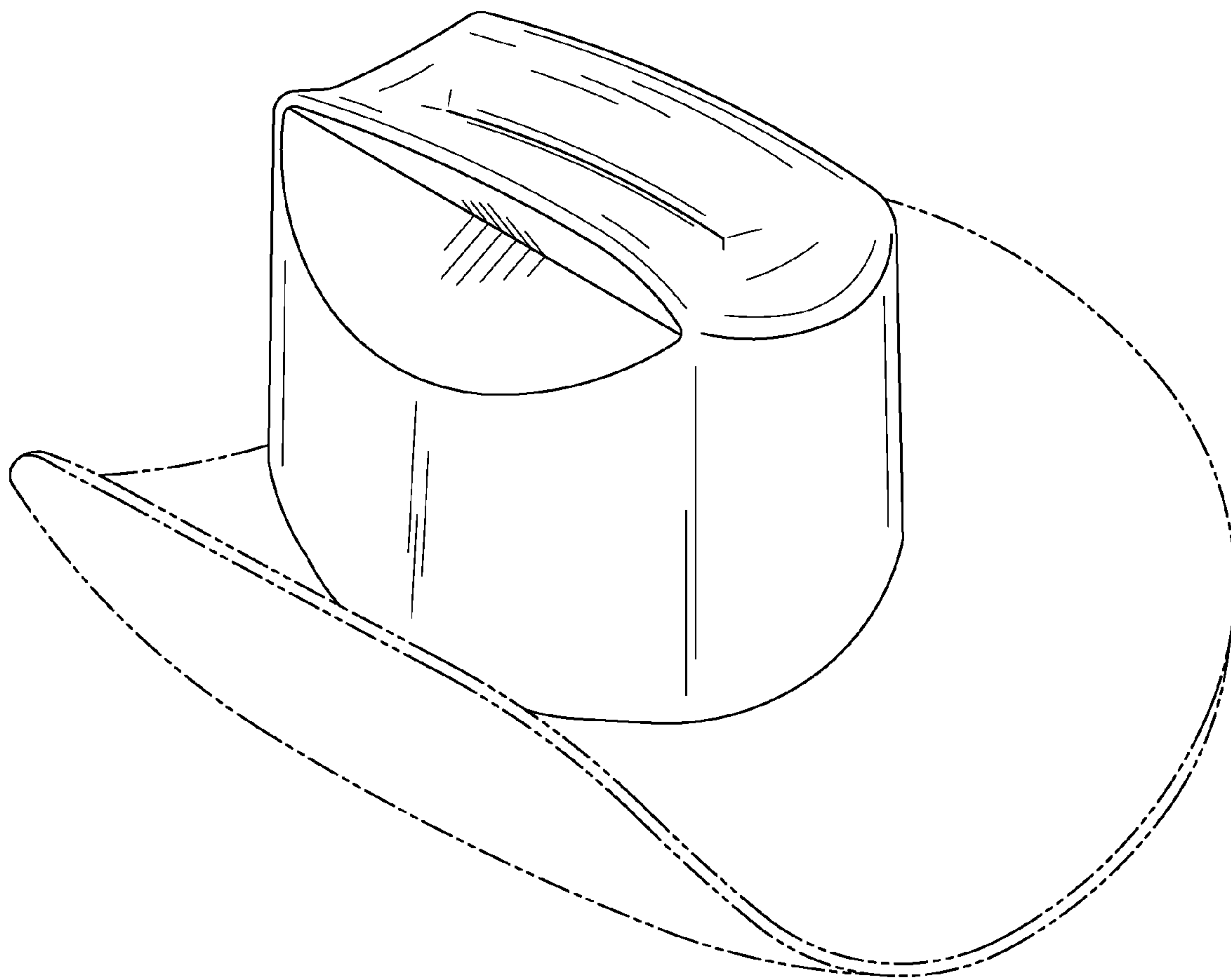


FIG. 1

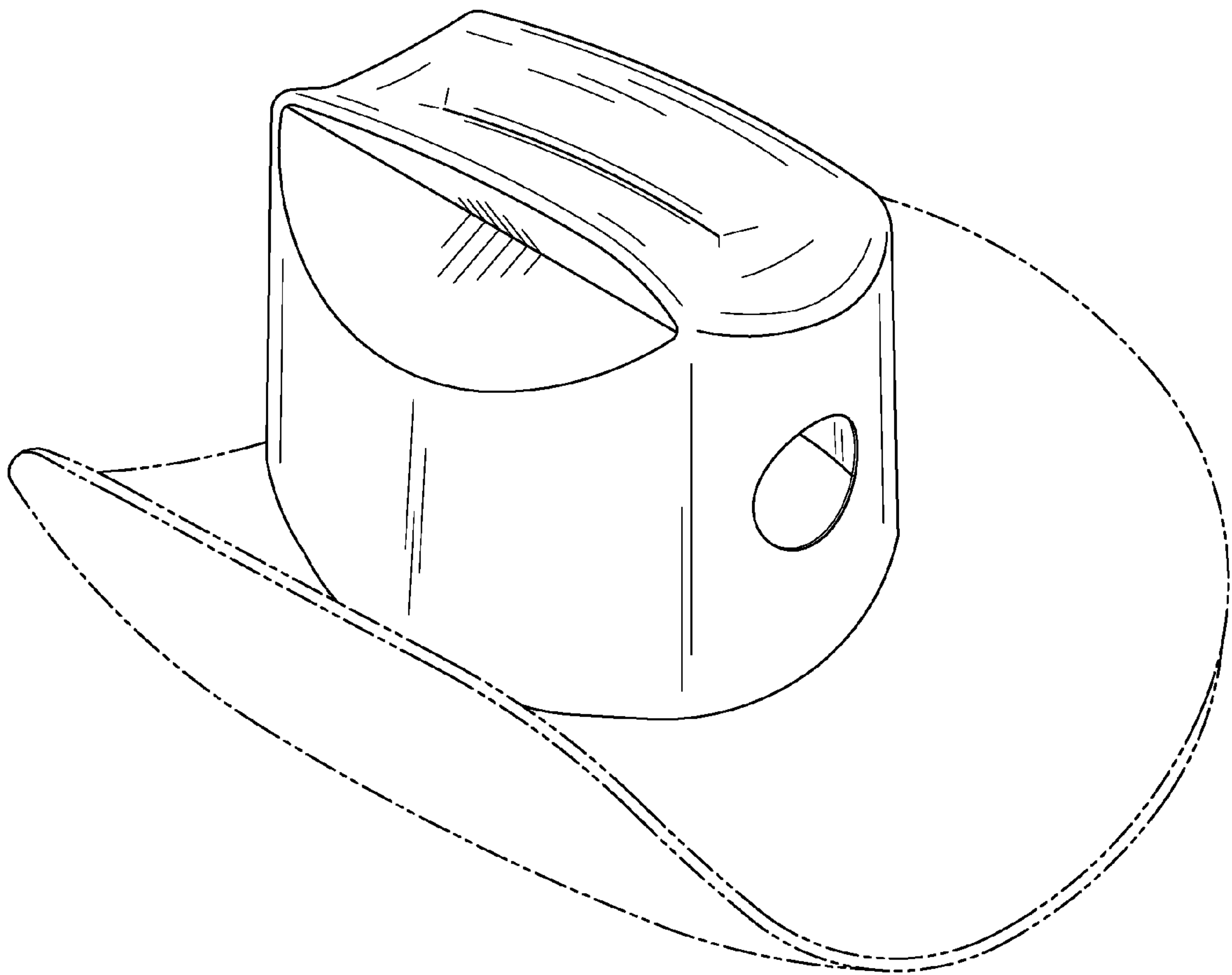


FIG. 2

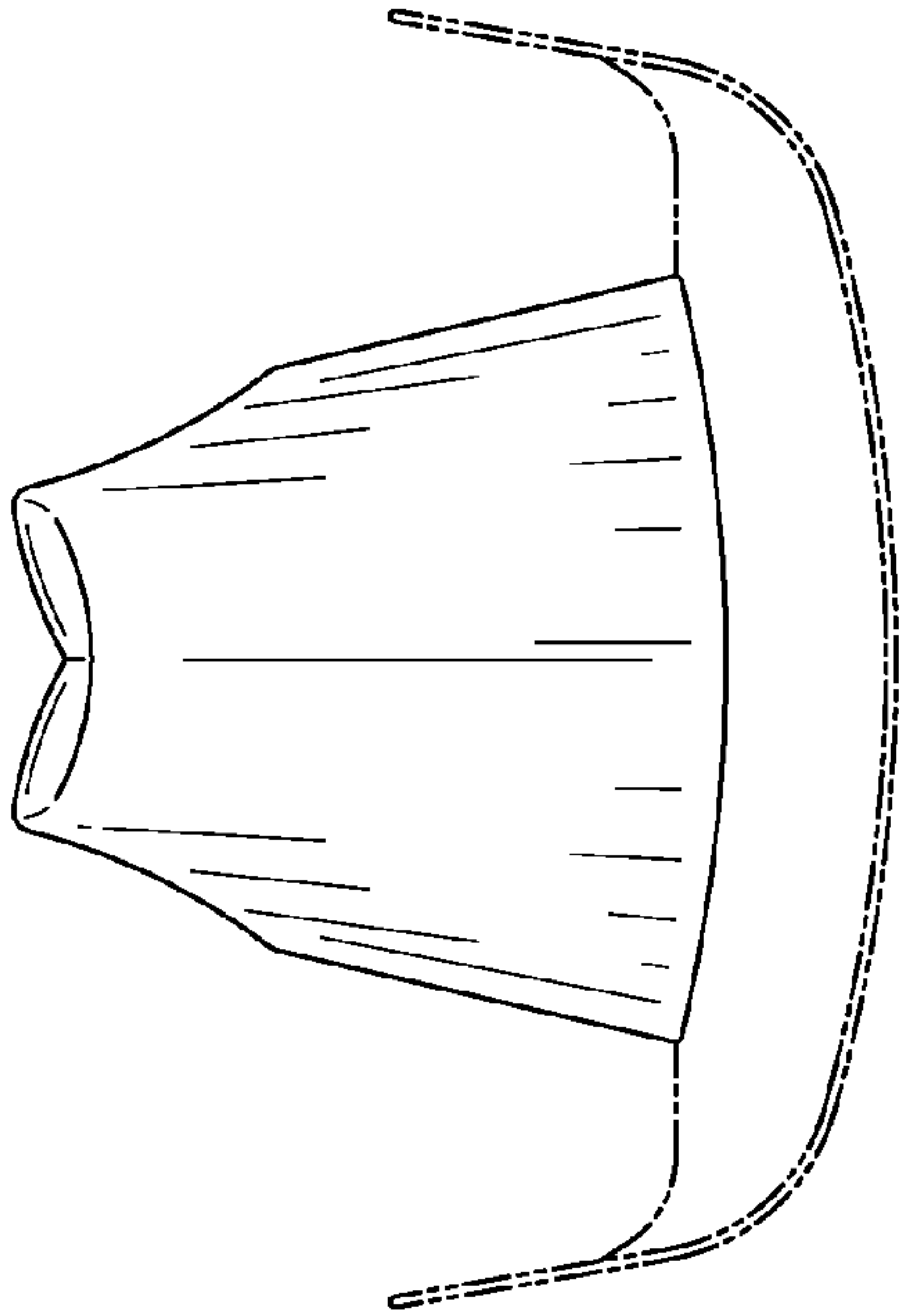


FIG. 3

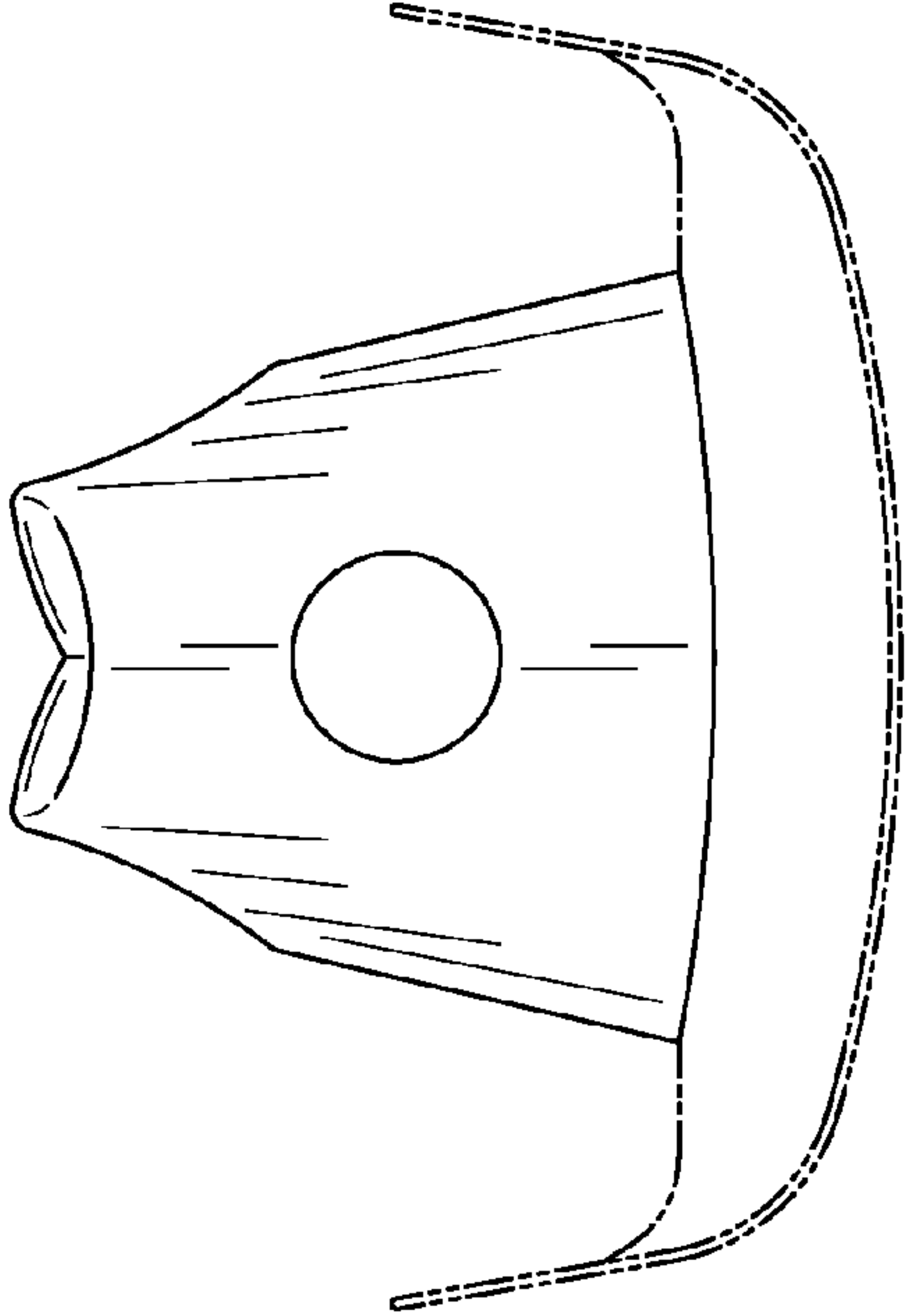


FIG. 5

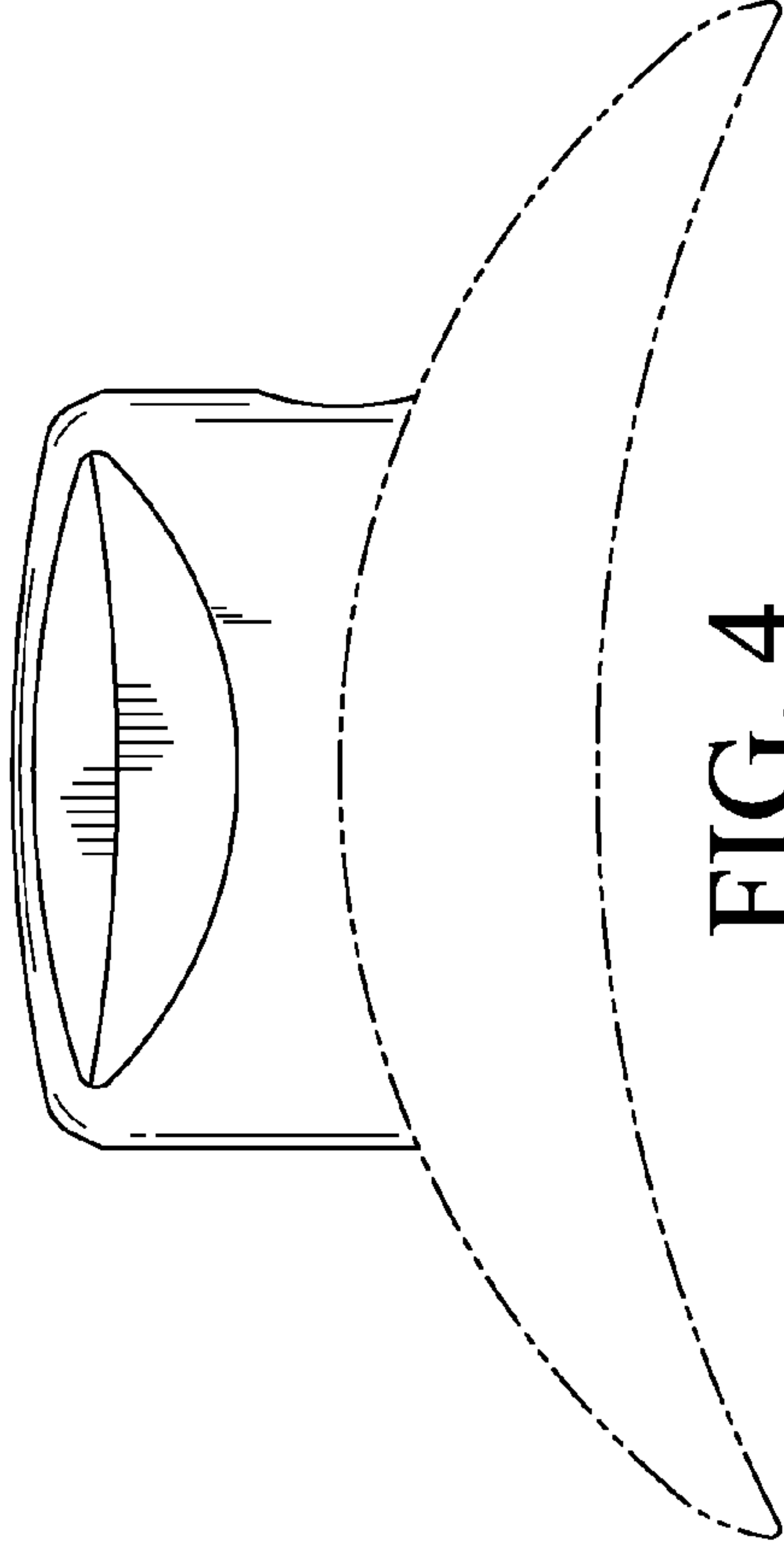


FIG. 4

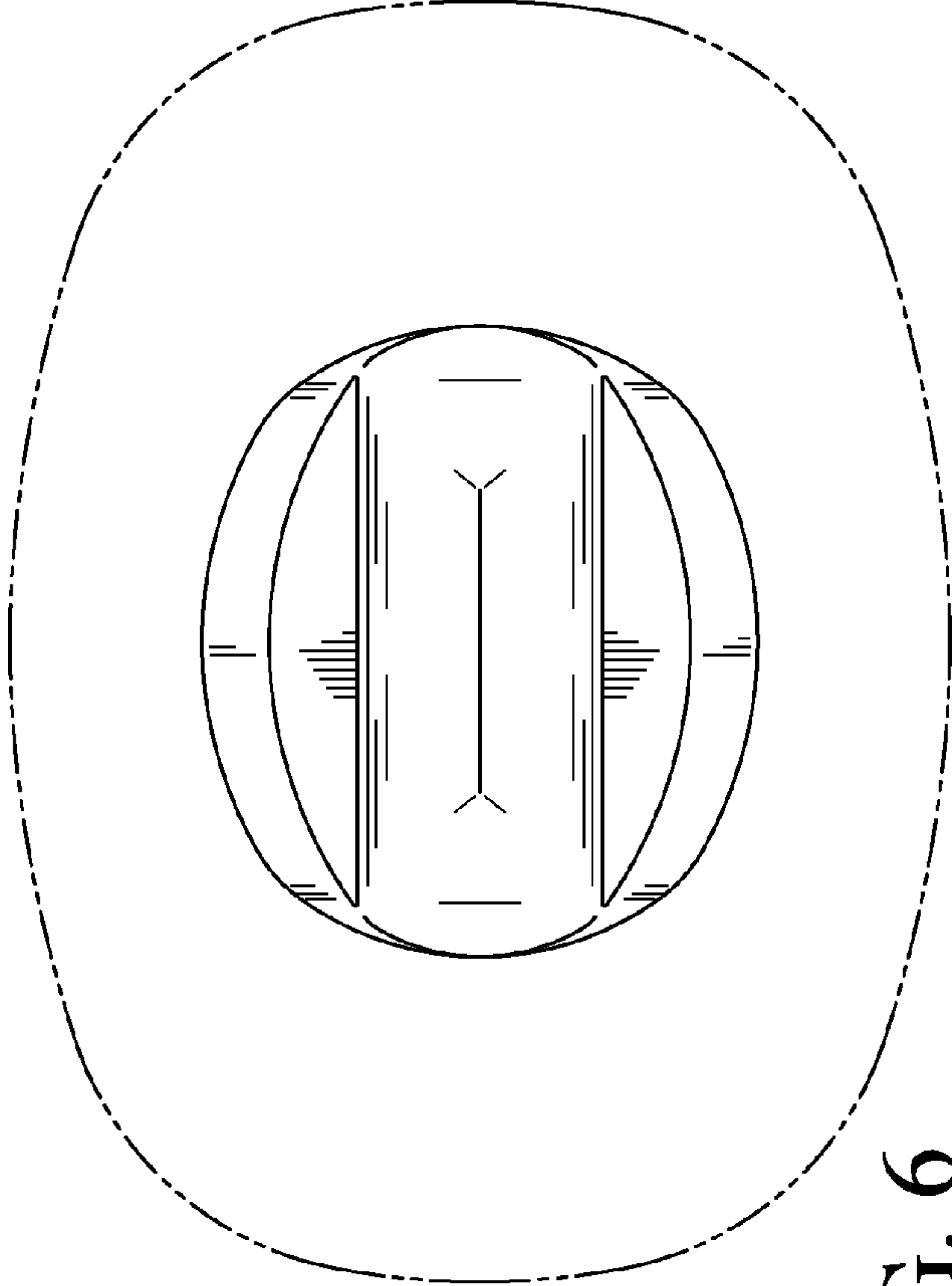


FIG. 6