



US00D606281S

(12) **United States Design Patent**
Caffejian et al.

(10) **Patent No.:** **US D606,281 S**

(45) **Date of Patent:** **** Dec. 22, 2009**

(54) **THONG**

(76) Inventors: **Paul Caffejian**, 2711 Cabo St.,
Pahrump, NV (US) 89080; **Alice**
Caffejian, 2711 Cabo St., Pahrump, NV
(US) 89080

(**) Term: **14 Years**

(21) Appl. No.: **29/303,554**

(22) Filed: **Feb. 12, 2008**

(51) **LOC (9) Cl.** **02-01**

(52) **U.S. Cl.** **D2/712**

(58) **Field of Classification Search** D2/700,
D2/712, 731, 738; 2/78.1-78.3, 113-114,
2/220-221, 400-405, 238, 212-213
See application file for complete search history.

(56) **References Cited**

U.S. PATENT DOCUMENTS

D44,873	S	*	11/1913	Guinzburg	D2/712
1,984,875	A	*	12/1934	Heyn	2/401
D146,077	S	*	12/1946	Farley	D3/243
2,525,170	A	*	10/1950	Ehrlich	2/402
4,394,781	A		7/1983	Axmann		
D275,524	S		9/1984	Dost		
D287,664	S	*	1/1987	Sherwood et al.	D2/627
D335,102	S	*	4/1993	Crowder et al.	D11/3
5,347,657	A		9/1994	Unsell		
5,396,662	A		3/1995	Leonard et al.		
5,467,482	A		11/1995	Crawford, II		
5,832,535	A		11/1998	Davis		

D484,671	S	*	1/2004	Swan	D2/712
6,738,988	B2	*	5/2004	Ruiter et al.	2/400
D507,091	S	*	7/2005	Digney	D2/712
D507,856	S	*	8/2005	Yeramyian et al.	D2/712
D540,508	S	*	4/2007	Kushner	D2/712
D569,580	S	*	5/2008	Hodges	D2/712

* cited by examiner

Primary Examiner—Ian Simmons

Assistant Examiner—Anna J Burmeister

(74) *Attorney, Agent, or Firm*—Veronica-Adele R. Cao;
Weiss & Moy, P.C.

(57) **CLAIM**

The ornamental design for a thong, as shown and described.

DESCRIPTION

FIG. 1 is a front perspective view of a thong, showing my new design;

FIG. 2 is a top plan view thereof;

FIG. 3 is a front elevational view thereof;

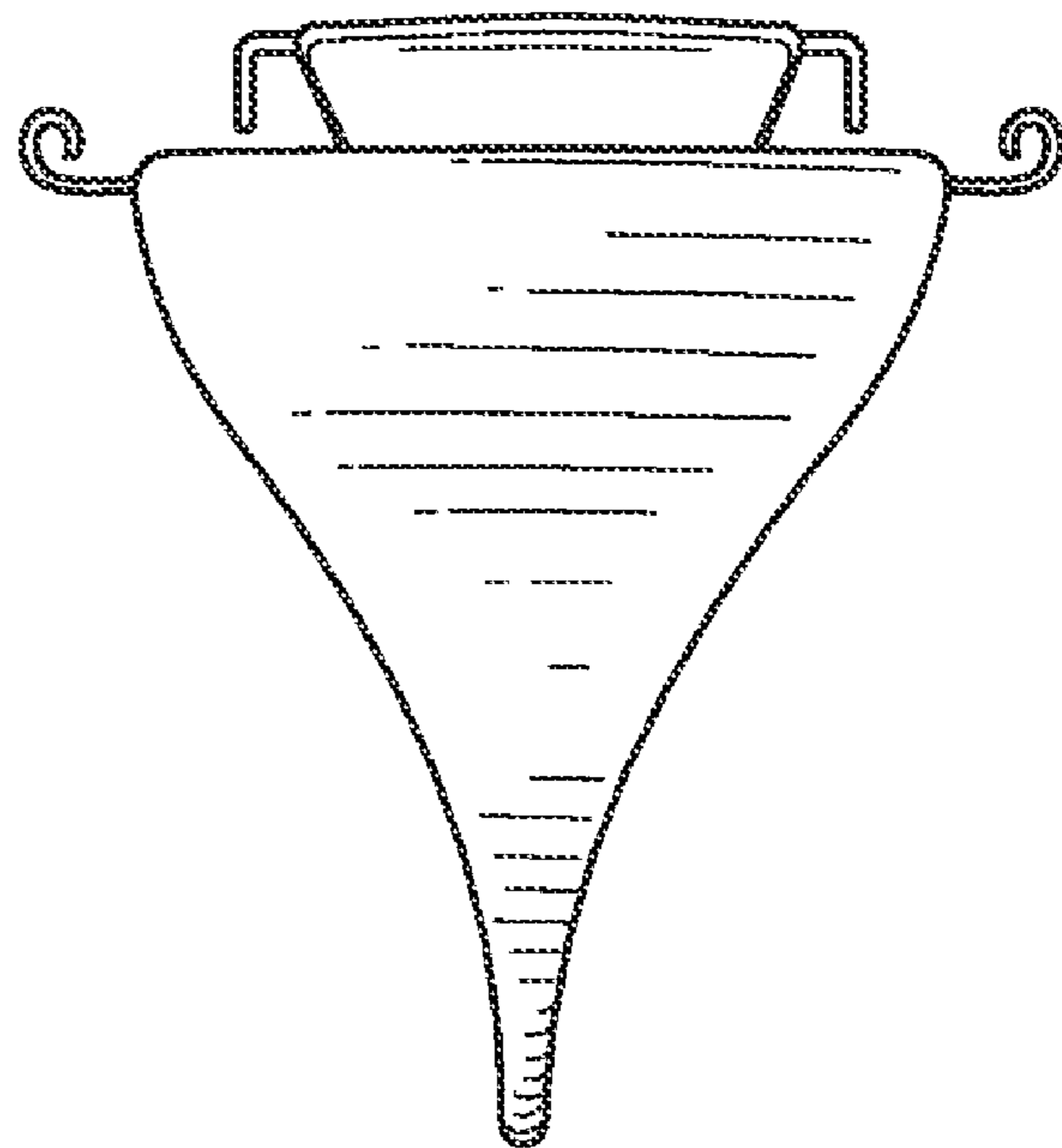
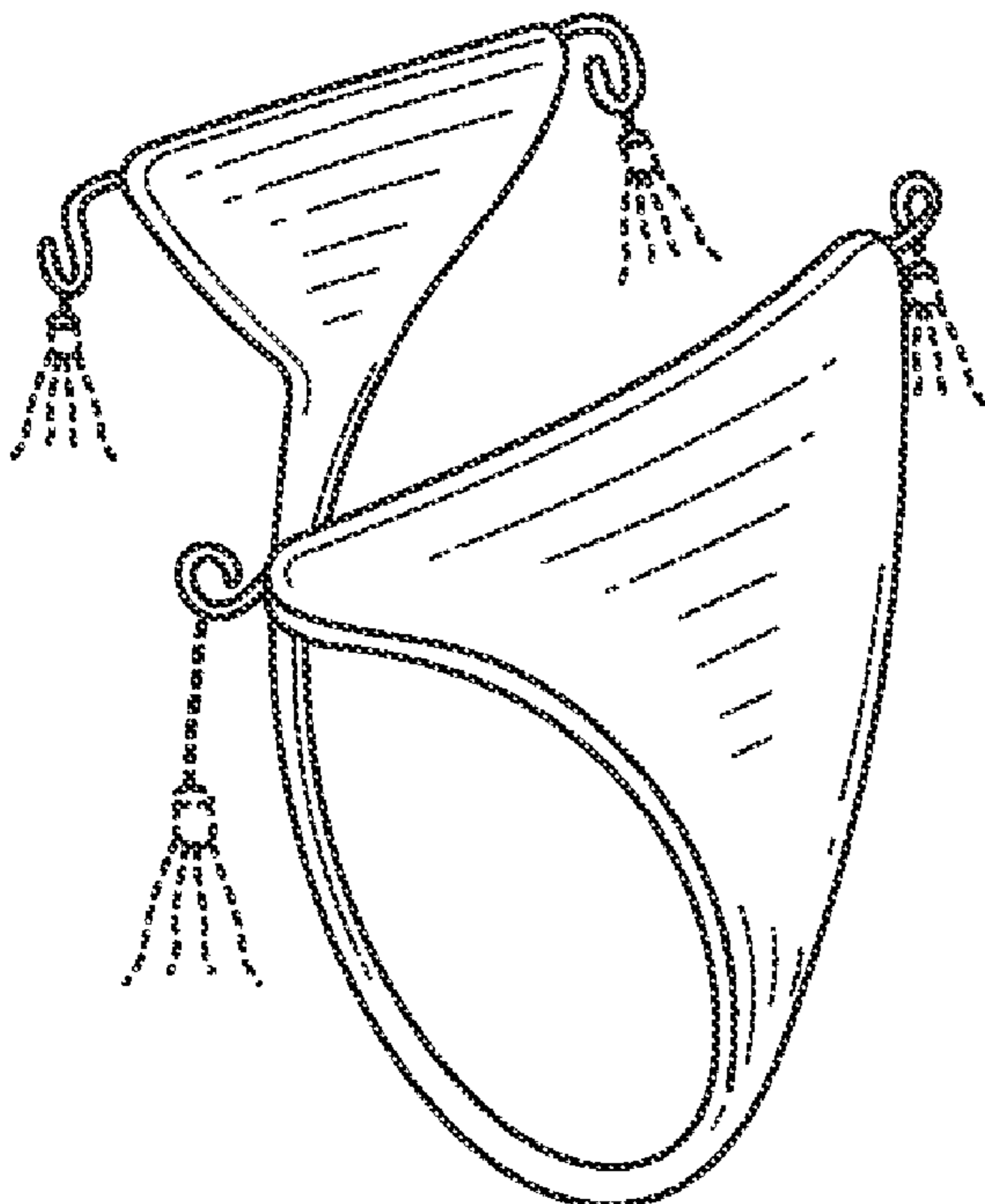
FIG. 4 is a bottom plan view thereof;

FIG. 5 is a side elevational view thereof; and,

FIG. 6 is a front perspective view of an embodiment 2 of a thong, thereof.

The broken line showing of the tassels in FIG. 1 is for environmental purposes only and forms no part of the claimed design.

1 Claim, 2 Drawing Sheets



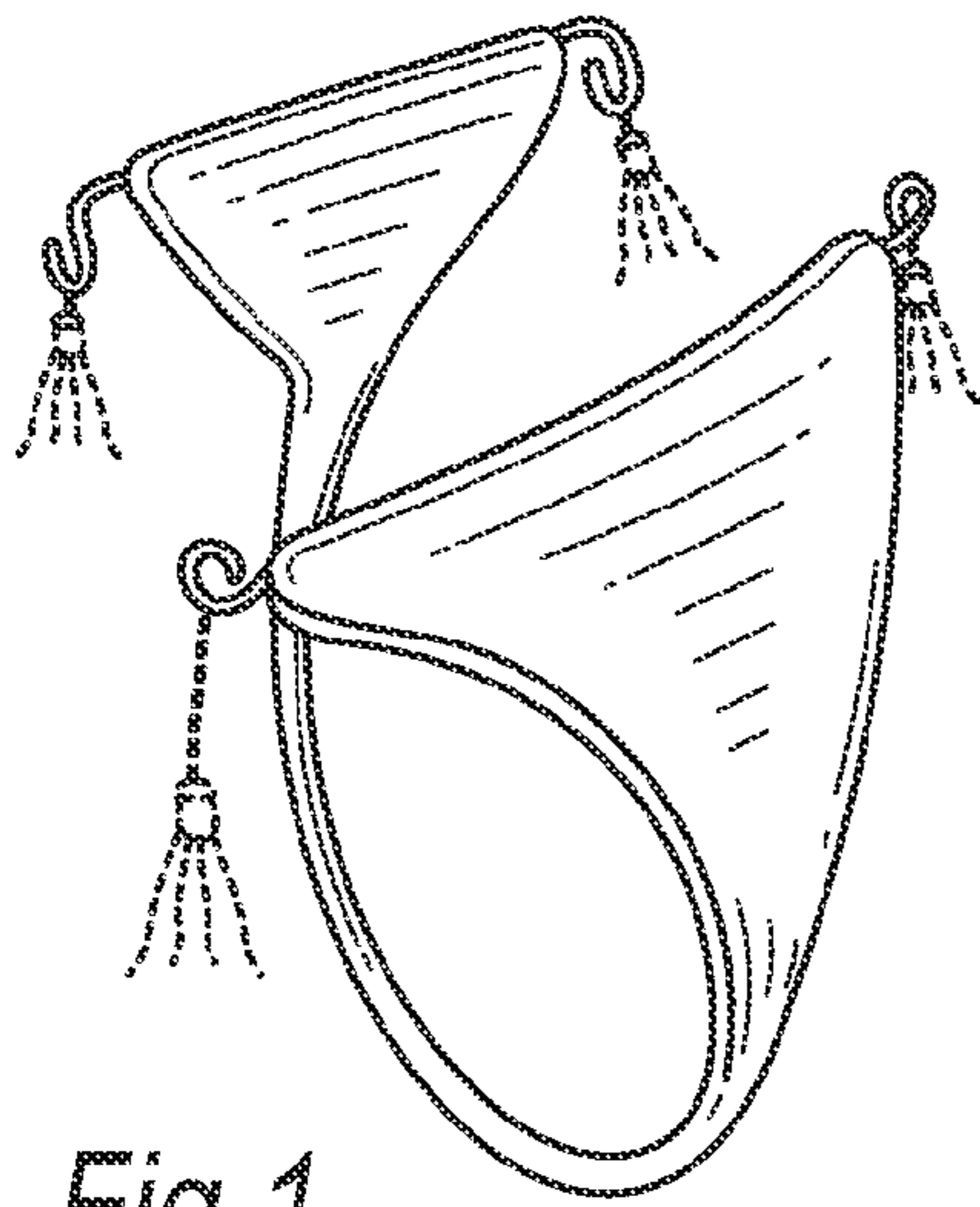


Fig. 1

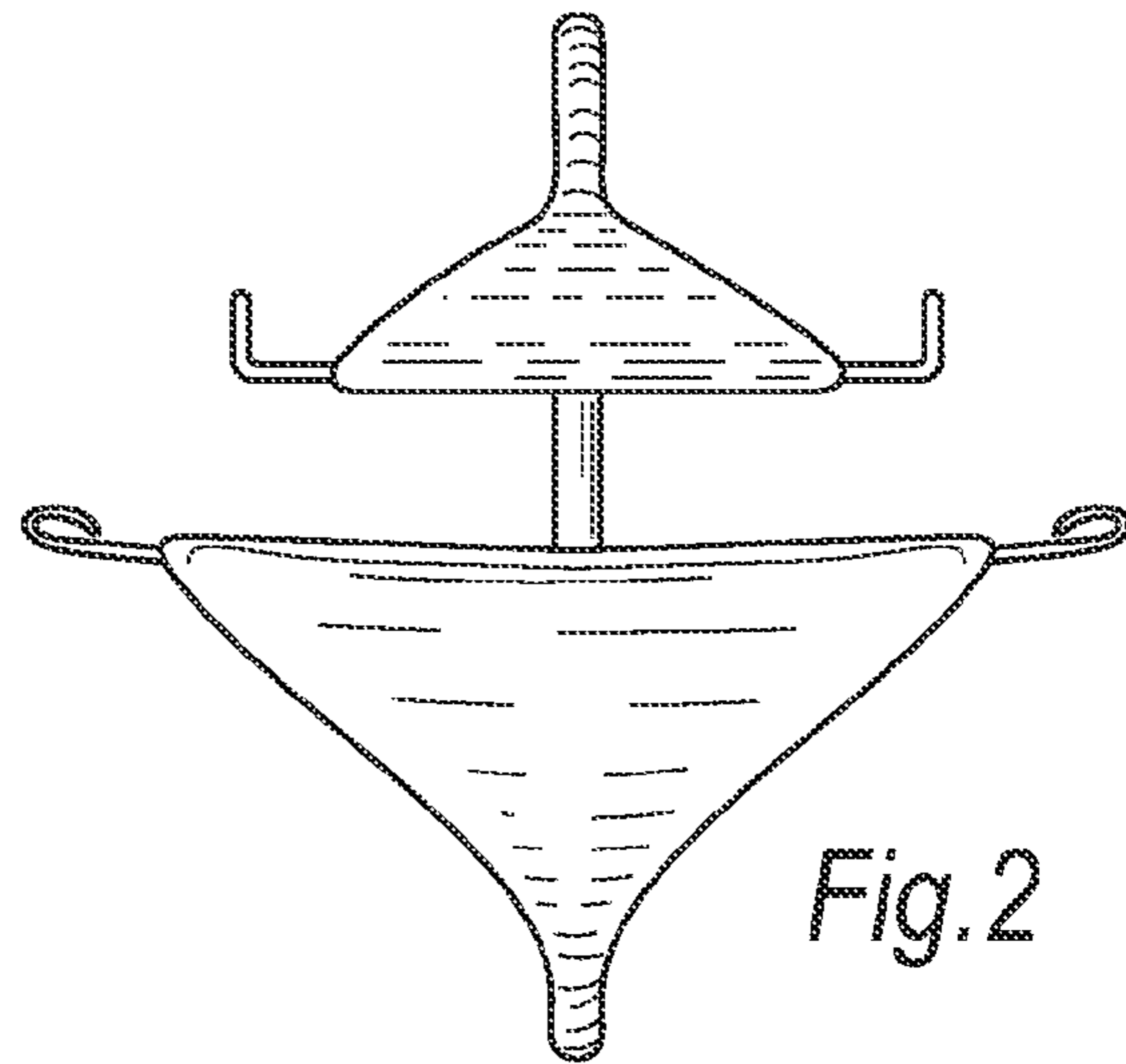


Fig. 2

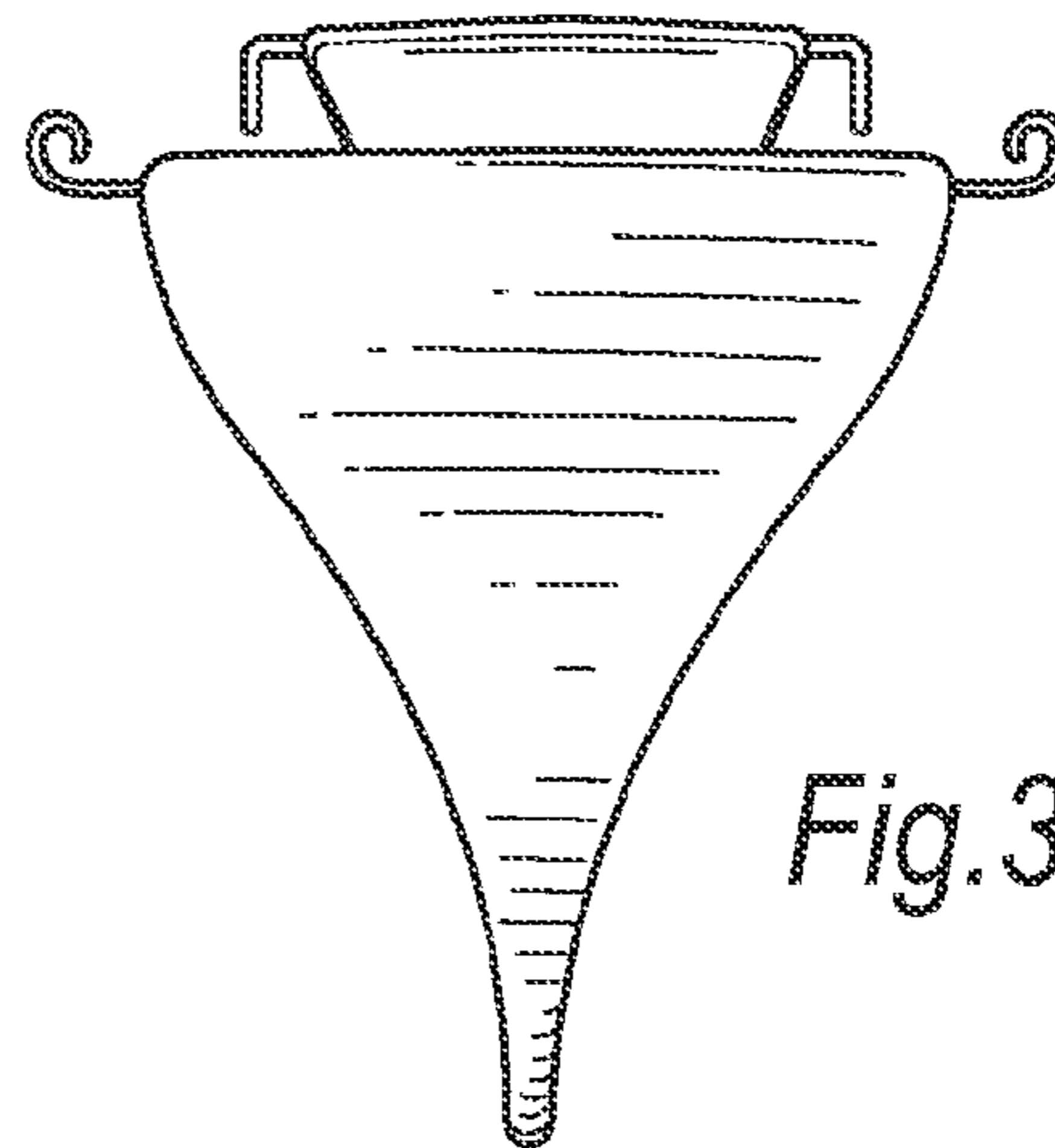


Fig. 3

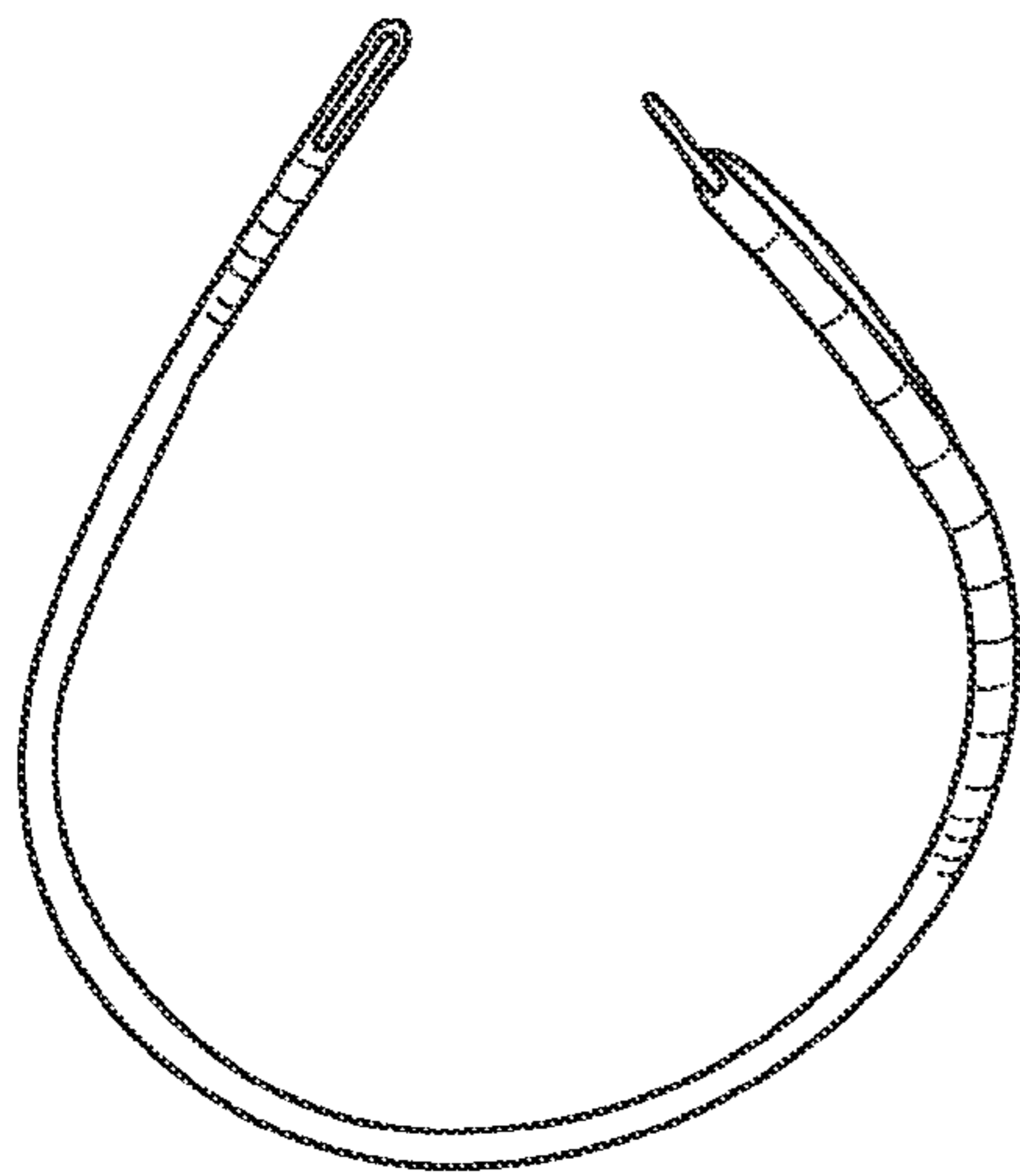


Fig. 5

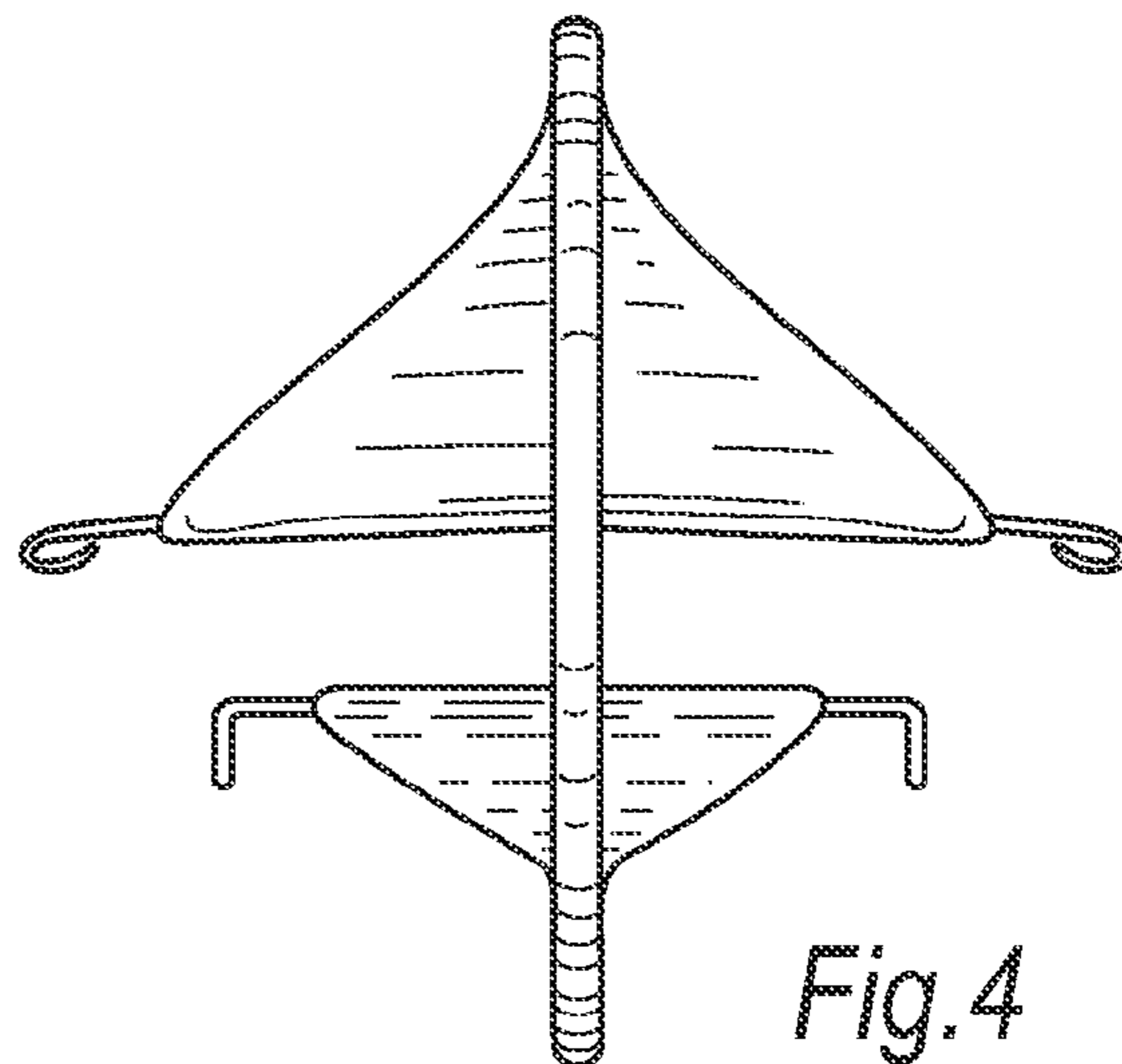


Fig. 4

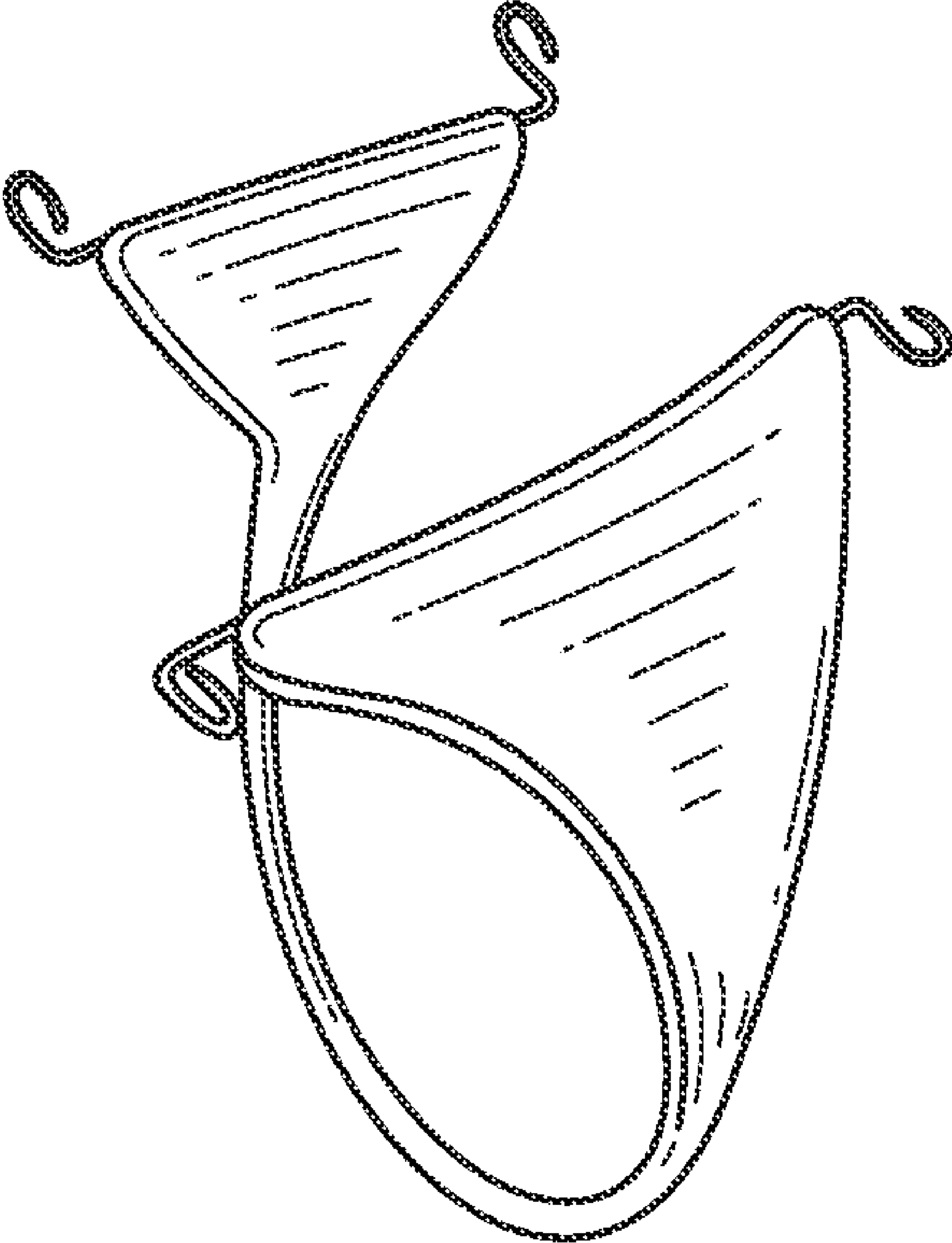


Fig. 6