



US00D606275S

(12) **United States Design Patent**  
**Parker**

(10) **Patent No.:** **US D606,275 S**

(45) **Date of Patent:** **\*\* Dec. 15, 2009**

(54) **CASKET SHELL CORNER**

(75) Inventor: **Daniel J. Parker**, Connerville, IN (US)

(73) Assignee: **Batesville Services, Inc.**, Batesville, IN (US)

(\*\*) Term: **14 Years**

(21) Appl. No.: **29/327,812**

(22) Filed: **Nov. 13, 2008**

**Related U.S. Application Data**

(63) Continuation of application No. 29/325,326, filed on Sep. 29, 2008.

(51) **LOC (9) Cl.** ..... **99-00**

(52) **U.S. Cl.** ..... **D99/13**

(58) **Field of Classification Search** ..... D99/1-24;  
27/1-8, 14, 27, 30; 52/103, 720; 40/124.5;  
256/19, 22, 24, 34, 65, 67, 73, 38, 42; D25/42,  
D25/126, 129

See application file for complete search history.

(56) **References Cited**

**U.S. PATENT DOCUMENTS**

4,357,741	A *	11/1982	Winburn et al.	27/19
5,875,529	A *	3/1999	Ollier	27/6
D418,961	S	1/2000	Biondo et al.	
D433,585	S	11/2000	Bowers et al.	
6,317,945	B1 *	11/2001	Laphan et al.	27/10
6,557,222	B2 *	5/2003	Groemminger et al.	27/10
6,591,466	B1 *	7/2003	Acton et al.	27/10
6,691,385	B2 *	2/2004	Bell et al.	27/10
6,883,212	B2 *	4/2005	Groemminger et al.	27/10

6,928,706	B2 *	8/2005	Acton et al.	27/10
7,200,905	B2	4/2007	Cunningham et al.	
7,210,204	B2 *	5/2007	Groemminger et al.	27/10
7,340,810	B2	3/2008	Acton et al.	
7,343,653	B2 *	3/2008	Cunningham et al.	27/2

\* cited by examiner

*Primary Examiner*—T. Chase Nelson

*Assistant Examiner*—Michael A Pratt

(74) *Attorney, Agent, or Firm*—Wood, Herron & Evans, LLP

(57) **CLAIM**

The ornamental design for a casket shell corner, as shown and described.

**DESCRIPTION**

FIG. 1 is a perspective view of my new, original and ornamental design for a casket shell corner;

FIG. 2 is an enlarged perspective view thereof;

FIG. 3 is a front view thereof;

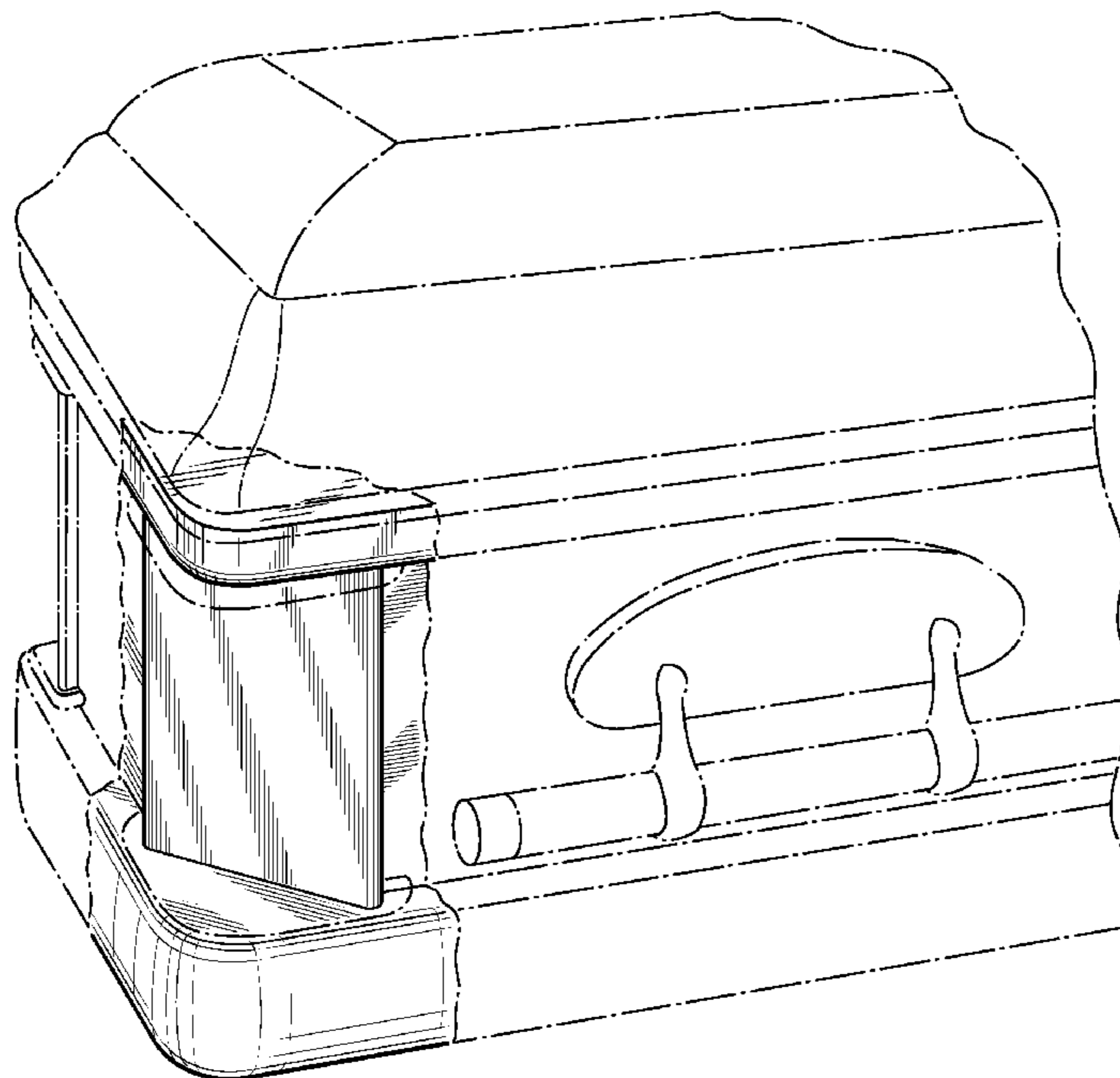
FIG. 4 is a side view thereof, the other side view being a mirror image of FIG. 4;

FIG. 5 is a top view thereof; and,

FIG. 6 is a bottom view thereof.

The broken line showing of the upper and lower flat surface of the casket shell corner shown in FIGS. 1, 2, 5, and 6 and the remainder of the casket is included for the purpose of illustrating environment and forms no part of the claimed design. The broken line adjacent to the shaded portion of the casket shell corner forms an unclaimed boundary of the design. The undisclosed portion of the casket shell corner forms no part of the claimed design.

**1 Claim, 4 Drawing Sheets**



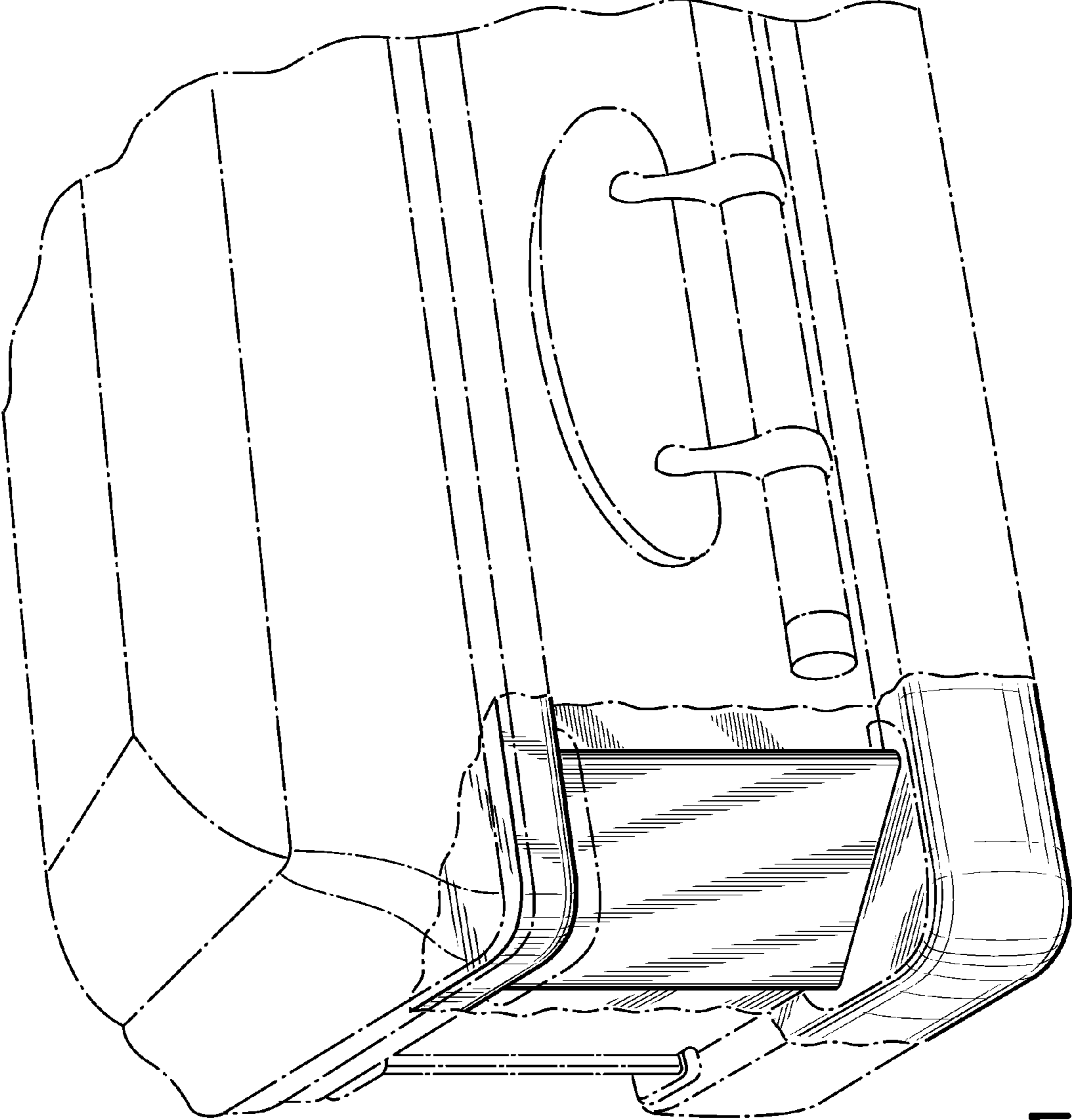


FIG. 1

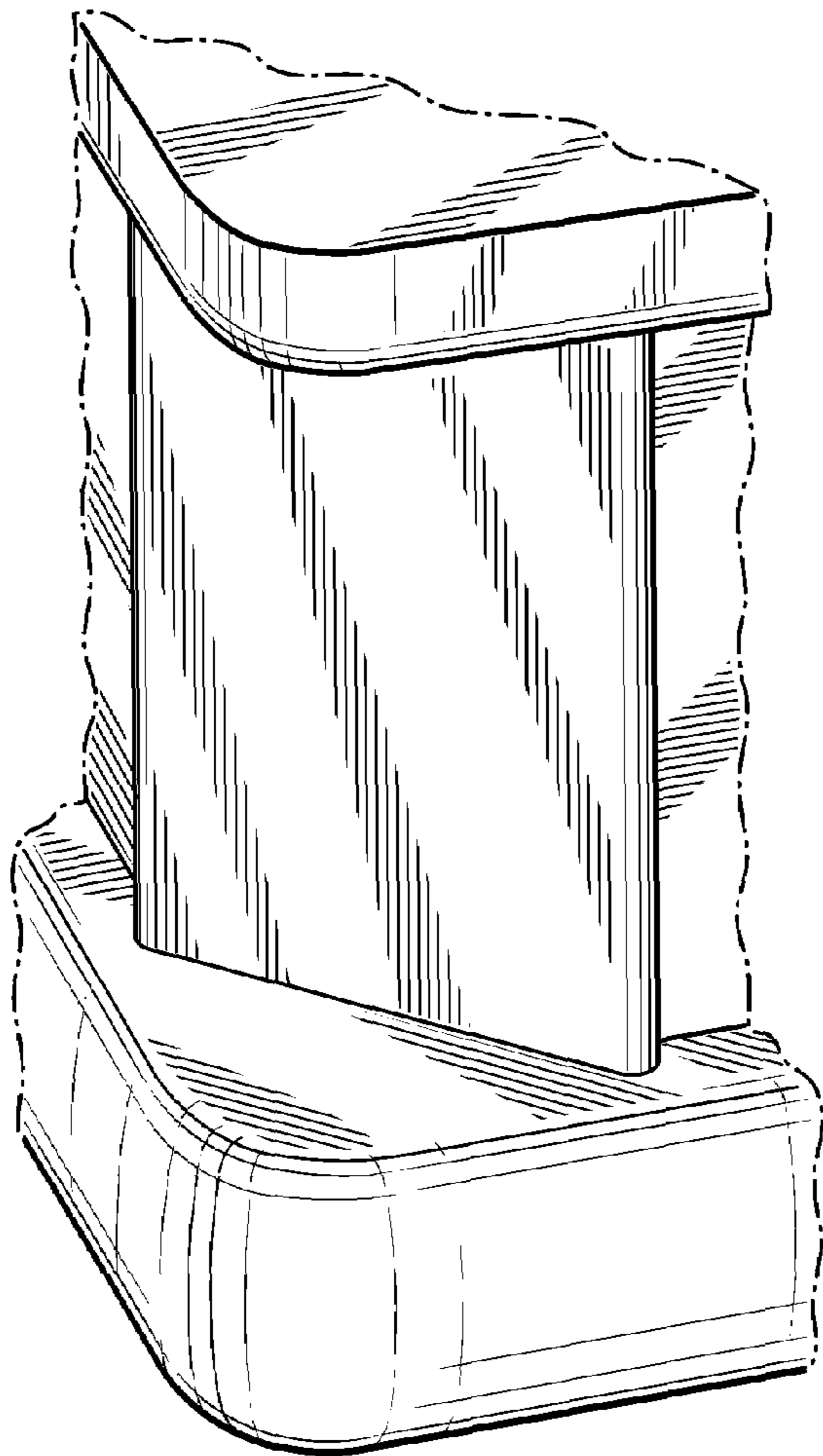


FIG. 2

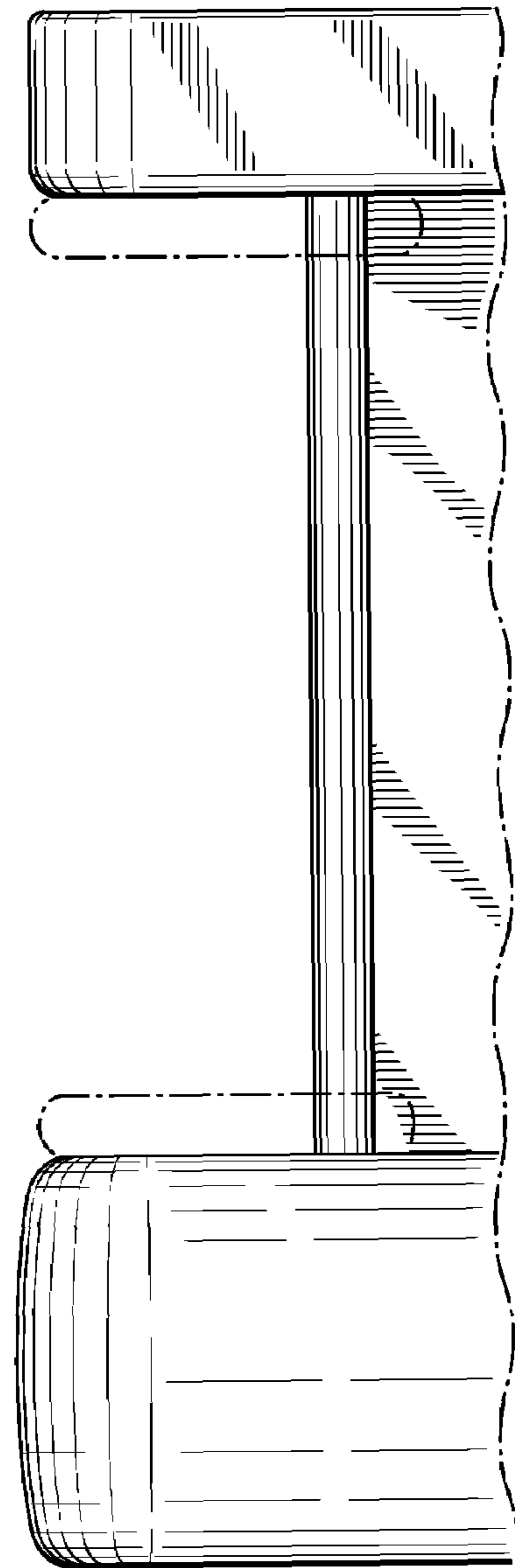


FIG. 4

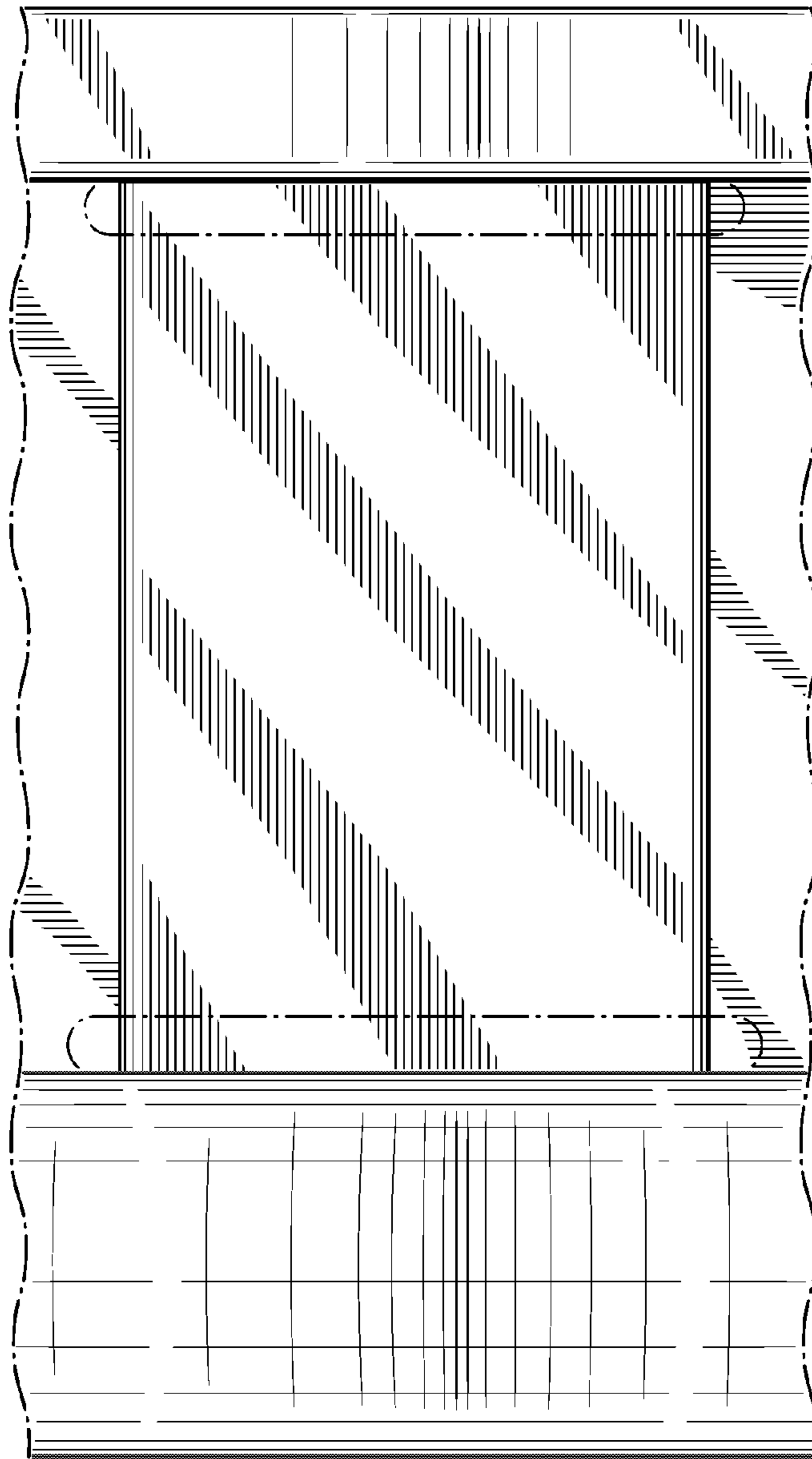


FIG. 3

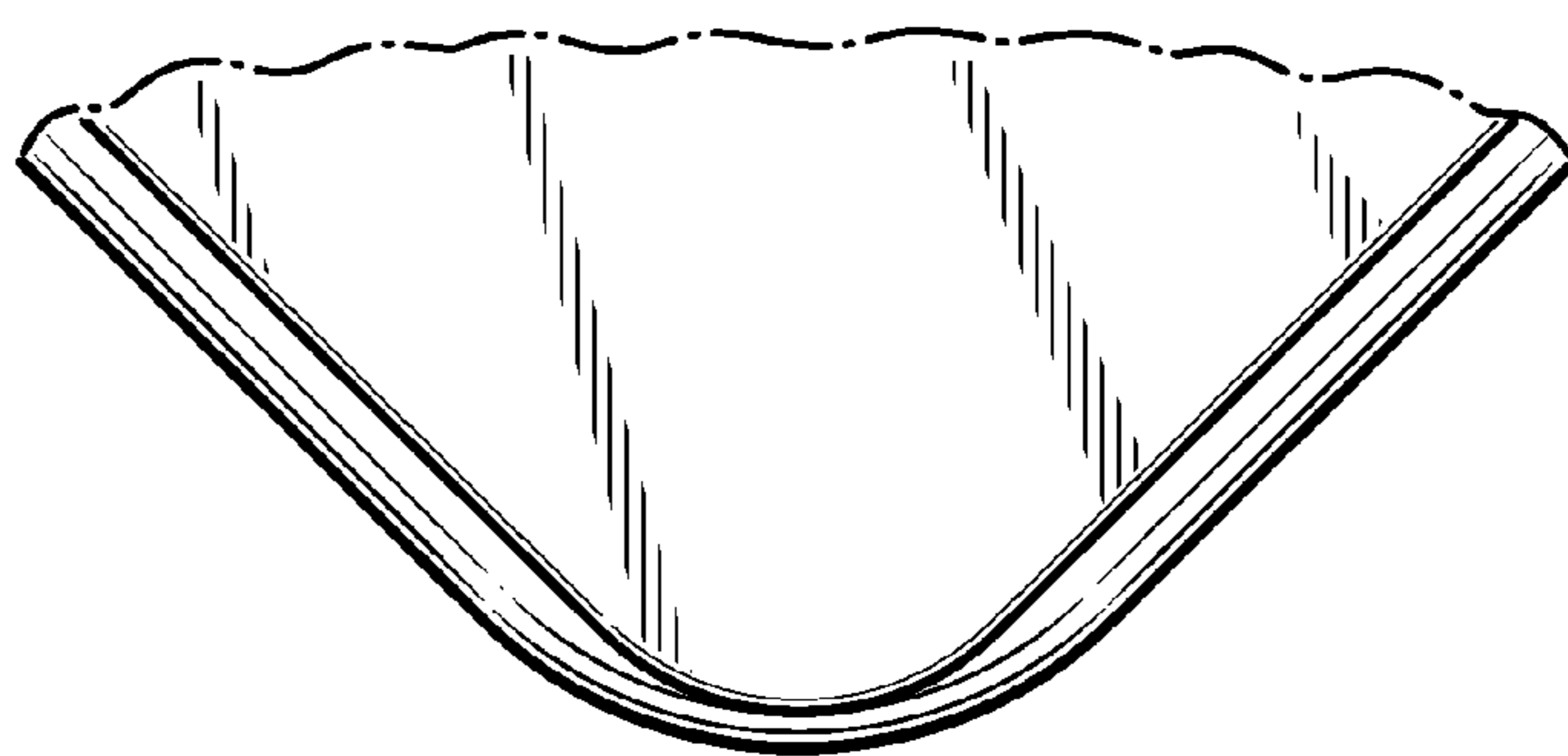


FIG. 5

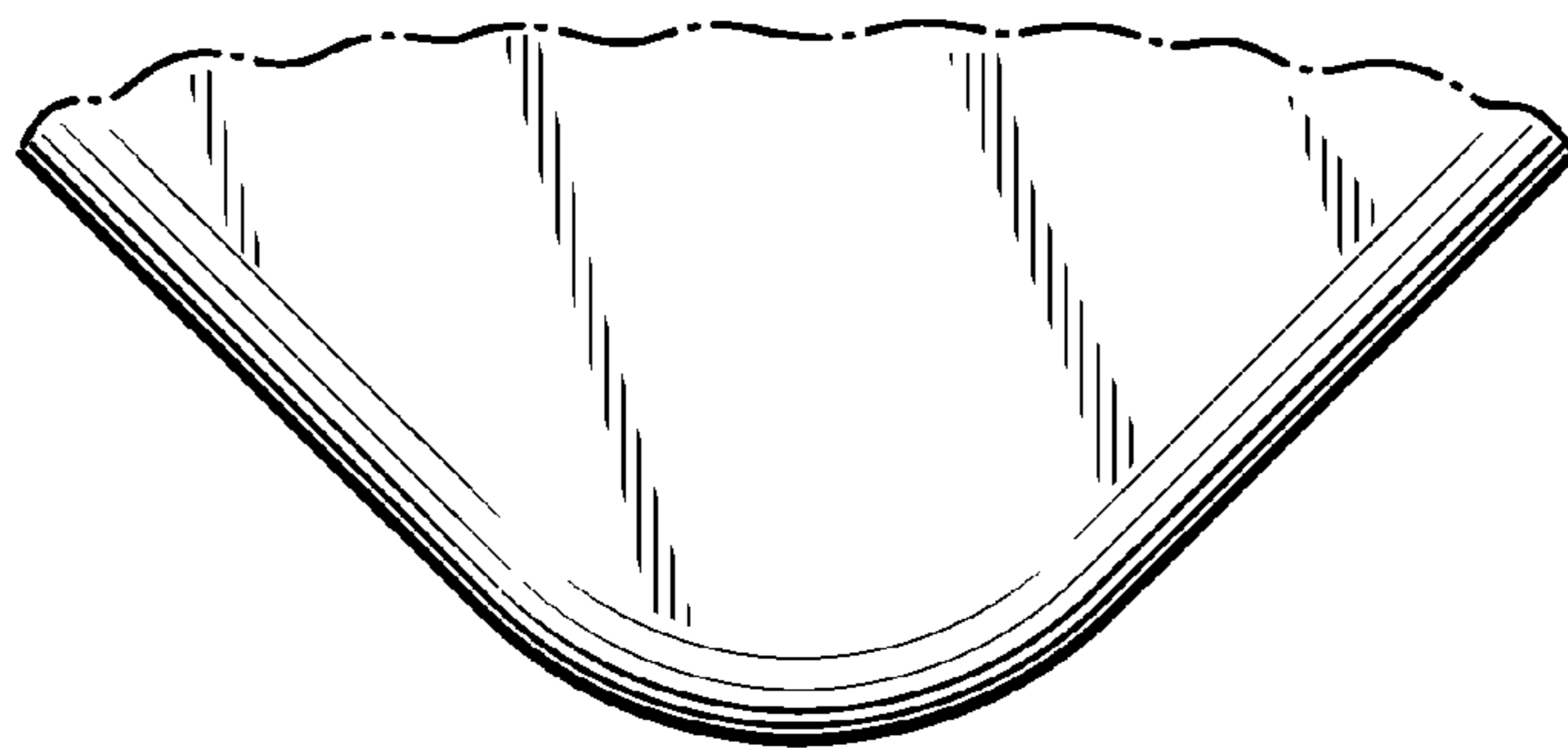


FIG. 6

UNITED STATES PATENT AND TRADEMARK OFFICE  
**CERTIFICATE OF CORRECTION**

PATENT NO. : D606,275 S  
APPLICATION NO. : 29/327812  
DATED : December 15, 2009  
INVENTOR(S) : Daniel J. Parker

Page 1 of 1

It is certified that error appears in the above-identified patent and that said Letters Patent is hereby corrected as shown below:

On the Title Page, Related U.S. Application Data, line 1 reads Item “(63) Continuation of application No. 29/325,326, filed on”; line 1 should read Item -- (63) Continuation-in-part of application No. 29/325,326, filed on --.

Title Page, Description, lines 9-12 read “The broken line showing of the upper and lower flat surface of the casket shell corner shown in FIGS. 1, 2, 5, and 6 and the remainder of the casket is included for the purpose of illustrating environment and forms no part of the claimed design.”; lines 9-12 should read -- The broken line showing of the remainder of the casket is included for the purpose of illustrating environment and forms no part of the claimed design. --.

Signed and Sealed this  
Tenth Day of May, 2011

A handwritten signature in black ink that reads "David J. Kappos". The signature is written in a cursive style with a large initial "D" and "K".

David J. Kappos  
*Director of the United States Patent and Trademark Office*