



US00D606274S

(12) **United States Design Patent**
Stark

(10) **Patent No.:** **US D606,274 S**

(45) **Date of Patent:** **** Dec. 15, 2009**

(54) **FORK LIFT**

(75) Inventor: **Stefan Stark**, Ludwigsburg (DE)

(73) Assignee: **Dr. Ing. h.c. F. Porsche AG**, Weissach (DE)

(**) Term: **14 Years**

(21) Appl. No.: **29/331,130**

(22) Filed: **Jan. 21, 2009**

(30) **Foreign Application Priority Data**

Jul. 17, 2008 (EM) 000972666

(51) **LOC (9) Cl.** **12-05**

(52) **U.S. Cl.** **D34/34**

(58) **Field of Classification Search** D34/34;
414/572, 592, 631; 180/89.12, 89.13, 89.17
See application file for complete search history.

(56) **References Cited**

U.S. PATENT DOCUMENTS

D393,517 S * 4/1998 Kim et al. D34/34

5,904,372 A * 5/1999 Ito et al. 280/834
D551,423 S * 9/2007 Kodama et al. D34/34
D575,923 S * 8/2008 Stark D34/34
D584,873 S * 1/2009 Kuraoka et al. D34/34

* cited by examiner

Primary Examiner—Cynthia E Ramirez

(57) **CLAIM**

The ornamental design for a fork lift, as shown and described.

DESCRIPTION

FIG. 1 is a front and right-side perspective view of the fork lift, showing my new design;

FIG. 2 is a rear and left-side perspective view thereof;

FIG. 3 is a front view thereof;

FIG. 4 is a rear view thereof;

FIG. 5 is a top, plan view thereof;

FIG. 6 is a right-side view thereof; and,

FIG. 7 is a left-side view thereof.

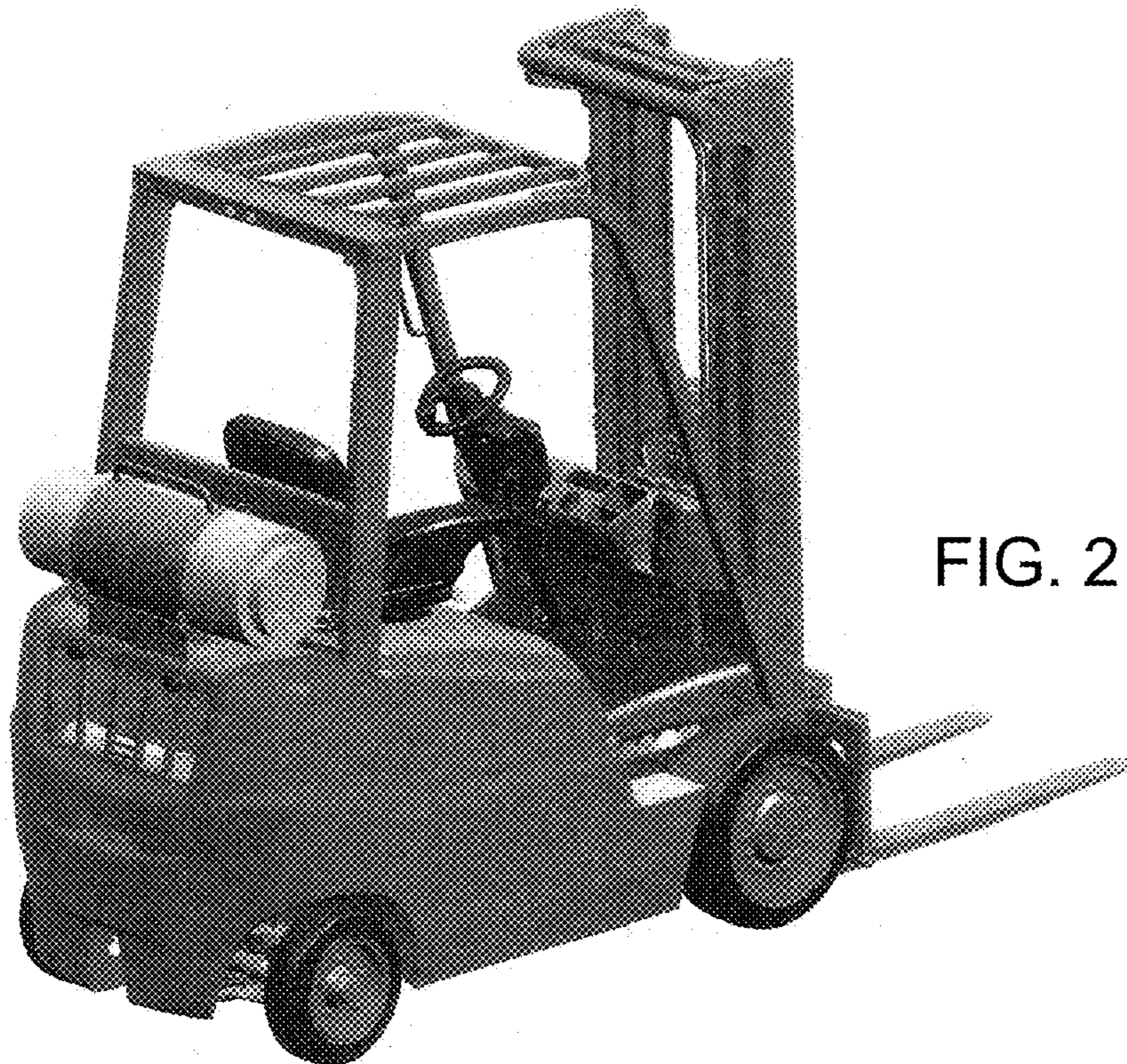
1 Claim, 3 Drawing Sheets



FIG. 1



FIG. 2



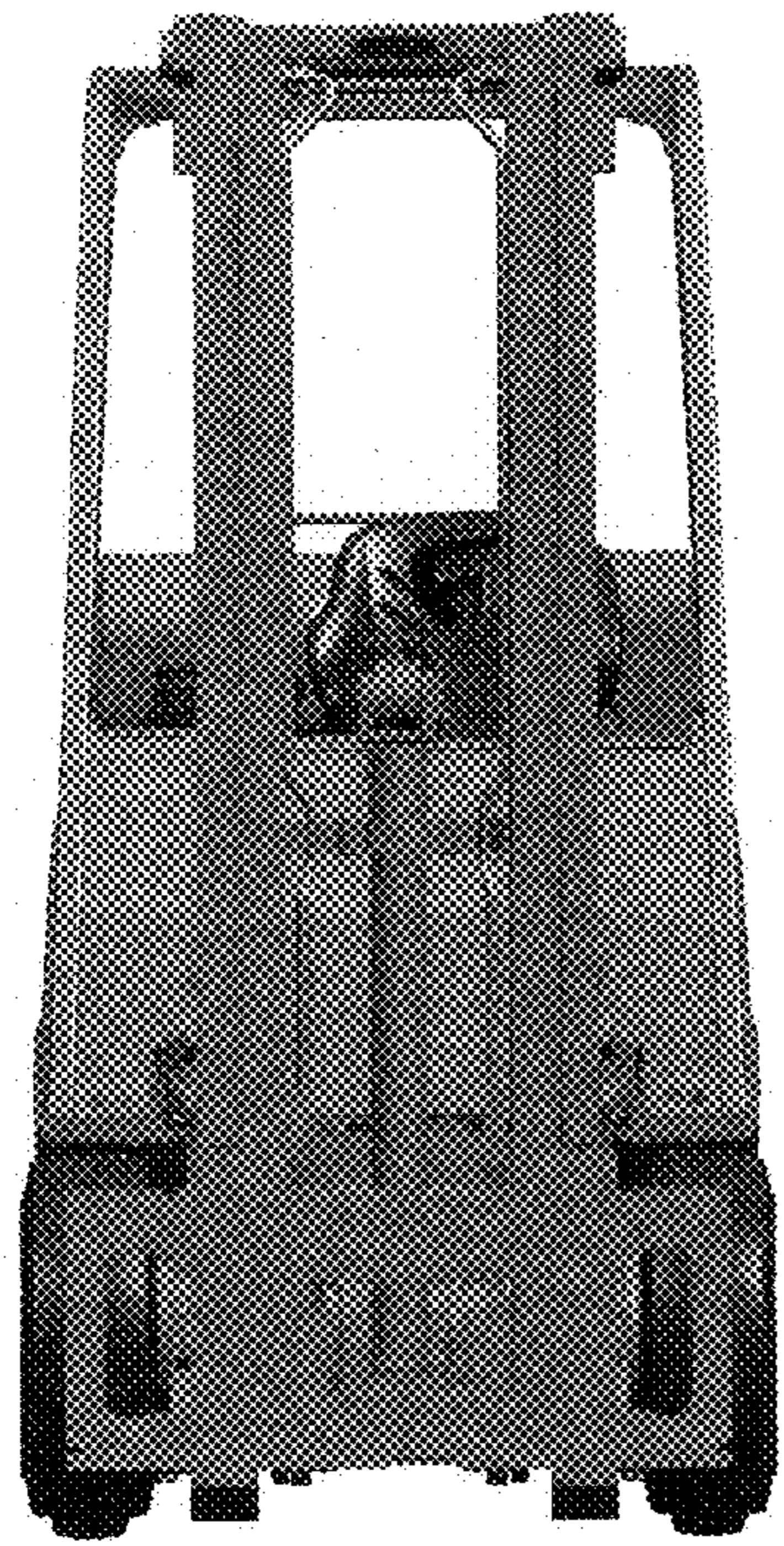


FIG. 3

FIG. 4

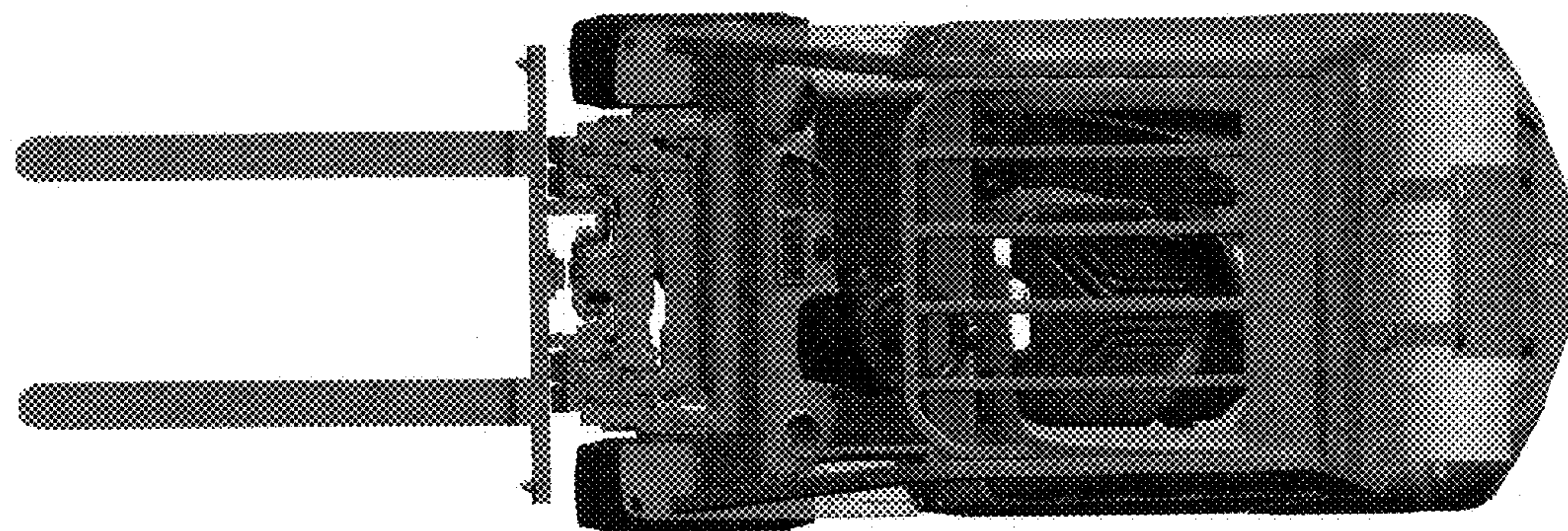
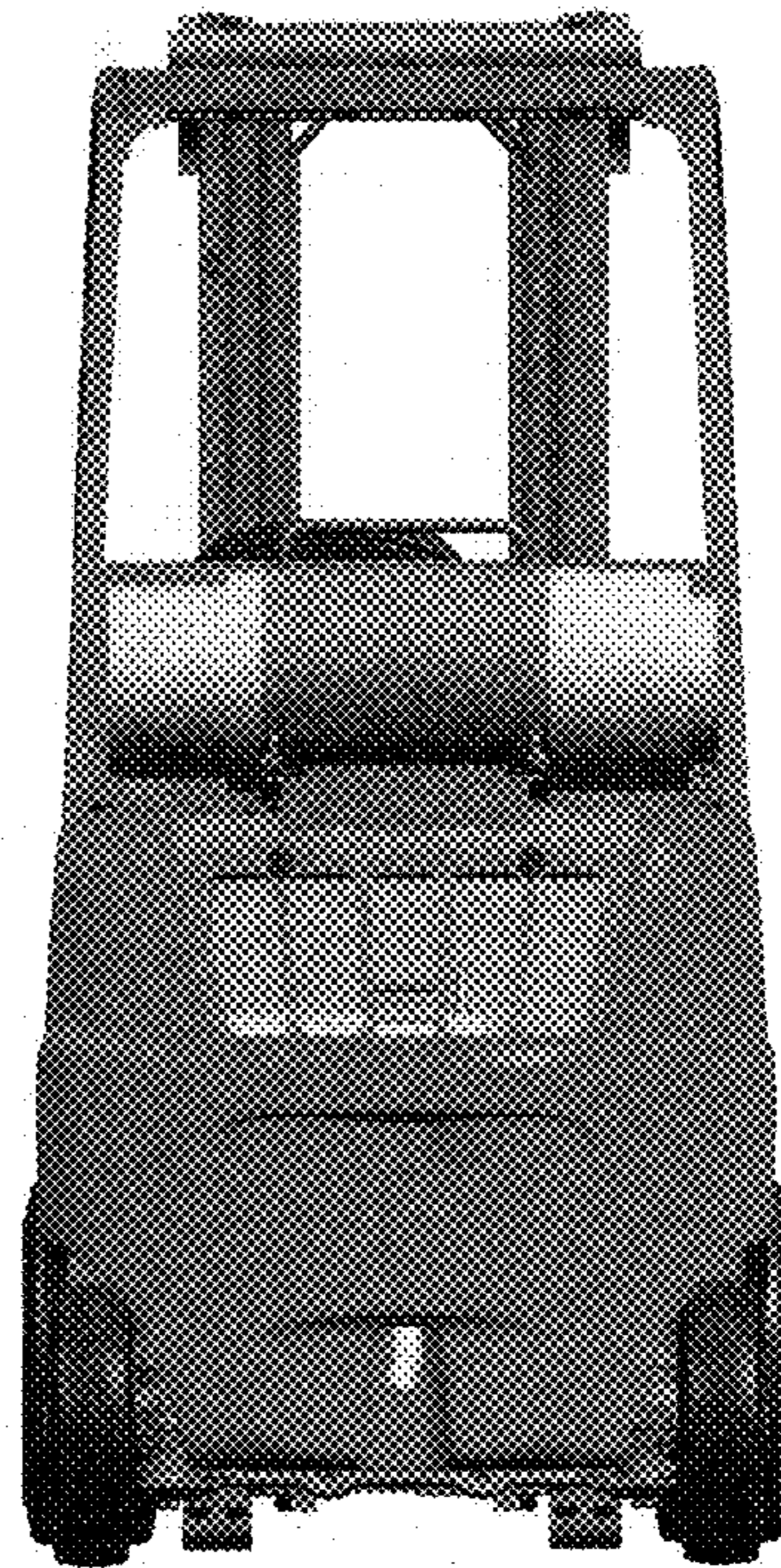


FIG. 5

FIG. 6

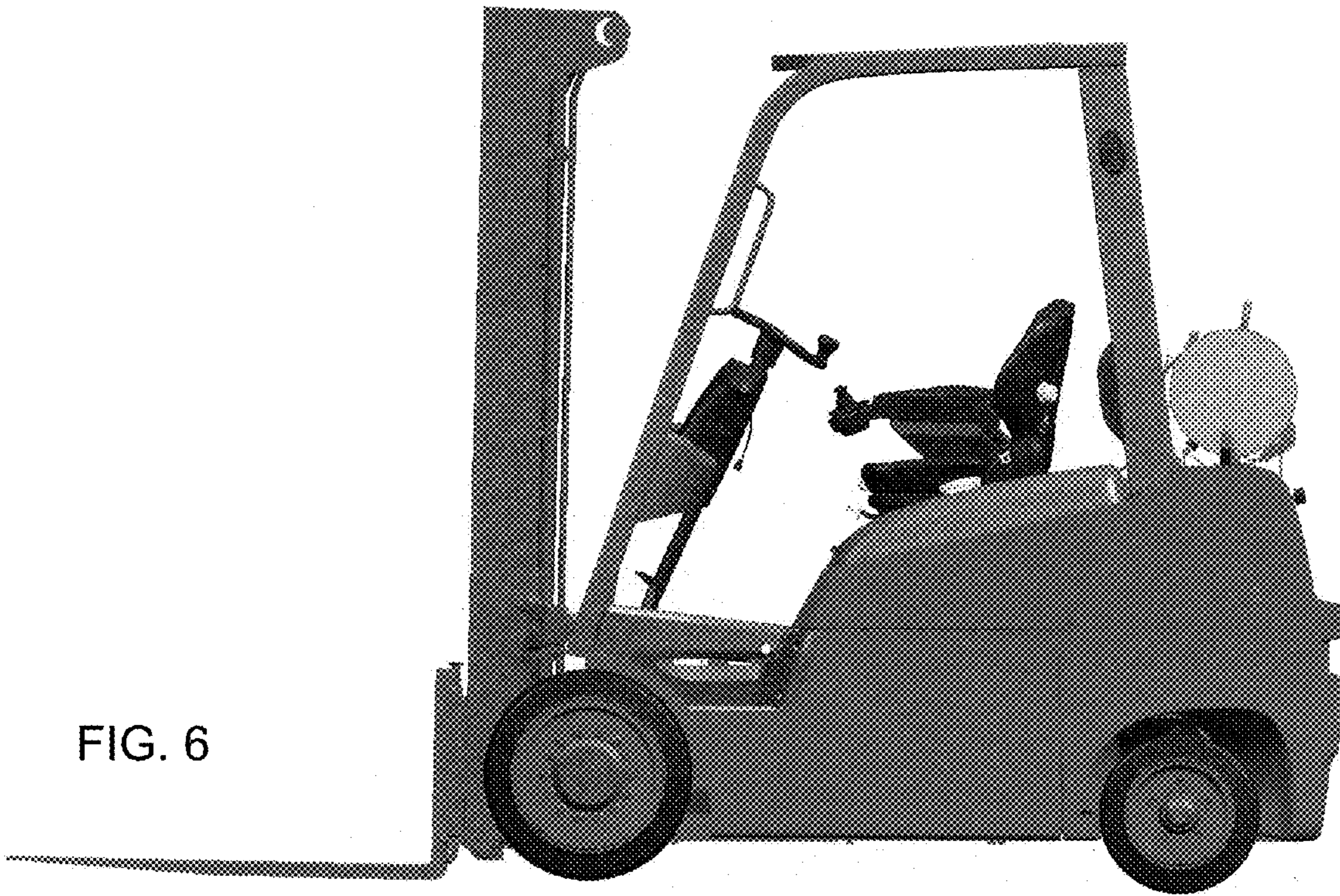


FIG. 7

