



US00D606273S

(12) **United States Design Patent**
Anderson

(10) **Patent No.:** **US D606,273 S**

(45) **Date of Patent:** **** Dec. 15, 2009**

(54) **CART**

(76) **Inventor:** **Janice S. Anderson**, 11835 Carmel Mountain Rd., Suite 1304-151, San Diego, CA (US) 92128

(**) **Term:** **14 Years**

(21) **Appl. No.:** **29/304,735**

(22) **Filed:** **Mar. 6, 2008**

(51) **LOC (9) Cl.** **12-02**

(52) **U.S. Cl.** **D34/18**

(58) **Field of Classification Search** D34/12-27;
280/47.32, 47.19, 47.18, 47.13, 47.17
See application file for complete search history.

(56) **References Cited**

U.S. PATENT DOCUMENTS

2,249,123 A	7/1941	Fleck et al.	
D133,125 S	7/1942	Wadley	
2,389,574 A	11/1945	Hulquist	
2,421,751 A	6/1947	Giordano	
2,597,294 A	5/1952	Connor	
2,755,096 A	7/1956	Fishalow	
2,775,464 A	12/1956	Williamson	
3,048,420 A	8/1962	Umanoff	
D290,825 S *	7/1987	Mathies et al. D12/129
D297,525 S	9/1988	Baechler	
4,781,397 A *	11/1988	Burn 280/655
4,830,385 A	5/1989	Wallick et al.	
D301,850 S	6/1989	Clement et al.	
D337,192 S *	7/1993	Magyar D34/16
D343,812 S	2/1994	Baechler et al.	
D362,419 S	9/1995	Chih	
D370,194 S *	5/1996	Baechler et al. D12/129

5,678,842 A	10/1997	Hook et al.	
5,722,594 A	3/1998	Farr et al.	
D398,431 S *	9/1998	McDonald D34/12
6,003,894 A	12/1999	Maher	
6,155,592 A	12/2000	Hsia	
6,170,854 B1	1/2001	Maher et al.	
6,416,077 B1	7/2002	Chen et al.	
D465,632 S	11/2002	Koppes et al.	
6,575,482 B2	6/2003	Dombroskie et al.	
6,679,506 B2	1/2004	Koppes et al.	
7,077,420 B1	7/2006	Santoski	
7,258,352 B2	8/2007	Odgers	
7,281,731 B2	10/2007	Shamah	
2002/0096861 A1	7/2002	Tsai	

* cited by examiner

Primary Examiner—Cynthia E Ramirez

(74) *Attorney, Agent, or Firm*—Charmasson, Buchaca & Leach, LLP

(57) **CLAIM**

The ornamental design for a cart, as shown and described.

DESCRIPTION

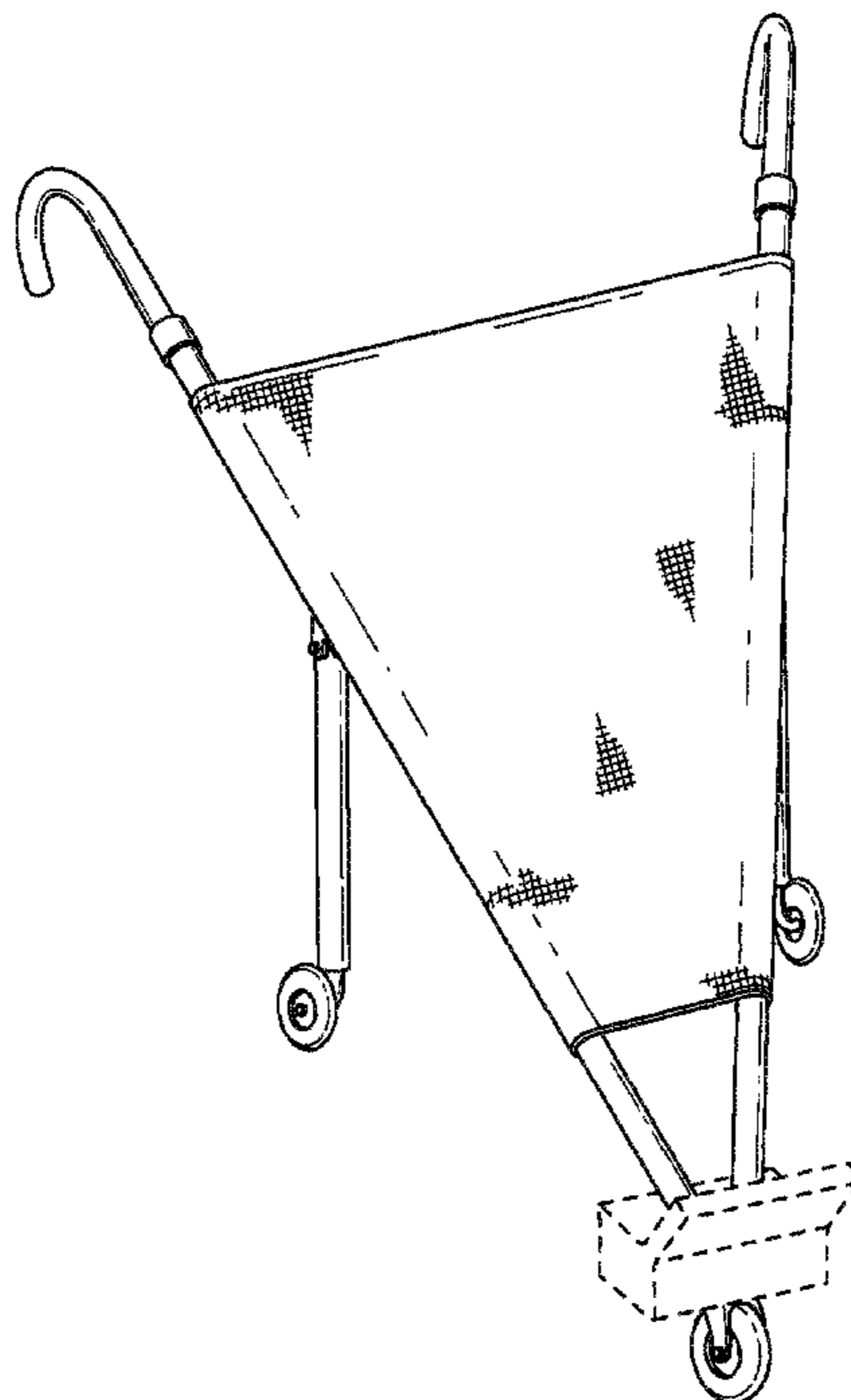
FIG. 1 is a top, front, right side perspective view of a cart showing my new design; and,

FIG. 2 is a bottom, back, left side perspective view thereof.

The cross hatching shading in the figures is fragmentarily shown for convenience of illustration, it is understood that the cross hatching shading is uniformly continued over the surface on which it appears.

Portions of the cart shown in broken lines form no part of the claimed design.

1 Claim, 2 Drawing Sheets



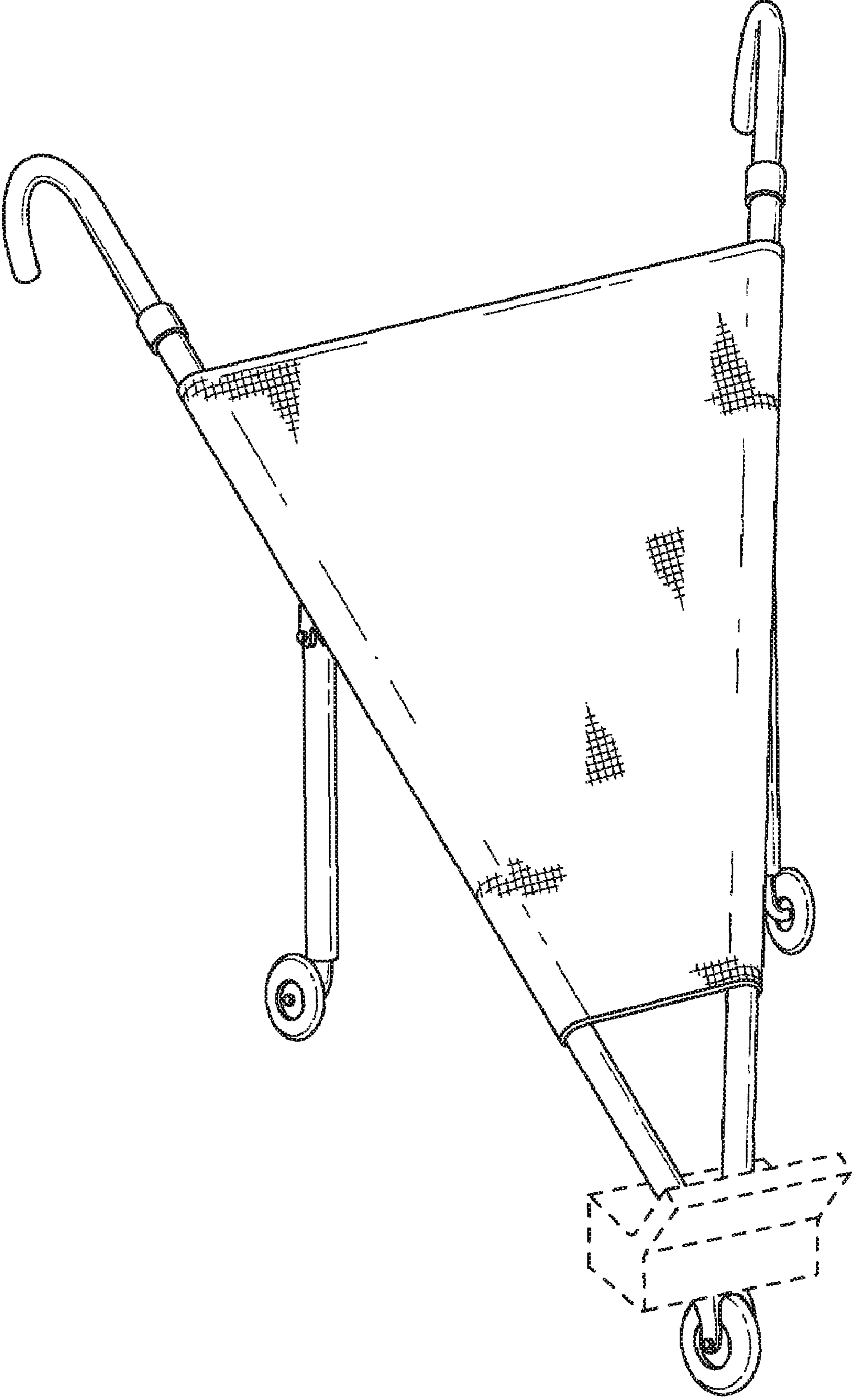


FIG. 1

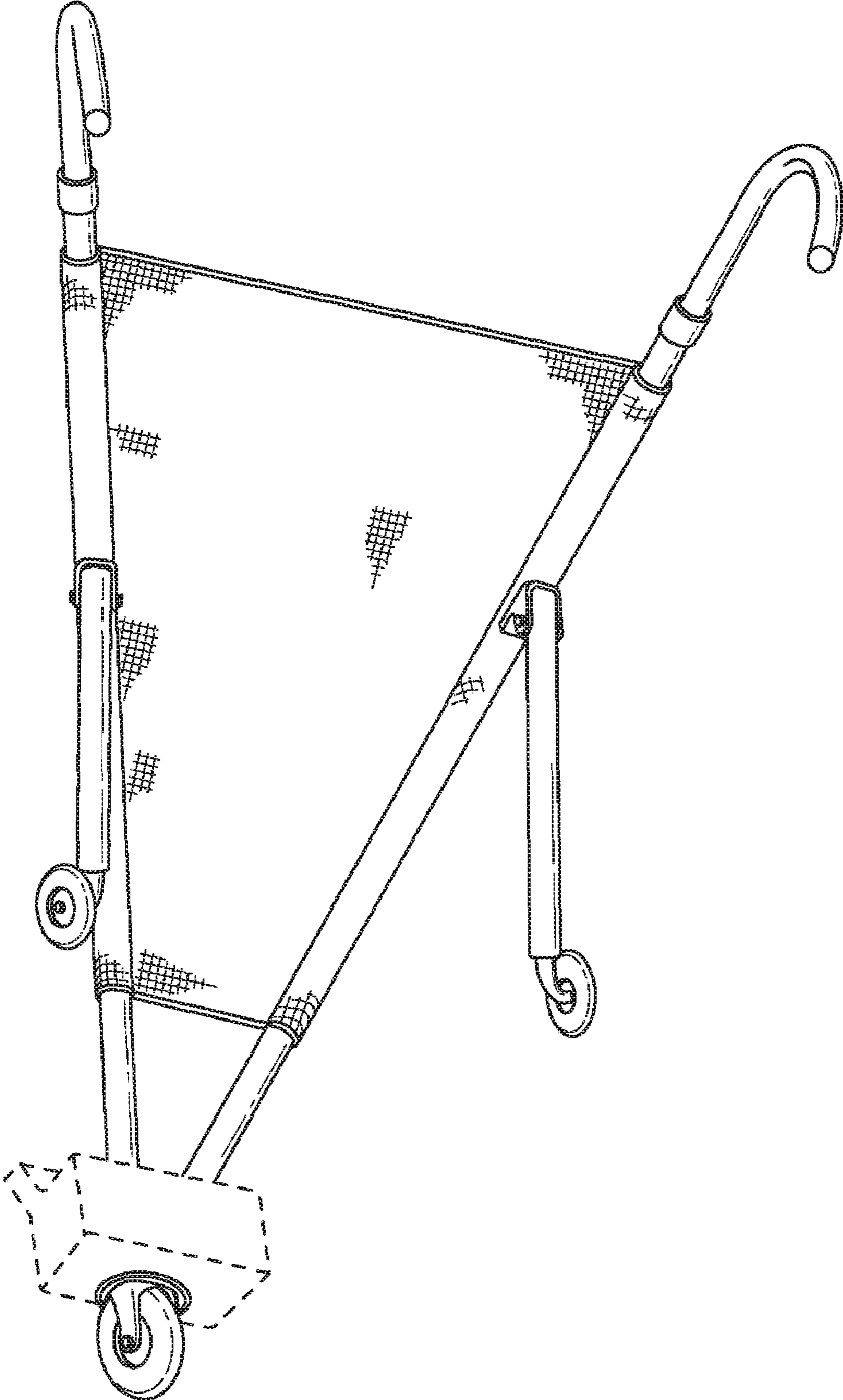


FIG. 2