

US00D606272S

(12) **United States Design Patent**
Cantrell et al.

(10) **Patent No.:** **US D606,272 S**

(45) **Date of Patent:** **** Dec. 15, 2009**

(54) **RECYCLING SYSTEM**

D586,521 S * 2/2009 Pho et al. D34/11
D591,470 S * 4/2009 Tuncel D34/7

(75) Inventors: **John C Cantrell**, Atlanta, GA (US);
David L. Rush, Atlanta, GA (US)

* cited by examiner

(73) Assignee: **Hok**, Culver City, CA (US)

Primary Examiner—Cynthia E Ramirez

(**) Term: **14 Years**

(74) *Attorney, Agent, or Firm*—Bryan W. Bockhop; Bockhop & Associates, LLC

(21) Appl. No.: **29/336,117**

(57) **CLAIM**

(22) Filed: **Apr. 29, 2009**

The ornamental design for a recycling system, as shown and described.

(51) **LOC (9) Cl.** **09-09**

(52) **U.S. Cl.** **D34/5; D34/1**

(58) **Field of Classification Search** D34/1,
D34/4, 5, 6, 7, 8, 9, 10, 11; 220/908, 908.1,
220/911, 200

DESCRIPTION

See application file for complete search history.

FIG. 1 is a bird's-eye isometric view showing the front, top, and side of my new ornamental design for a recycling system; FIG. 2 is a front elevational view of the recycling system shown in FIG. 1;

(56) **References Cited**

FIG. 3 is a rear elevational view of the recycling system shown in FIG. 1;

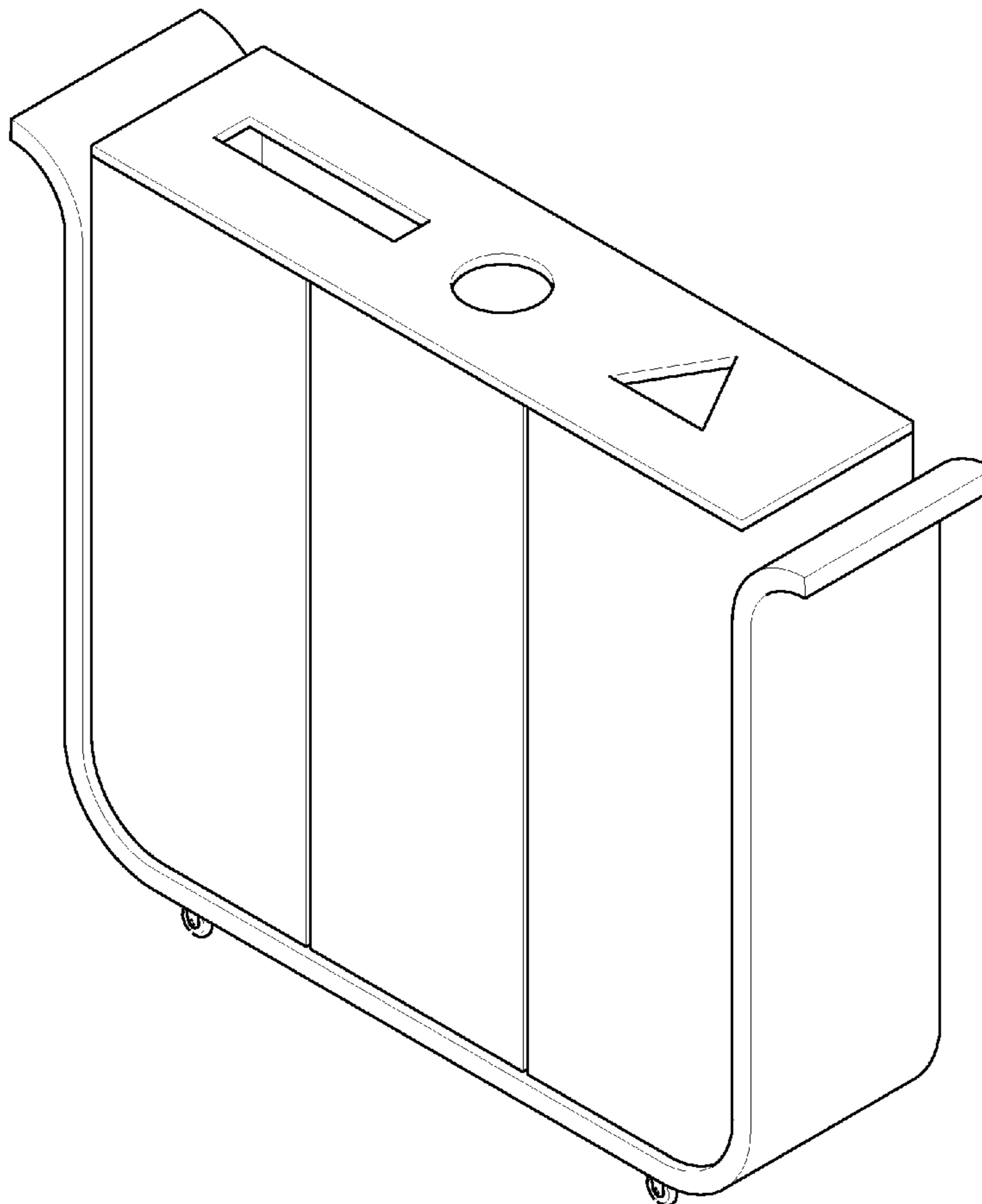
U.S. PATENT DOCUMENTS

FIG. 4 is a top plan view of the recycling system shown in FIG. 1; and,

D292,037 S *	9/1987	Hanifl	D34/7
4,697,771 A *	10/1987	Majors	248/97
4,927,076 A *	5/1990	Simpson	229/132
5,165,563 A *	11/1992	McKendry	220/254.8
5,201,417 A *	4/1993	Outlaw, III	206/366
5,273,161 A *	12/1993	Sagstetter	206/366

FIG. 5 is a side elevational view of the recycling system shown in FIG. 1, the opposite side of which is a mirror image.

1 Claim, 4 Drawing Sheets



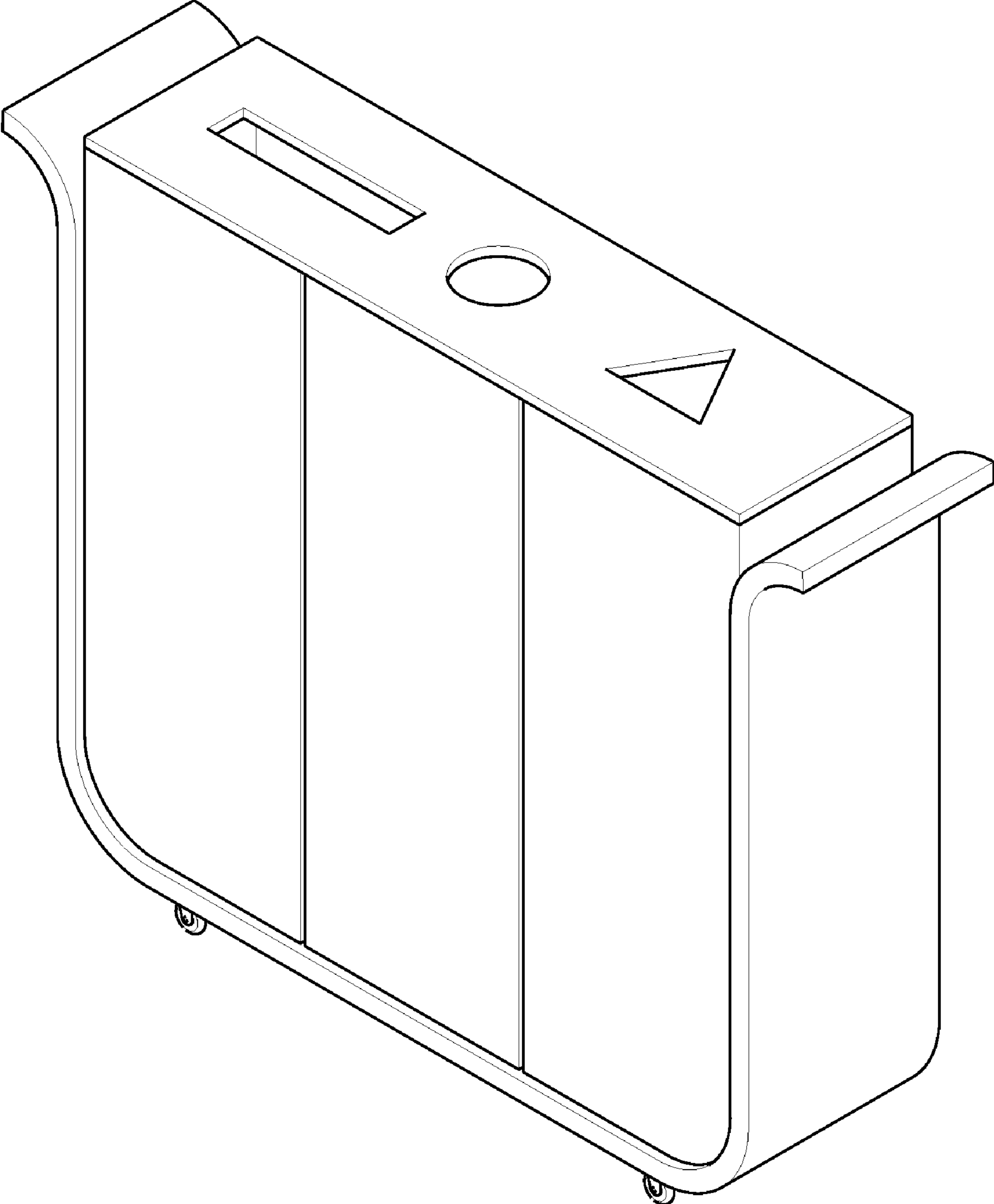


FIG. 1

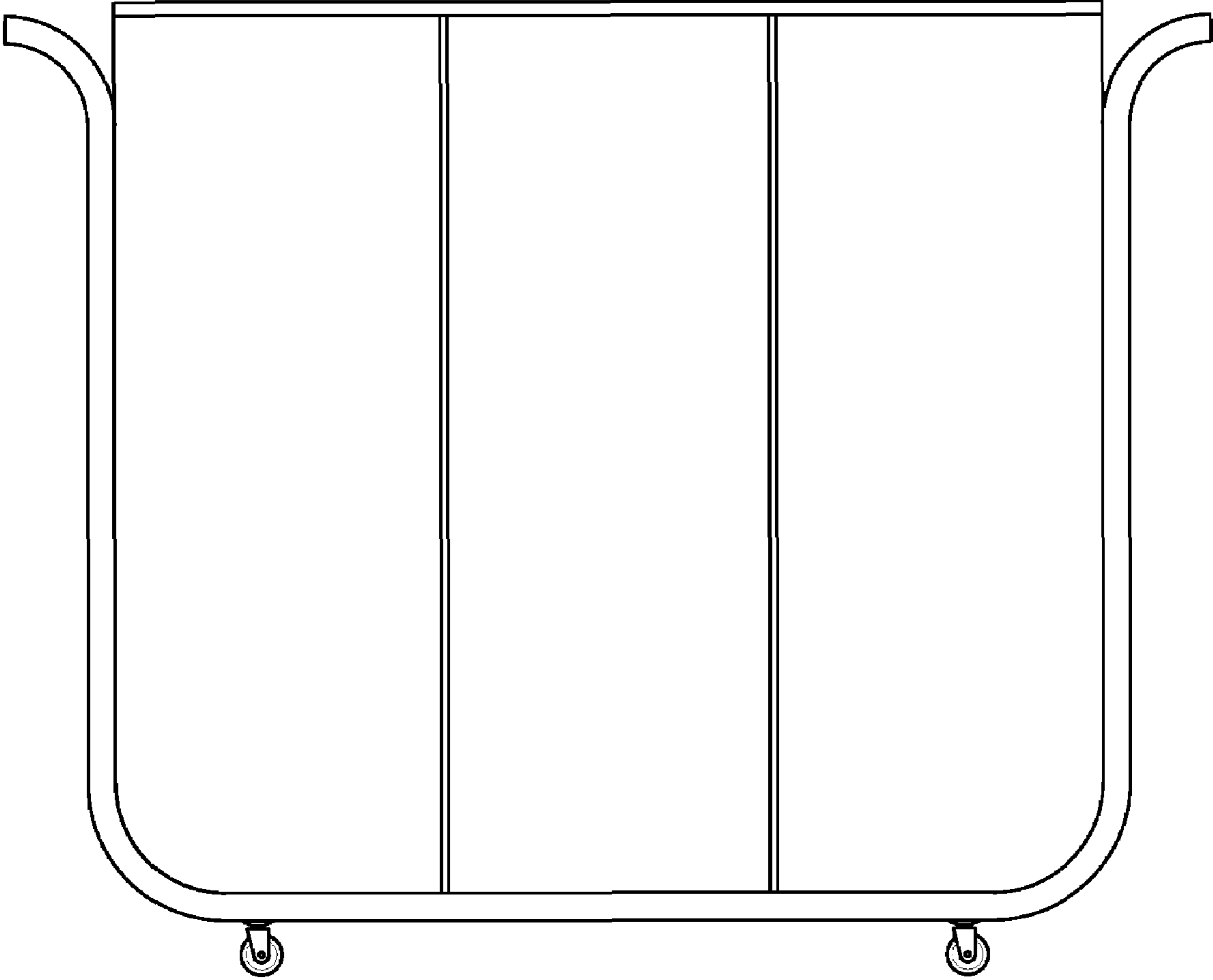


FIG. 2

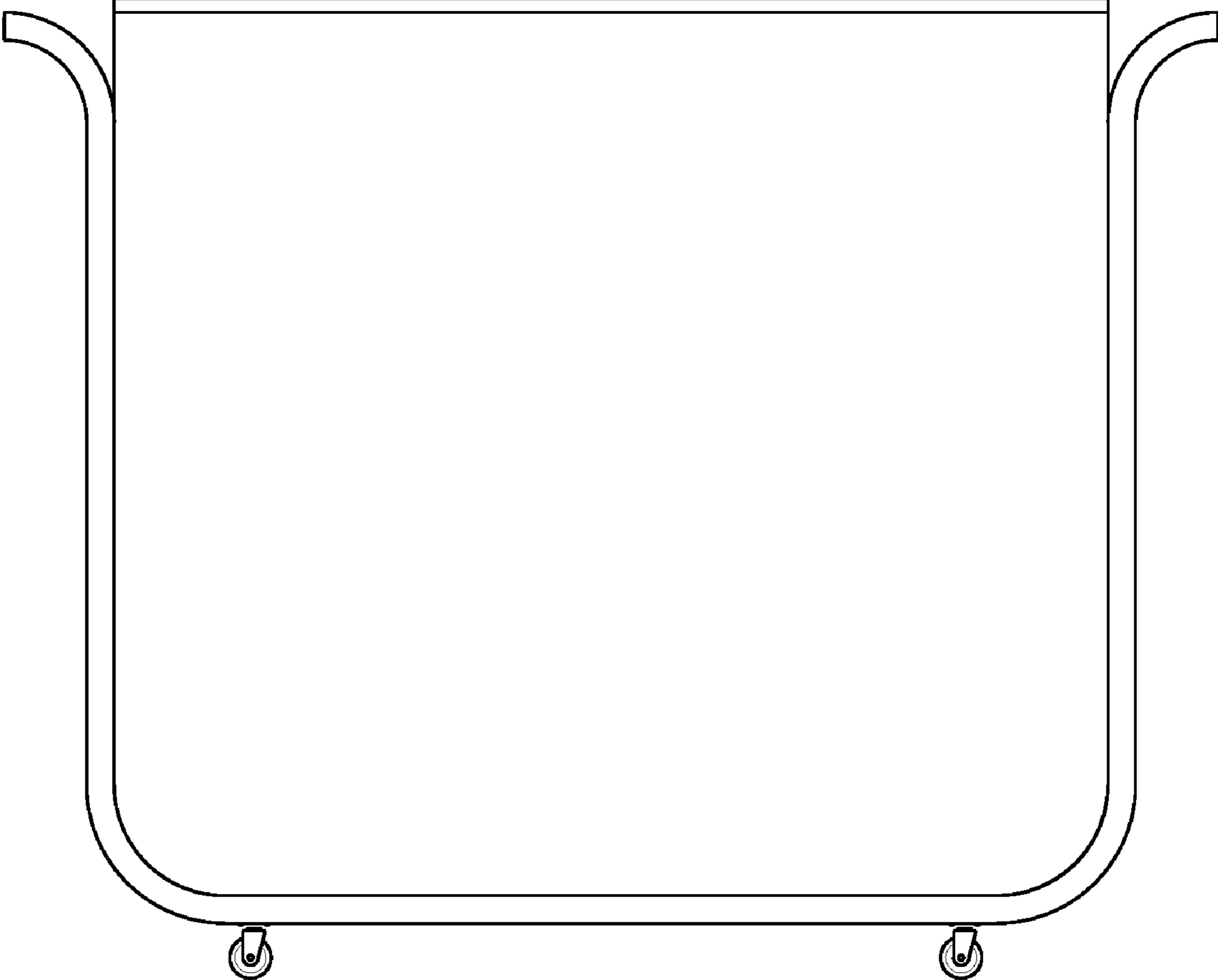


FIG. 3

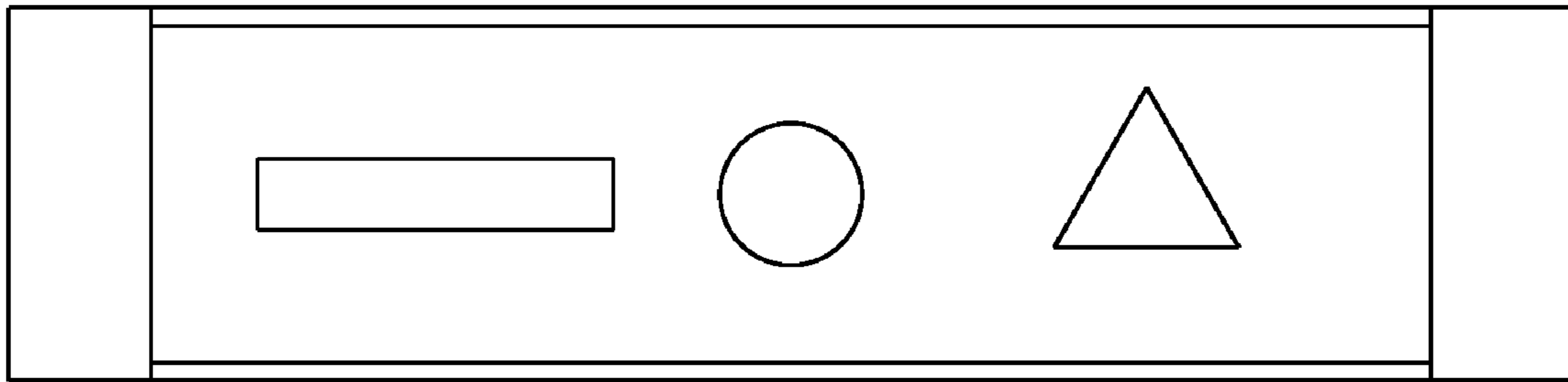


FIG. 4

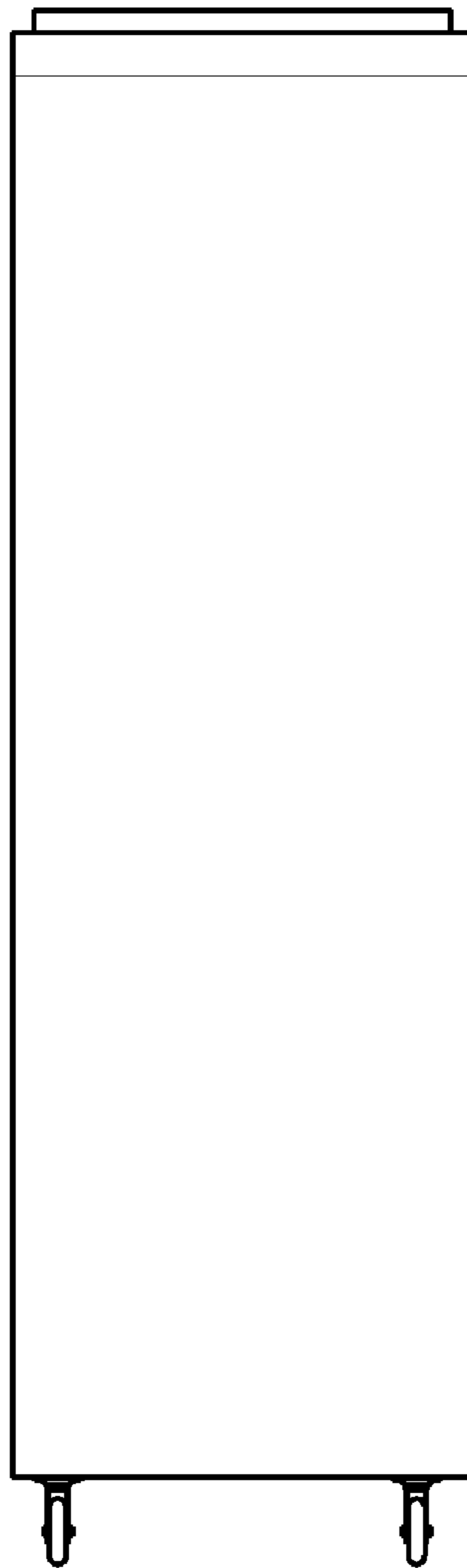


FIG. 5