



US00D606270S

(12) **United States Design Patent**
Weis et al.

(10) **Patent No.:** **US D606,270 S**
(45) **Date of Patent:** **** Dec. 15, 2009**

(54) **MOP HOUSING**

(75) Inventors: **Norbert Weis**, Naperville, IL (US); **Paul Lesley**, Blue Island, IL (US); **Robert Giacolo**, Naperville, IL (US)

(73) Assignee: **Freudenberg Household Products LP**, Northlake, IL (US)

(**) Term: **14 Years**

(21) Appl. No.: **29/339,645**

(22) Filed: **Jul. 3, 2009**

Related U.S. Application Data

(62) Division of application No. 29/296,667, filed on Oct. 25, 2007.

(51) **LOC (9) Cl.** **04-01**

(52) **U.S. Cl.** **D32/50**

(58) **Field of Classification Search** D32/50, D32/40, 51-52, 49; 15/115, 119.2, 116.2, 15/118, 229.3, 229.6-229.8, 228, 220.1; 428/198; 451/515, 190, 209.1, 288, 231
See application file for complete search history.

(56) **References Cited**

U.S. PATENT DOCUMENTS

2,762,070	A *	9/1956	Tingley	15/119.2
D202,767	S *	11/1965	Cowen	D32/50
4,044,419	A *	8/1977	Robinson	15/119.2
D294,415	S *	2/1988	Jones	D32/44
D295,912	S	5/1988	Jones et al.		
D302,759	S	8/1989	Batchelor		
D353,919	S	12/1994	Sajko		
D389,626	S	1/1998	Lundy		
D403,820	S *	1/1999	Chang	D32/50
D404,862	S *	1/1999	Johnson	D32/50
D493,928	S	8/2004	Chemtob		

D530,049	S	10/2006	Berti		
D531,367	S	10/2006	Hay		
D544,161	S	6/2007	Weaver		
D545,019	S *	6/2007	Harper et al.	D32/50
7,260,864	B1 *	8/2007	Morad	15/116.2
7,334,285	B1 *	2/2008	Morad et al.	15/116.2
D579,165	S	10/2008	Handy et al.		
D582,619	S	12/2008	Kong		
7,555,803	B2 *	7/2009	Libman	15/119.2
2009/0113651	A1 *	5/2009	Giacolo et al.	15/176.2

* cited by examiner

Primary Examiner—Cathron C Brooks

Assistant Examiner—Austin Murphy

(74) *Attorney, Agent, or Firm*—Leydig, Voit & Mayer, Ltd.

(57) **CLAIM**

The ornamental design for a mop housing, as shown and described.

DESCRIPTION

FIG. 1 is a top, front perspective view of a mop housing showing my new design;

FIG. 2 is a top, rear perspective view of the mop housing of FIG. 1;

FIG. 3 is a front elevational view of the mop housing of FIG. 1;

FIG. 4 is a side elevational view of the mop housing of FIG. 1, with the other side view thereof being a mirror image of the view of FIG. 4;

FIG. 5 is a top plan view of the mop housing of FIG. 1;

FIG. 6 is a rear elevational view of the mop housing of FIG. 1; and,

FIG. 7 is a bottom view of the mop housing of FIG. 1.

The broken lines are for illustration purposes only and form no part of the claimed design.

1 Claim, 7 Drawing Sheets

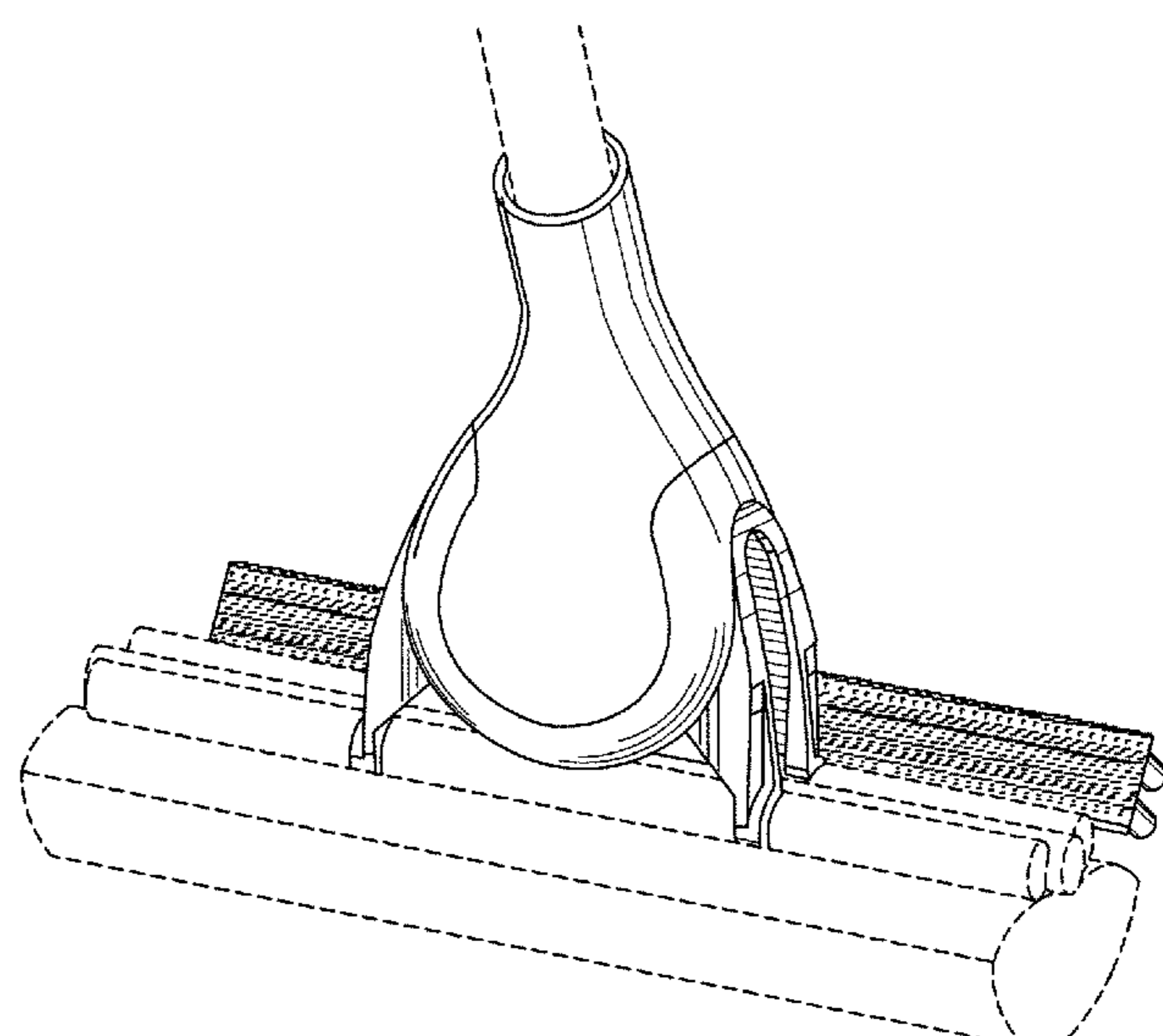
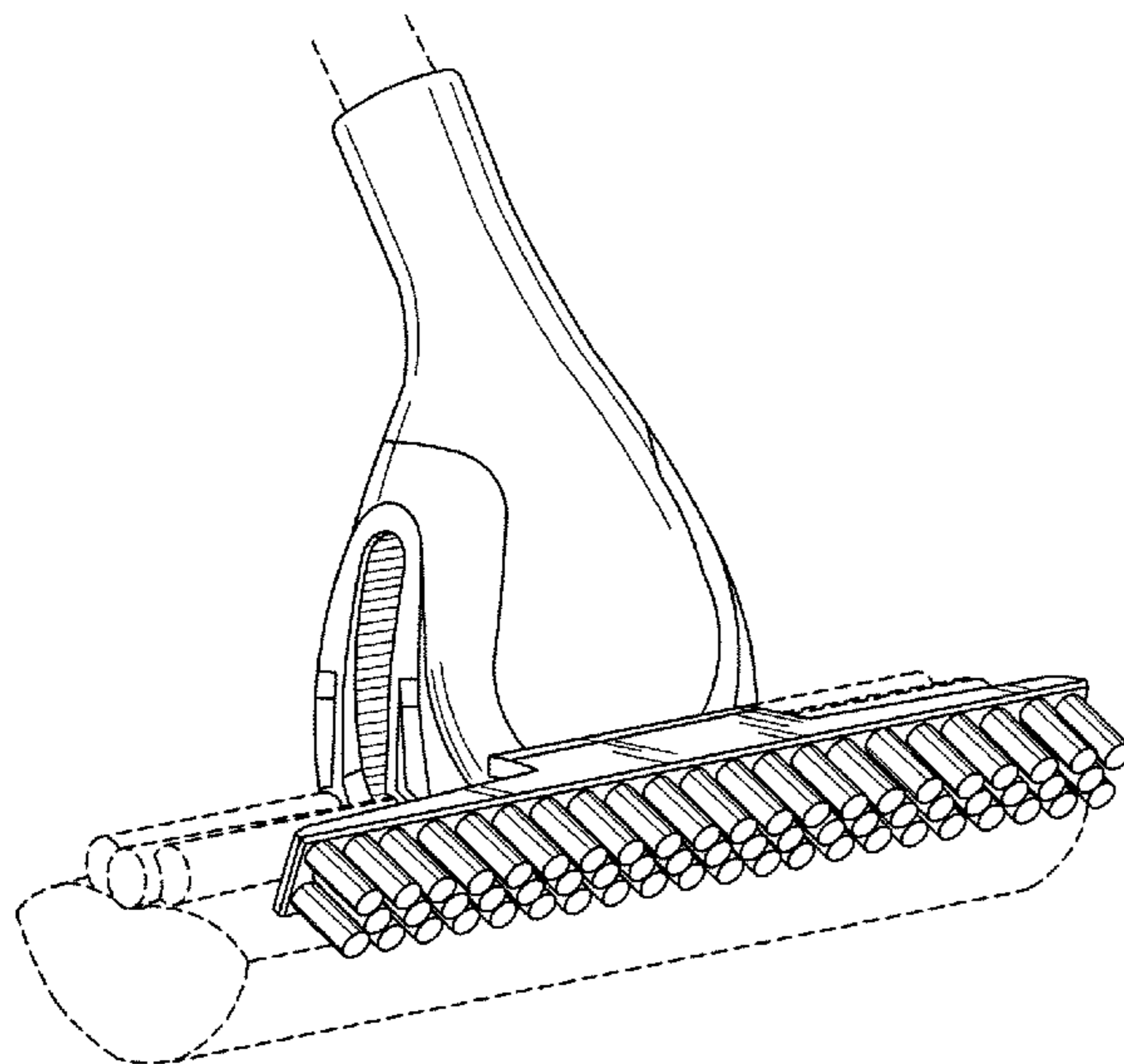


FIG. 1

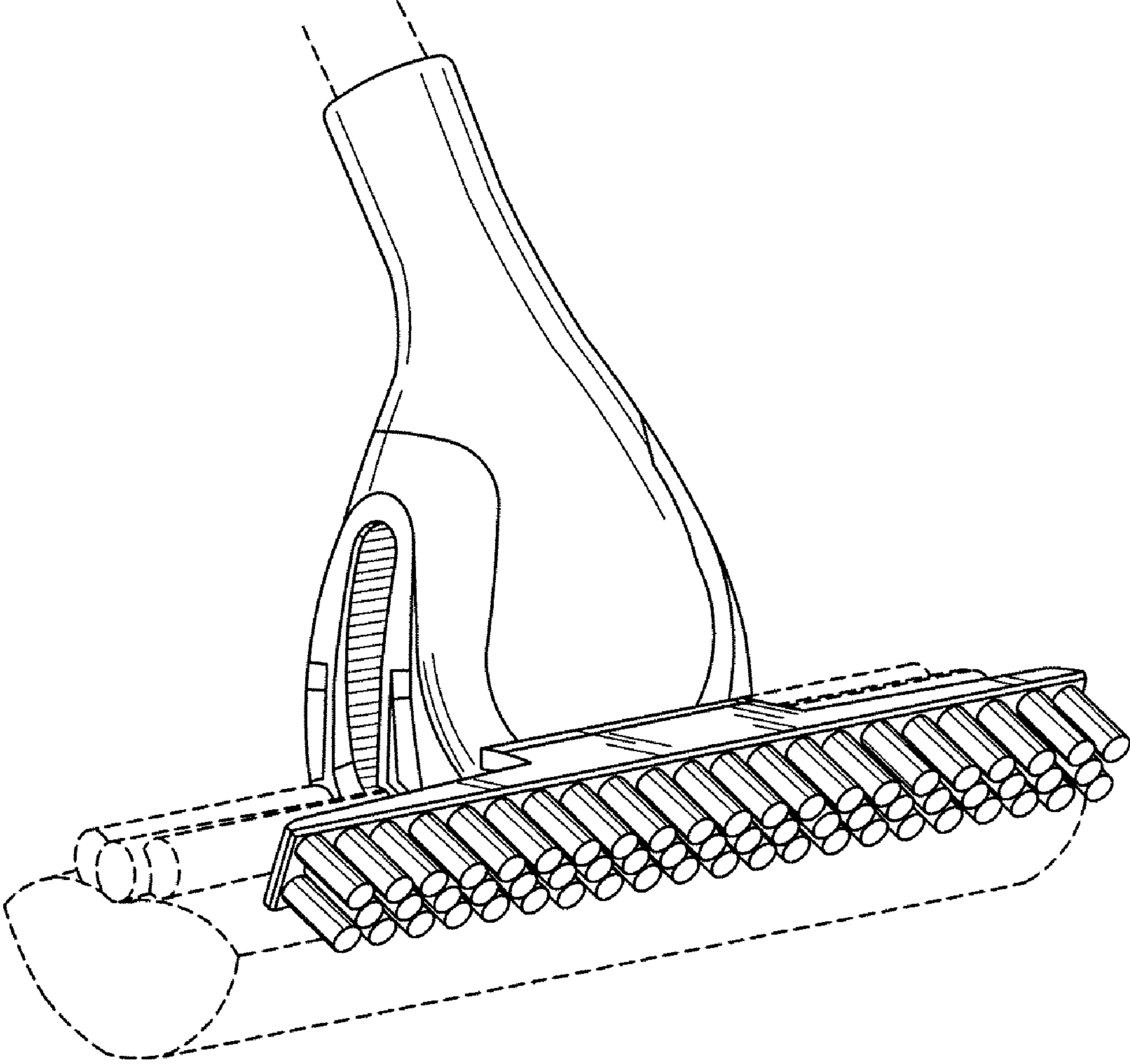


FIG. 2

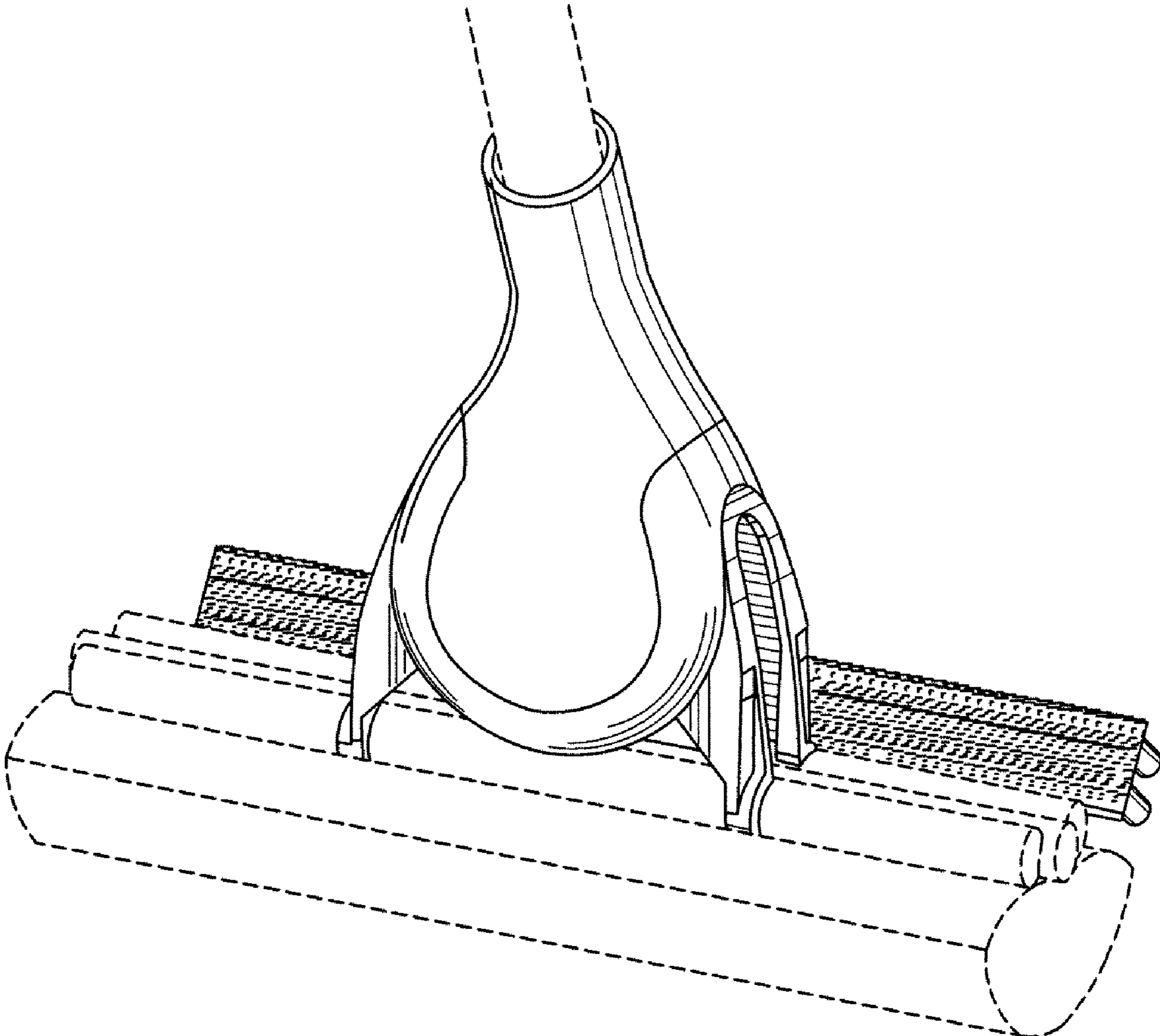


FIG. 3

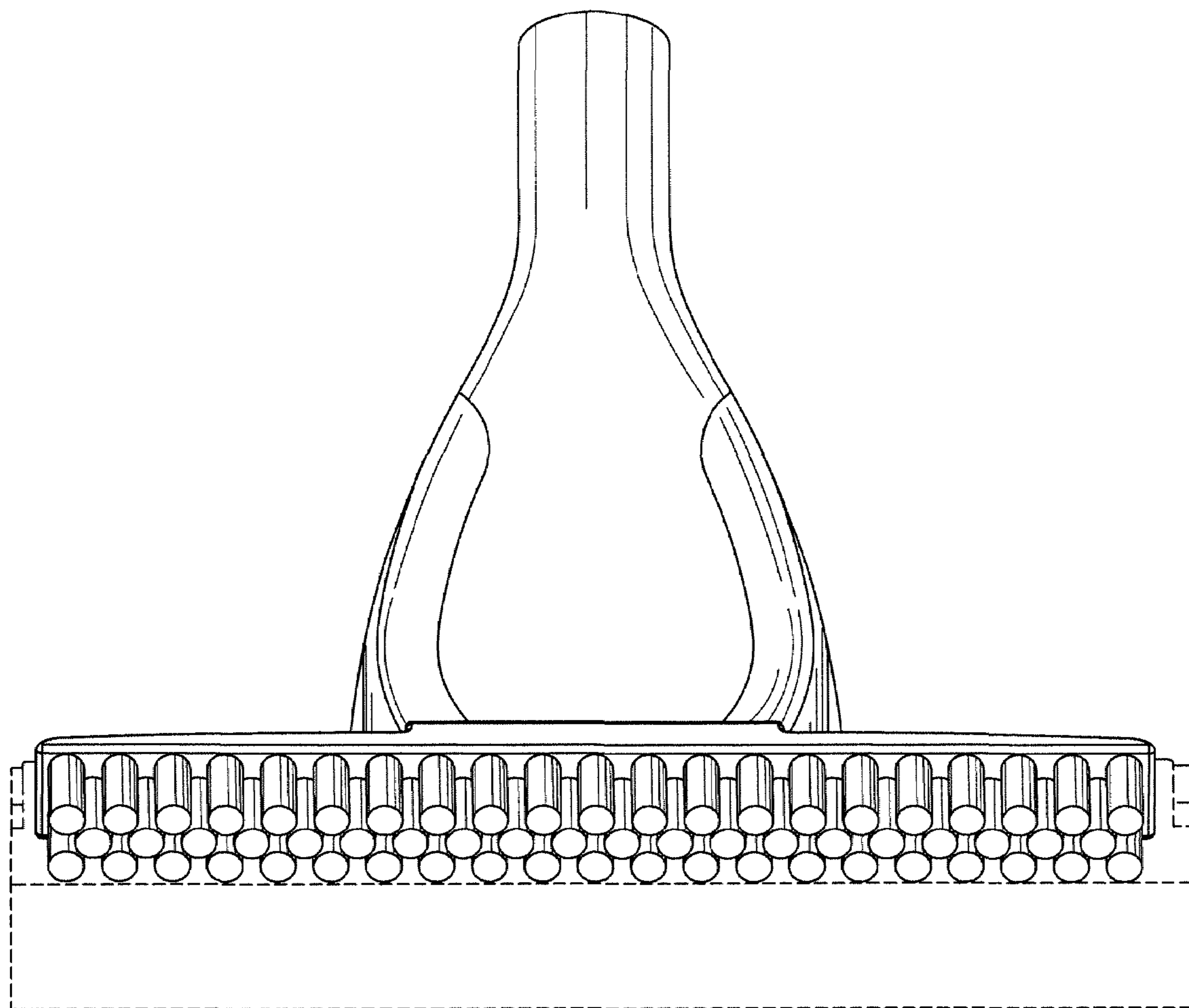


FIG. 4

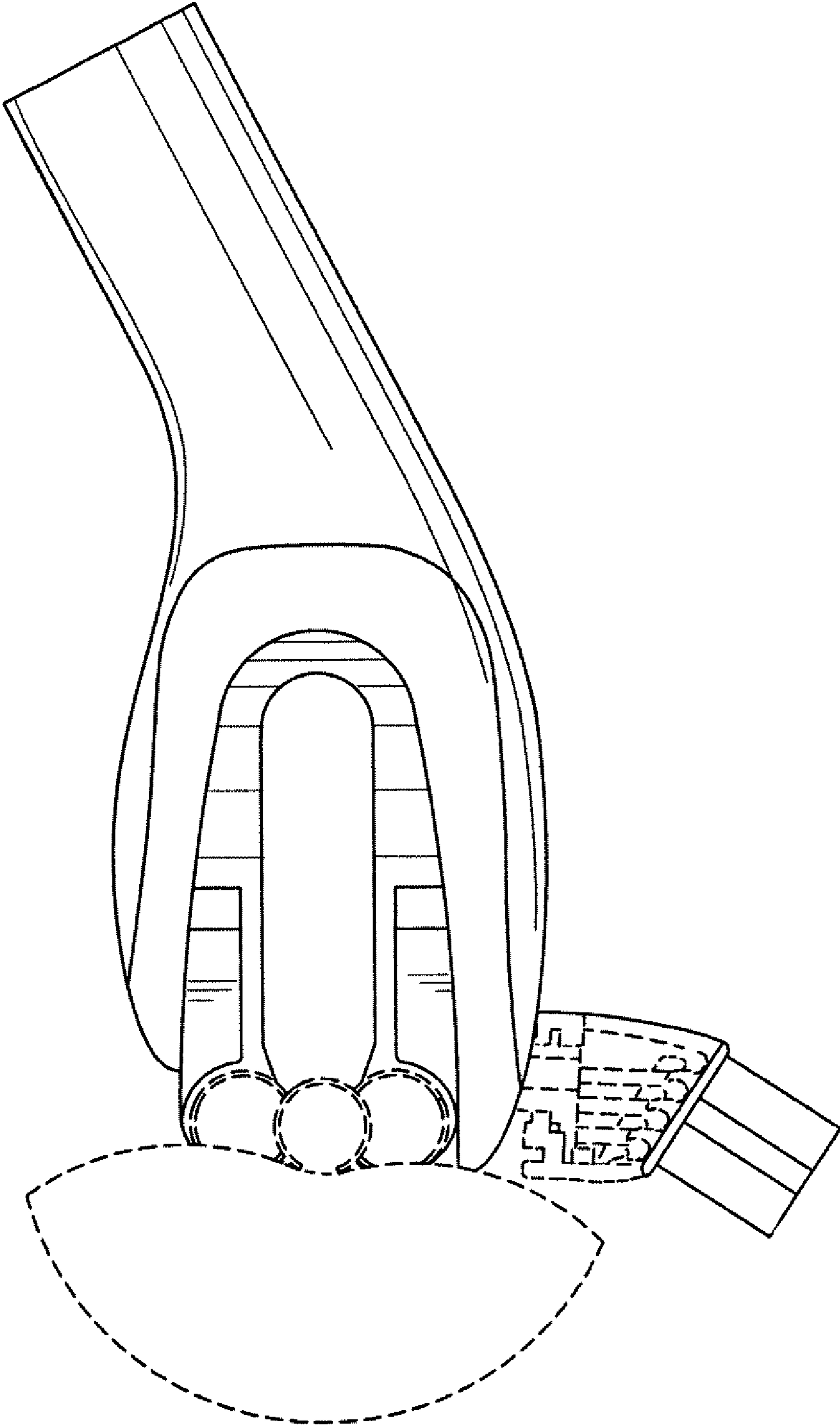


FIG. 5

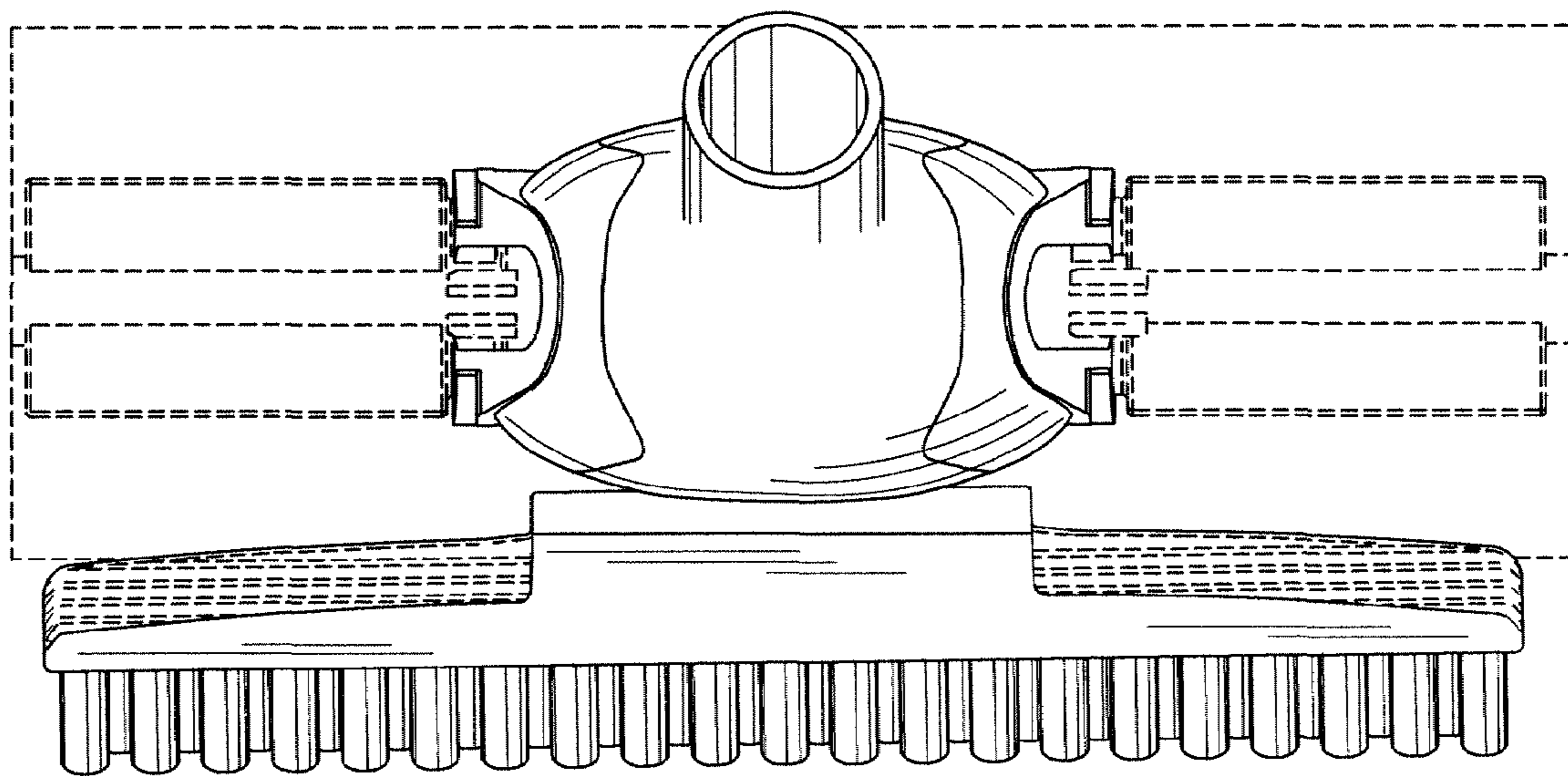


FIG. 6

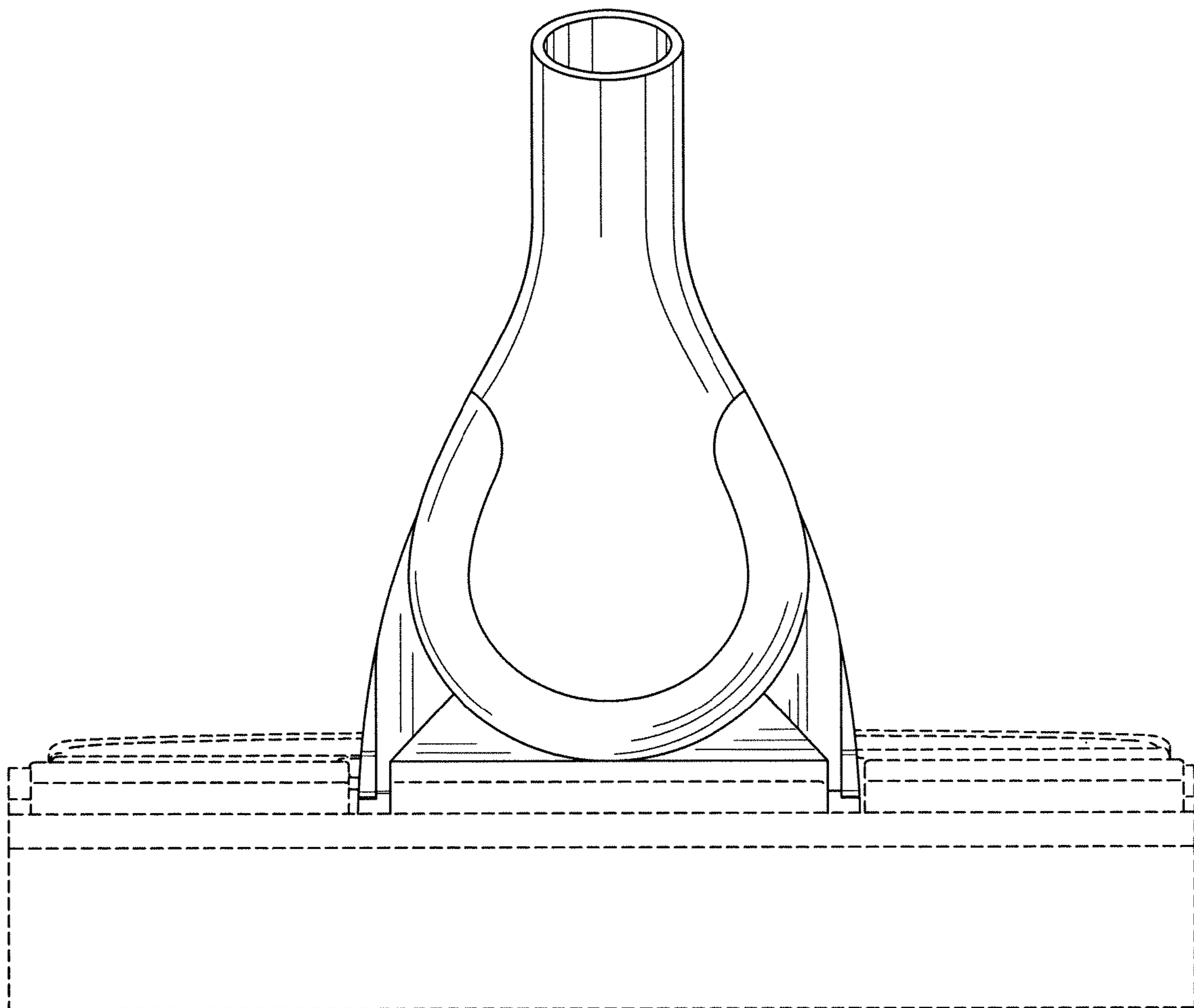
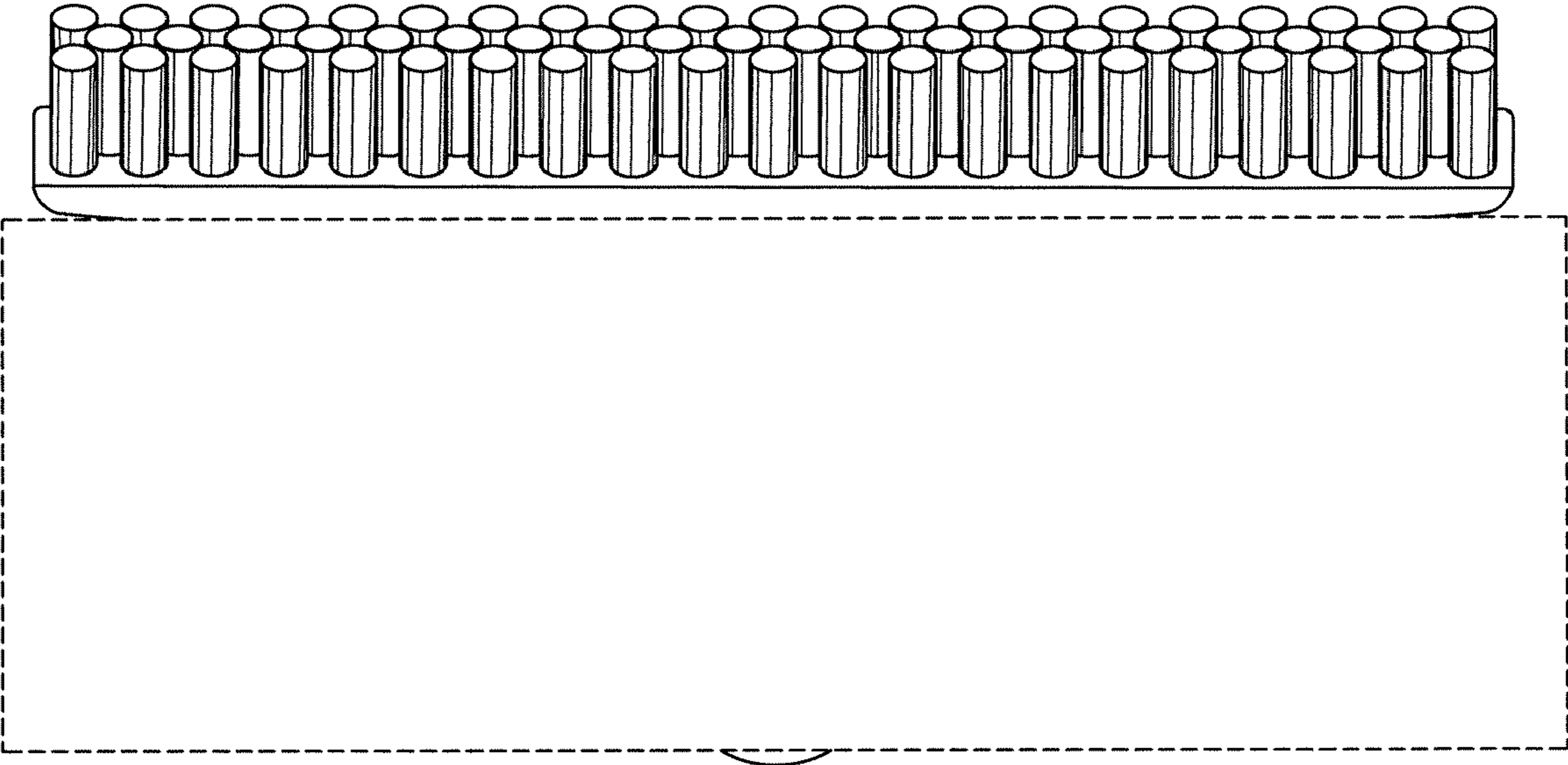


FIG. 7



UNITED STATES PATENT AND TRADEMARK OFFICE
CERTIFICATE OF CORRECTION

PATENT NO. : Des. 606,270 S
APPLICATION NO. : 29/339645
DATED : December 15, 2009
INVENTOR(S) : Weis et al.

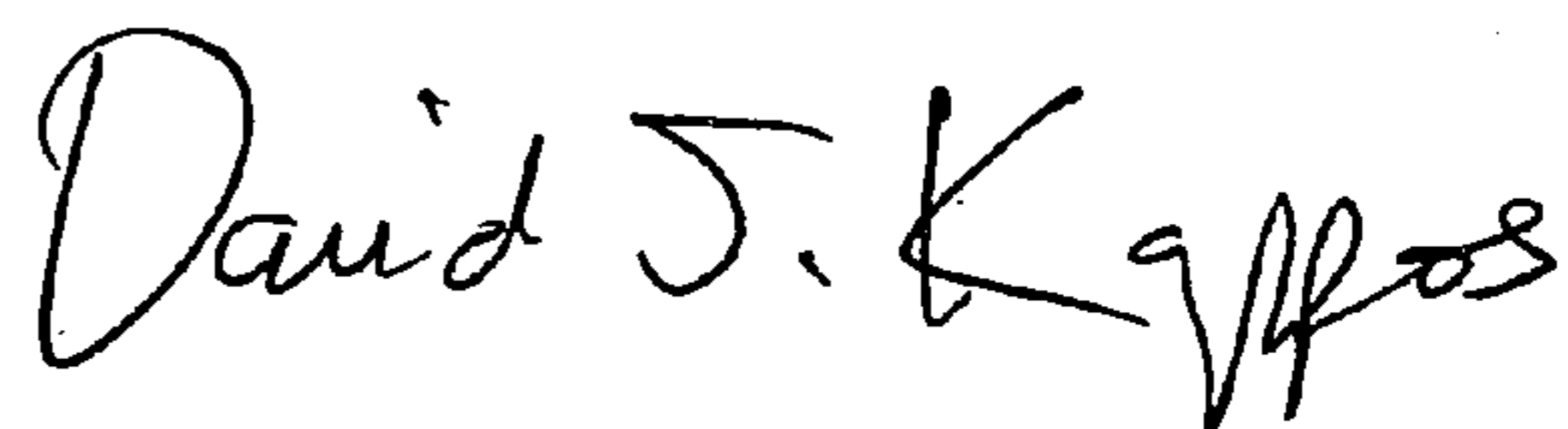
Page 1 of 1

It is certified that error appears in the above-identified patent and that said Letters Patent is hereby corrected as shown below:

Front page, item (73), "Freudenberg Household Products LP" should read
--Freudenberg Household Products LP--.

Signed and Sealed this

Ninth Day of March, 2010

A handwritten signature in black ink that reads "David J. Kappos". The signature is written in a cursive style with a large, prominent 'D' and 'K'.

David J. Kappos
Director of the United States Patent and Trademark Office