



US00D606268S

(12) **United States Design Patent**
Daniels et al.

(10) **Patent No.:** **US D606,268 S**

(45) **Date of Patent:** **** Dec. 15, 2009**

(54) **VACUUM CLEANER**

(75) Inventors: **Micha Daniels**, Sulzbach (DE); **Helmut Kaiser**, Wolfratshausen (DE); **Stefan Koitzsch**, Darmstadt (DE); **Jörg Schröter**, Gröbenzell (DE)

(73) Assignee: **BSH Bosch und Siemens Hausgeraete GmbH**, Munich (DE)

(**) Term: **14 Years**

(21) Appl. No.: **29/310,577**

(22) Filed: **Aug. 27, 2008**

(51) **LOC (9) Cl.** **15-05**

(52) **U.S. Cl.** **D32/21**

(58) **Field of Classification Search** D32/1, D32/21, 31, 18; 15/327.1–327.7, 340.2, 15/412, 320–321, 329, 323, 246.2, 353, DIG. 1, 15/247, 347, 344; 417/234; 55/459.1, DIG. 3, 55/345, 337, 429, 460; 95/271; 210/512.1
See application file for complete search history.

(56) **References Cited**

U.S. PATENT DOCUMENTS

D344,373 S *	2/1994	Haverkamp	D32/21
D368,993 S *	4/1996	Stutzer et al.	D32/21
D394,528 S *	5/1998	Pochopien et al.	D32/21
D398,093 S *	9/1998	Fujima	D32/21
D403,475 S *	12/1998	Mehaffey et al.	D32/21
D417,323 S *	11/1999	Fujita et al.	D32/21
D446,363 S *	8/2001	Sato et al.	D32/21

D488,598 S *	4/2004	Wakasa	D32/21
D491,703 S *	6/2004	Harada	D32/21
D495,455 S *	8/2004	Brown et al.	D32/21
D503,250 S *	3/2005	Choi	D32/21
D506,856 S *	6/2005	Schroter	D32/21
D572,421 S *	7/2008	Schroeter	D32/21

* cited by examiner

Primary Examiner—Ruth McInroy

(74) *Attorney, Agent, or Firm*—James E. Howard; Andre Pallapies

(57) **CLAIM**

The ornamental design for a vacuum cleaner, as shown and described.

DESCRIPTION

FIG. 1 is a perspective view of a vacuum cleaner showing our ornamental design;

FIG. 2 is another perspective view thereof;

FIG. 3 is a rear plan view thereof;

FIG. 4 is a front plan view thereof;

FIG. 5 is a top view thereof;

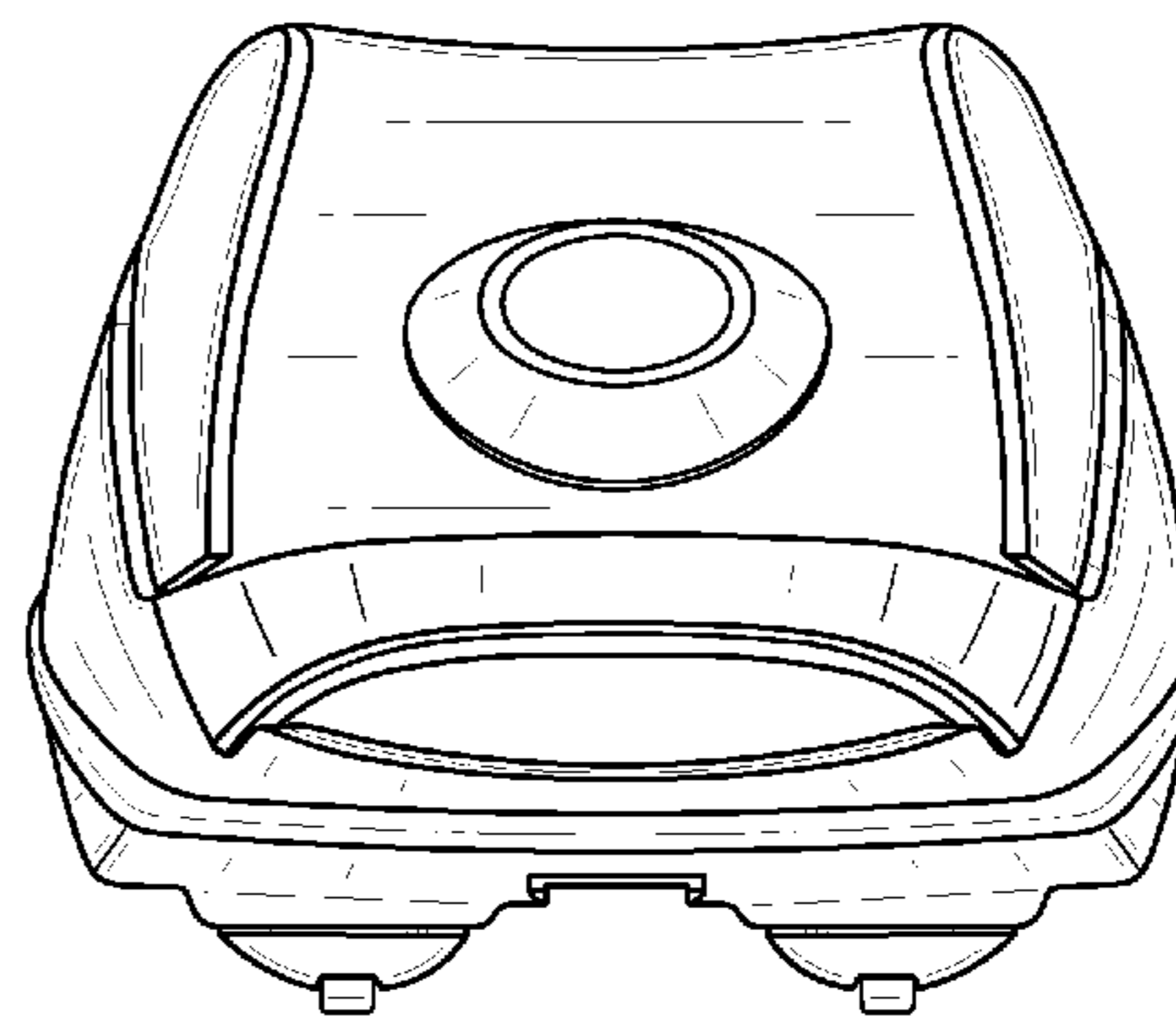
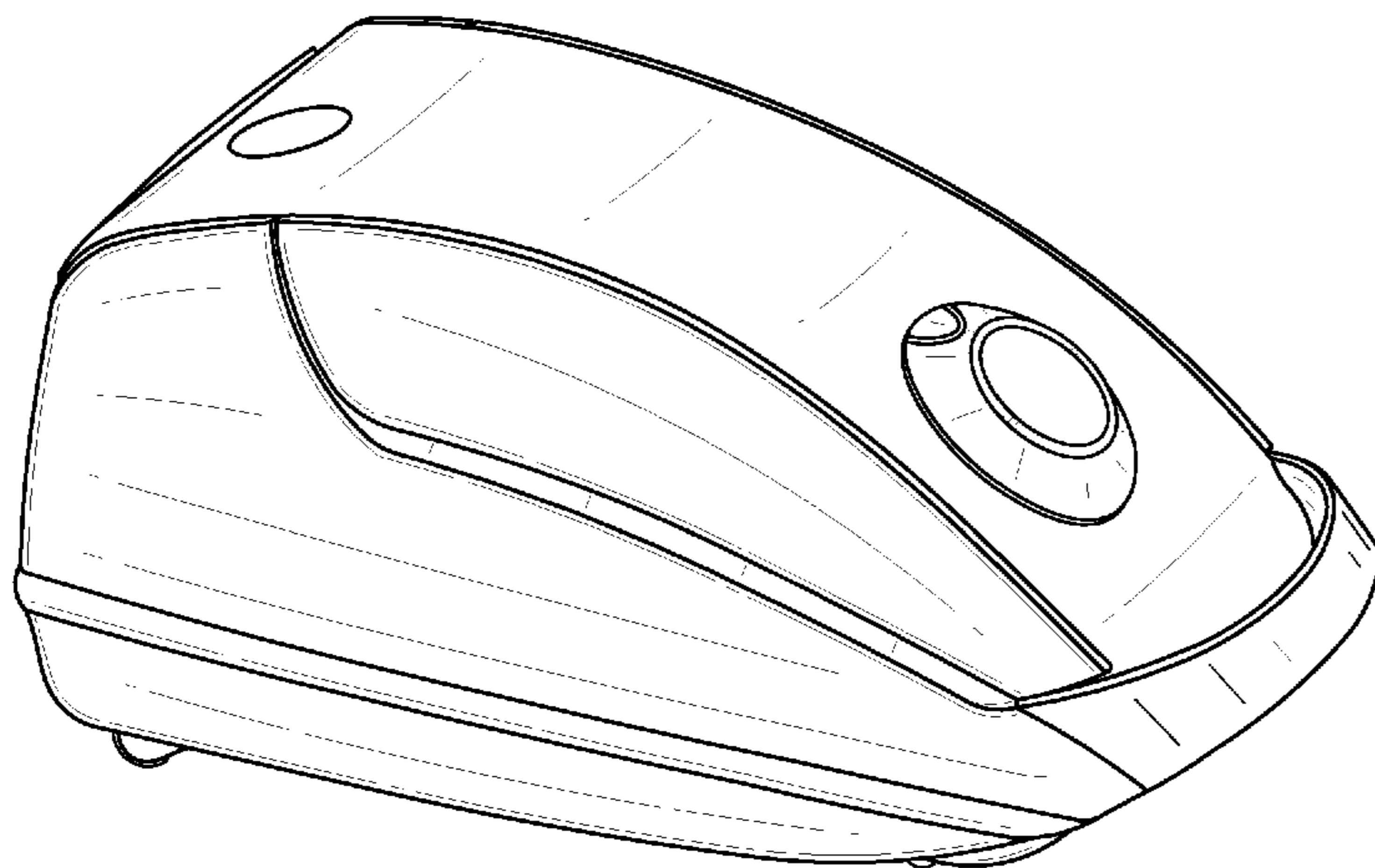
FIG. 6 is a bottom view thereof;

FIG. 7 is a left view thereof; and,

FIG. 8 is a right view thereof.

The details shown in broken lines form no part of the claimed design.

1 Claim, 6 Drawing Sheets



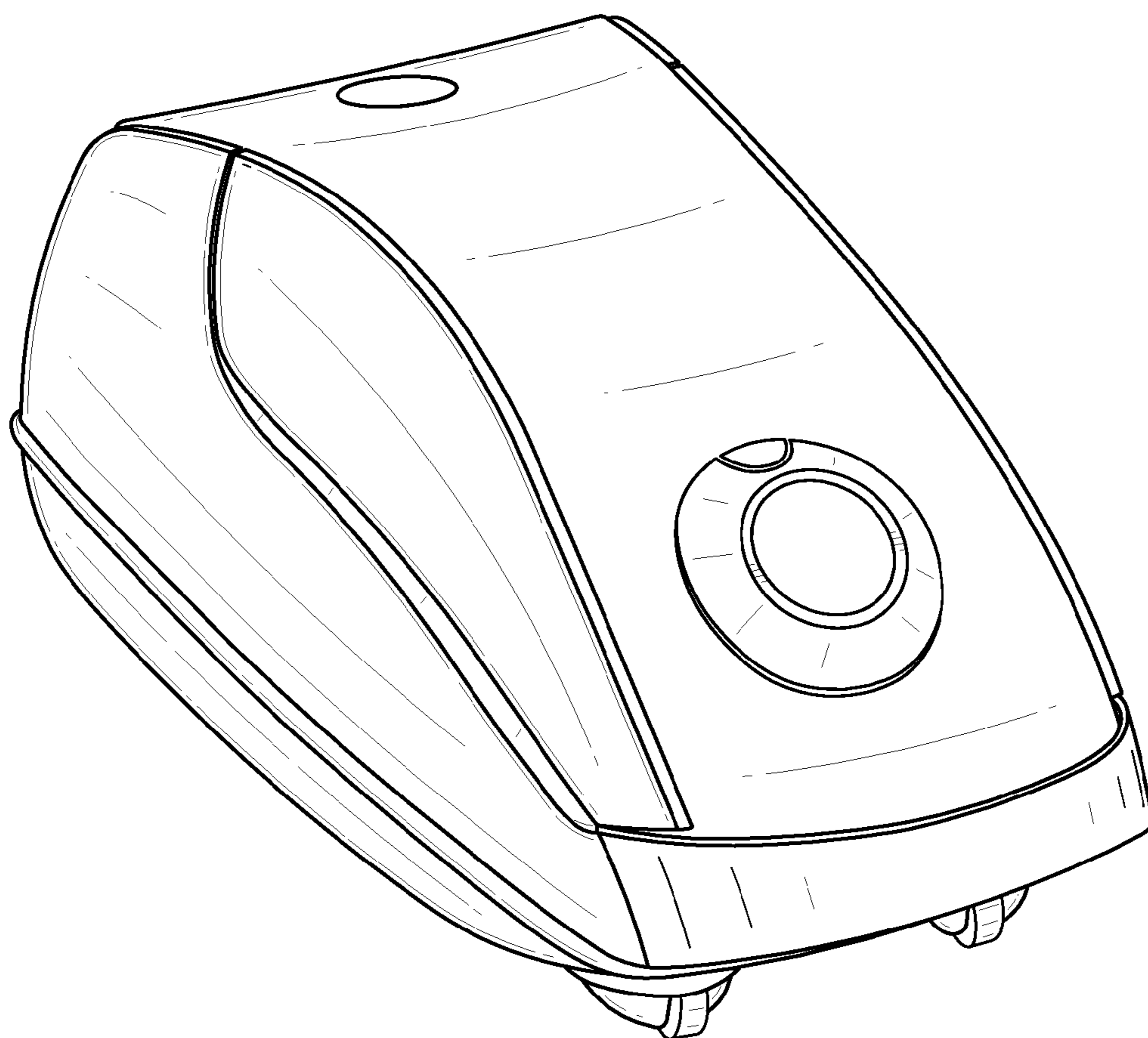


Fig. 1

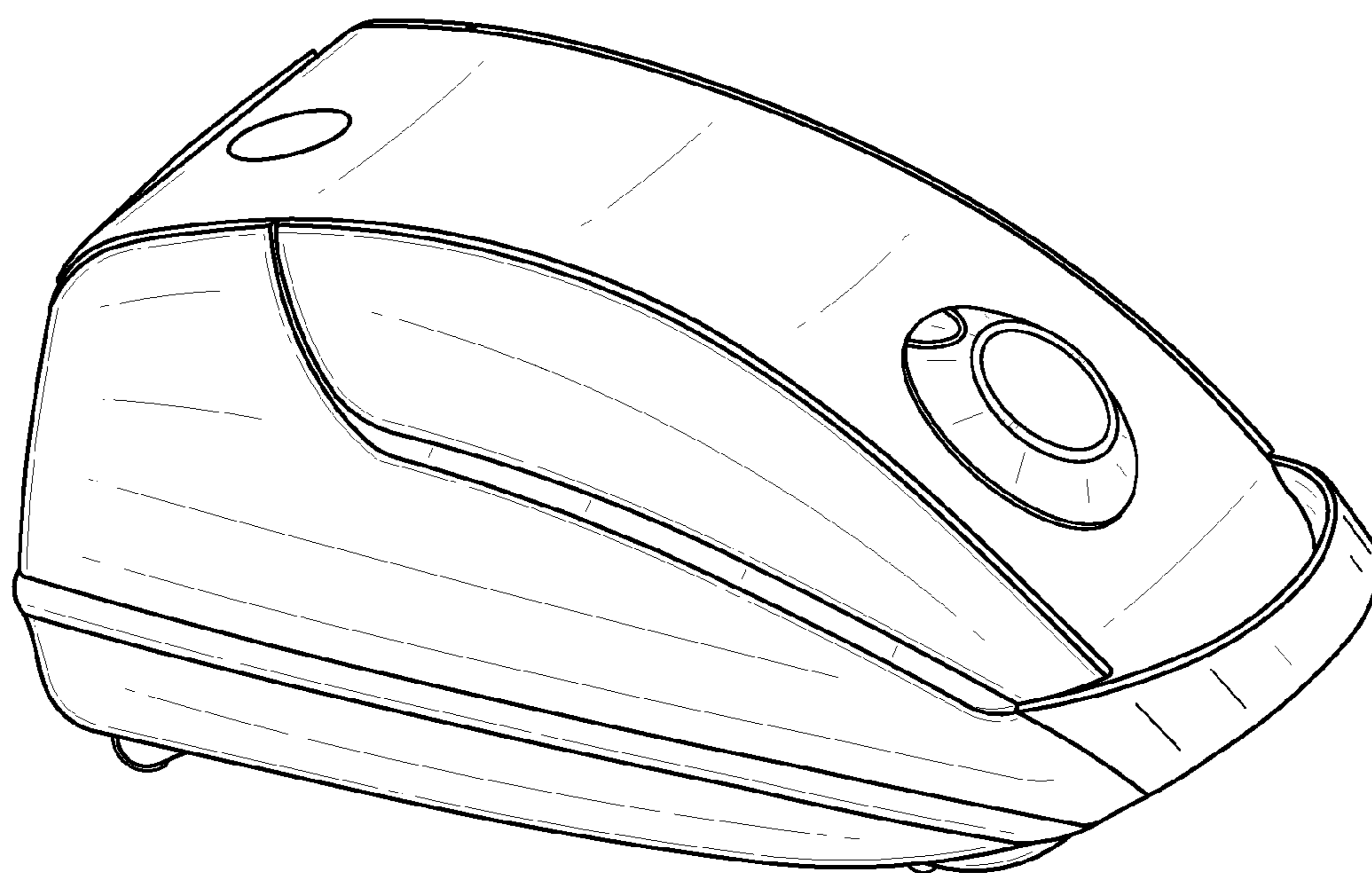


Fig. 2

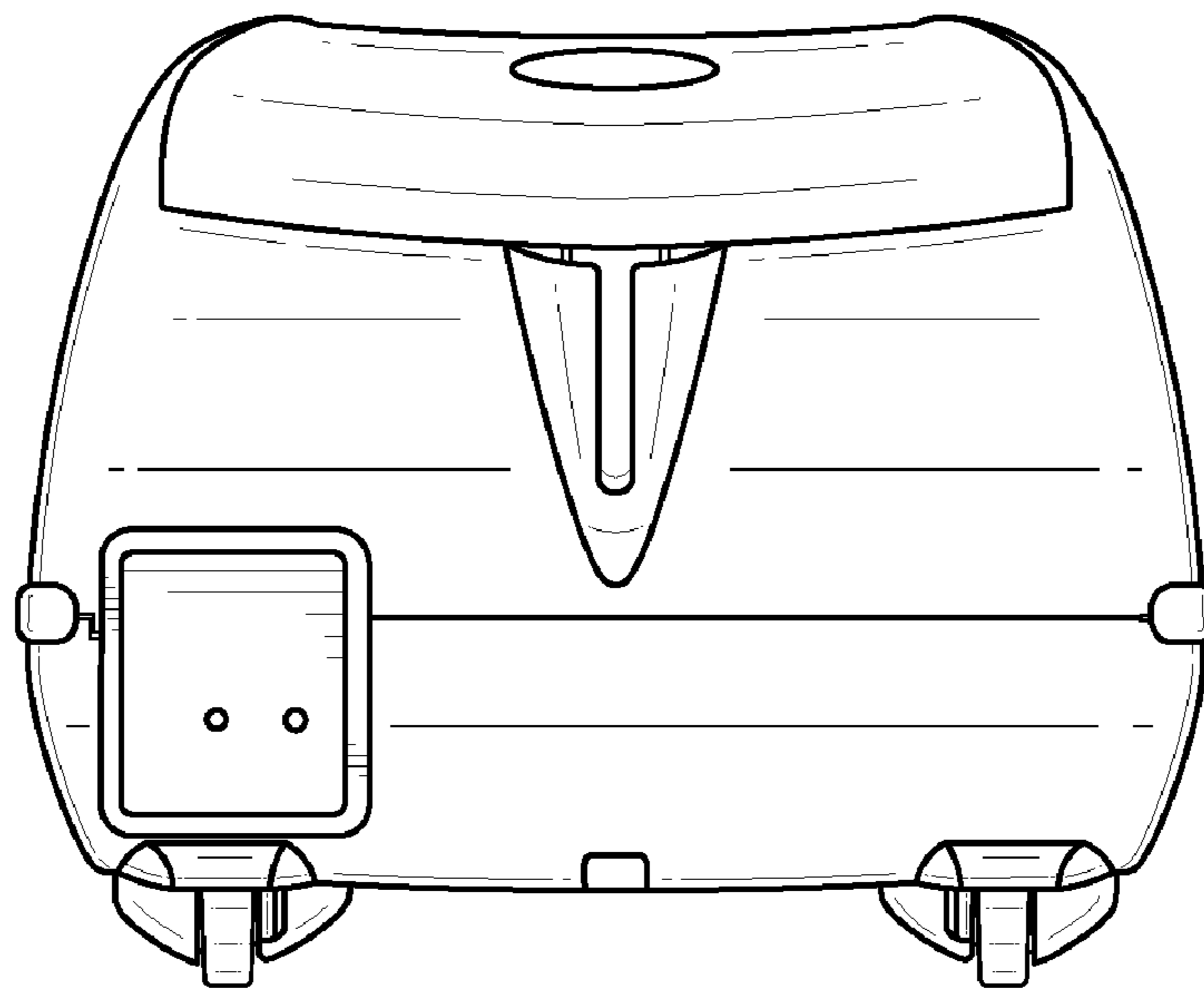


Fig. 3

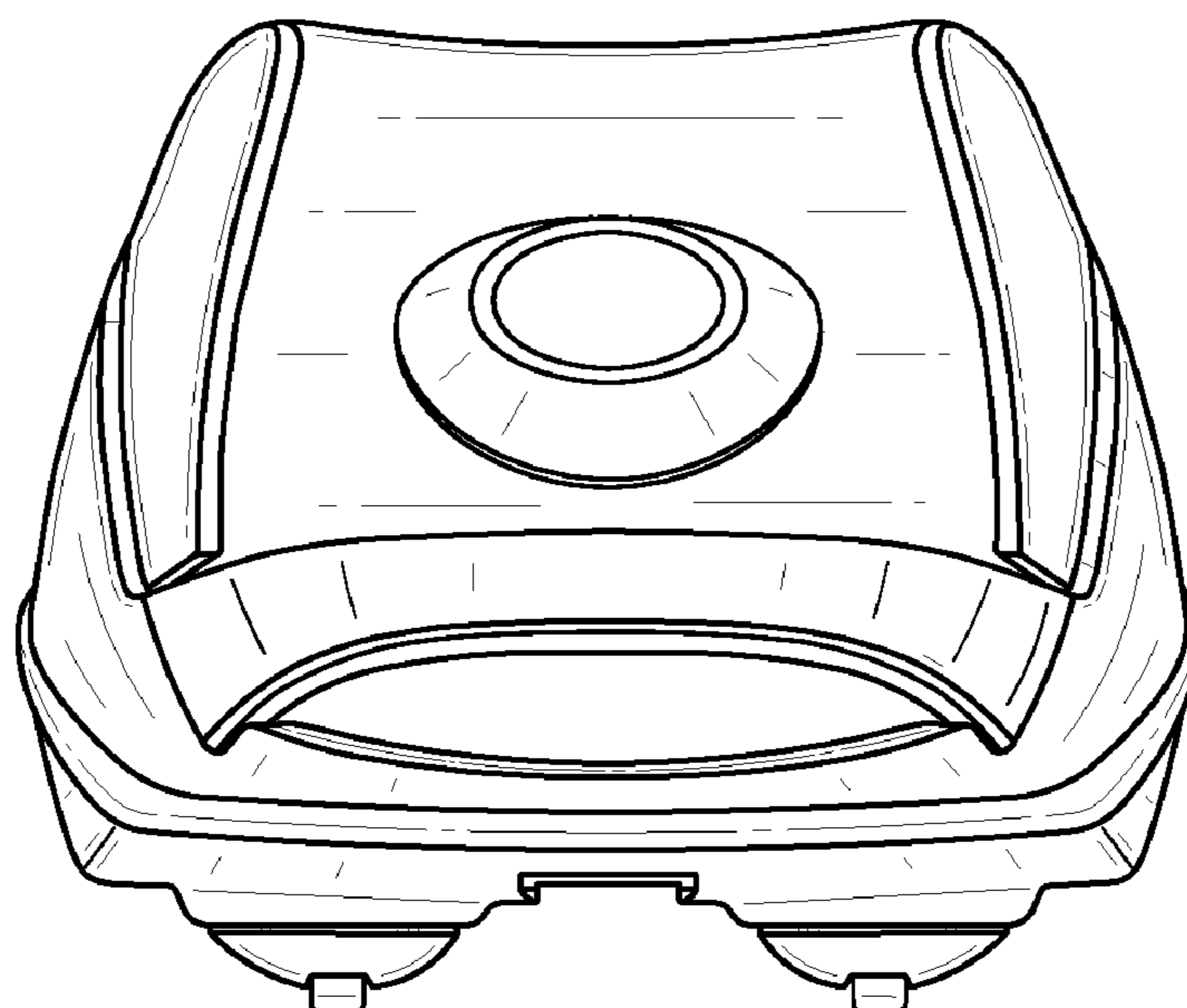


Fig. 4

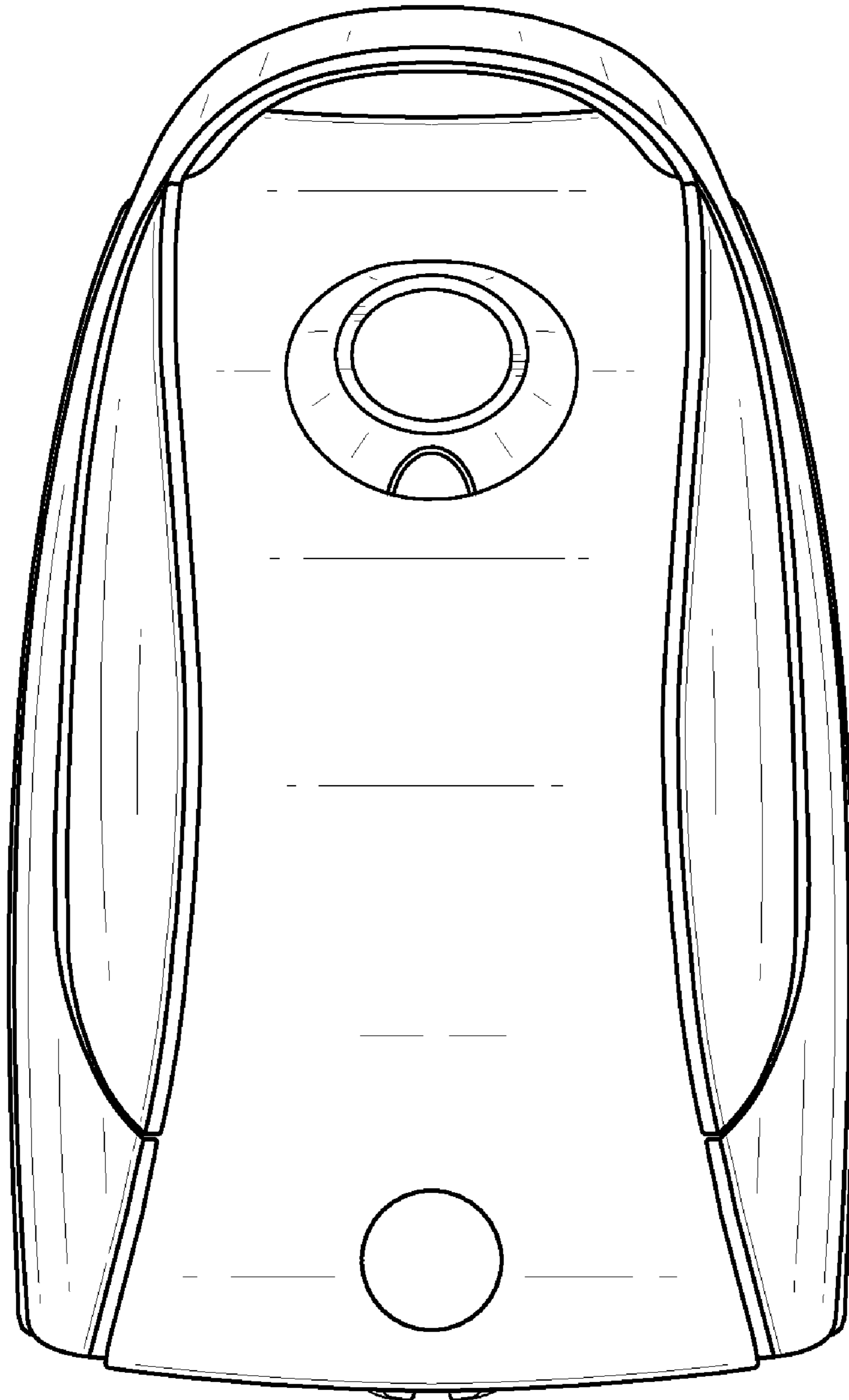


Fig. 5

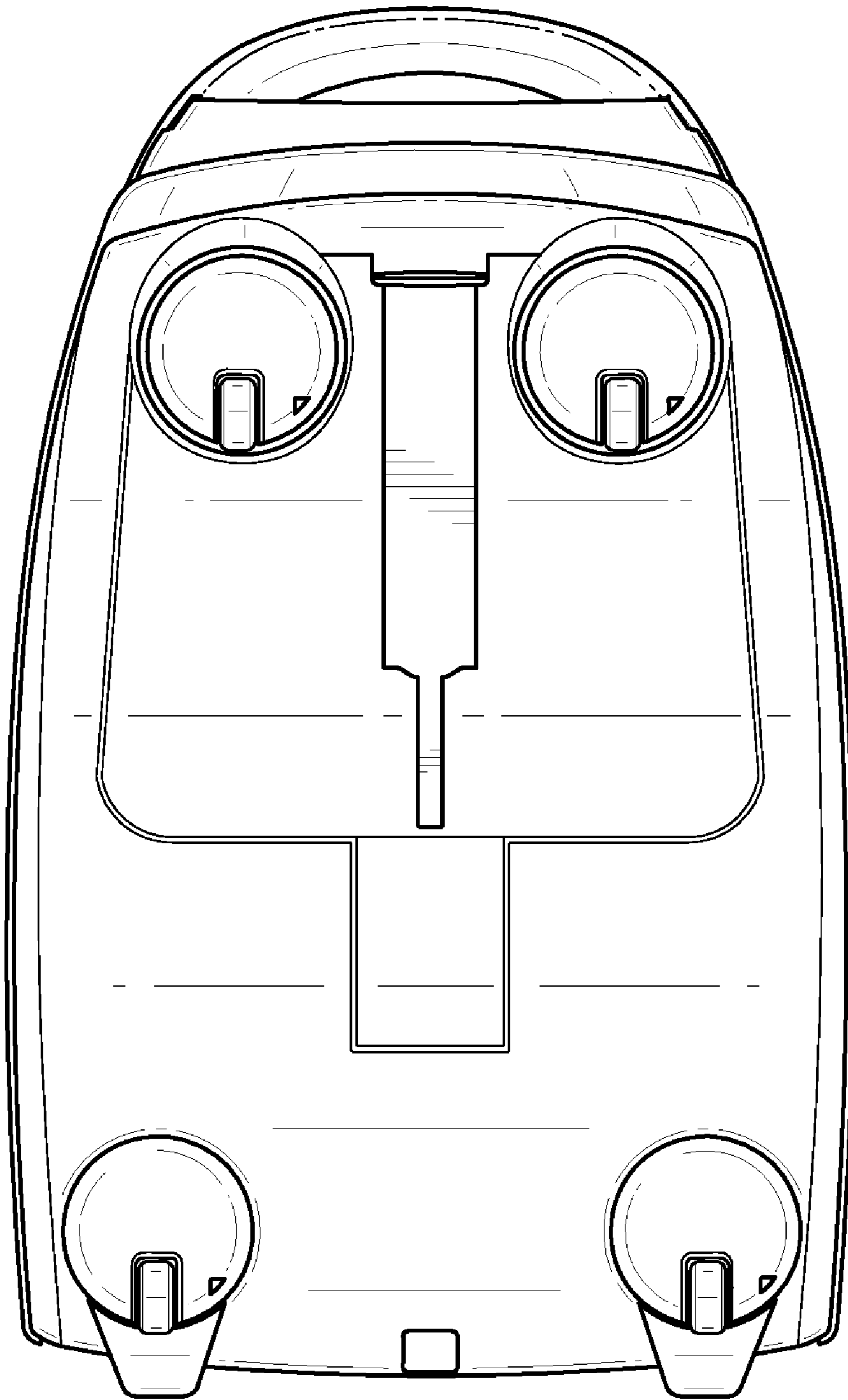


Fig. 6

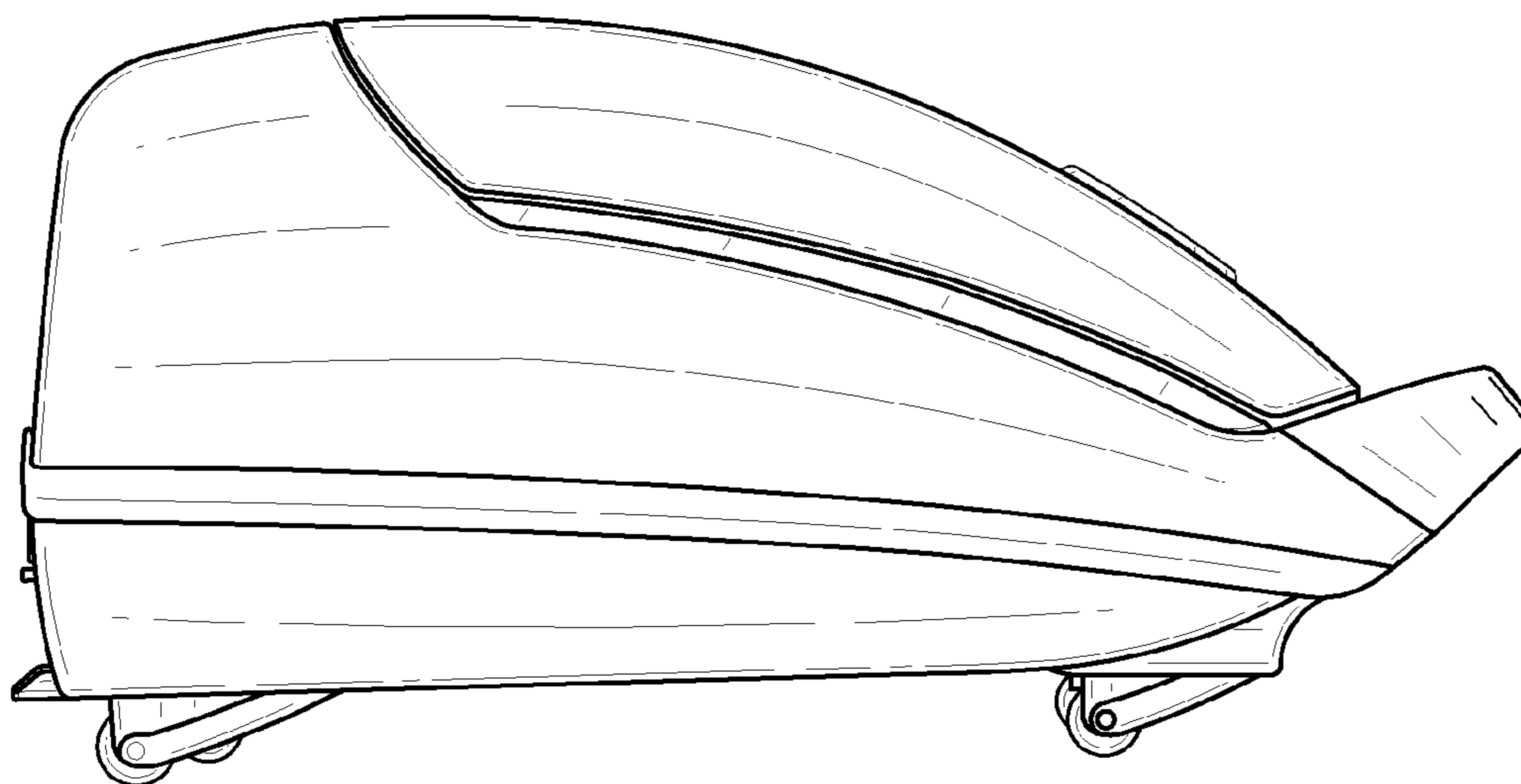


Fig. 7

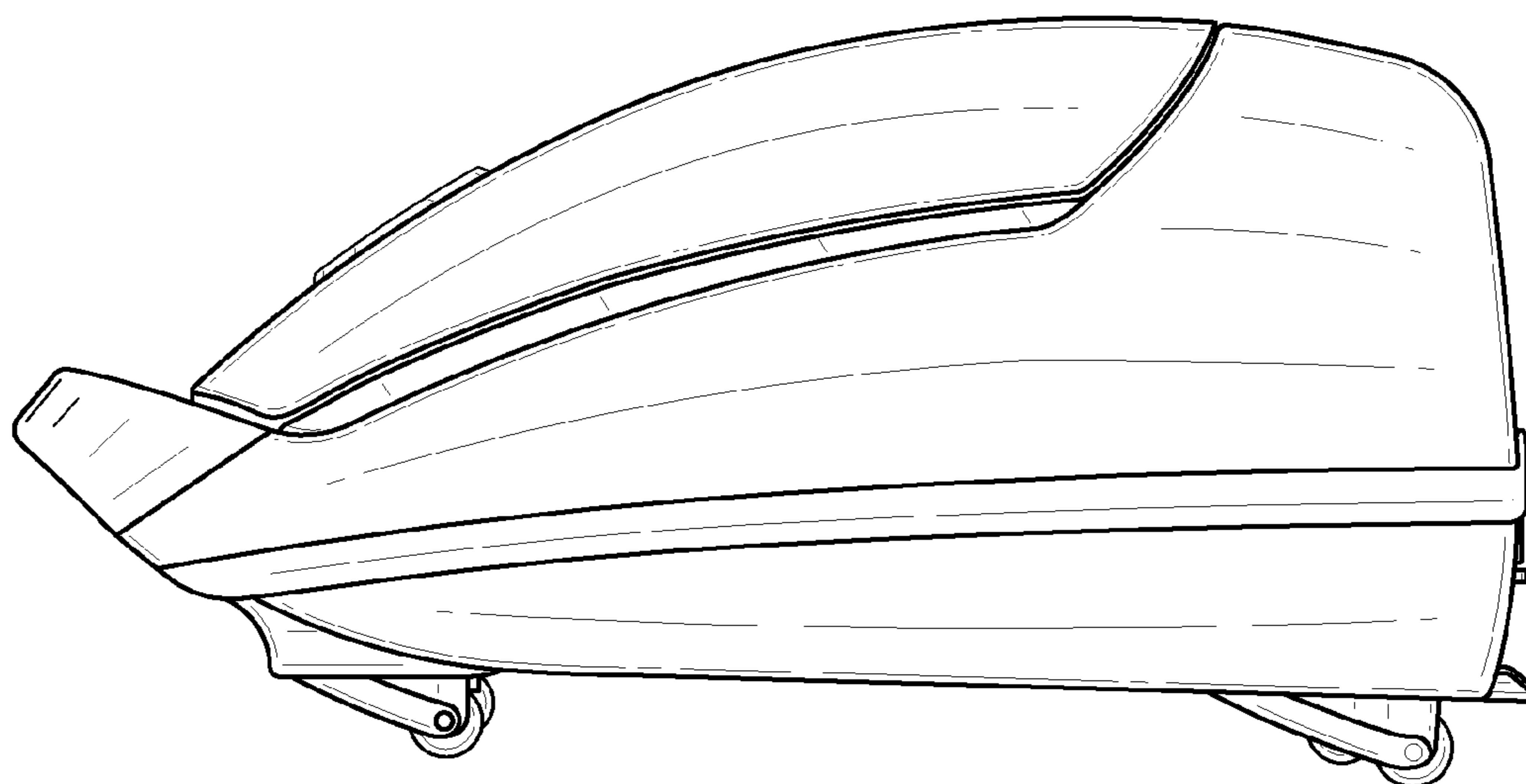


Fig. 8

UNITED STATES PATENT AND TRADEMARK OFFICE
CERTIFICATE OF CORRECTION

PATENT NO. : Des. 606,268 S
APPLICATION NO. : 29/310577
DATED : December 15, 2009
INVENTOR(S) : Daniels et al.

Page 1 of 1

It is certified that error appears in the above-identified patent and that said Letters Patent is hereby corrected as shown below:

Title Page, insert

Item --(30) **Foreign Application Priority Data**

Feb. 29, 2008 (EM)000903695--

Signed and Sealed this

Ninth Day of March, 2010



David J. Kappos
Director of the United States Patent and Trademark Office