



US00D606266S

(12) **United States Design Patent**
Waldfogel

(10) **Patent No.:** **US D606,266 S**

(45) **Date of Patent:** **** Dec. 15, 2009**

(54) **WASTE BAG DISPENSER FOR ANIMAL WASTE**

4,854,624 A * 8/1989 Baymiller 294/1.3

(76) Inventor: **Alan Waldfogel**, 6886 NW. 113th Ave.,
Parkland, FL (US) 33076

* cited by examiner

Primary Examiner—Mitchell I Siegel
(74) *Attorney, Agent, or Firm*—Robert C. Kain, Jr.

(**) Term: **14 Years**

(21) Appl. No.: **29/299,693**

(57) **CLAIM**

(22) Filed: **Jan. 2, 2008**

I claim the ornamental design for a waste bag dispenser for animal waste, as shown.

(51) **LOC (9) Cl.** **30-99**

DESCRIPTION

(52) **U.S. Cl.** **D30/161**

(58) **Field of Classification Search** D30/161;
206/372, 499; 294/1.3, 25, 118, 16, 55; 229/198.1,
229/5.84, 117.03, 117.09; 15/257.6

FIG. 1 is a front elevational view of the waste bag dispenser for animal waste.

FIG. 2 is top view of the waste bag dispenser for animal waste.

See application file for complete search history.

FIG. 3 is a bottom view of the waste bag dispenser for animal waste.

(56) **References Cited**

U.S. PATENT DOCUMENTS

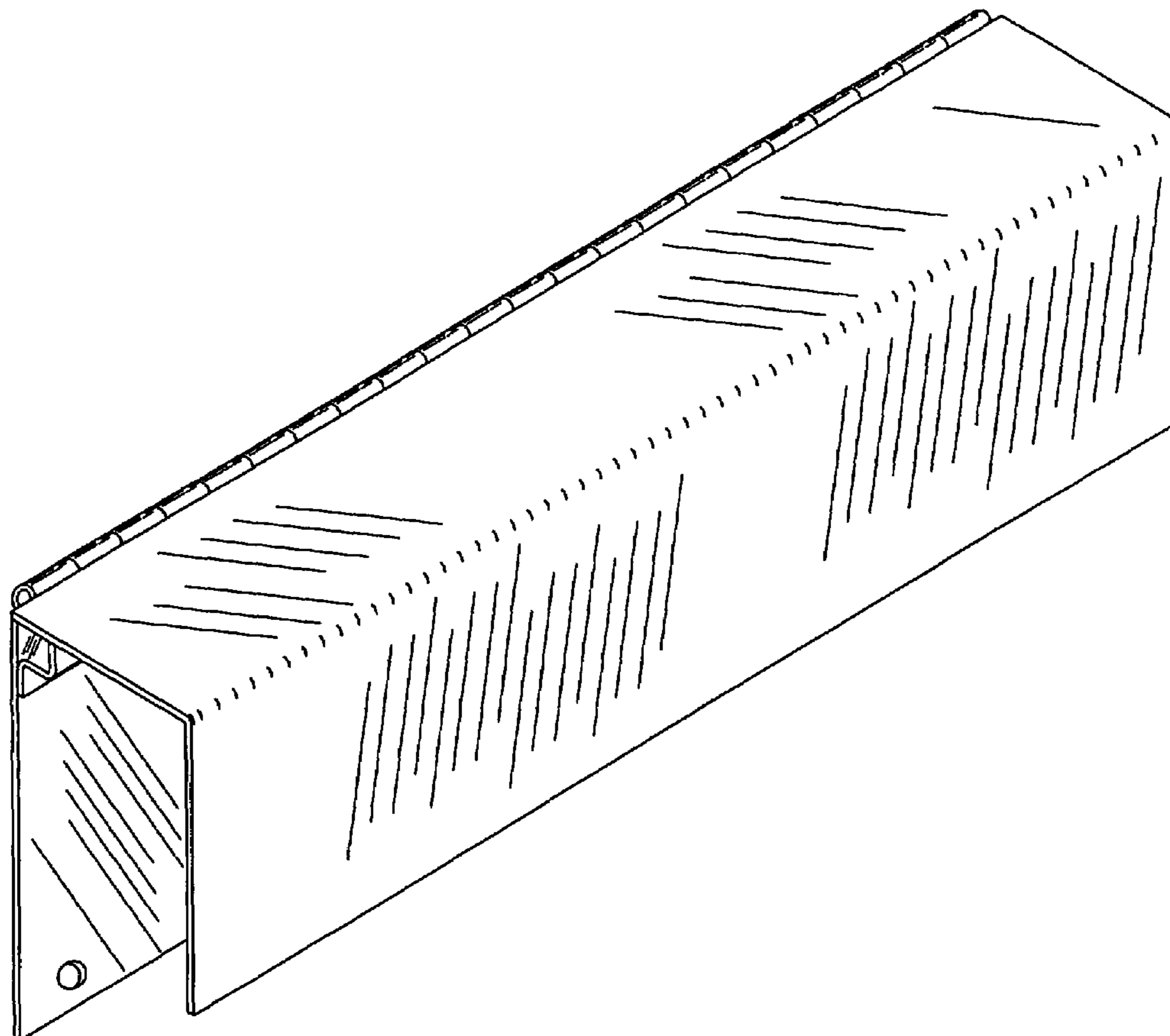
3,407,927	A *	10/1968	Jones	294/1.3
3,685,088	A *	8/1972	Doherty	294/1.3
3,841,684	A *	10/1974	Seymour	294/1.3
3,848,906	A *	11/1974	Seymour	294/1.3
3,857,597	A *	12/1974	Young	294/1.3
4,148,510	A *	4/1979	Brack et al.	294/1.3
4,188,055	A *	2/1980	Green	294/1.3
4,747,633	A *	5/1988	Stacy	294/1.3

FIG. 4 is left side view of the waste bag dispenser for animal waste (the right side view being a mirror image of the left side view).

FIG. 5 is a rear view of the waste bag dispenser for animal waste; and,

FIG. 6 is an upper left perspective view of the waste bag dispenser for animal waste.

1 Claim, 5 Drawing Sheets



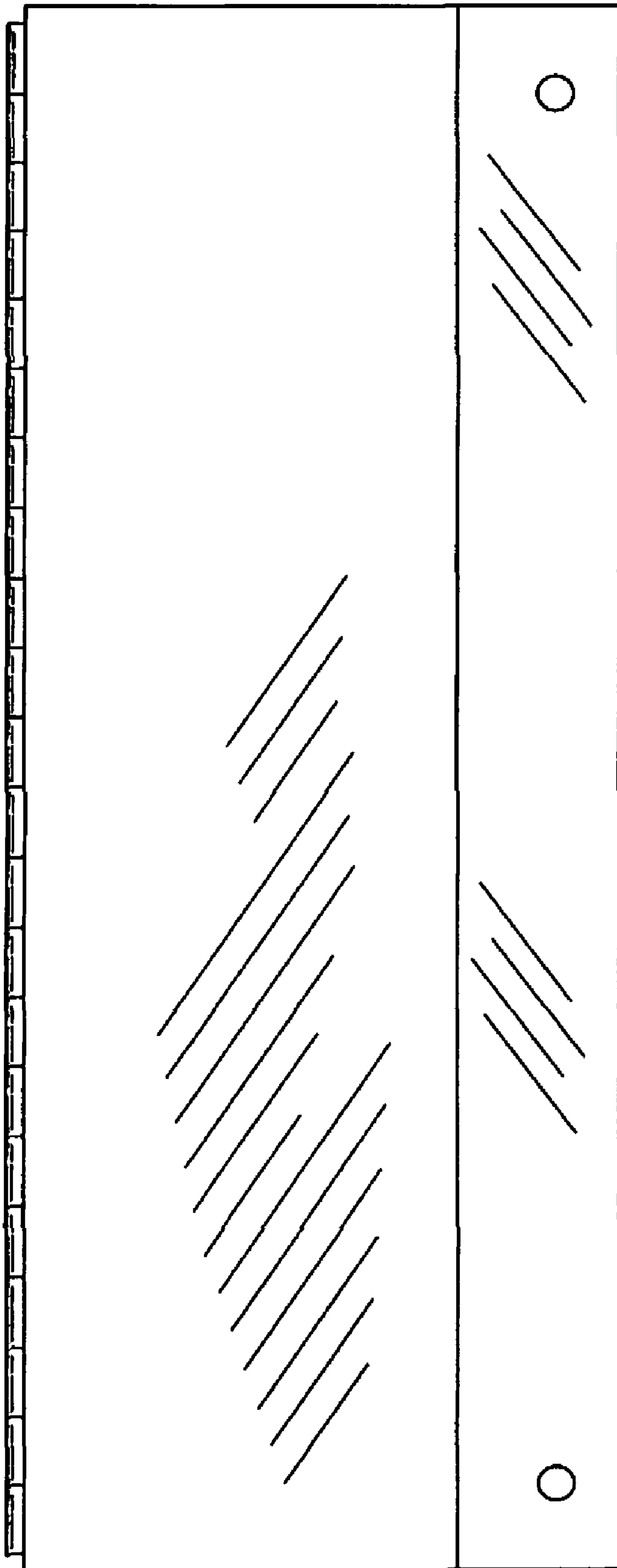


FIG. 1

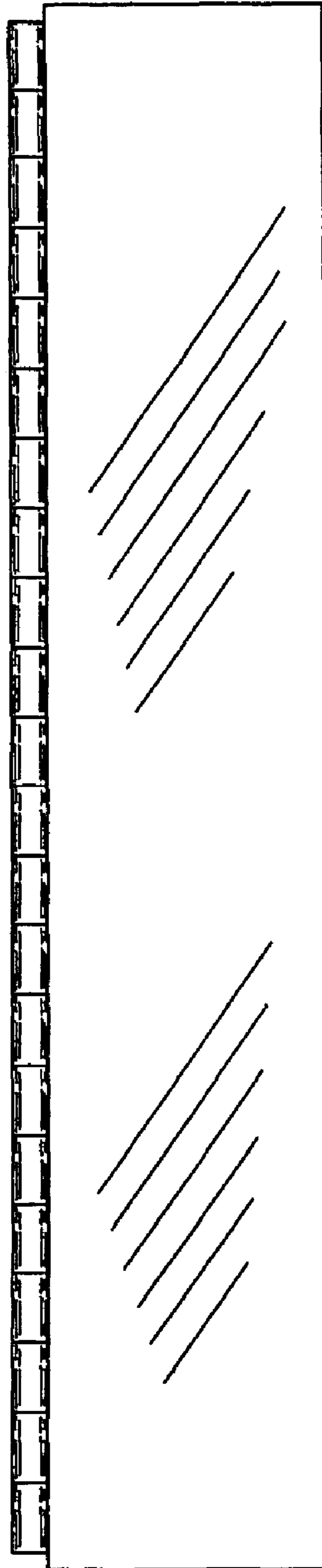


FIG. 2

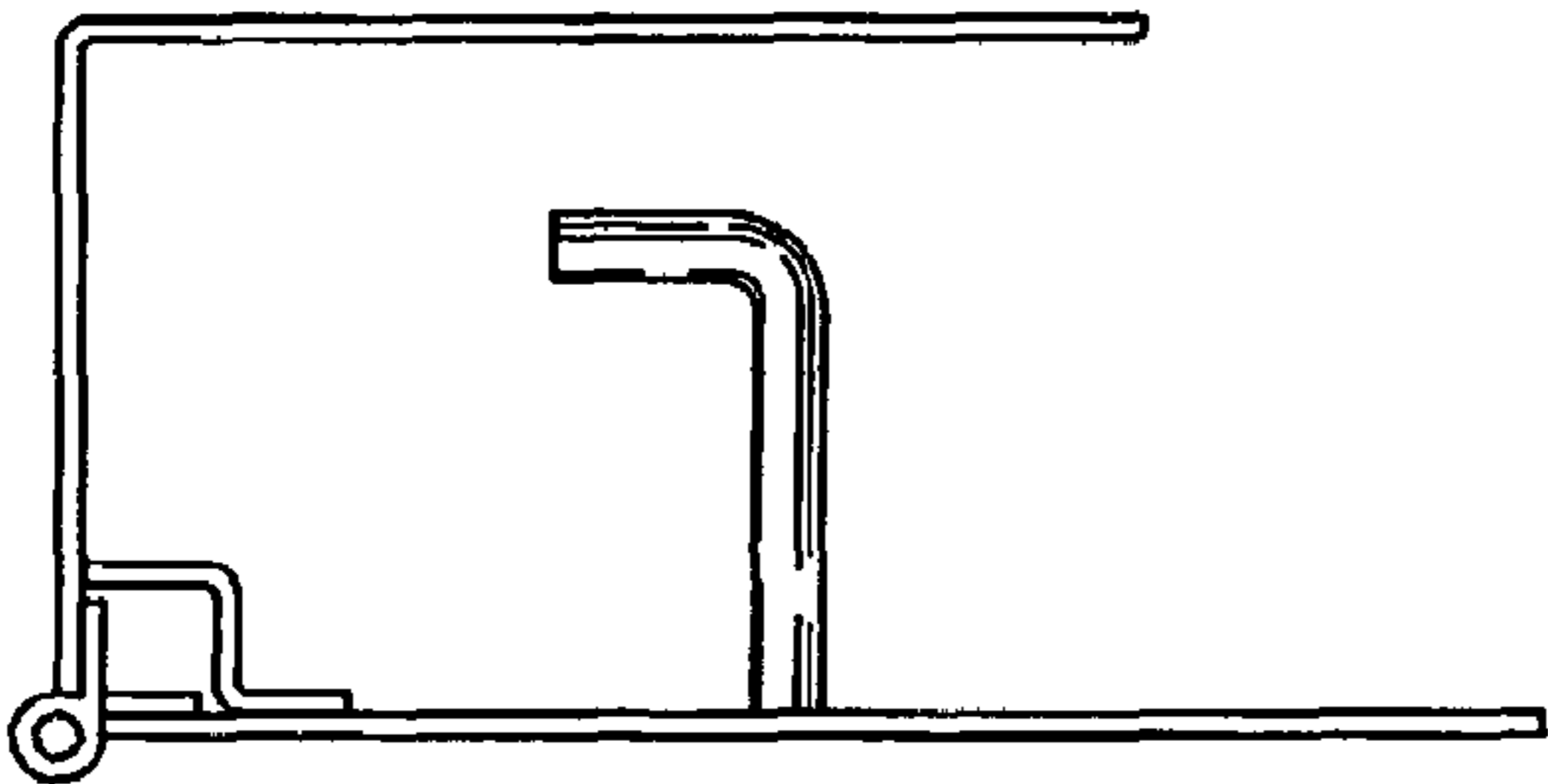


FIG. 4

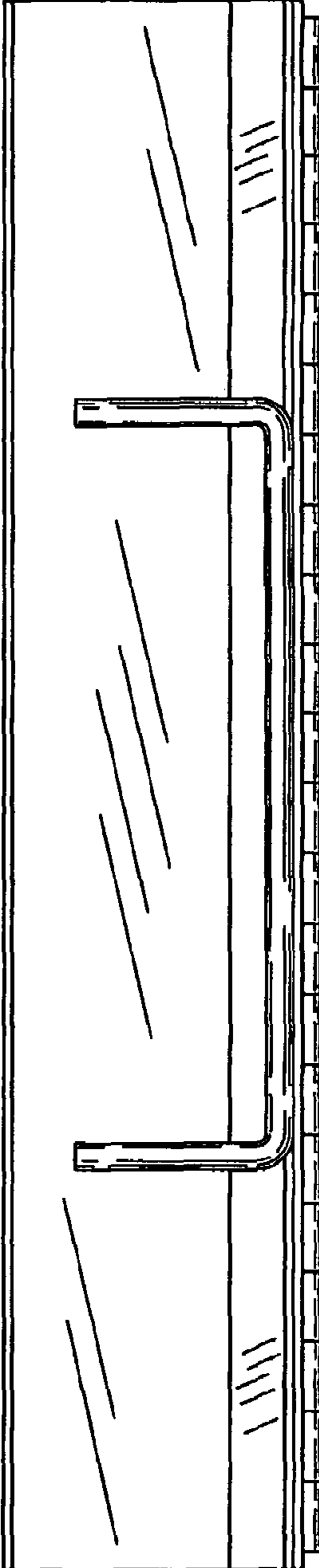


FIG. 3

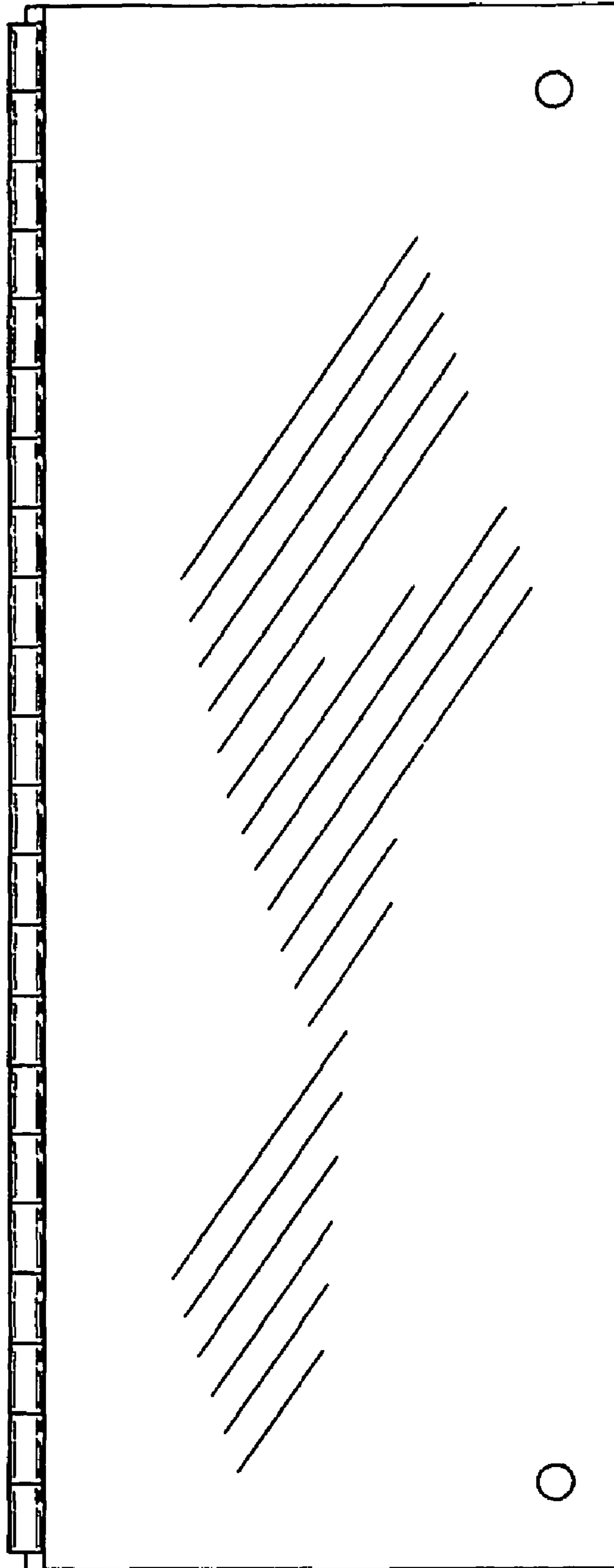


FIG. 5

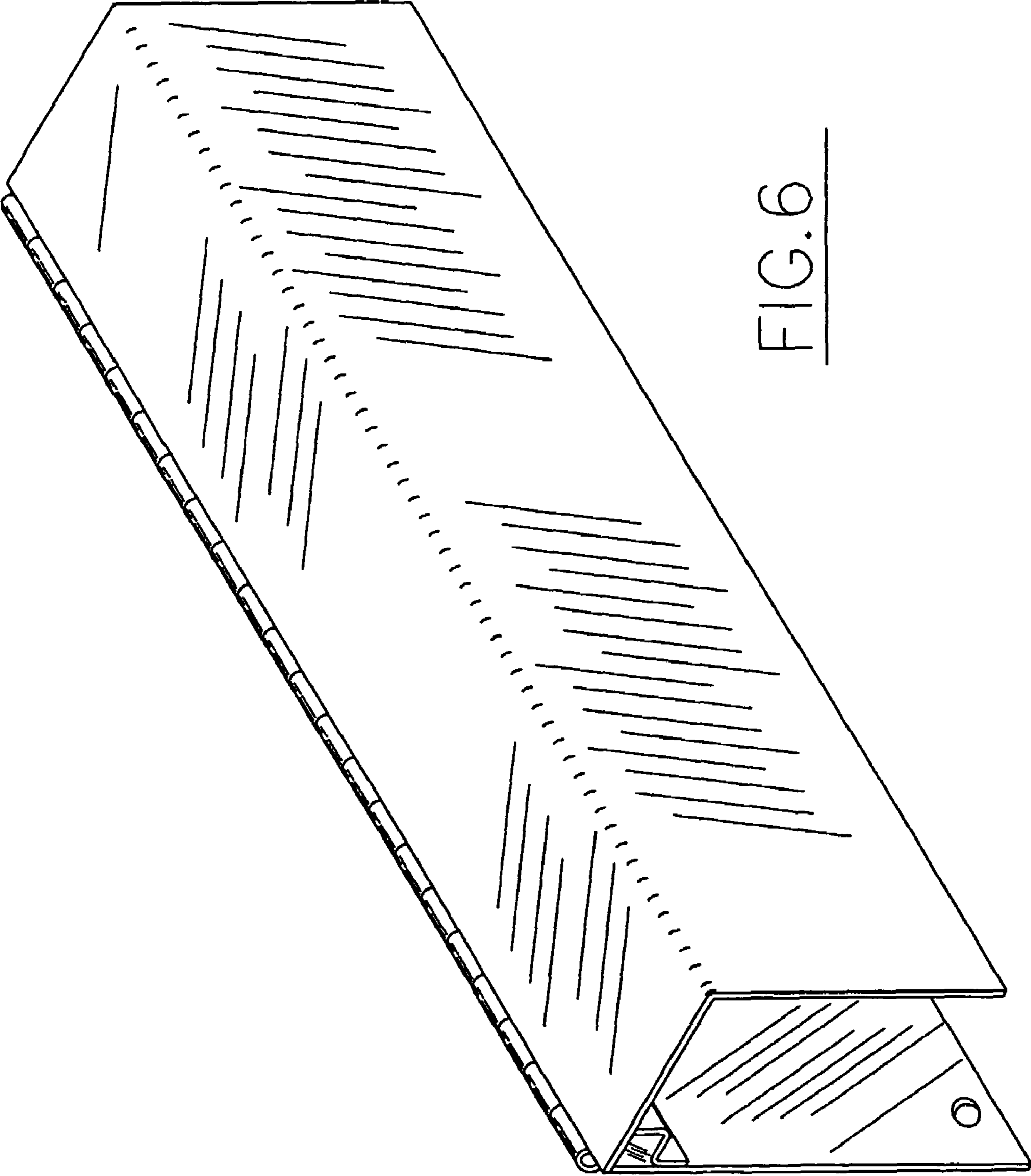


FIG. 6