



US00D606259S

(12) **United States Design Patent**  
**Emminger**

(10) **Patent No.:** **US D606,259 S**  
(45) **Date of Patent:** **\*\* Dec. 15, 2009**

(54) **HAIR CUTTING MACHINE**

(75) Inventor: **Gerd Emminger**, Niedereschach (DE)

(73) Assignee: **WAHL GmbH**, Unterkirnach (DE)

(\*\*) Term: **14 Years**

(21) Appl. No.: **29/310,171**

(22) Filed: **Jul. 30, 2008**

(30) **Foreign Application Priority Data**

Feb. 6, 2008 (EM) ..... 000873880

(51) **LOC (9) Cl.** ..... **28-03**

(52) **U.S. Cl.** ..... **D28/53**

(58) **Field of Classification Search** ..... D28/49-54;  
30/32, 34.05, 34.1, 34.2, 35, 41.9, 43, 43.1-43.92,  
30/42, 44-46, 527, 196, 201, 233, 223, 233.5  
See application file for complete search history.

(56) **References Cited**

**U.S. PATENT DOCUMENTS**

- D310,734 S \* 9/1990 Gallanis ..... D28/53
- D319,712 S \* 9/1991 Nikolaus ..... D28/53
- D435,694 S \* 12/2000 Leberherz ..... D28/53
- D455,864 S \* 4/2002 Rizzuto et al. .... D28/53
- D456,096 S \* 4/2002 Rizzuto et al. .... D28/53
- D462,482 S \* 9/2002 Rizzuto et al. .... D28/53
- D466,650 S \* 12/2002 Muller et al. .... D28/53
- D490,934 S \* 6/2004 Graf ..... D28/53

- D493,573 S \* 7/2004 Graf ..... D28/53
- D495,830 S \* 9/2004 Cornelissen ..... D28/49
- D514,255 S \* 1/2006 Bokelman-Dumas ..... D28/53

**FOREIGN PATENT DOCUMENTS**

WO DM/048277 5/1999

\* cited by examiner

*Primary Examiner*—Jennifer Rivard

(74) *Attorney, Agent, or Firm*—Muirhead and Saturnelli, LLC

(57) **CLAIM**

The ornamental design for a hair cutting machine, as shown and described.

**DESCRIPTION**

FIG. 1 is a front perspective view showing the new design according to an embodiment;

FIG. 2 is a front elevational view thereof;

FIG. 3 is a right elevational view thereof;

FIG. 4 is a rear elevational view thereof;

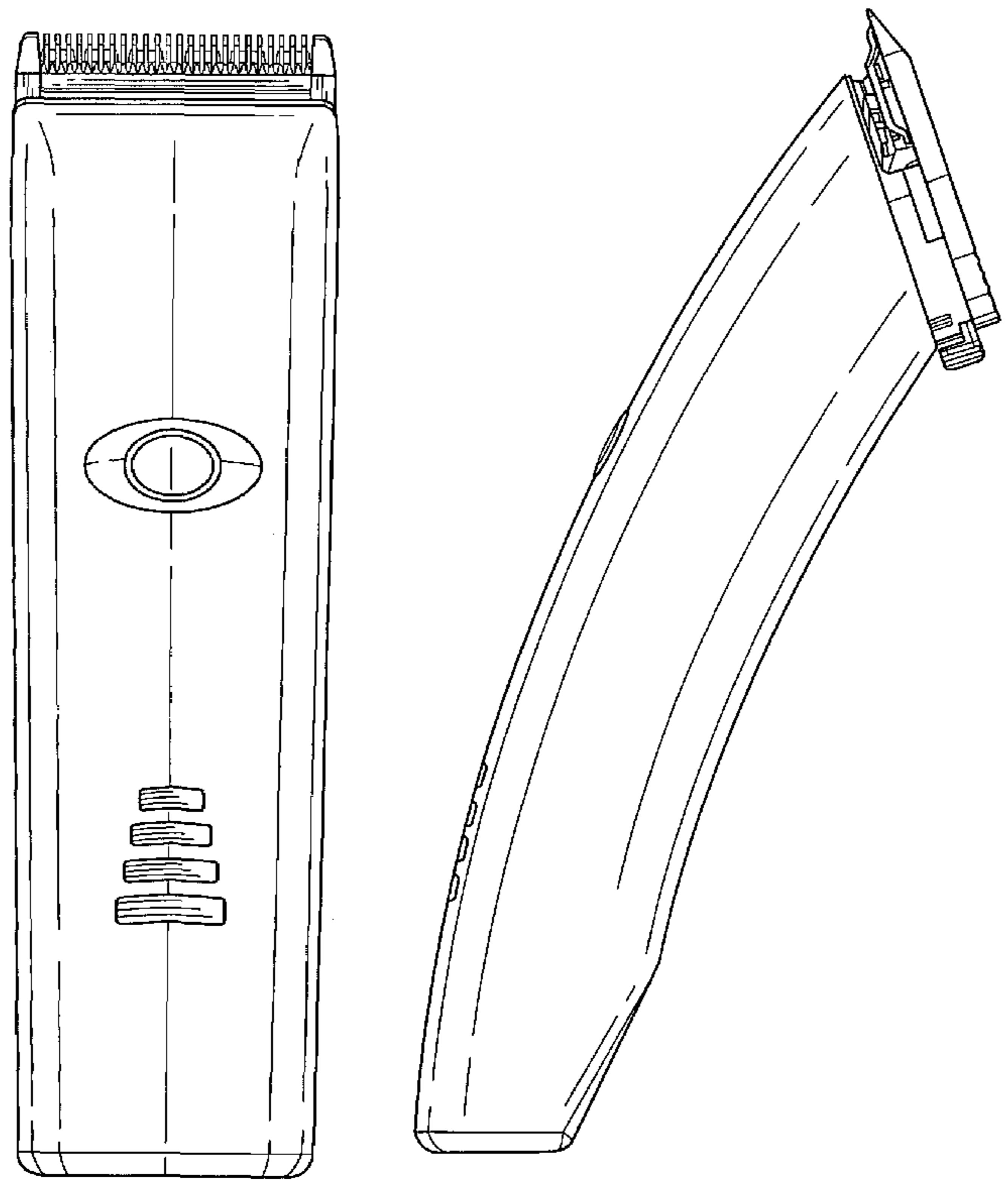
FIG. 5 is a left elevational view thereof;

FIG. 6 is a top plan view thereof; and,

FIG. 7 is a bottom plan view thereof.

The broken lines shown in the drawings illustrate portions of environmental structure and form no part of the claimed design.

**1 Claim, 7 Drawing Sheets**



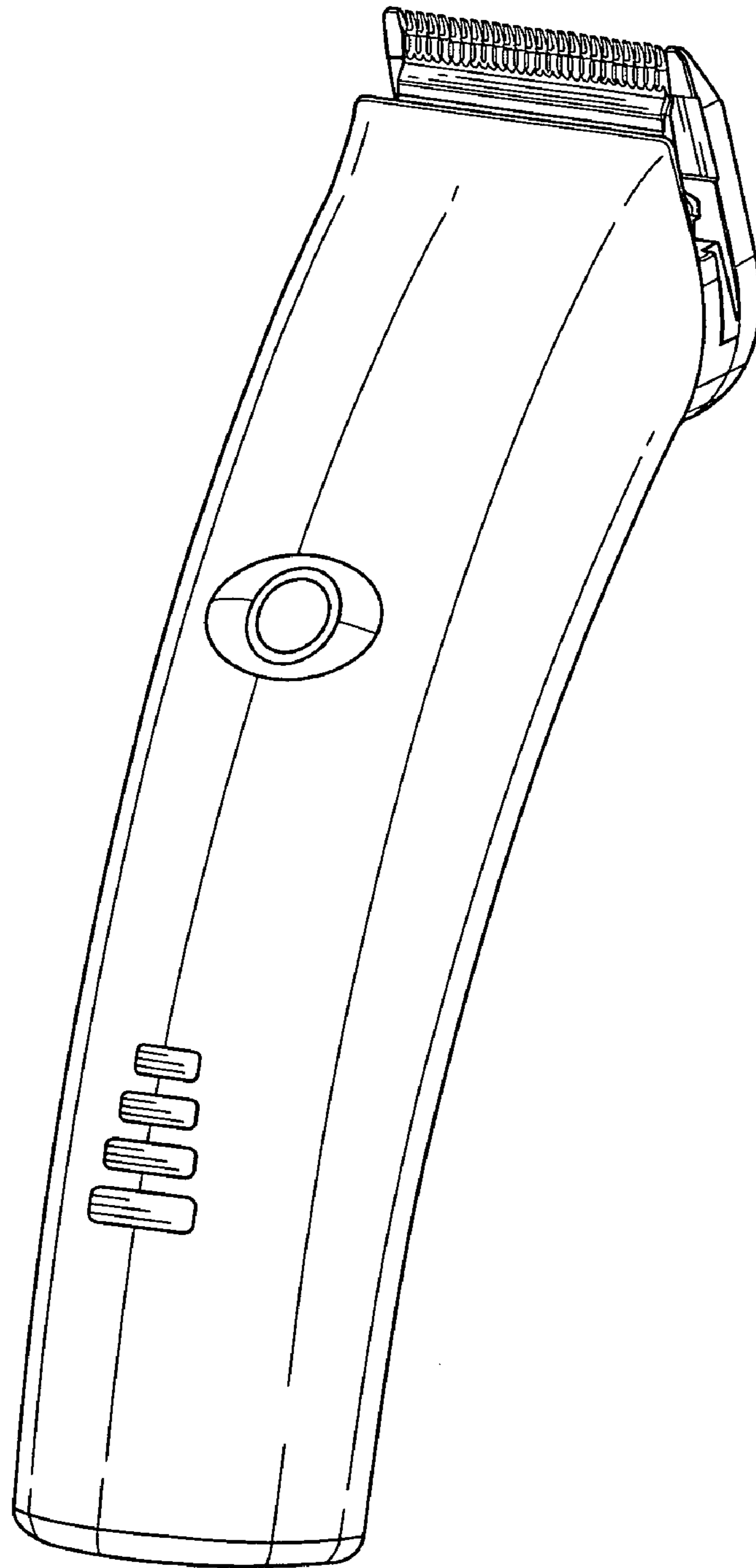


FIG. 1

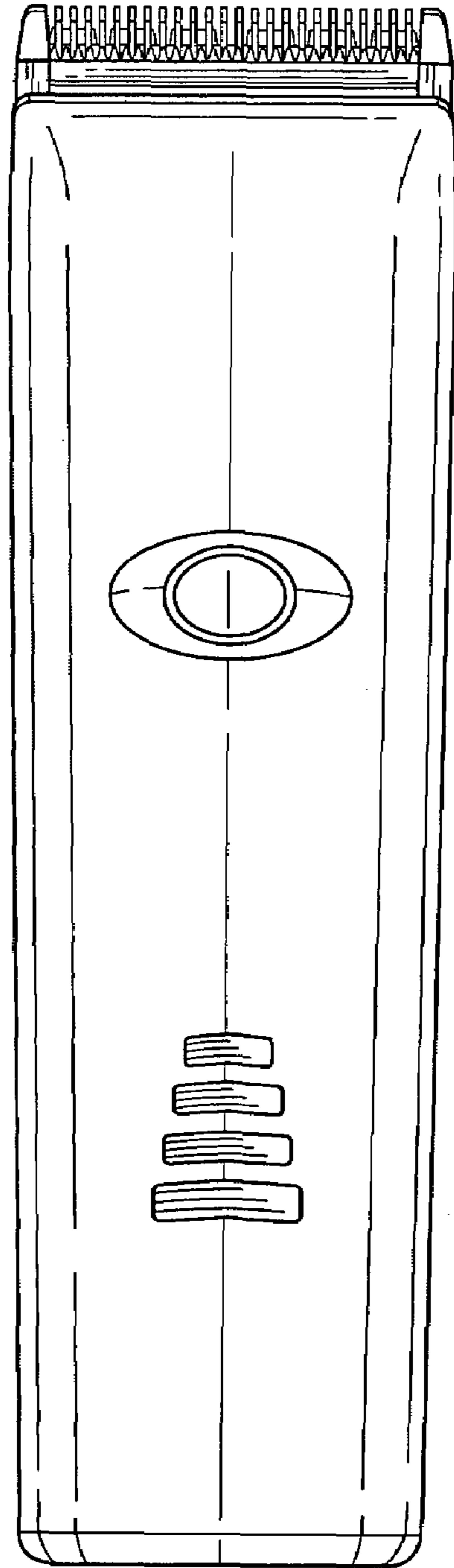


FIG. 2

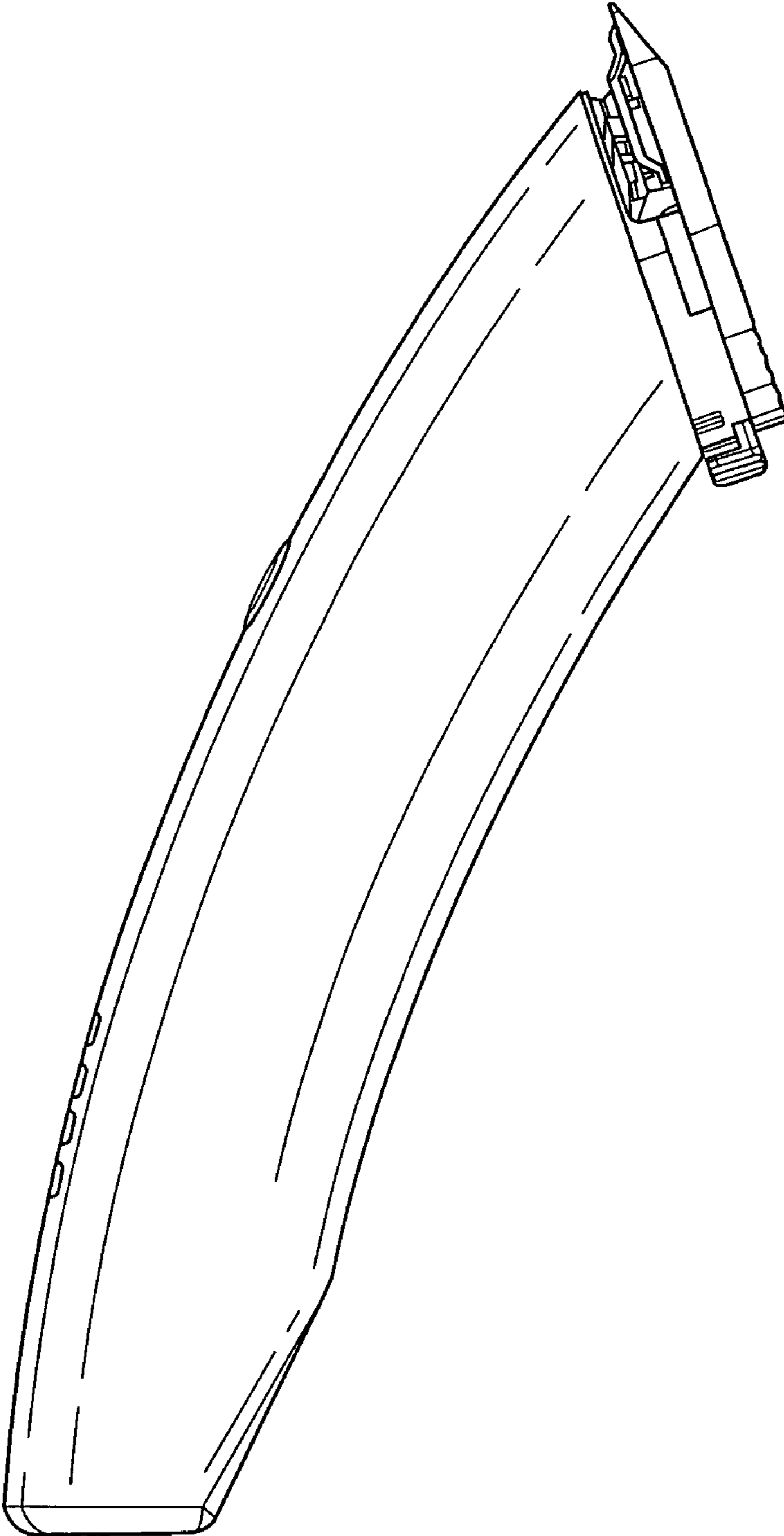


FIG. 3

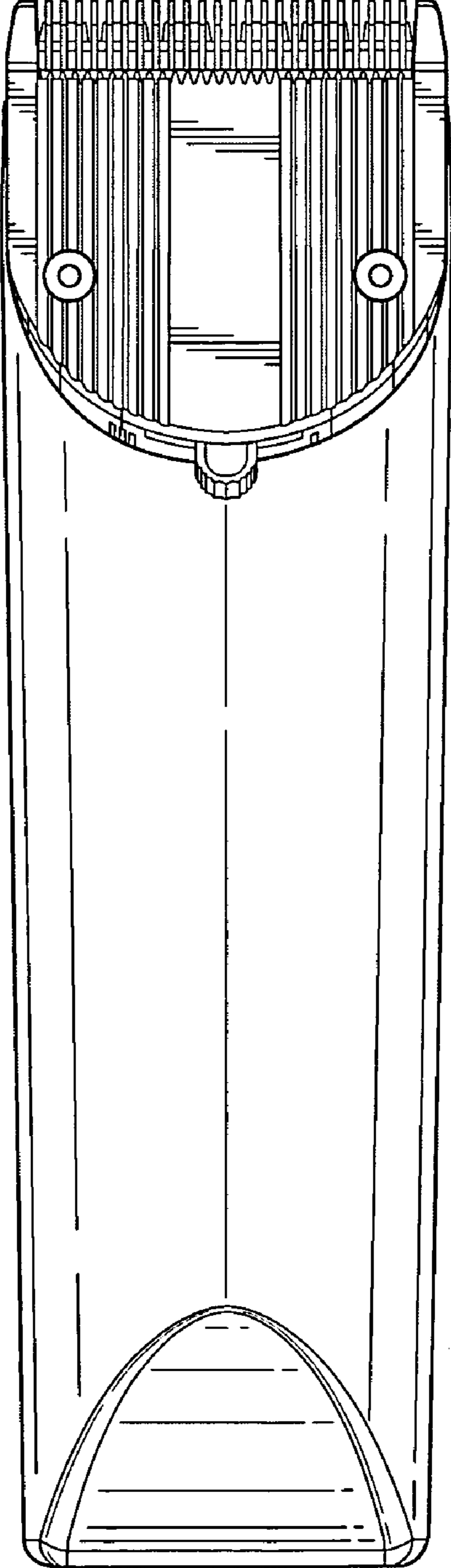


FIG. 4

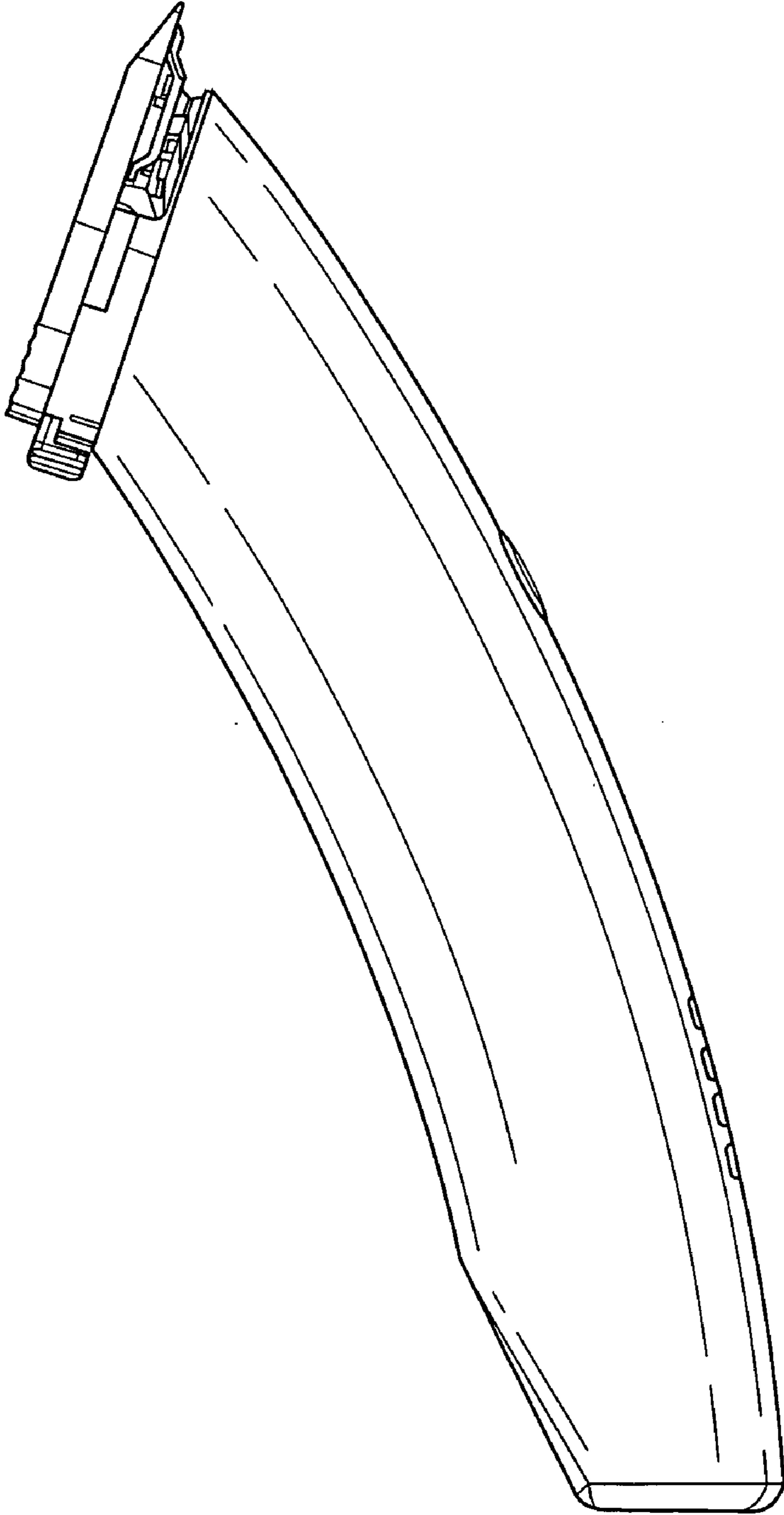


FIG. 5

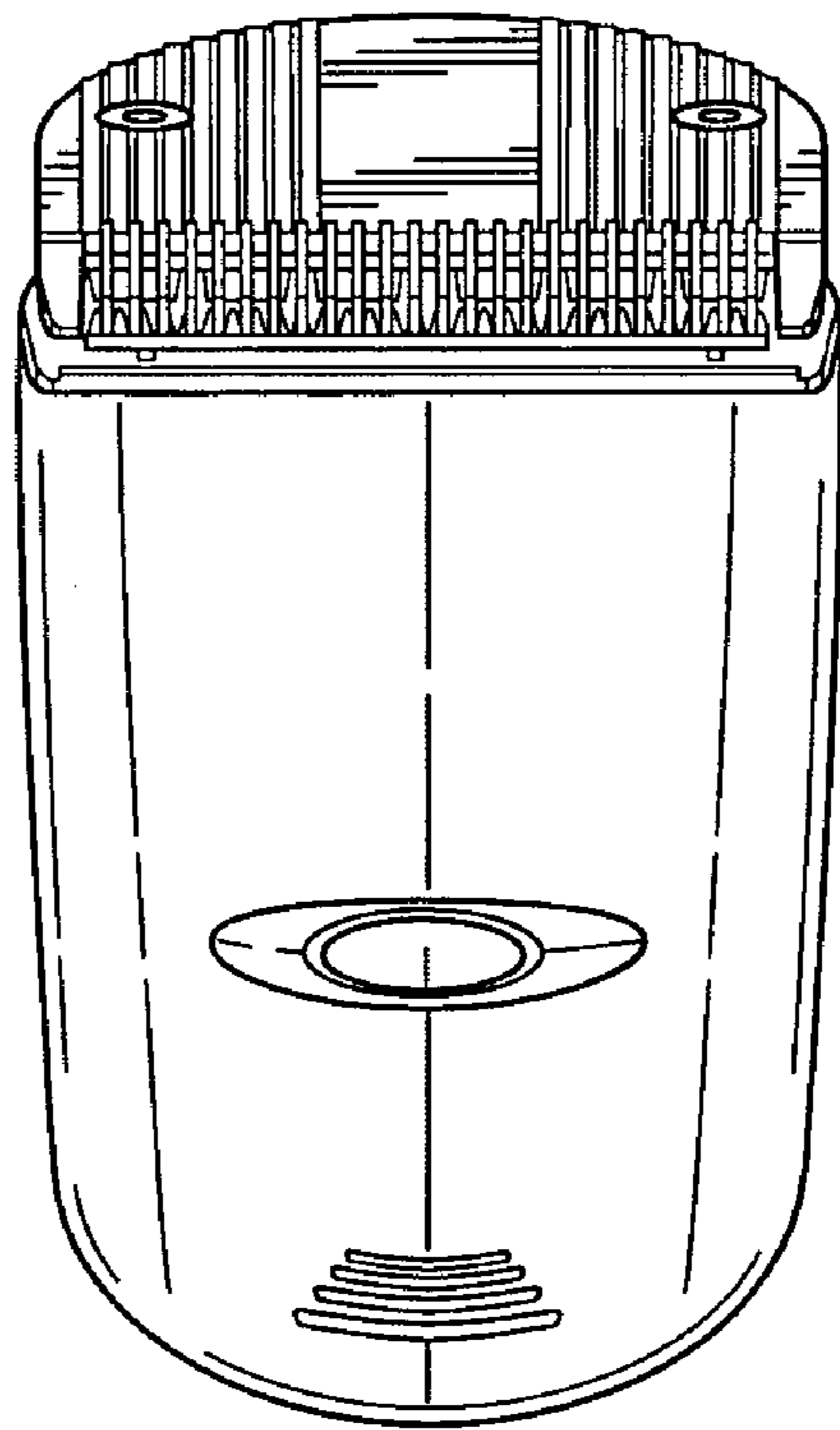


FIG. 6

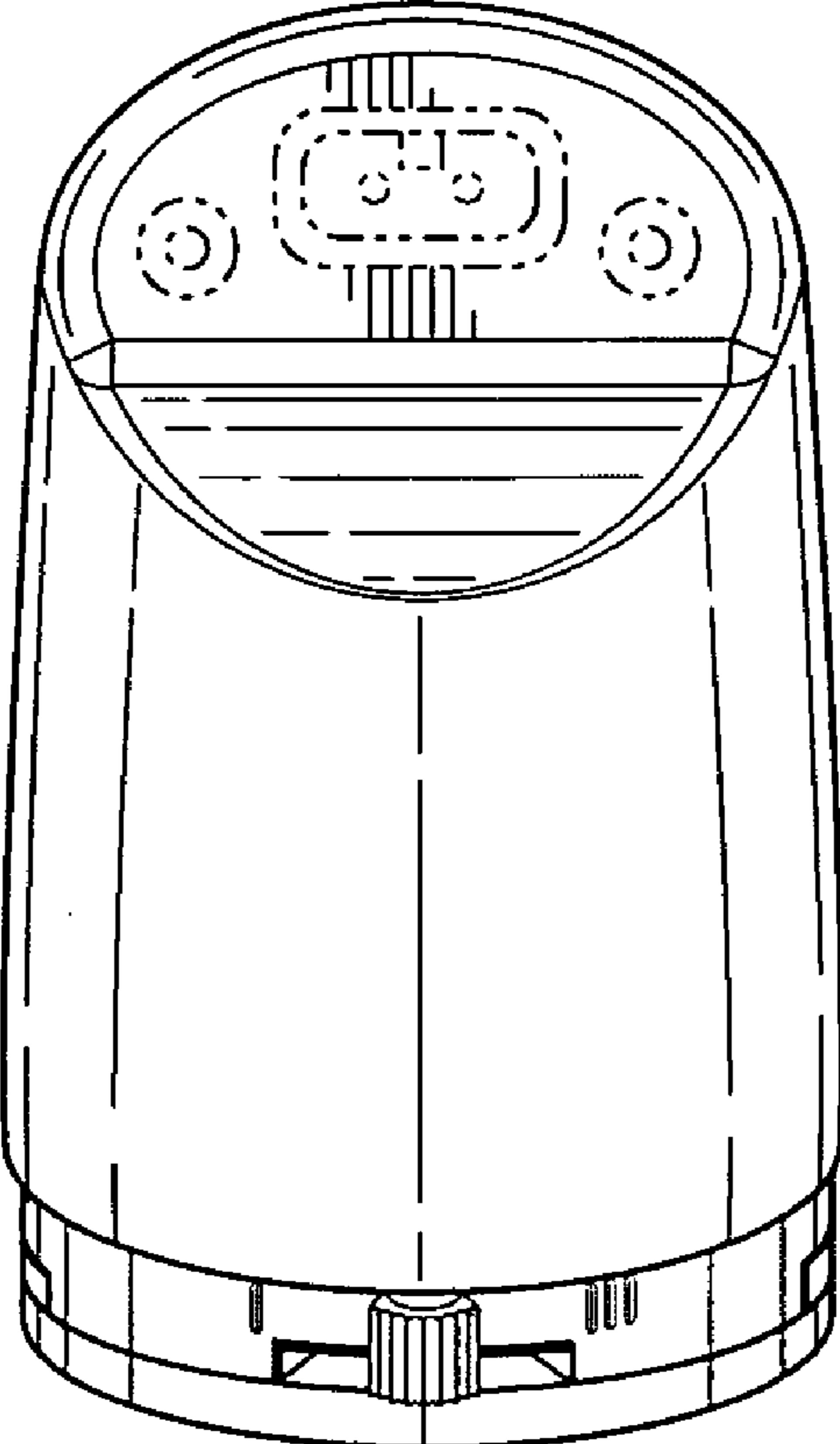


FIG. 7