



US00D606258S

(12) **United States Design Patent**
Leung

(10) **Patent No.:** **US D606,258 S**
(45) **Date of Patent:** **** Dec. 15, 2009**

(54) **STYLER**

(75) **Inventor:** **Anthony Kit Lun Leung**, North Point
(HK)

(73) **Assignee:** **Conair Corporation**, Stamford, CT
(US)

(**) **Term:** **14 Years**

(21) **Appl. No.:** **29/340,710**

(22) **Filed:** **Jul. 23, 2009**

(51) **LOC (9) Cl.** **28-03**

(52) **U.S. Cl.** **D28/35**

(58) **Field of Classification Search** D28/35-38;
132/222-229, 232, 234, 236, 245; 219/222,
219/225-226, 227

See application file for complete search history.

(56) **References Cited**

U.S. PATENT DOCUMENTS

D526,087 S *	8/2006	Seizer	D28/35
D559,448 S *	1/2008	Leung	D28/35
D561,936 S *	2/2008	Leung	D28/35
D569,549 S *	5/2008	Leung	D28/35
D570,542 S *	6/2008	Leung	D28/35
D581,591 S *	11/2008	Hein	D28/35
D596,793 S *	7/2009	Kwok	D28/35

D596,795 S *	7/2009	Keong	D28/35
D596,801 S *	7/2009	Keong	D28/35
2008/0041409 A1 *	2/2008	Leung	132/224
2009/0107518 A1 *	4/2009	Cohen	132/224

* cited by examiner

Primary Examiner—Jennifer Rivard

(74) *Attorney, Agent, or Firm*—Lawrence Cruz

(57) **CLAIM**

The ornamental design for a styler, as shown and described.

DESCRIPTION

FIG. 1 is a perspective view of a styler showing a new design;

FIG. 2 is a perspective view showing the left side thereof;

FIG. 3 is a front view thereof in a closed position;

FIG. 4 is a rear side view thereof;

FIG. 5 is a right side view thereof;

FIG. 6 is a left side view thereof;

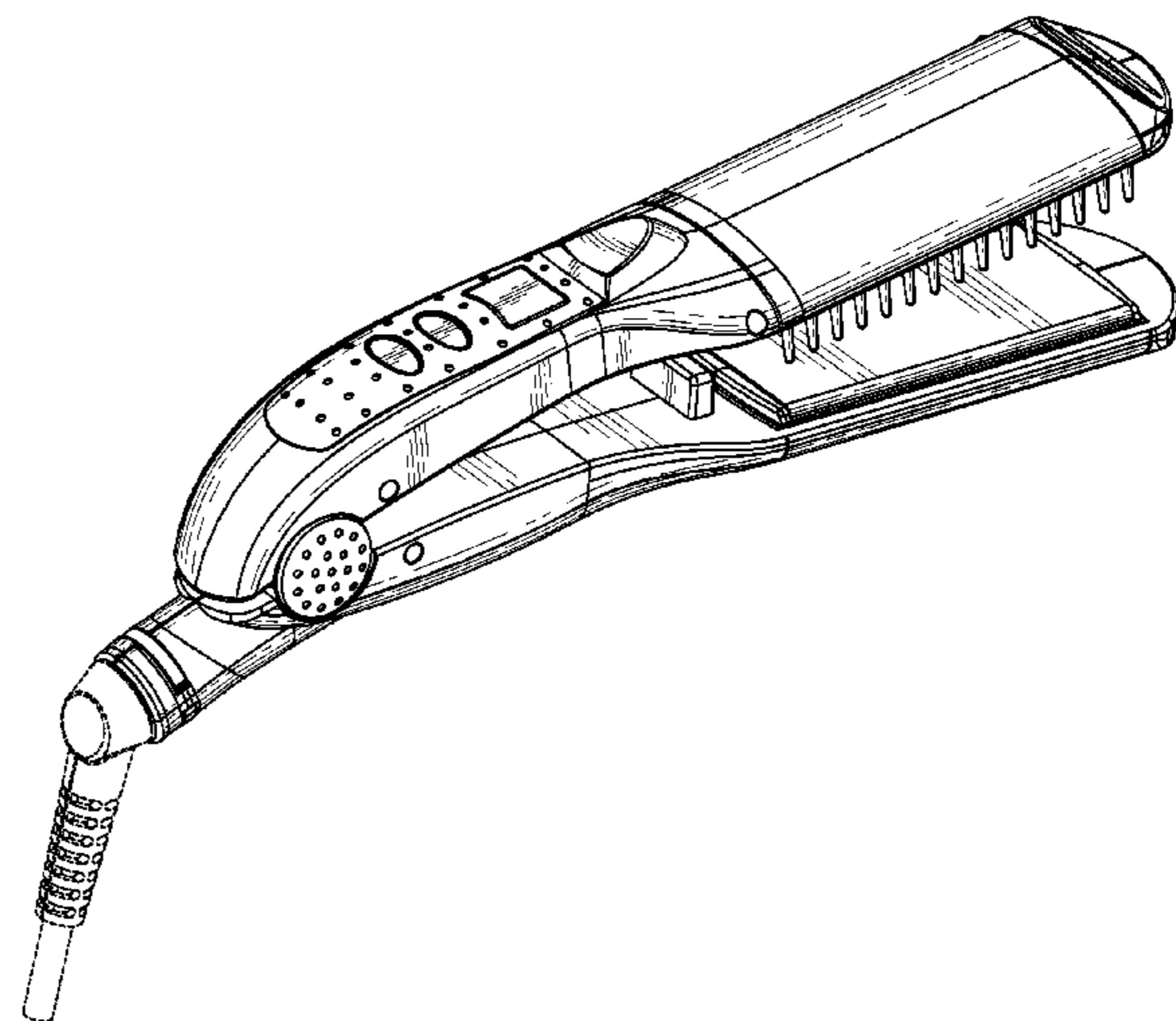
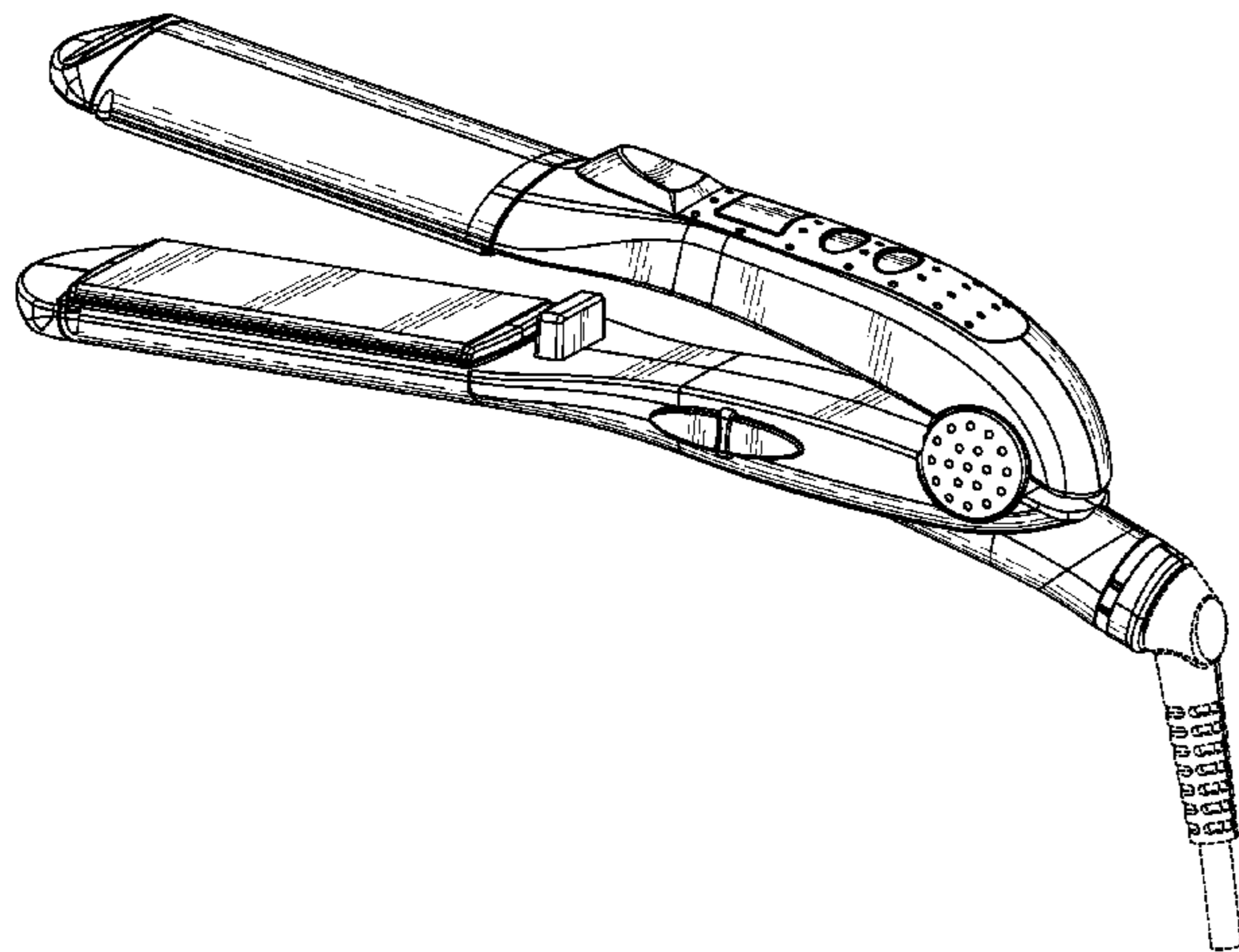
FIG. 7 is a top view thereof;

FIG. 8 is a bottom view thereof; and,

FIG. 9 is a right side view thereof in an open position.

The broken lines are for illustrative purposes only and form no part of the claimed design.

1 Claim, 6 Drawing Sheets



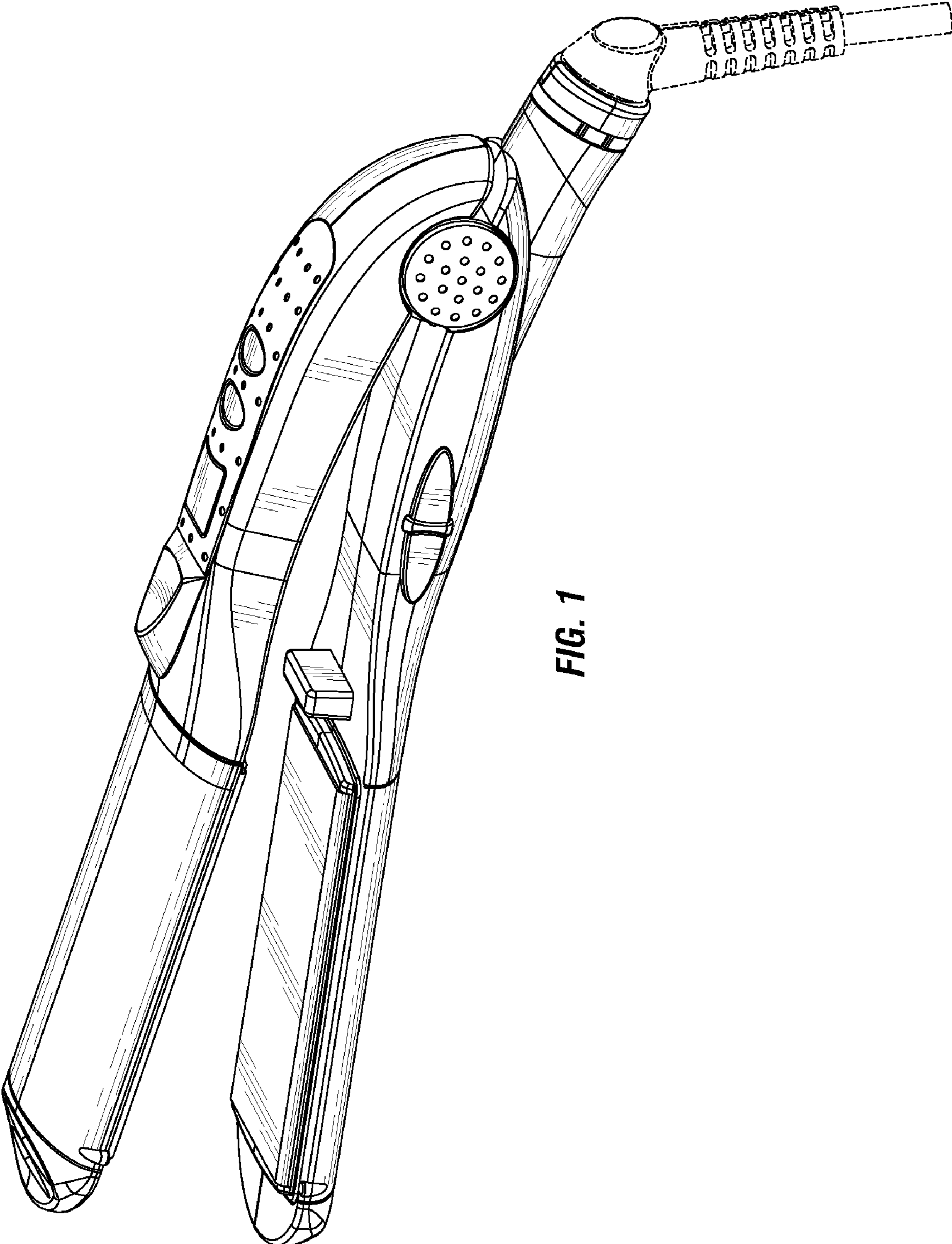


FIG. 1

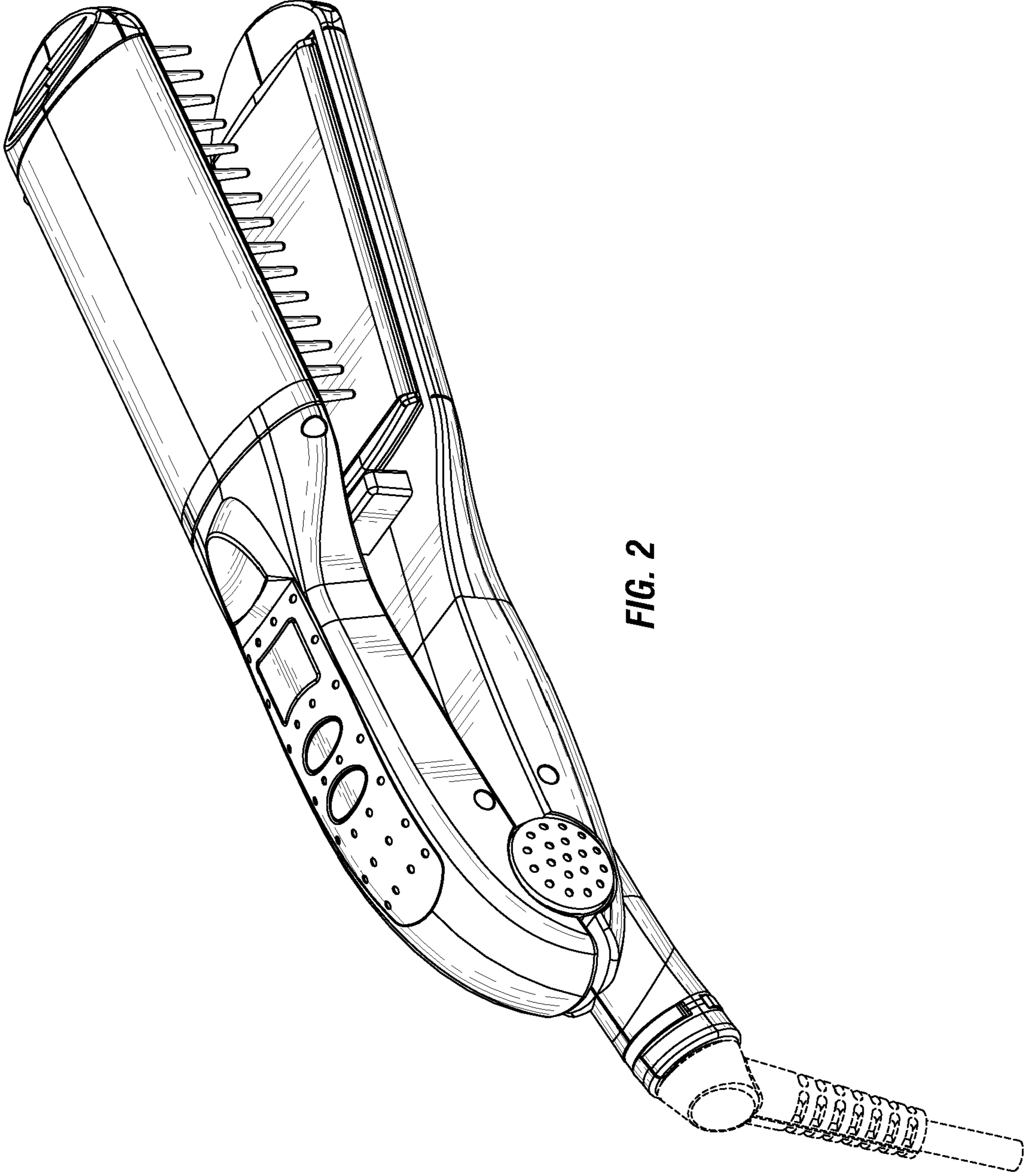


FIG. 2

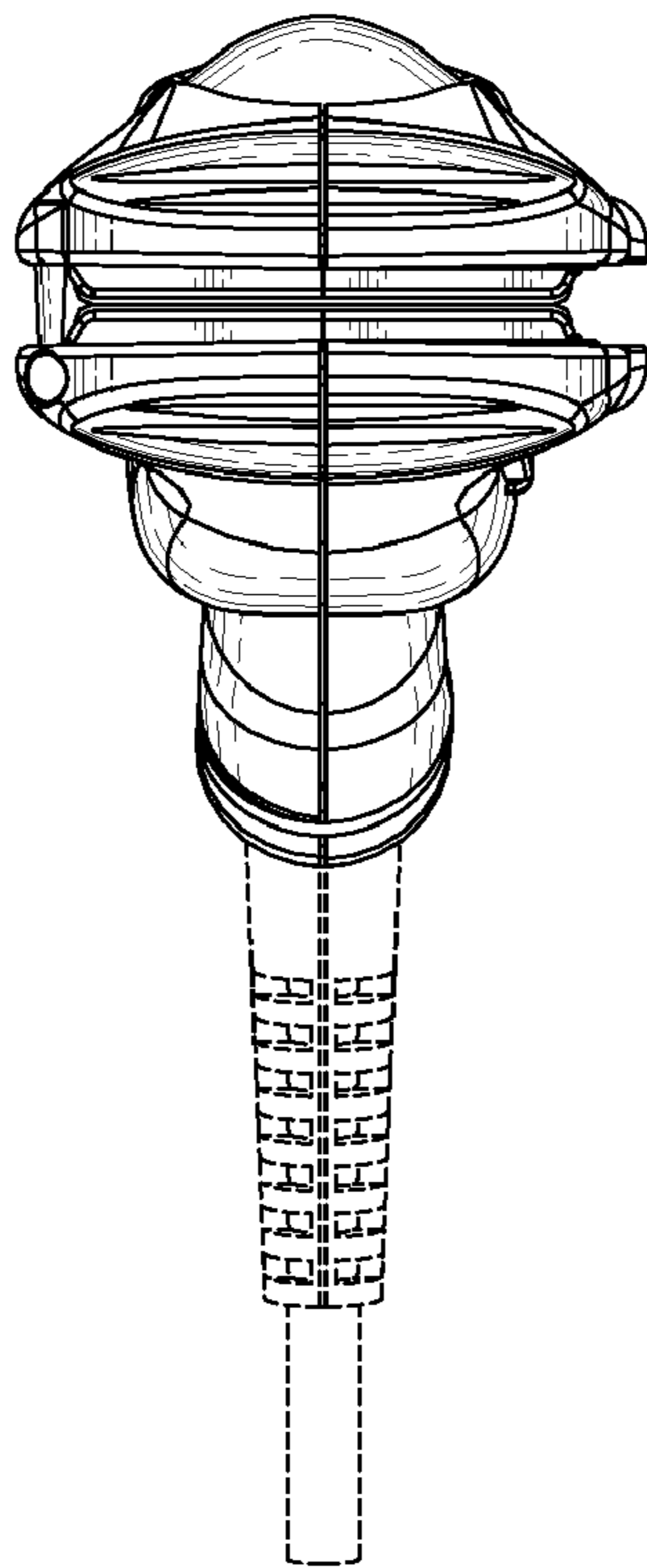


FIG. 3

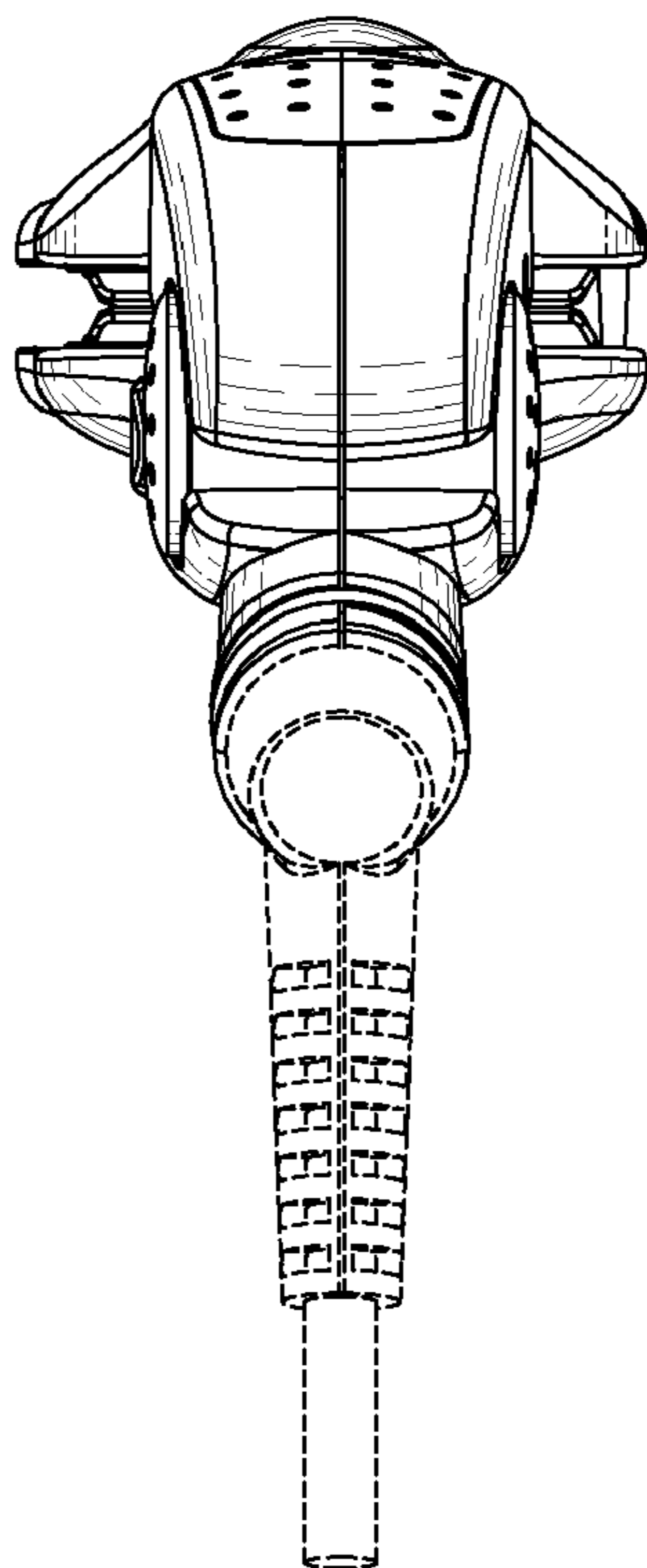


FIG. 4

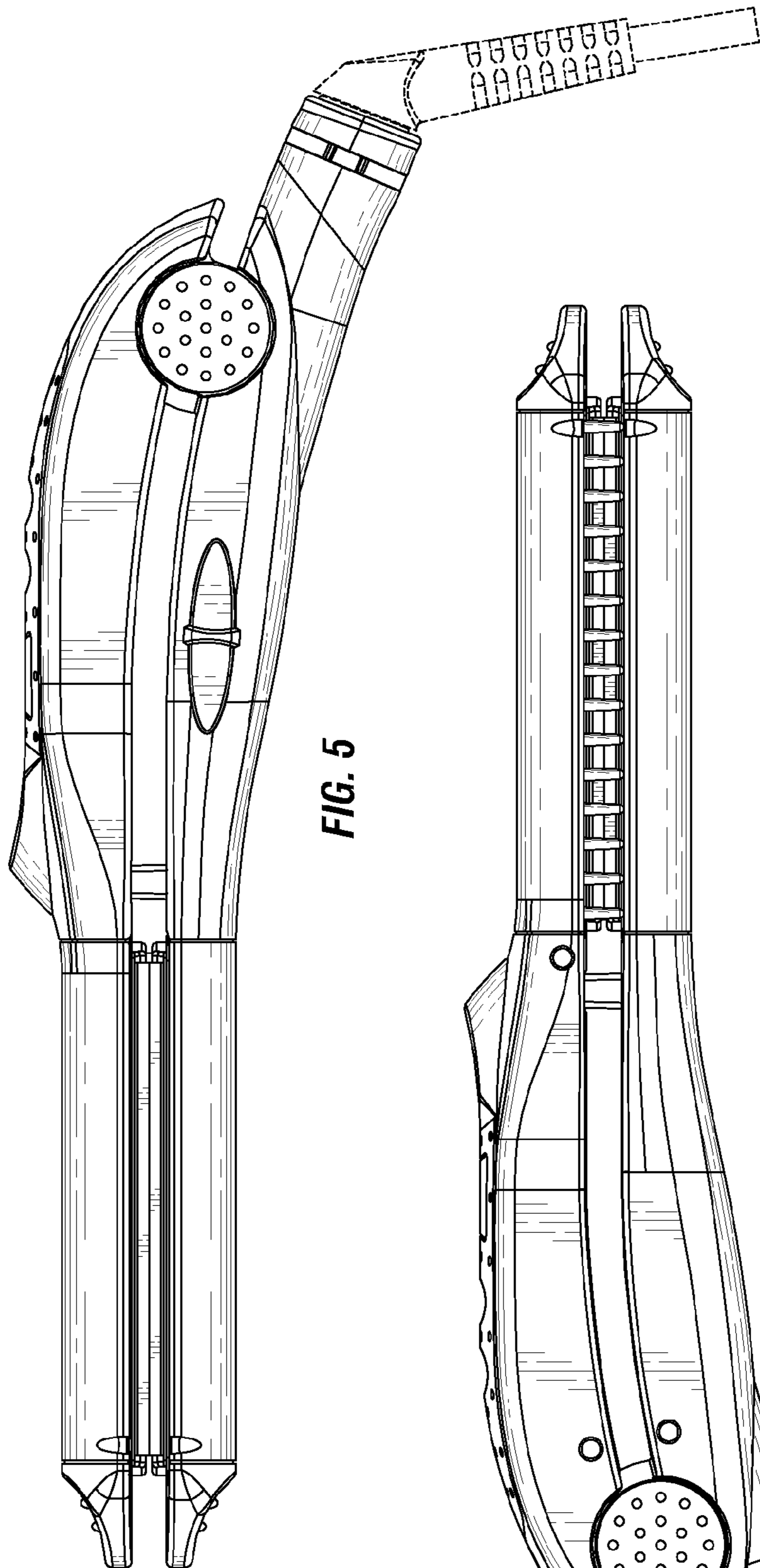


FIG. 5

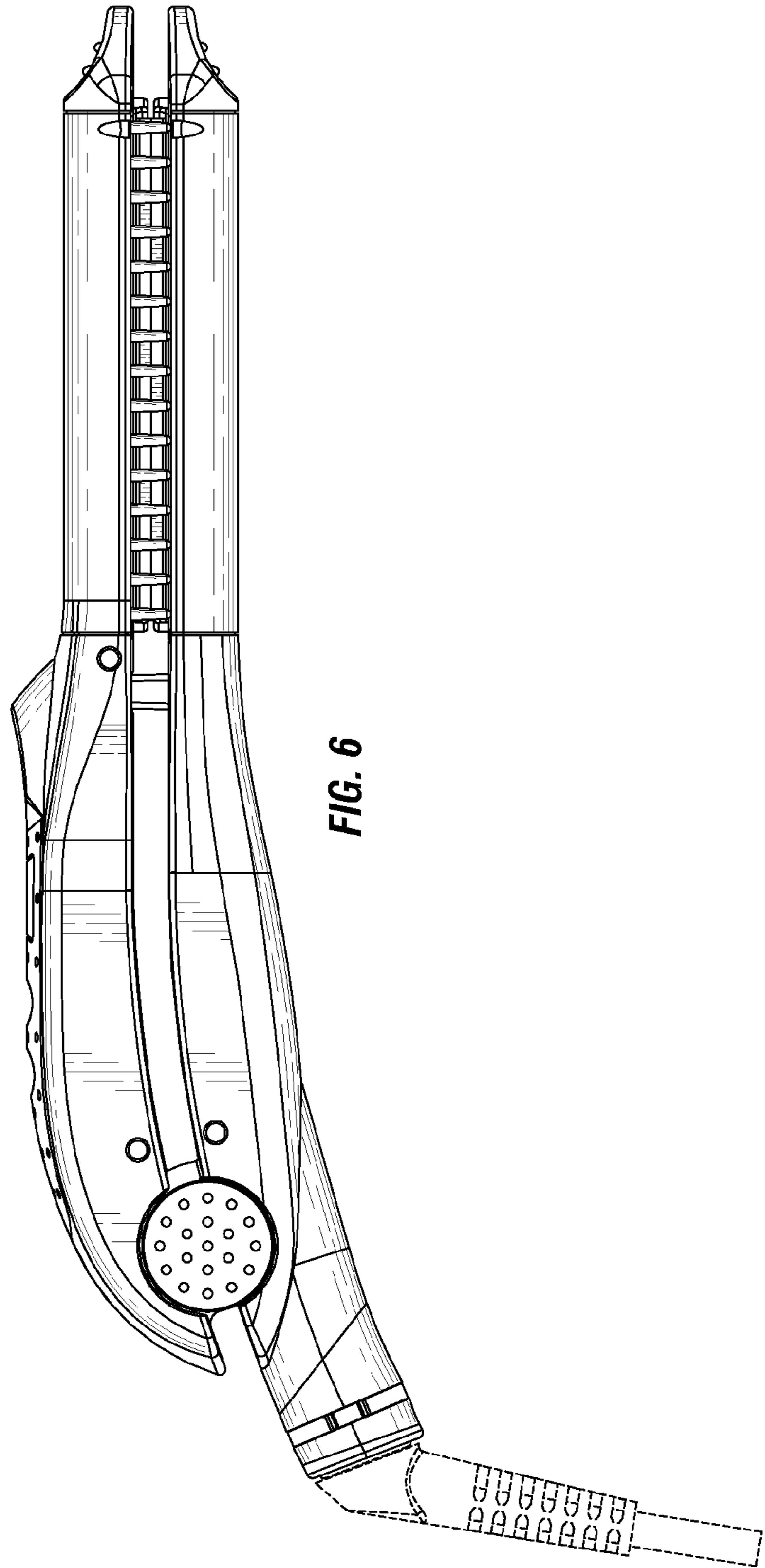


FIG. 6

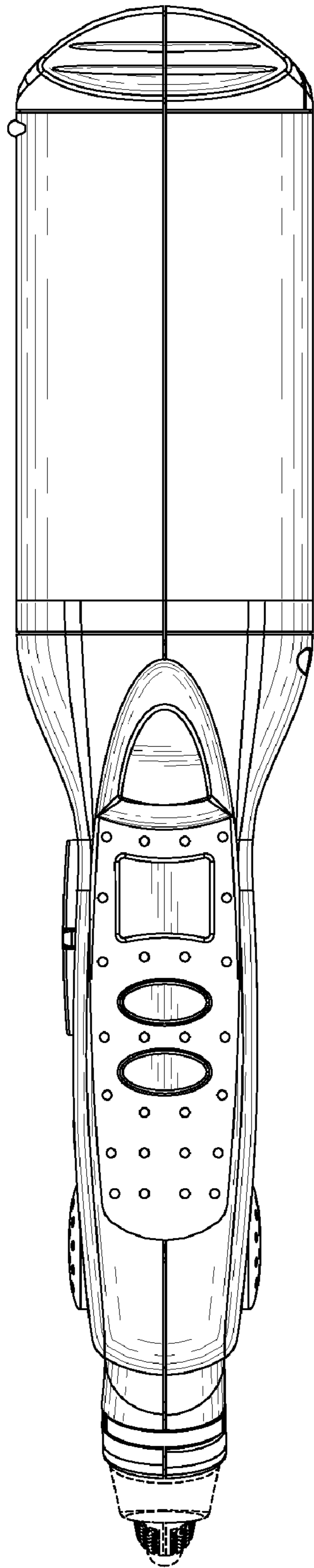


FIG. 7

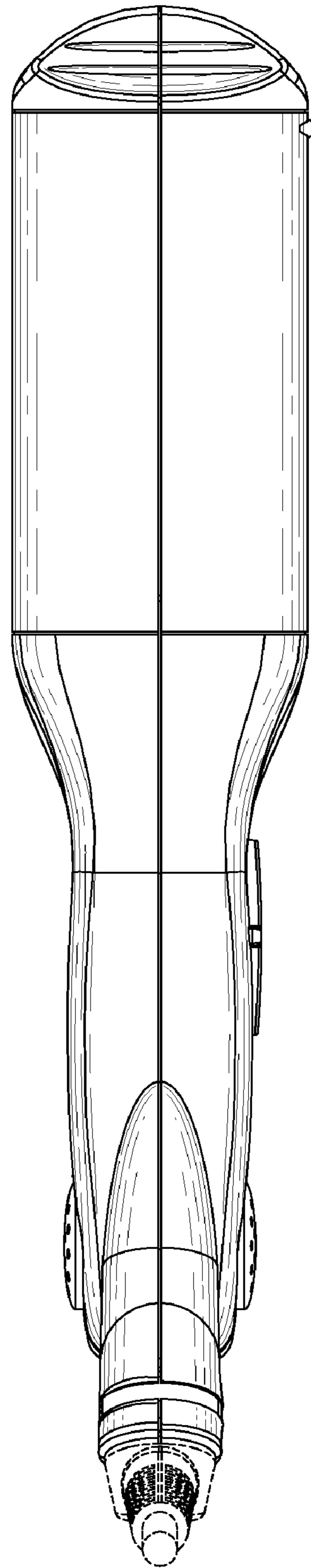


FIG. 8

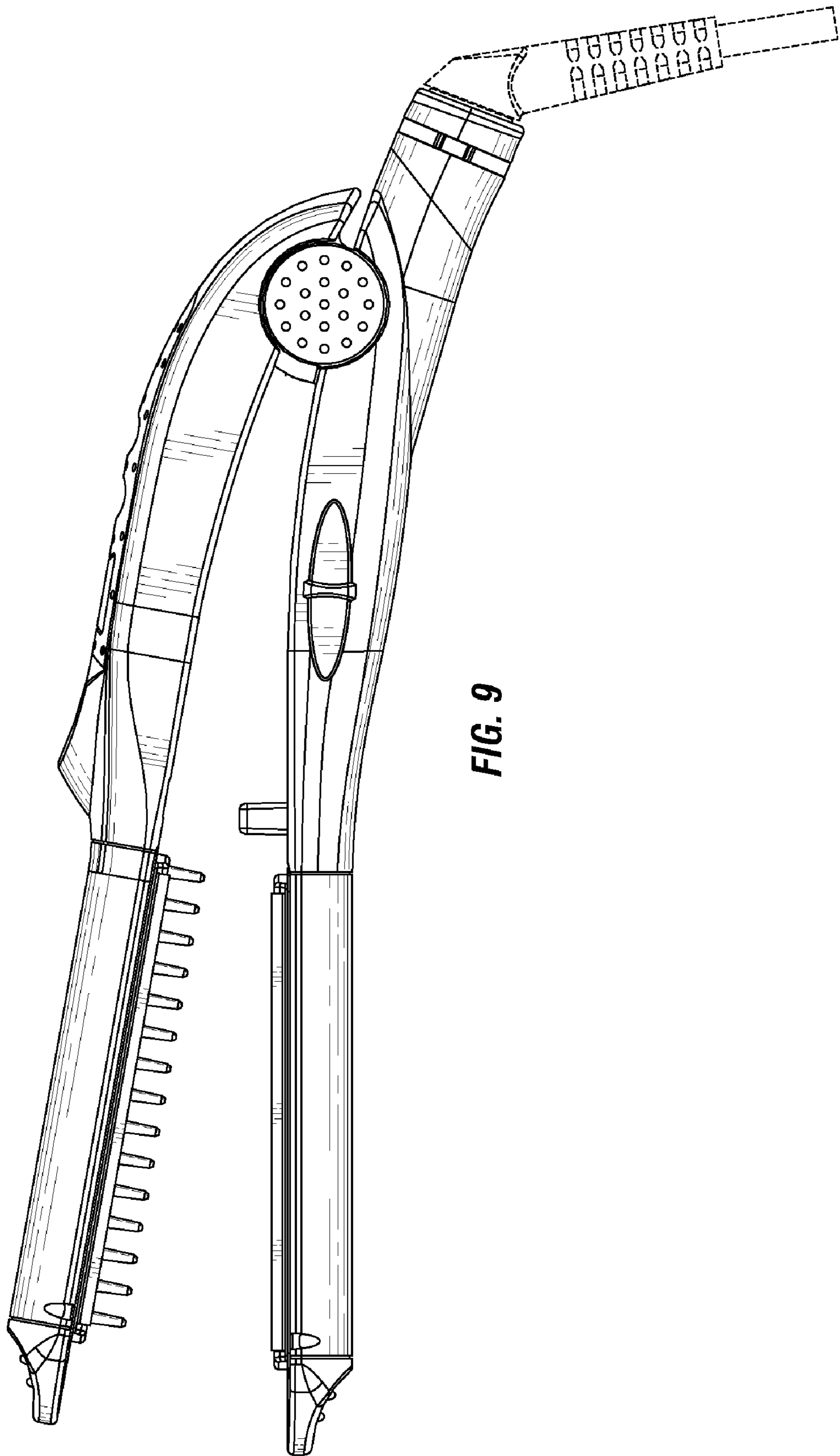


FIG. 9