



US00D606257S

(12) **United States Design Patent**  
**Leung**

(10) **Patent No.:** **US D606,257 S**

(45) **Date of Patent:** **\*\* Dec. 15, 2009**

(54) **STYLER**

(75) Inventor: **Anthony Kit Lun Leung**, North Point (HK)

(73) Assignee: **Conair Corporation**, Stamford, CT (US)

(\*\*) Term: **14 Years**

(21) Appl. No.: **29/340,701**

(22) Filed: **Jul. 23, 2009**

(51) **LOC (9) Cl.** ..... **28-03**

(52) **U.S. Cl.** ..... **D28/35**

(58) **Field of Classification Search** ..... D28/35-38;  
132/222-229, 232, 234, 236, 245; 219/222,  
219/225-226, 227

See application file for complete search history.

(56) **References Cited**

**U.S. PATENT DOCUMENTS**

D559,447 S \* 1/2008 Leung ..... D28/35

D569,549 S \* 5/2008 Leung ..... D28/35

D596,796 S \* 7/2009 Keong et al. .... D28/35

D596,801 S \* 7/2009 Keong ..... D28/35

\* cited by examiner

*Primary Examiner*—Jennifer Rivard

(74) *Attorney, Agent, or Firm*—Lawrence Cruz

(57) **CLAIM**

The ornamental design for a styler, as shown and described.

**DESCRIPTION**

FIG. 1 is a perspective side view of a styler showing a new design;

FIG. 2 is an additional perspective view thereof;

FIG. 3 is a front view thereof in a closed position;

FIG. 4 is a rear side view thereof;

FIG. 5 is a right side view thereof;

FIG. 6 is a left view thereof;

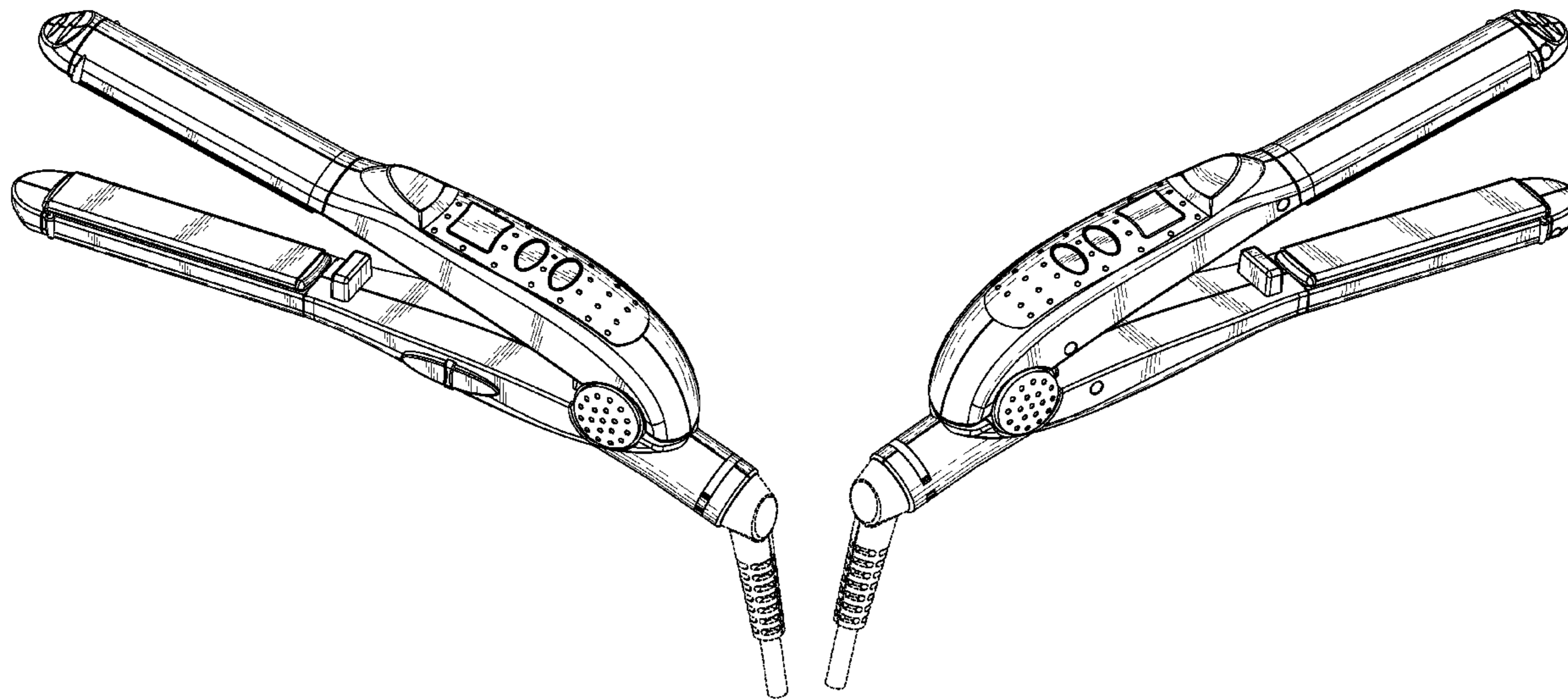
FIG. 7 is a top view thereof;

FIG. 8 is a bottom view thereof; and,

FIG. 9 is an additional right side view thereof.

The broken lines are for illustrative purposes only and form no part of the claimed design.

**1 Claim, 6 Drawing Sheets**



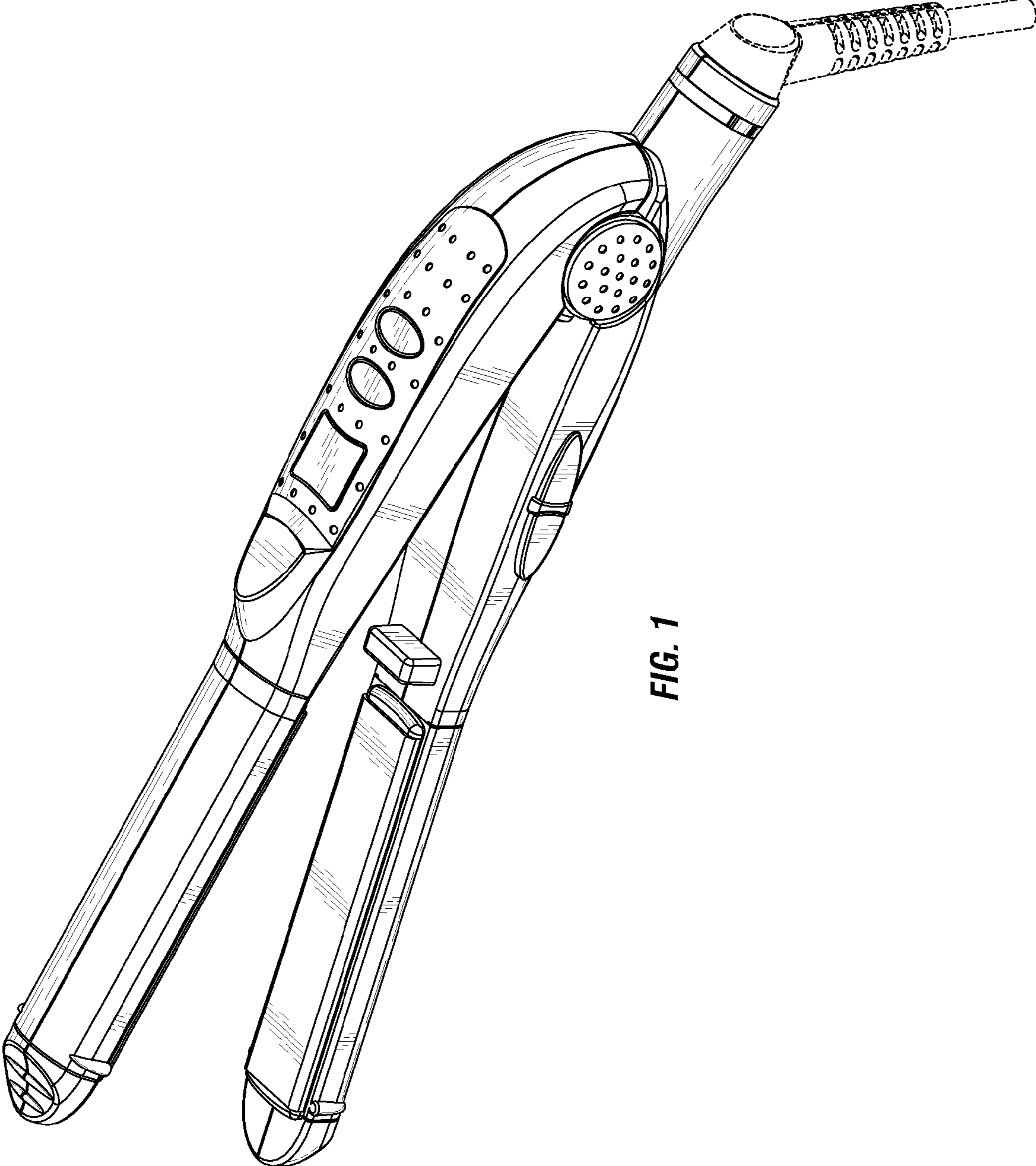


FIG. 1

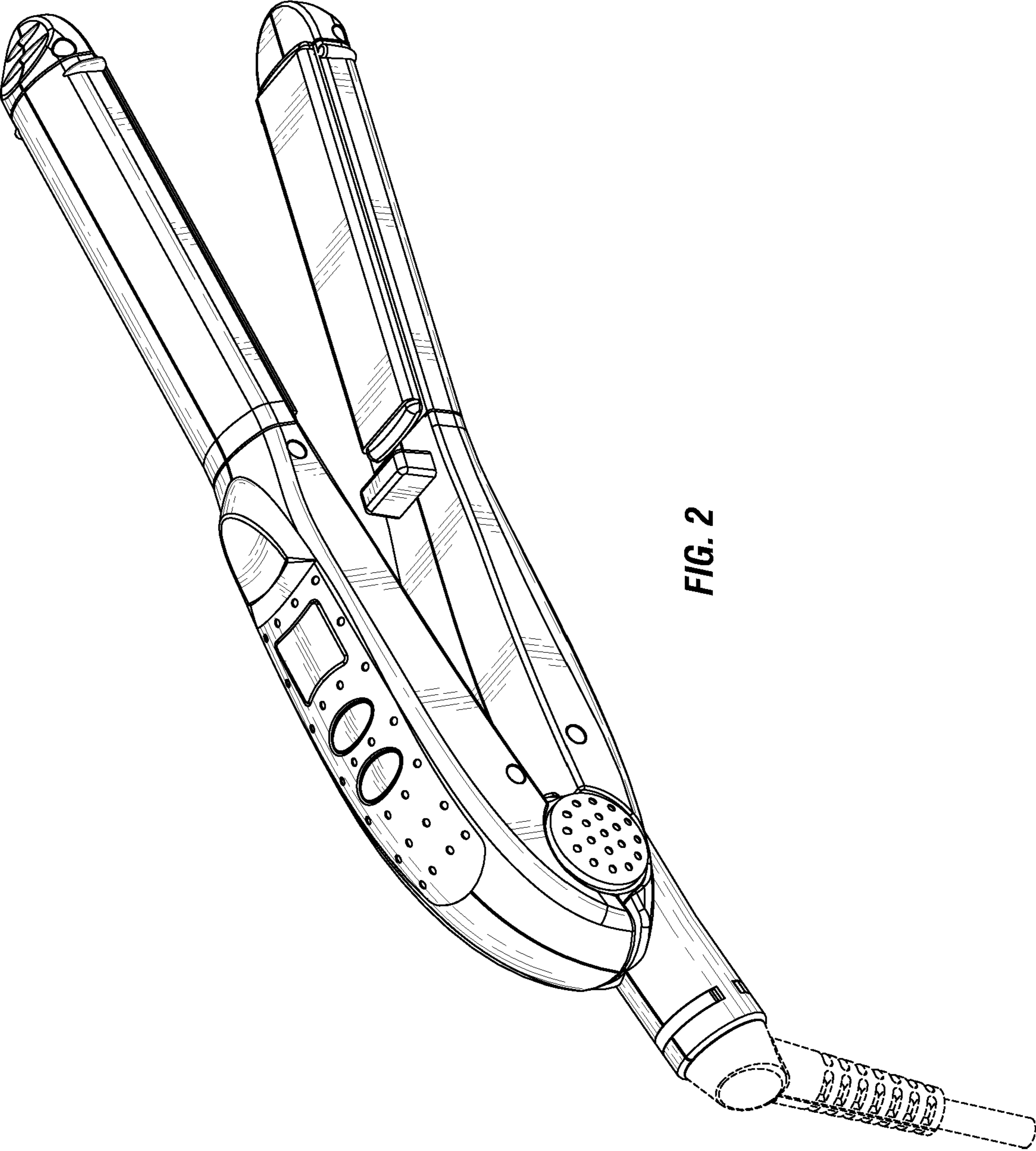
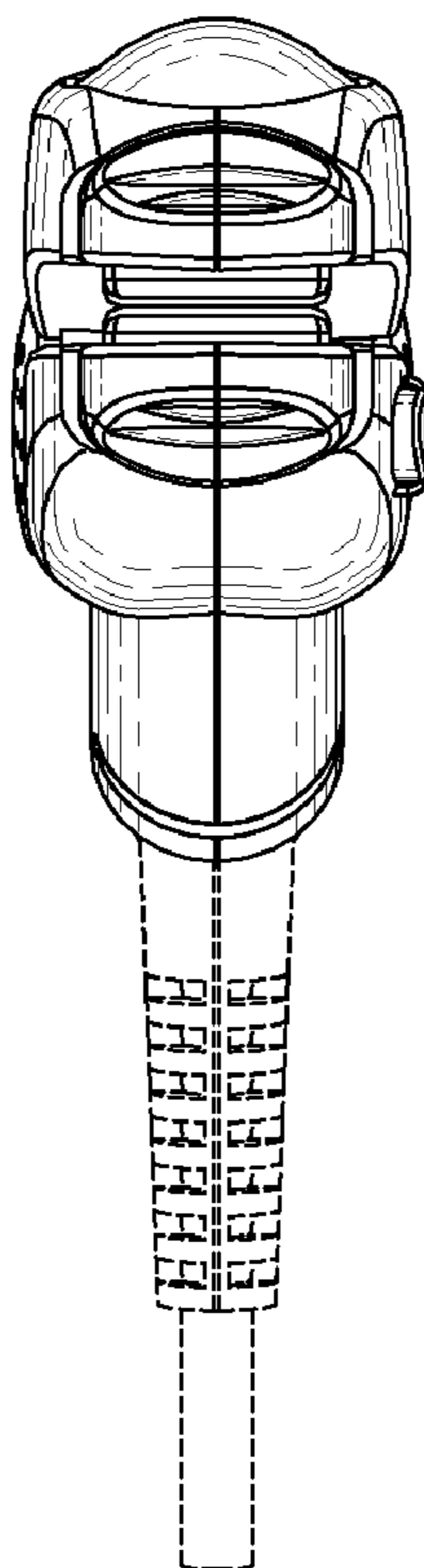
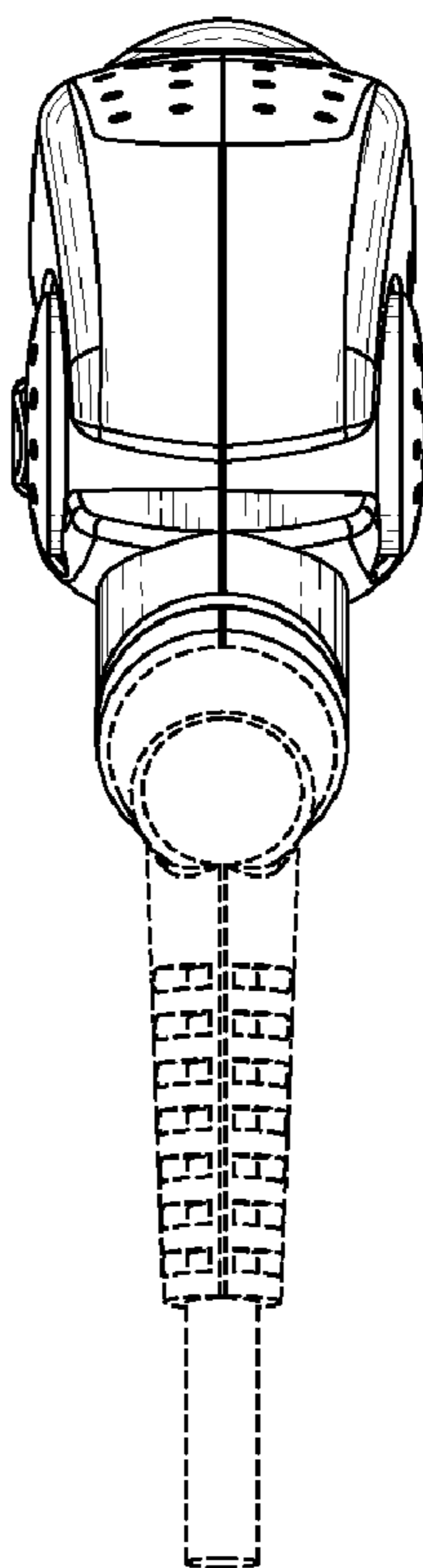


FIG. 2



**FIG. 3**



**FIG. 4**

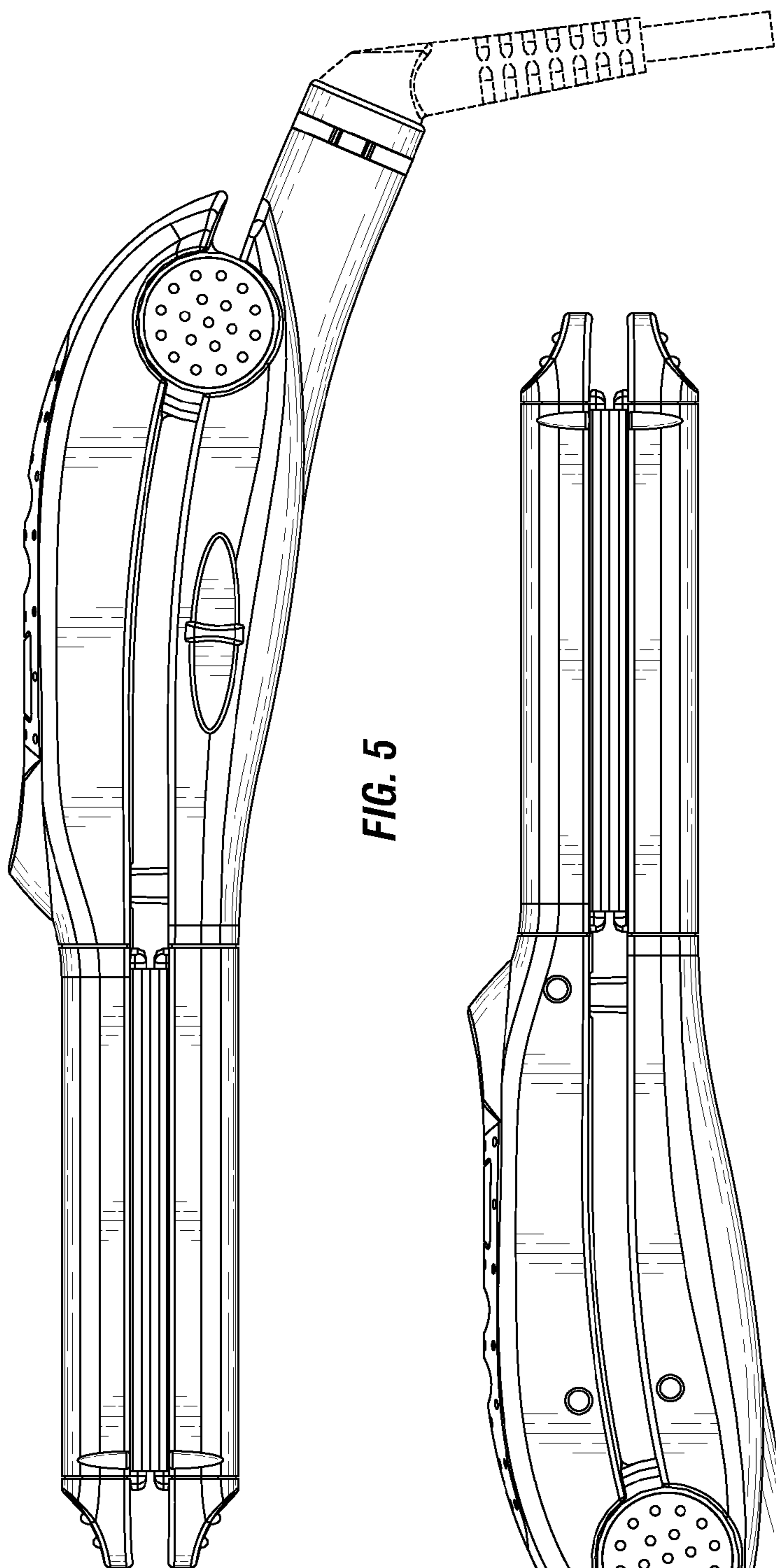


FIG. 5

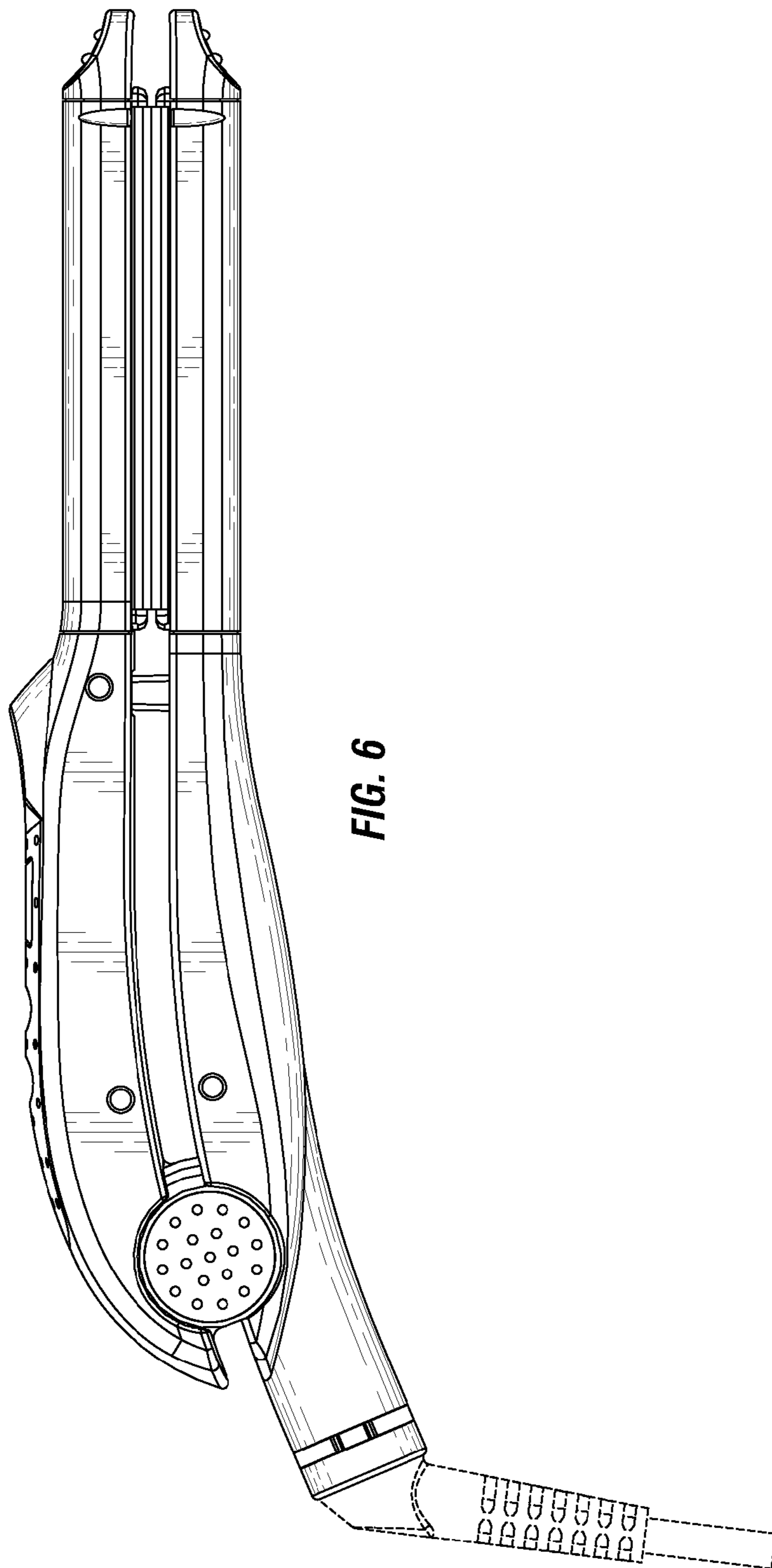
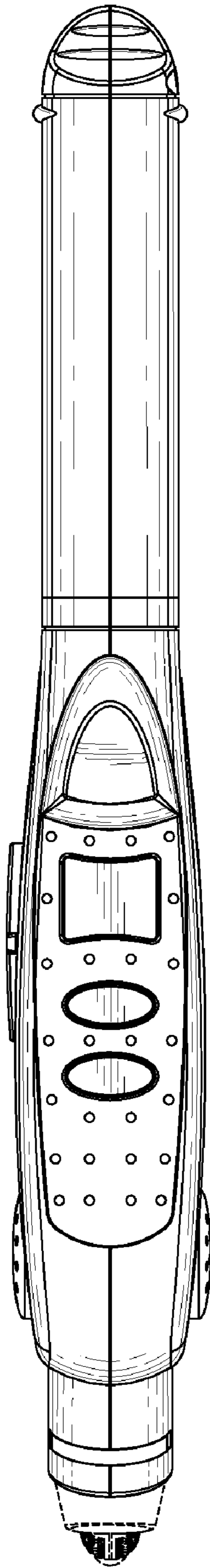
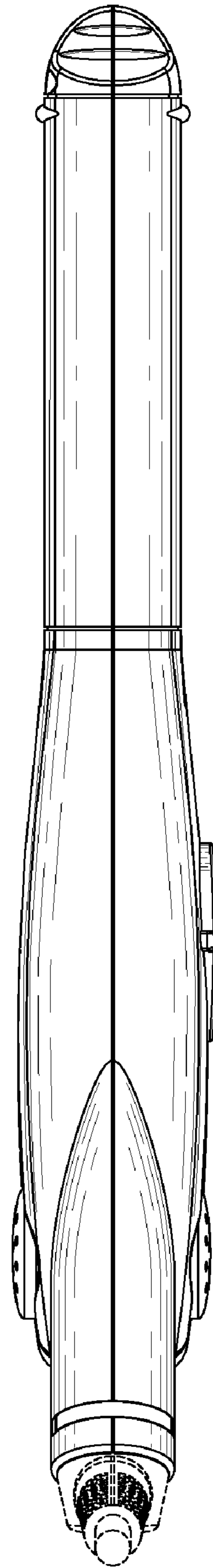


FIG. 6



**FIG. 7**



**FIG. 8**

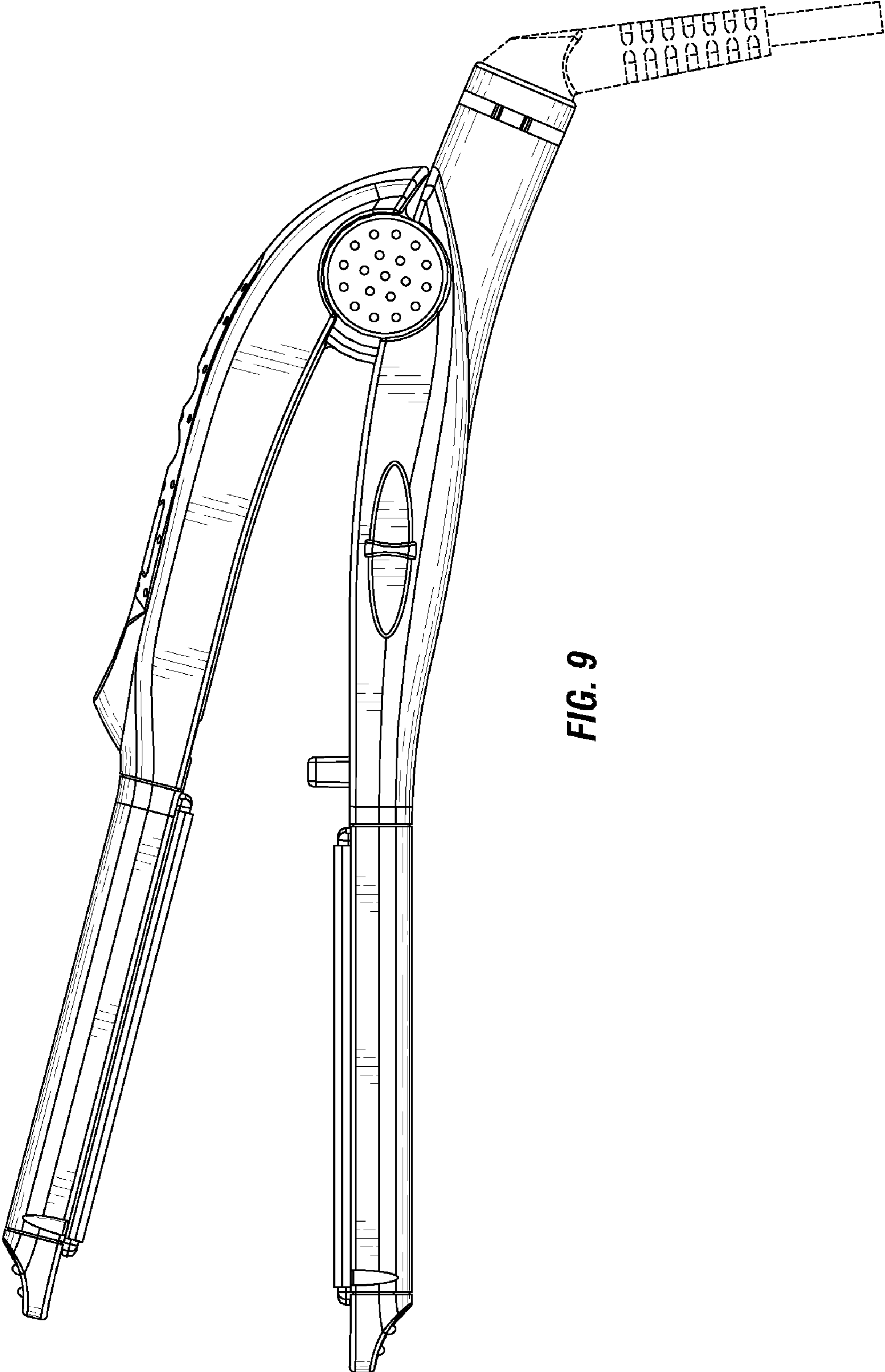


FIG. 9