



US00D606256S

(12) **United States Design Patent**  
**Leung**

(10) **Patent No.:** **US D606,256 S**

(45) **Date of Patent:** **\*\* Dec. 15, 2009**

(54) **STYLER**

(75) Inventor: **Anthony Kit Lun Leung**, North Point (HK)

(73) Assignee: **Conair Corporation**, Stamford, CT (US)

(\*\*) Term: **14 Years**

(21) Appl. No.: **29/340,698**

(22) Filed: **Jul. 23, 2009**

(51) **LOC (9) Cl.** ..... **28-03**

(52) **U.S. Cl.** ..... **D28/35**

(58) **Field of Classification Search** ..... D28/35-38;  
132/222-229, 232, 234, 236, 245; 219/222,  
219/225-226, 227

See application file for complete search history.

(56) **References Cited**

**U.S. PATENT DOCUMENTS**

- D569,549 S \* 5/2008 Leung ..... D28/35
- D581,591 S \* 11/2008 Hein ..... D28/35
- D596,790 S \* 7/2009 Rizzuto ..... D28/35

- D596,795 S \* 7/2009 Keong ..... D28/35
- 2009/0114240 A1 \* 5/2009 Leung ..... 132/224

\* cited by examiner

*Primary Examiner*—Jennifer Rivard

(74) *Attorney, Agent, or Firm*—Lawrence Cruz

(57) **CLAIM**

The ornamental design for a styler, as shown and described.

**DESCRIPTION**

FIG. 1 is a perspective view of a styler showing a new design;

FIG. 2 is a front view thereof in a closed position;

FIG. 3 is a rear view thereof;

FIG. 4 is a right side view thereof;

FIG. 5 is a left side view thereof;

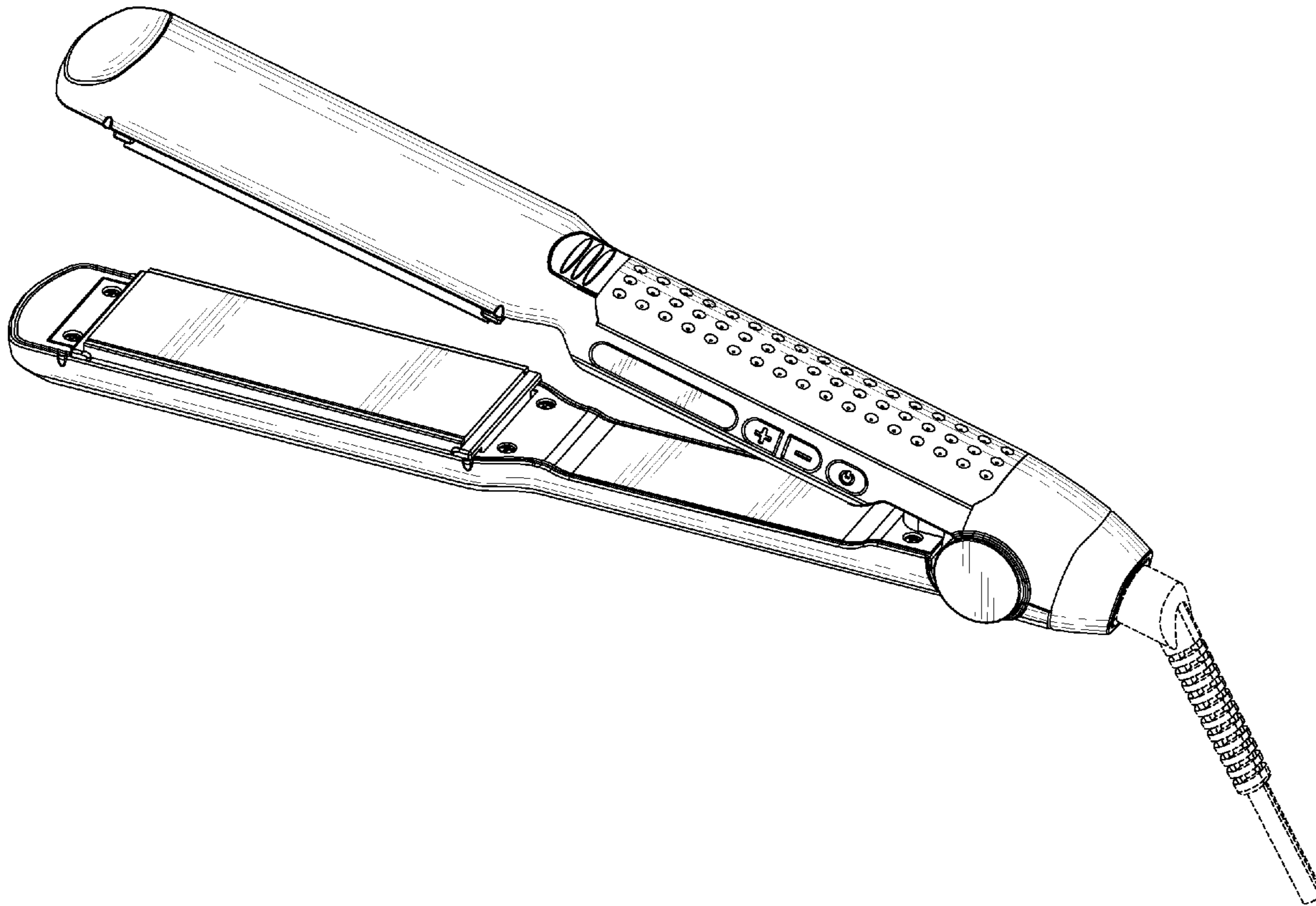
FIG. 6 is a top view thereof;

FIG. 7 is a bottom view thereof; and,

FIG. 8 is a right side view thereof in an open position.

The broken lines are for illustrative purposes only and form no part of the claimed design.

**1 Claim, 5 Drawing Sheets**



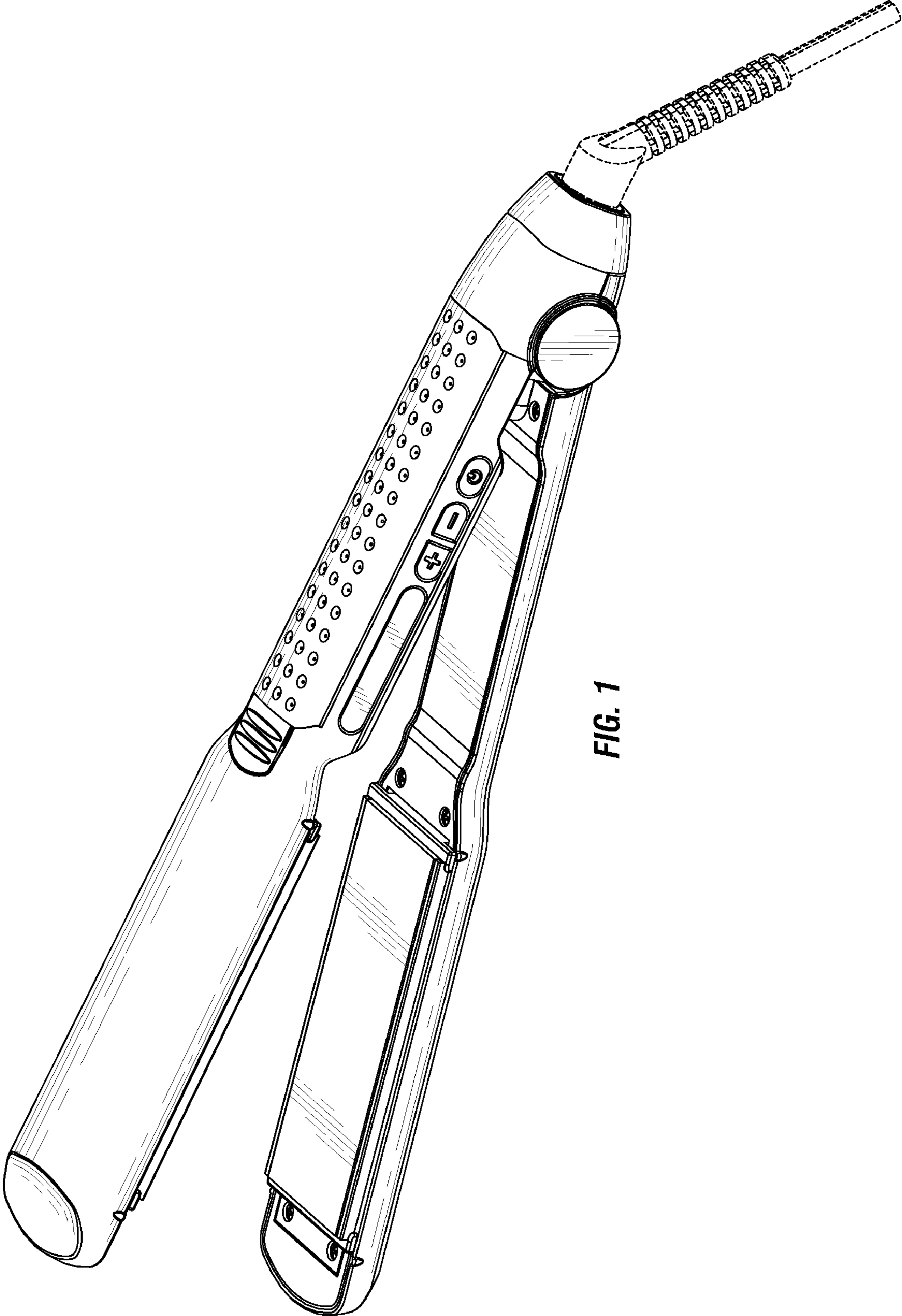
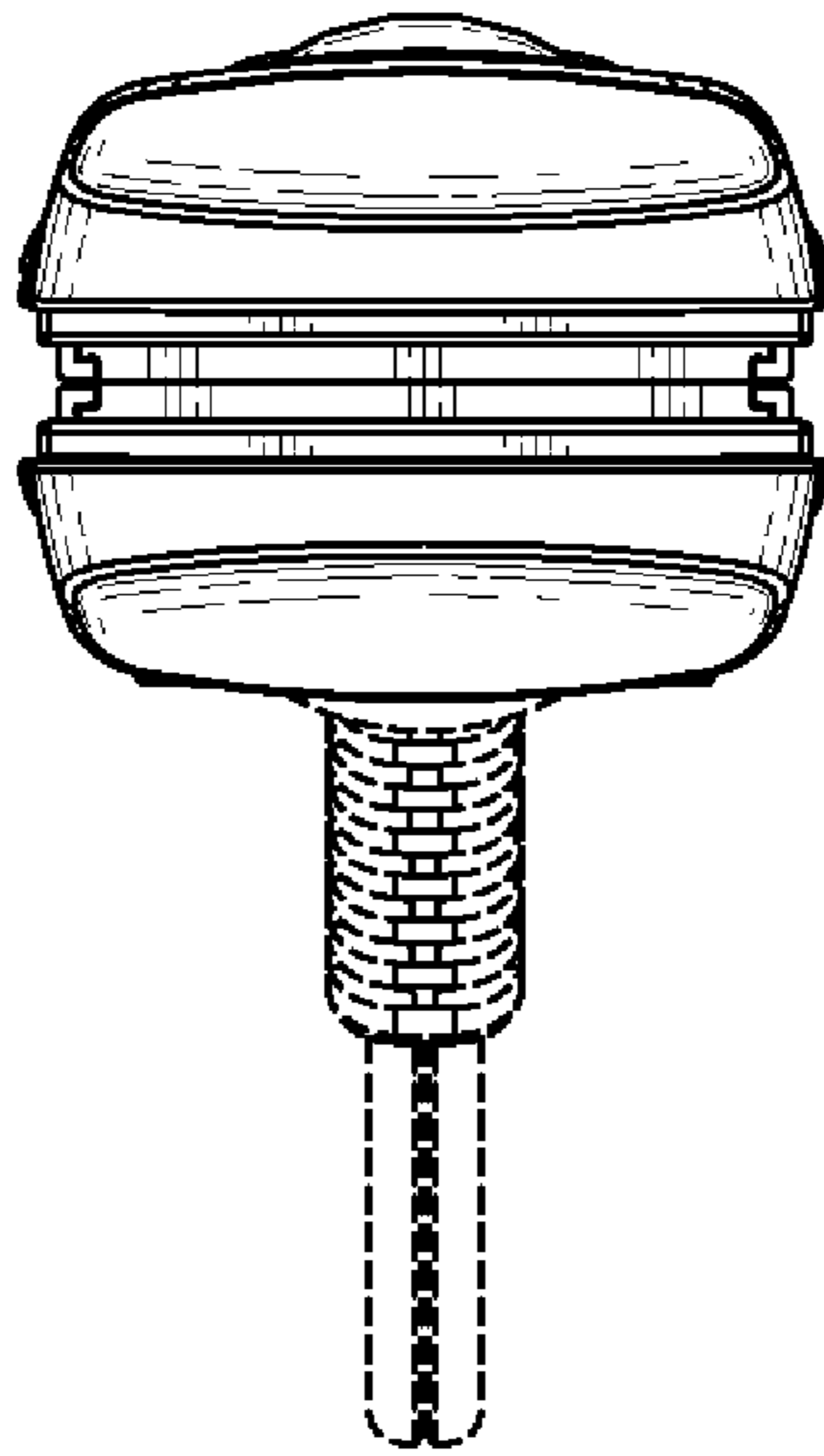
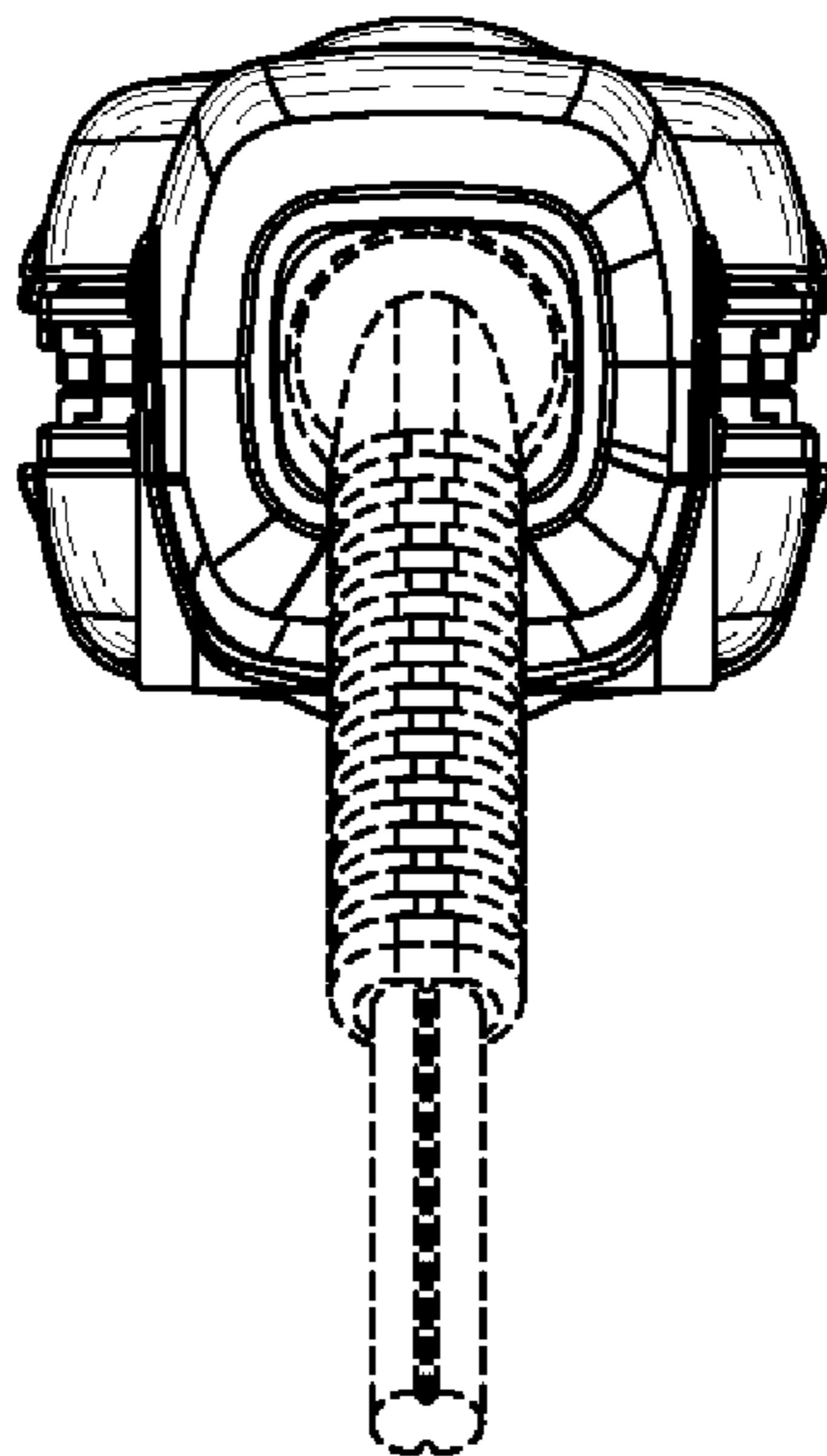


FIG. 1



**FIG. 2**



**FIG. 3**

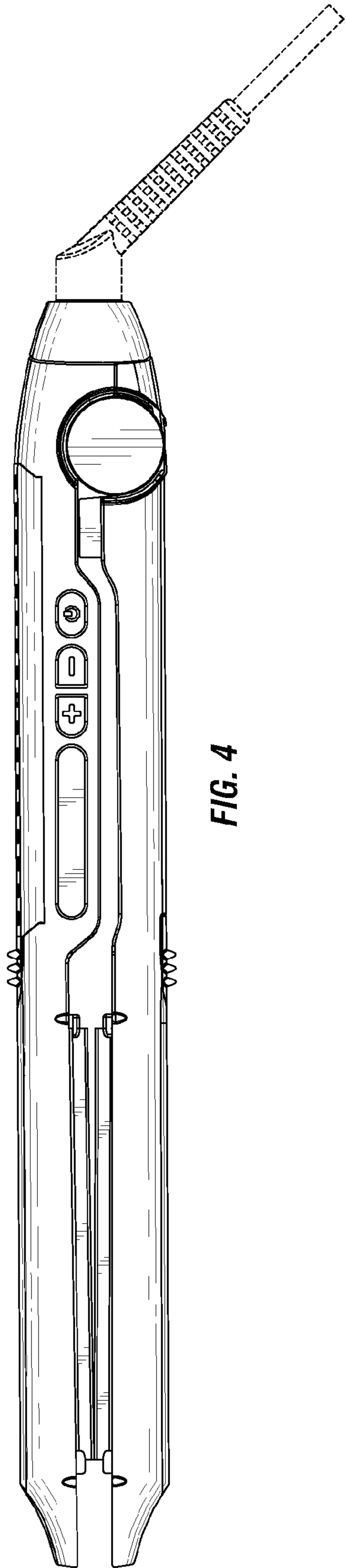


FIG. 4

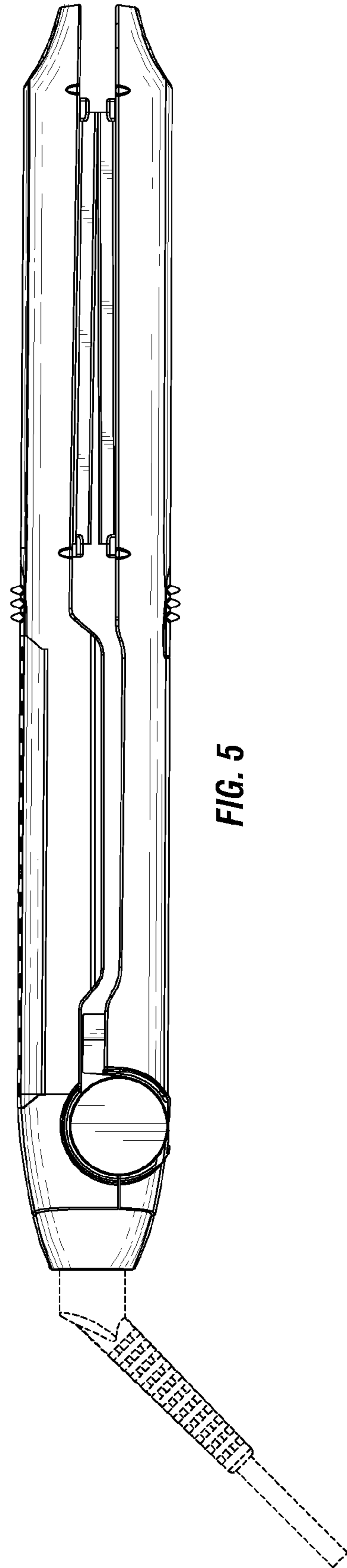
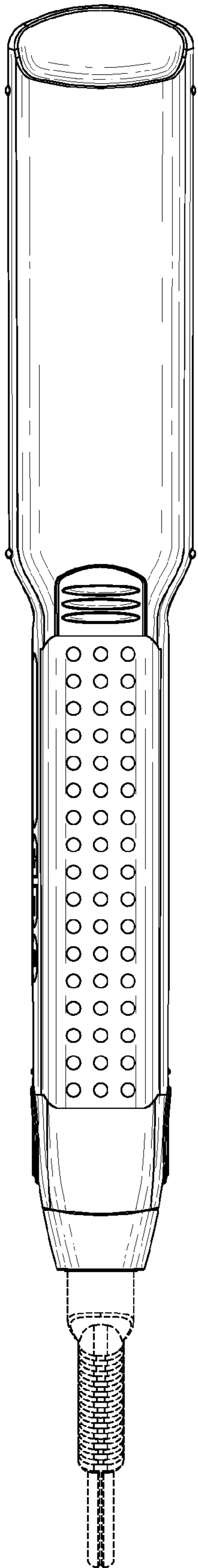
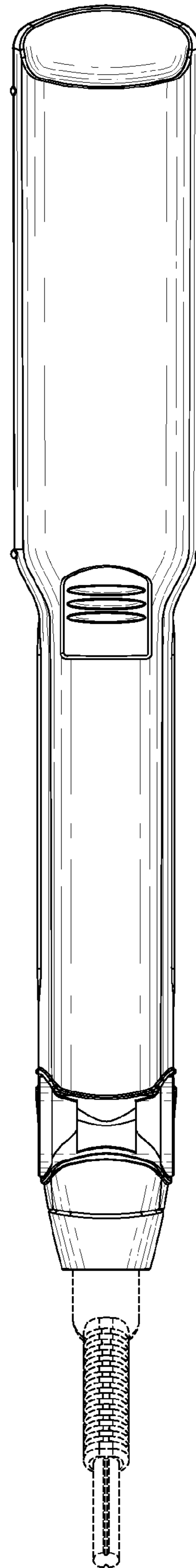


FIG. 5



**FIG. 6**



**FIG. 7**

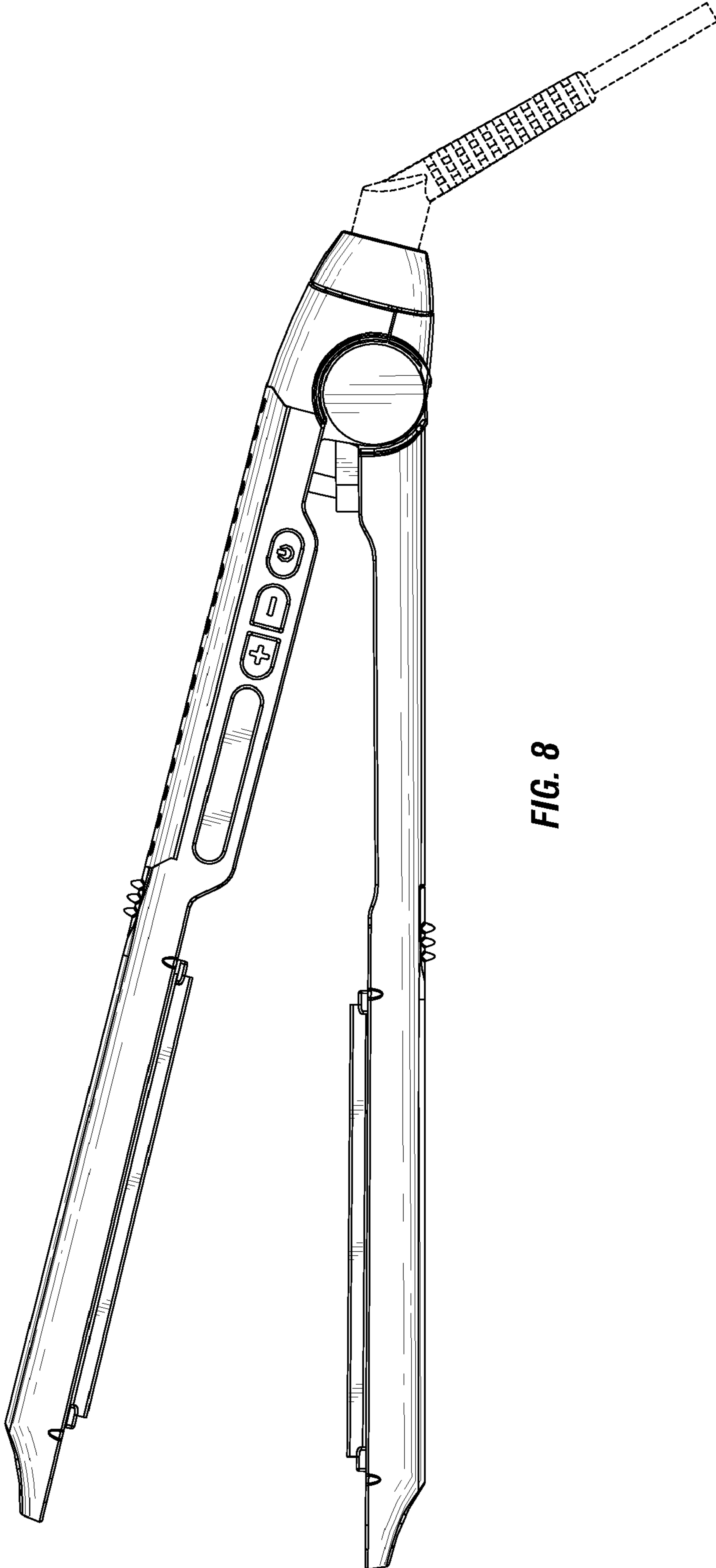


FIG. 8