



US00D606255S

(12) **United States Design Patent**
Leung

(10) **Patent No.:** **US D606,255 S**

(45) **Date of Patent:** **** Dec. 15, 2009**

(54) **STYLER**

(75) **Inventor:** **Anthony Kit Lun Leung**, North Point
(HK)

(73) **Assignee:** **Conair Corporation**, Stamford, CT
(US)

(**) **Term:** **14 Years**

(21) **Appl. No.:** **29/340,694**

(22) **Filed:** **Jul. 23, 2009**

(51) **LOC (9) Cl.** **28-03**

(52) **U.S. Cl.** **D28/35**

(58) **Field of Classification Search** D28/35-38;
132/222-229, 232, 234, 236, 245; 219/222,
219/225-226, 227

See application file for complete search history.

(56) **References Cited**

U.S. PATENT DOCUMENTS

| | | | | |
|--------------|---------|-------|-------|--------|
| D559,448 S * | 1/2008 | Leung | | D28/35 |
| D561,936 S * | 2/2008 | Leung | | D28/35 |
| D570,043 S * | 5/2008 | Leung | | D28/35 |
| D570,542 S * | 6/2008 | Leung | | D28/35 |
| D581,591 S * | 11/2008 | Hein | | D28/35 |

| | | | | |
|-------------------|--------|-------|-------|---------|
| D596,793 S * | 7/2009 | Kwok | | D28/35 |
| D596,795 S * | 7/2009 | Keong | | D28/35 |
| 2009/0114240 A1 * | 5/2009 | Leung | | 132/224 |

* cited by examiner

Primary Examiner—Jennifer Rivard

(74) *Attorney, Agent, or Firm*—Lawrence Cruz

(57) **CLAIM**

The ornamental design for a styler, as shown and described.

DESCRIPTION

FIG. 1 is a perspective view of a styler showing a new design;

FIG. 2 is a front view thereof in a closed position;

FIG. 3 is a bottom view thereof;

FIG. 4 is a left side view thereof;

FIG. 5 is a right side view thereof;

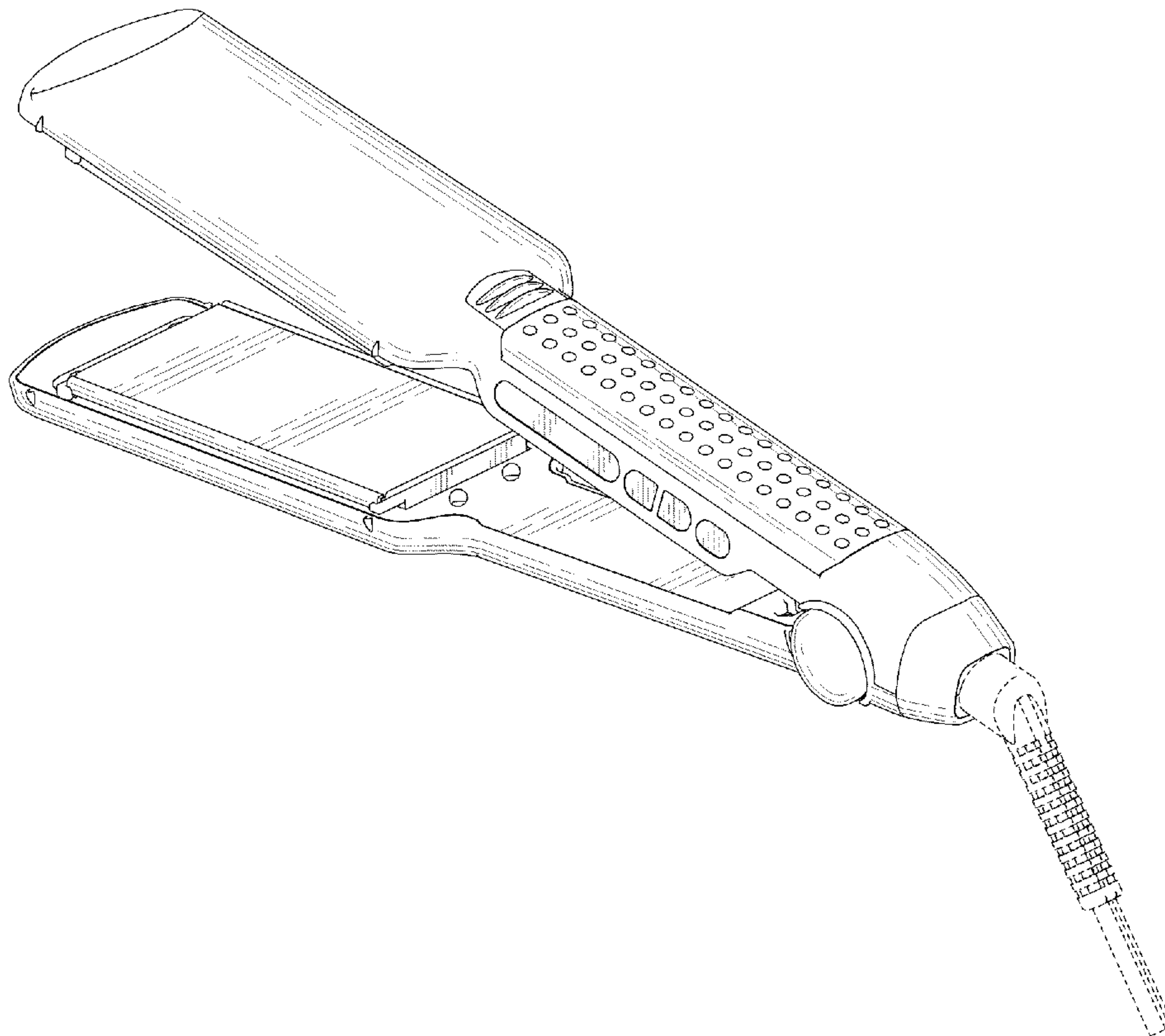
FIG. 6 is a front view thereof;

FIG. 7 is a rear view thereof; and,

FIG. 8 is an additional right side view thereof.

The broken lines are for illustrative purposes only and form no part of the claimed design.

1 Claim, 5 Drawing Sheets



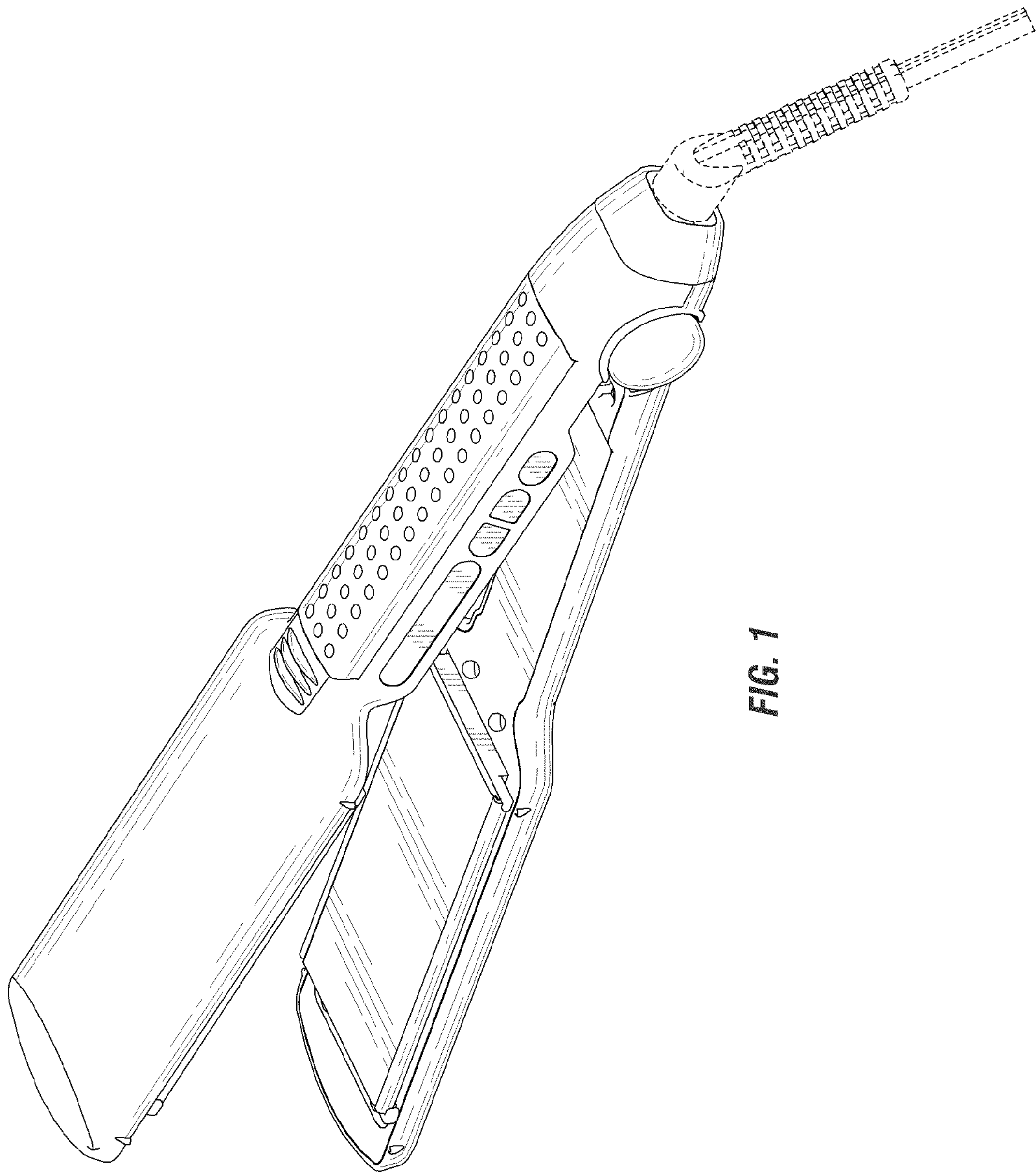


FIG. 1

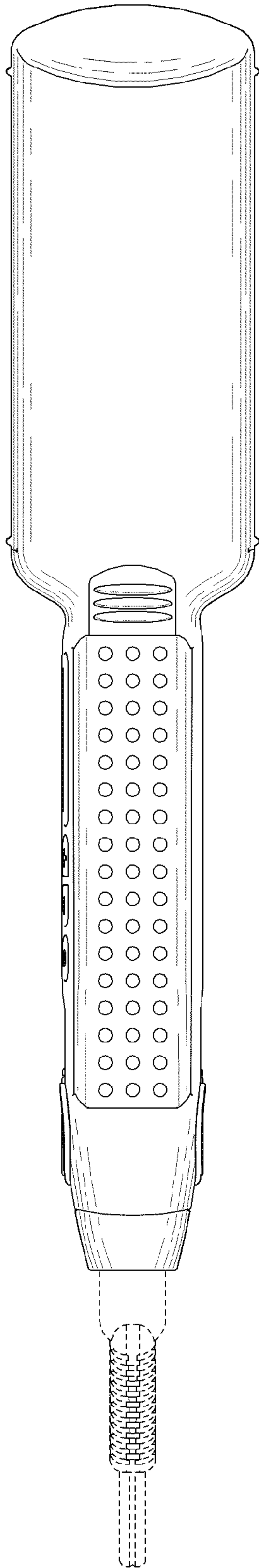


FIG. 2

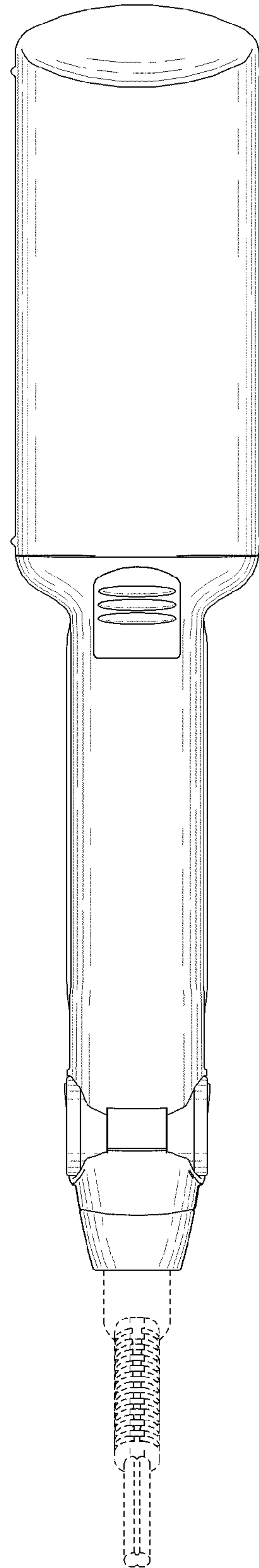


FIG. 3

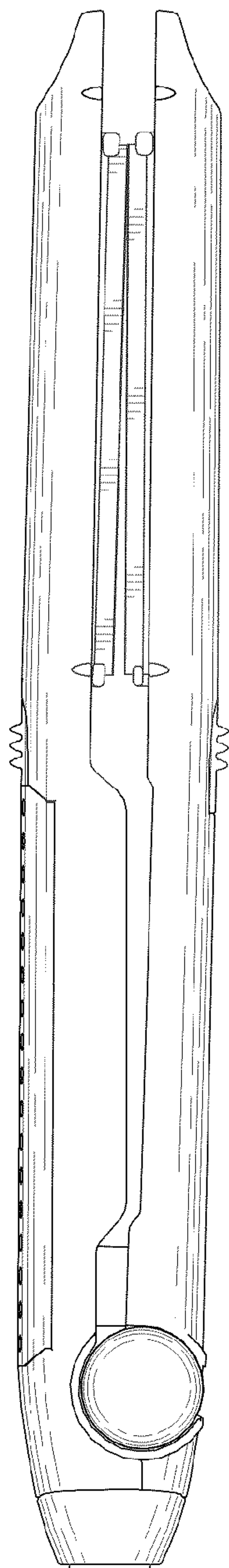


FIG. 4

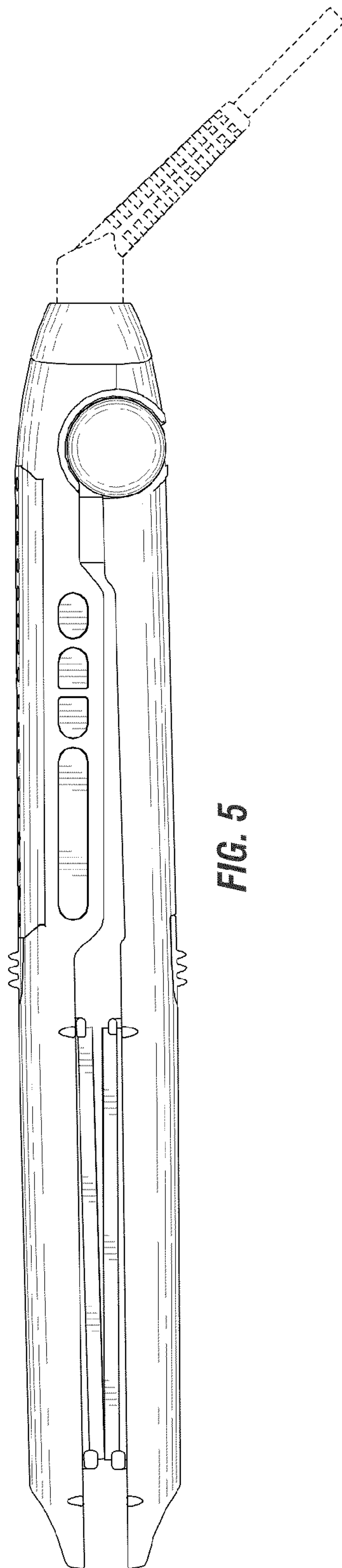


FIG. 5

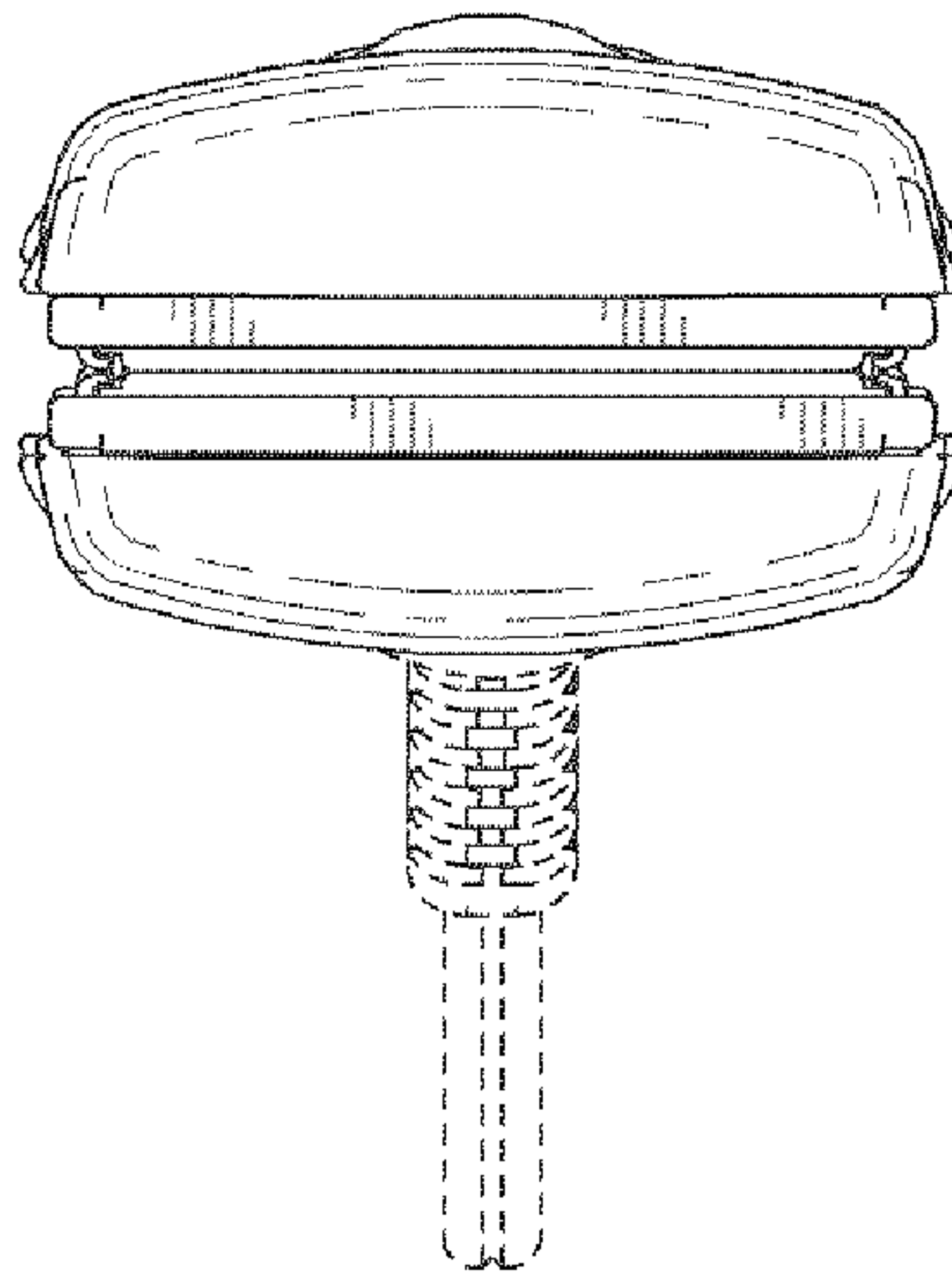


FIG. 6

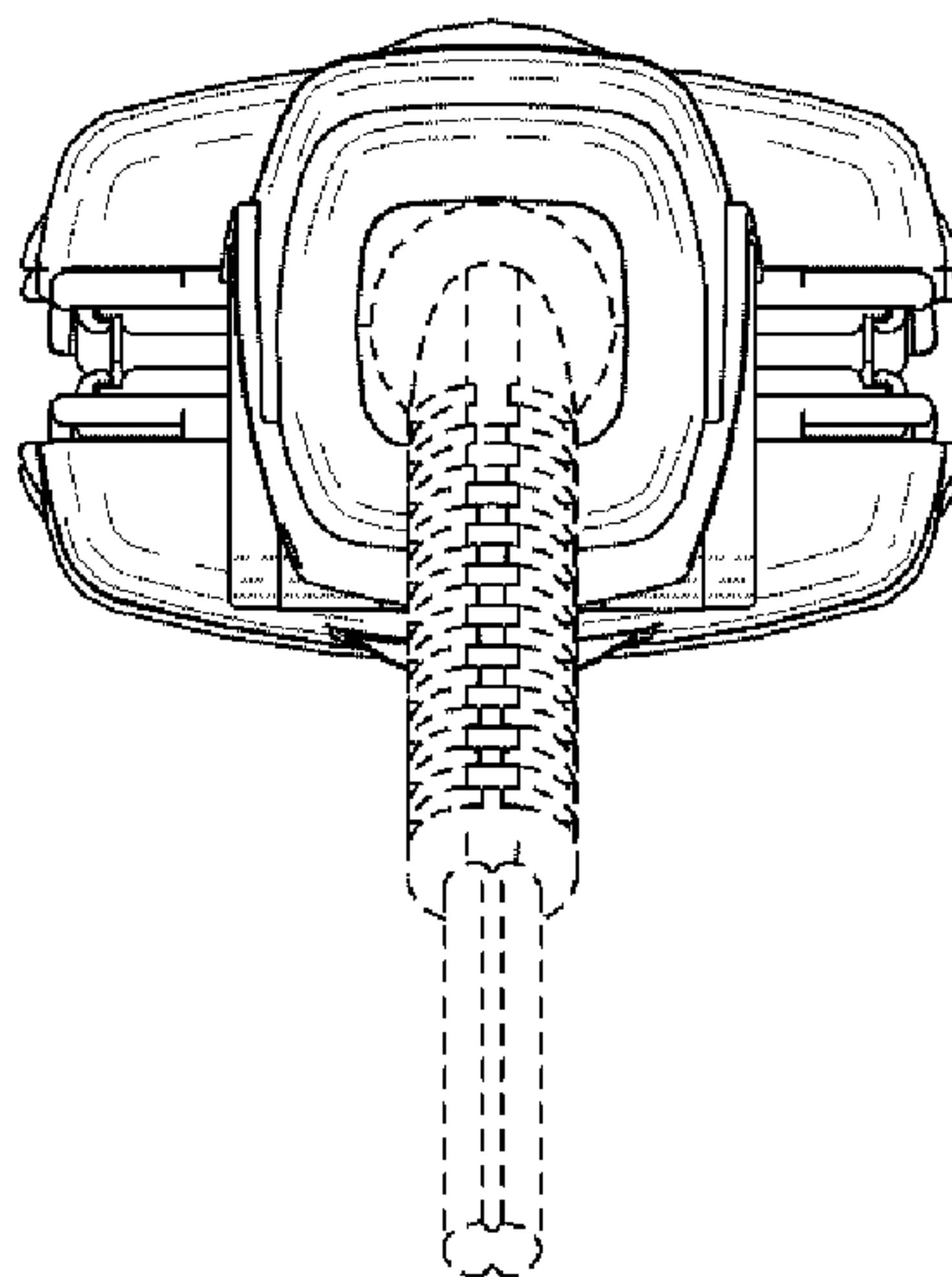


FIG. 7

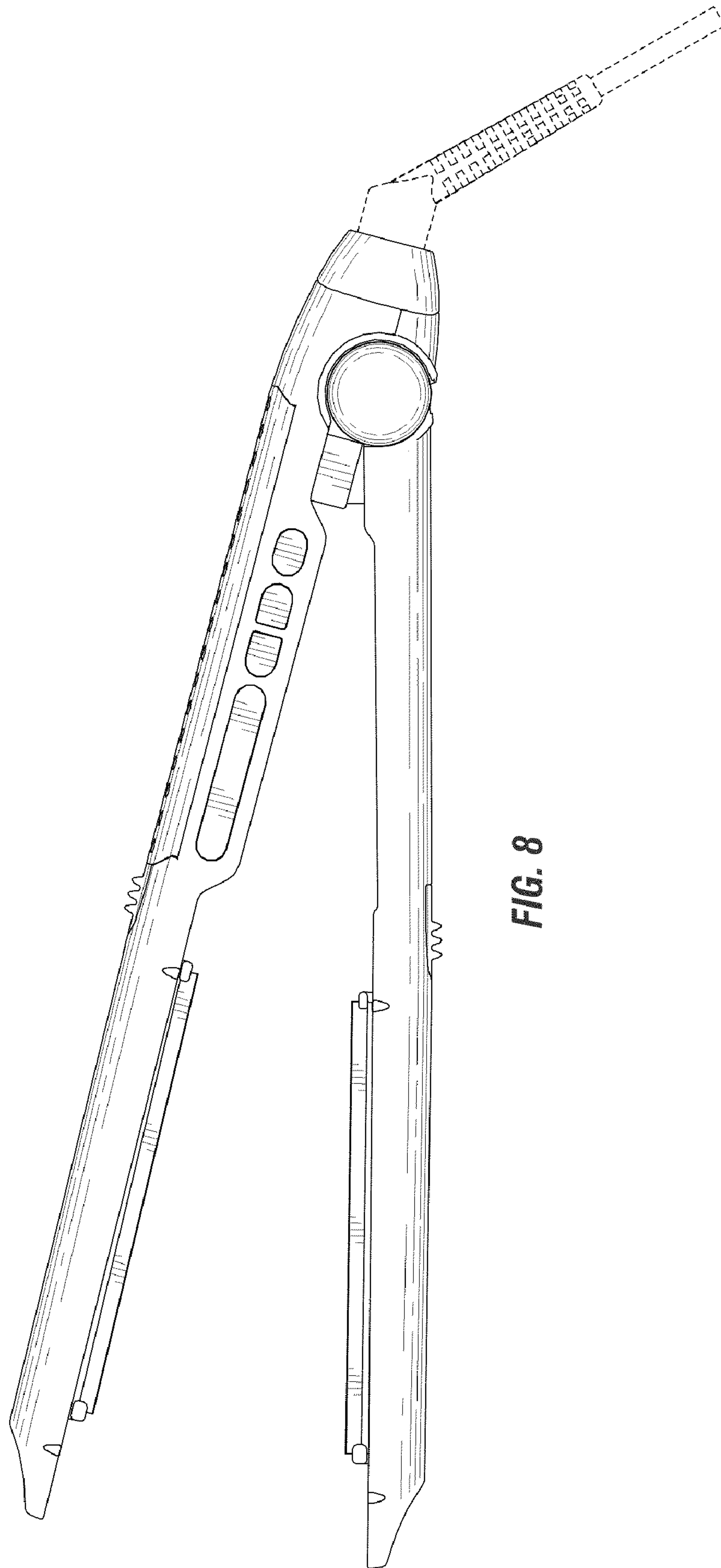


FIG. 8