



US00D606254S

(12) **United States Design Patent**
Leung

(10) **Patent No.:** **US D606,254 S**

(45) **Date of Patent:** **** Dec. 15, 2009**

(54) **STYLER**

2009/0114240 A1* 5/2009 Leung 132/224

(75) Inventor: **Anthony Kit Lun Leung**, North Point
(HK)

* cited by examiner

Primary Examiner—Jennifer Rivard

(73) Assignee: **Conair Corporation**, Stamford, CT
(US)

(74) *Attorney, Agent, or Firm*—Lawrence Cruz

(**) Term: **14 Years**

(57) **CLAIM**

The ornamental design for a styler, as shown and described.

(21) Appl. No.: **29/340,693**

DESCRIPTION

(22) Filed: **Jul. 23, 2009**

FIG. 1 is a perspective view of a styler showing a new design;

(51) **LOC (9) Cl.** **28-03**

FIG. 2 is a front view thereof in a closed position;

(52) **U.S. Cl.** **D28/35**

FIG. 3 is a rear view thereof;

(58) **Field of Classification Search** D28/35–38;
132/222–229, 232, 234, 236, 245; 219/222,
219/225–226, 227

FIG. 4 is a right side view thereof;

FIG. 5 is a left side view thereof;

See application file for complete search history.

FIG. 6 is a top view thereof;

FIG. 7 is a bottom view thereof; and,

FIG. 8 is an additional right side view thereof.

(56) **References Cited**

The broken lines are for illustrative purposes only and form no part of the claimed design.

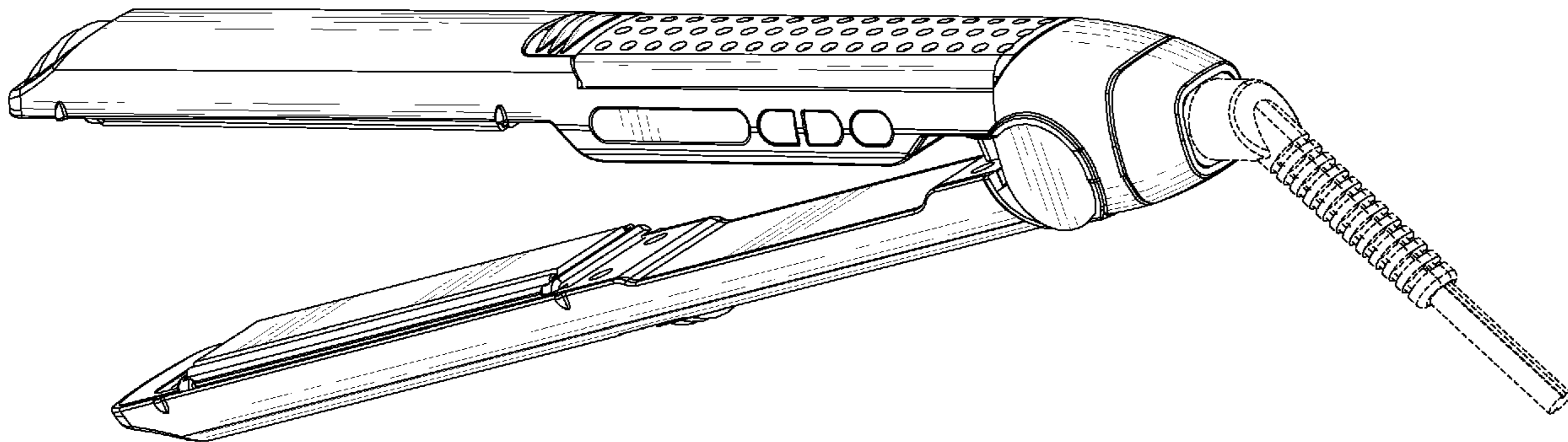
U.S. PATENT DOCUMENTS

D569,549 S * 5/2008 Leung D28/35

D596,790 S * 7/2009 Rizzuto D28/35

D596,794 S * 7/2009 Keong D28/35

1 Claim, 5 Drawing Sheets



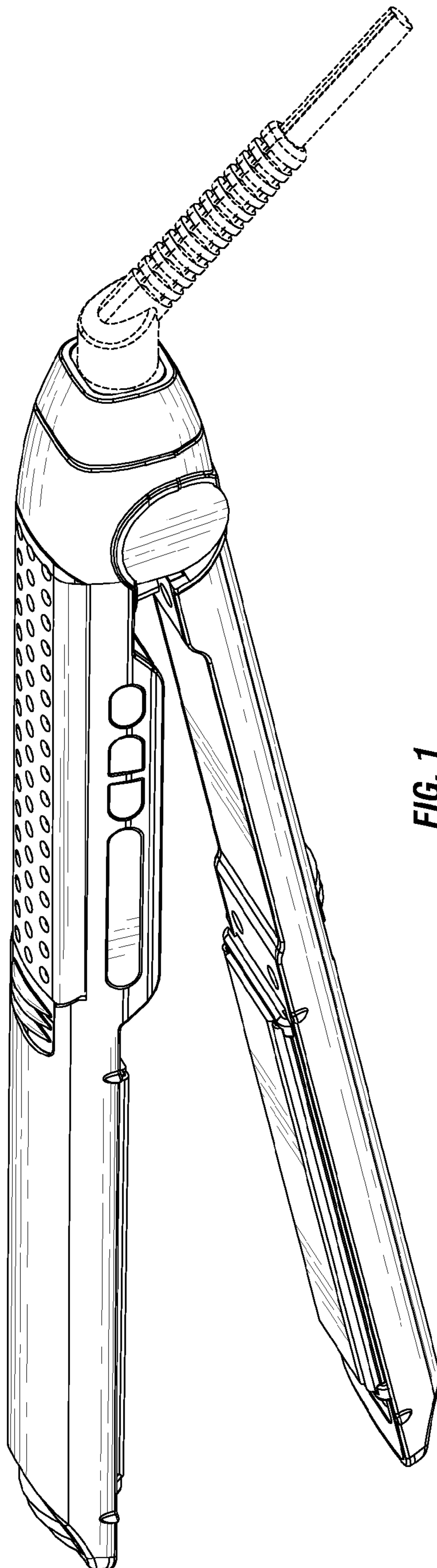


FIG. 1

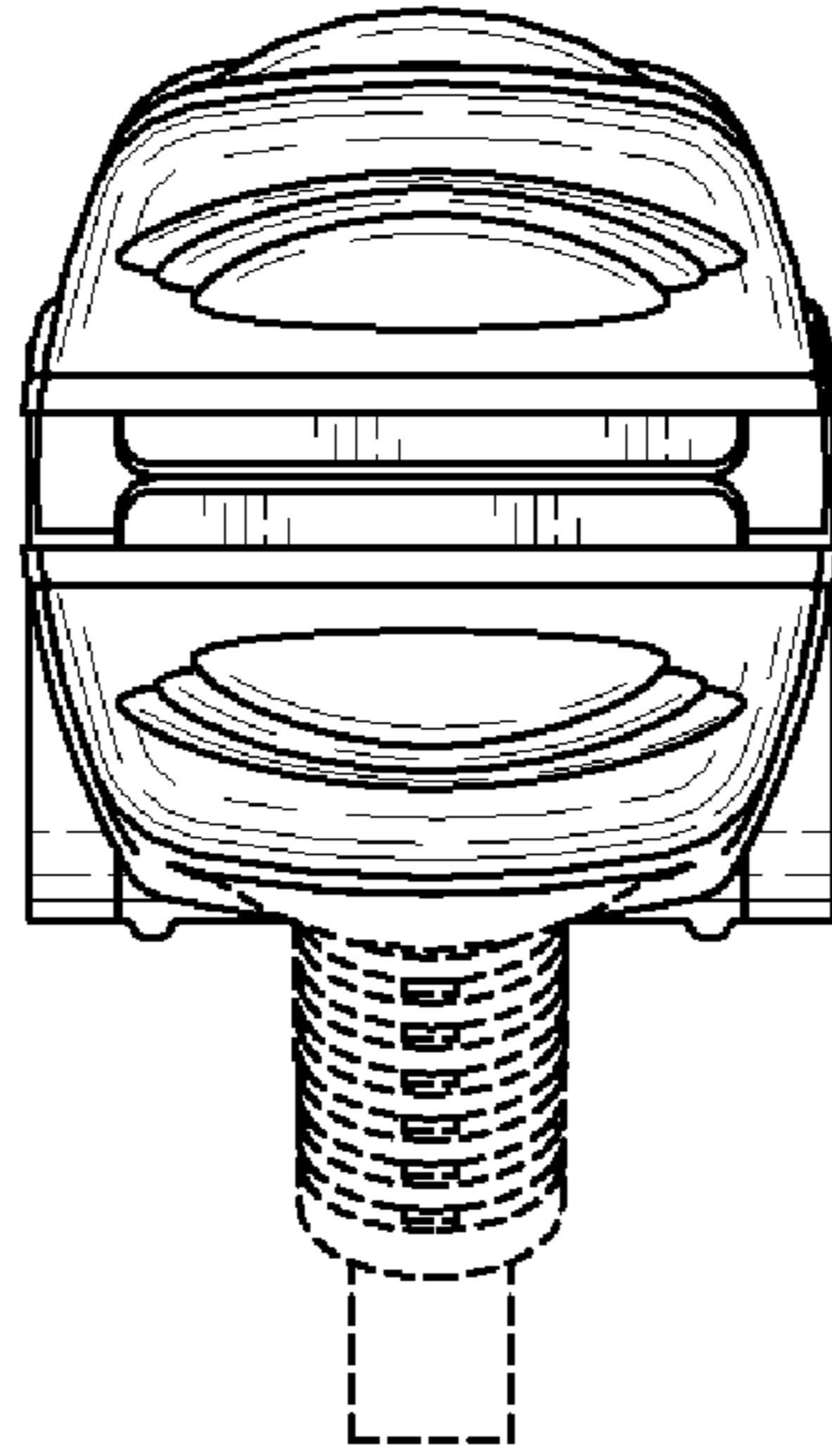


FIG. 2

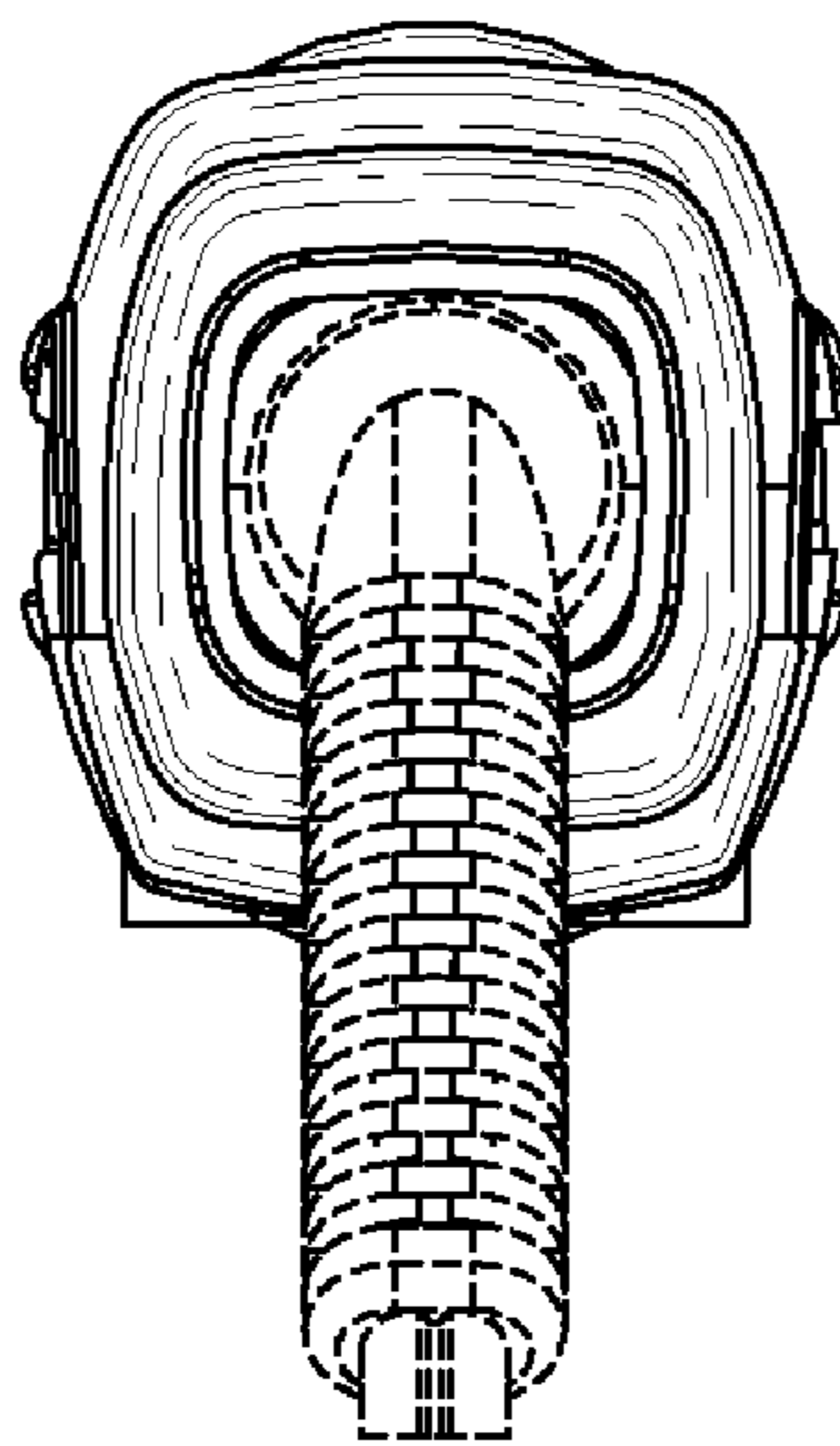


FIG. 3

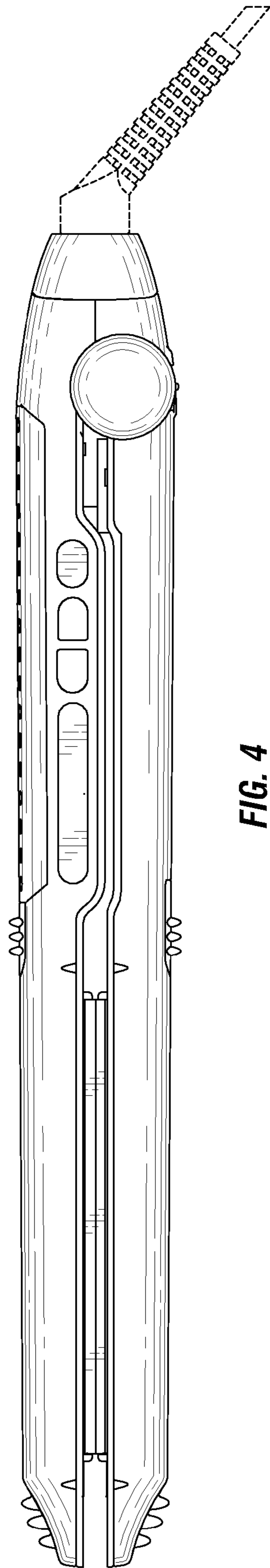


FIG. 4

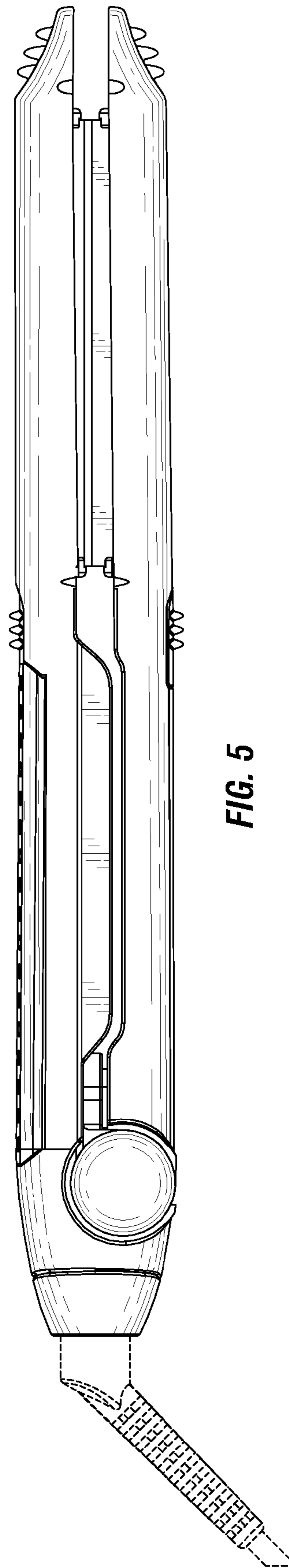


FIG. 5

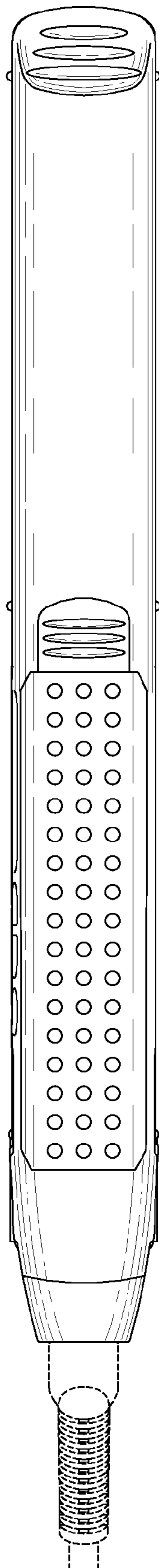


FIG. 6

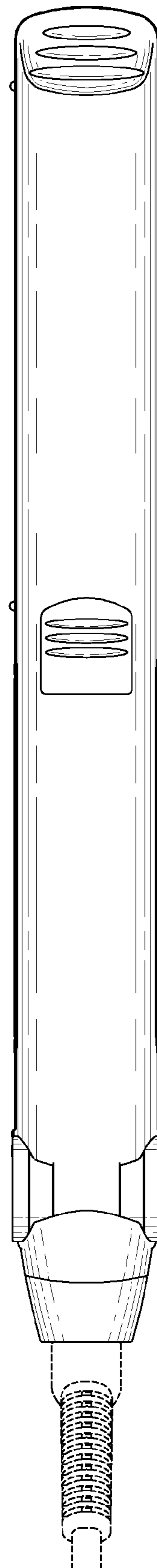


FIG. 7

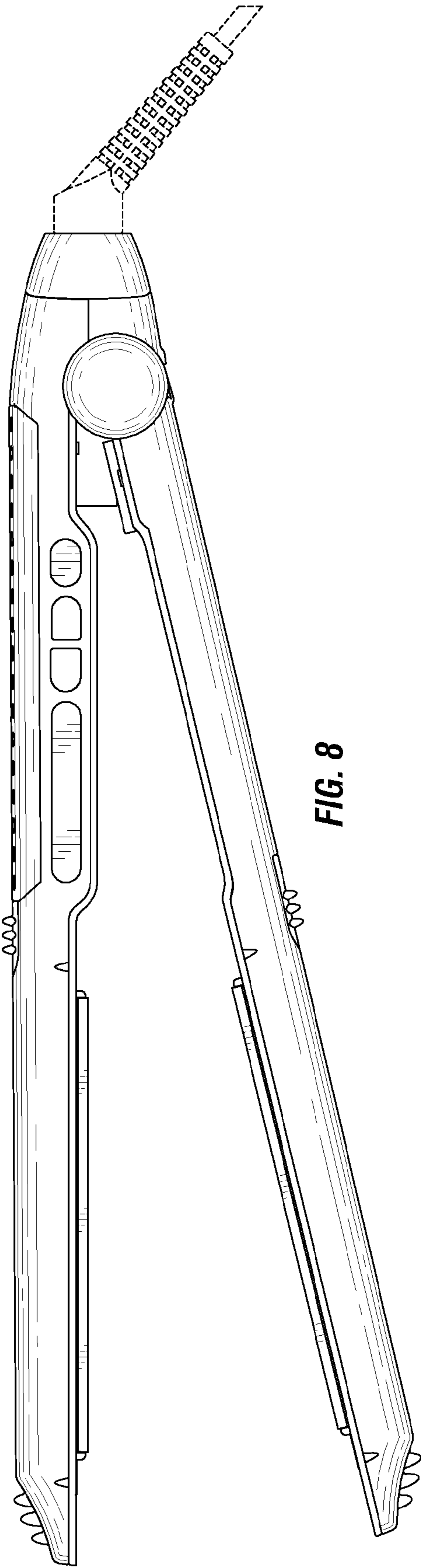


FIG. 8